

US00D568692S

(12) **United States Design Patent**  
**Lam**

(10) **Patent No.:** **US D568,692 S**

(45) **Date of Patent:** **\*\* May 13, 2008**

(54) **BIG SPOOL BUBBLE GUM TAPE DISPENSER**

D470,408 S \* 2/2003 Garrant et al. .... D9/731  
D484,795 S \* 1/2004 Barnes et al. .... D9/414

(76) Inventor: **Samy Hak-tang Lam**, Block A, 11/F,  
Shun Wai Industrial Building, 15 Yuk  
Yat Street Tokwawan, Kowloon (HK)

\* cited by examiner

*Primary Examiner*—Terry A Wallace  
(74) *Attorney, Agent, or Firm*—Law Office of Sergei Orel,  
LLC

(\*\*) Term: **14 Years**

(21) Appl. No.: **29/271,056**

(57) **CLAIM**

(22) Filed: **Jan. 9, 2007**

The ornamental design for a big spool bubble gum tape dispenser, as shown and described.

(51) **LOC (8) Cl.** ..... **07-01**

(52) **U.S. Cl.** ..... **D7/629**

(58) **Field of Classification Search** ..... D7/629,  
D7/628, 601, 602; D9/730, 731, 761, 414,  
D9/419; 220/826, 4.21; 206/800, 225–227,  
206/702, 389, 398, 400, 409; D3/302, 203.2;  
D6/515

See application file for complete search history.

**DESCRIPTION**

FIG. 1 is a front view of the big spool bubble gum tape dispenser showing my new design;

FIG. 2 is a top view thereof;

FIG. 3 is a back view thereof;

FIG. 4 is a bottom view thereof;

FIG. 5 is a side view thereof;

FIG. 6 is an opposite side view thereof;

FIG. 7 is a perspective view thereof;

FIG. 8 is a perspective view in alternative position with big spool bubble gum tape dispenser opened; and,

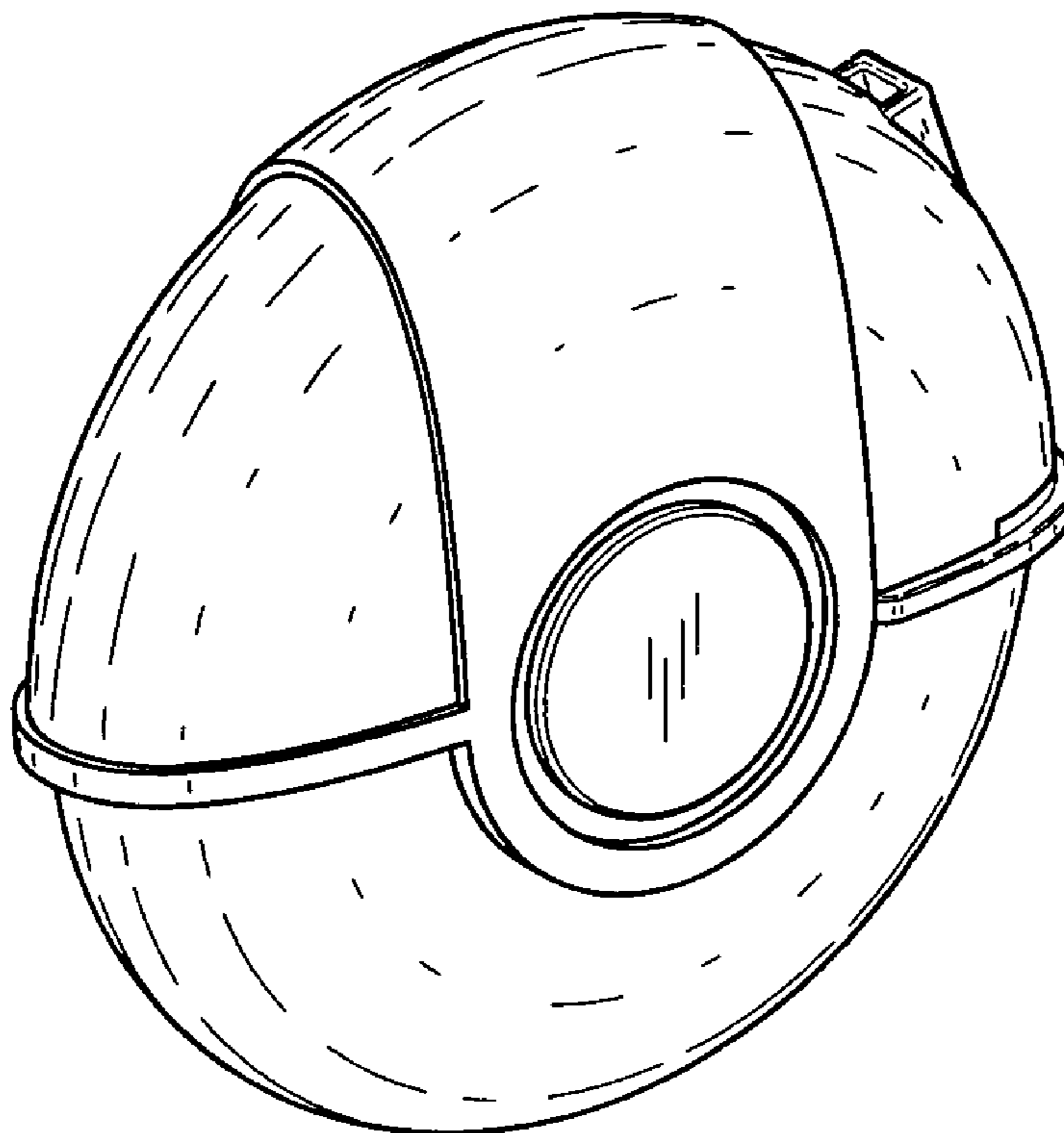
FIG. 9 is a perspective view of disassembled big spool bubble gum tape dispenser.

(56) **References Cited**

U.S. PATENT DOCUMENTS

- D291,843 S \* 9/1987 Searle ..... D3/302
- 4,936,479 A \* 6/1990 Levy et al. .... 220/4.21
- D324,997 S \* 3/1992 Jones ..... D9/414
- D340,625 S \* 10/1993 Wang ..... D7/629
- D360,788 S \* 8/1995 Cousins ..... D6/515
- D382,175 S \* 8/1997 Green ..... D7/629
- D431,458 S \* 10/2000 Bried et al. .... D3/203.2
- D441,259 S \* 5/2001 Molenaar ..... D7/629

**1 Claim, 5 Drawing Sheets**



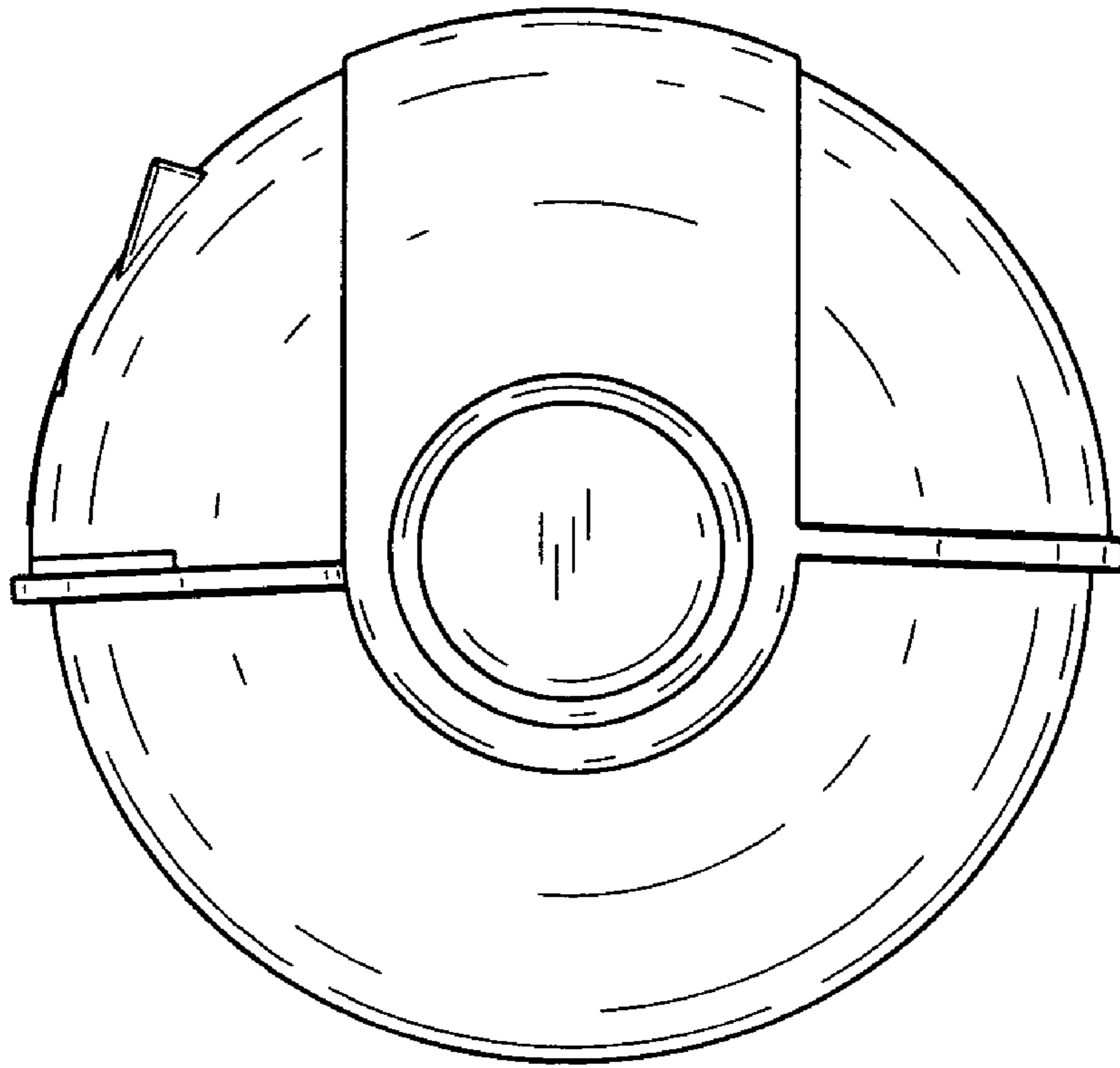


Fig.1

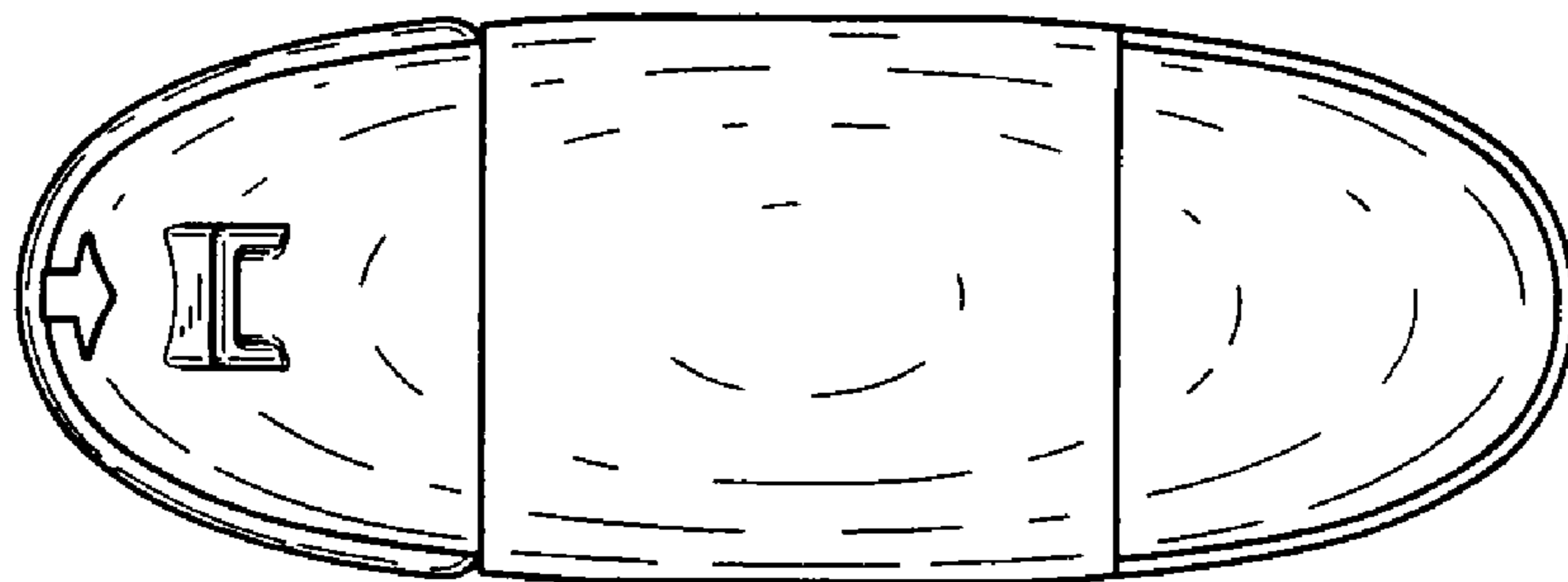


Fig.2

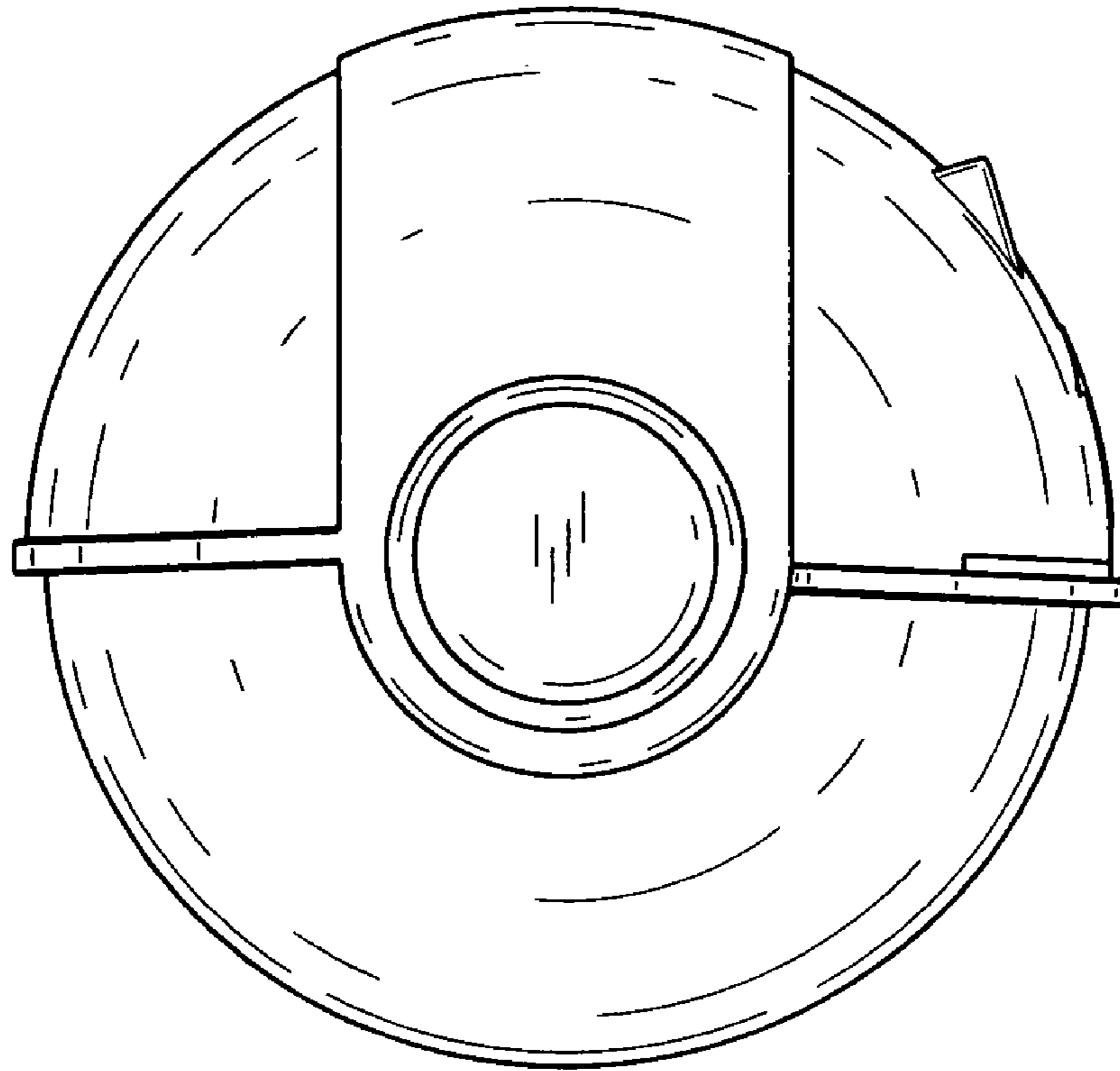


Fig.3

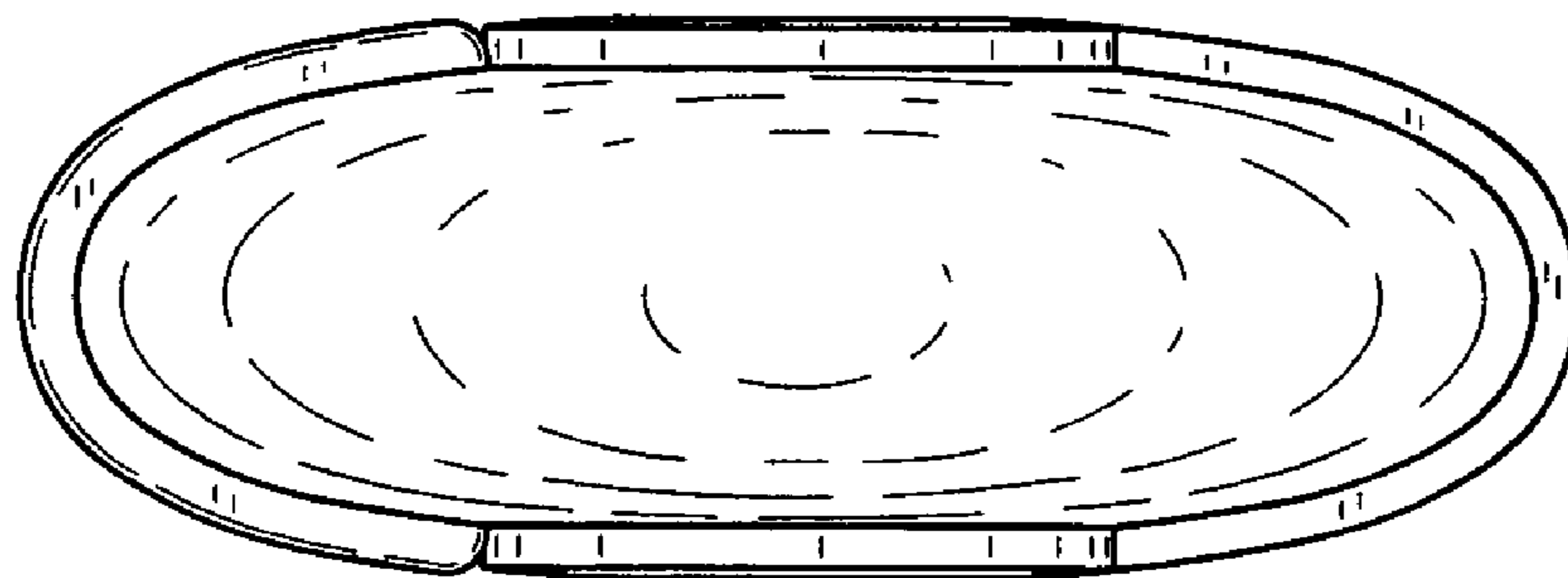


Fig.4

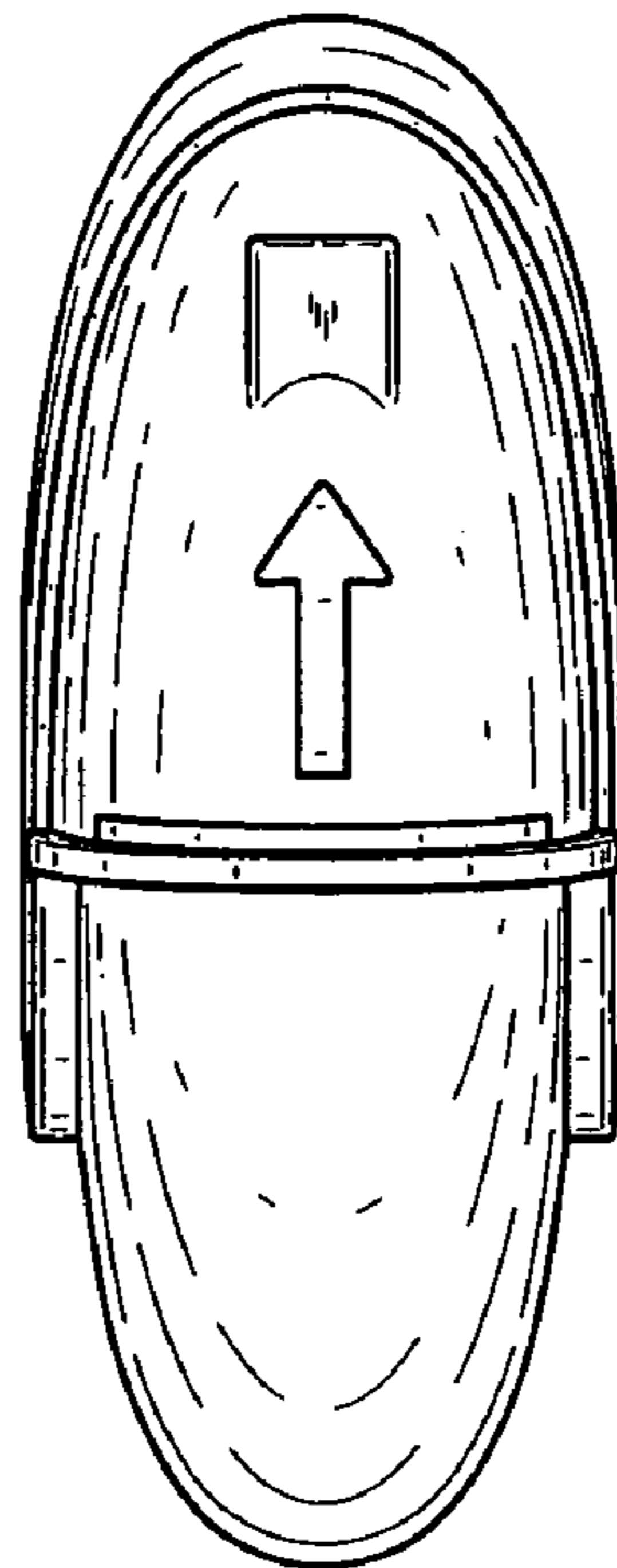


Fig.5

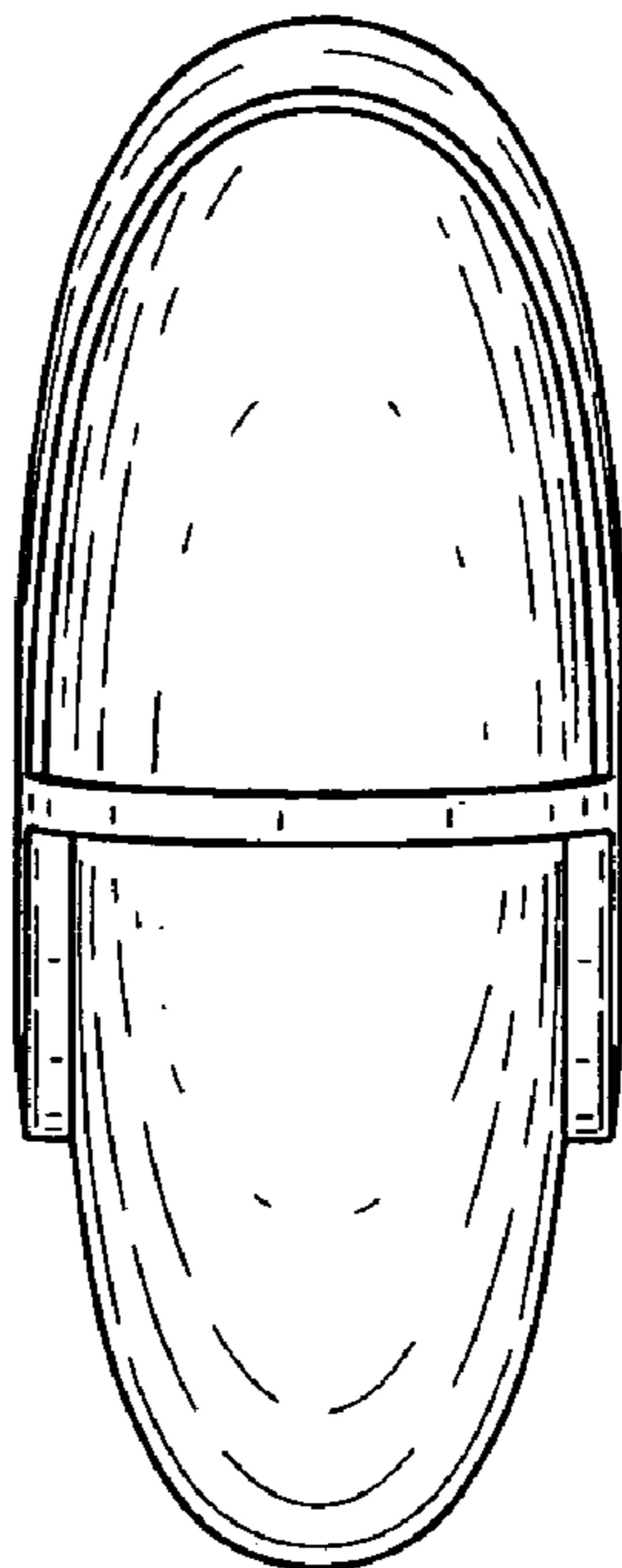


Fig.6

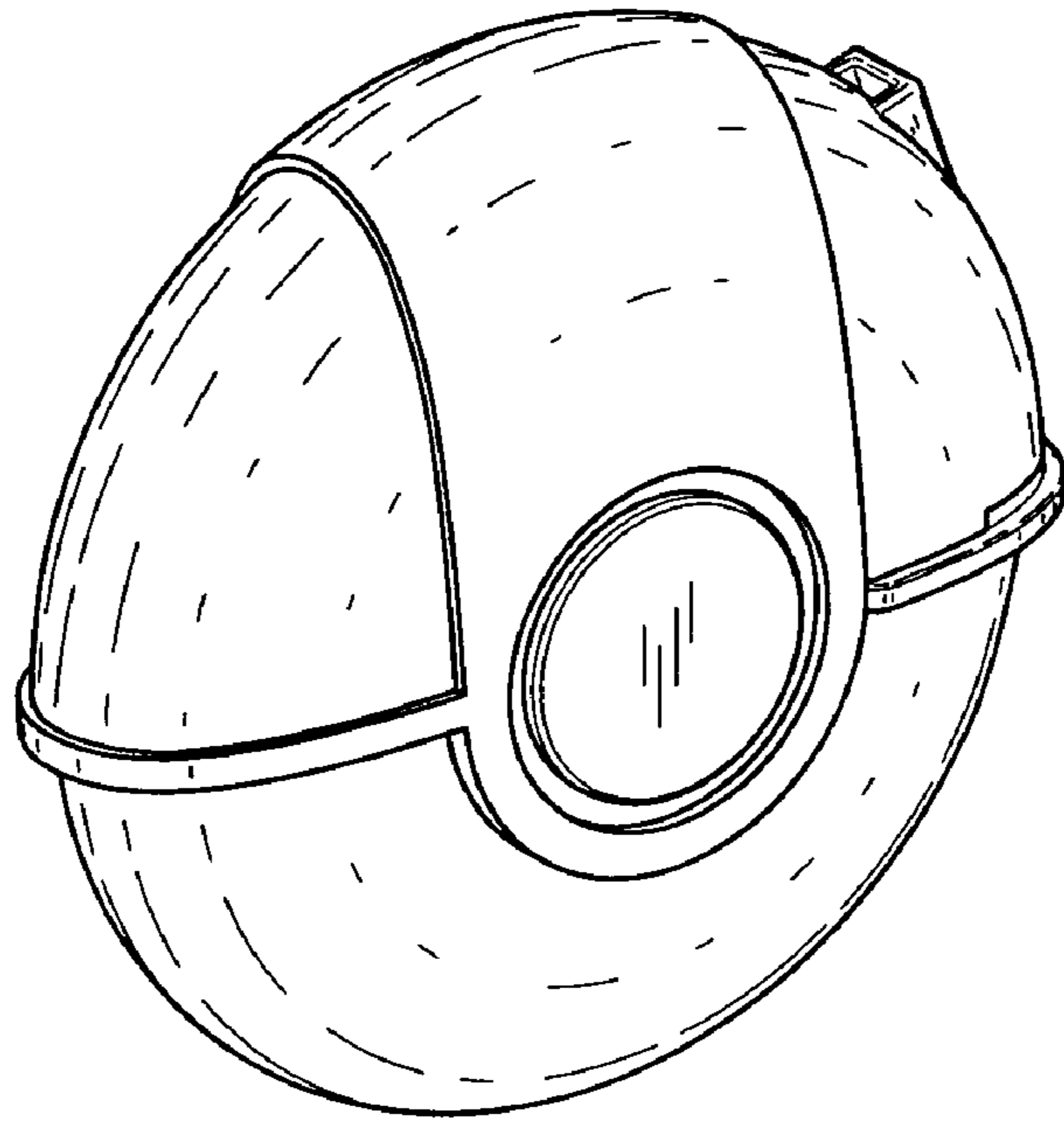


Fig.7

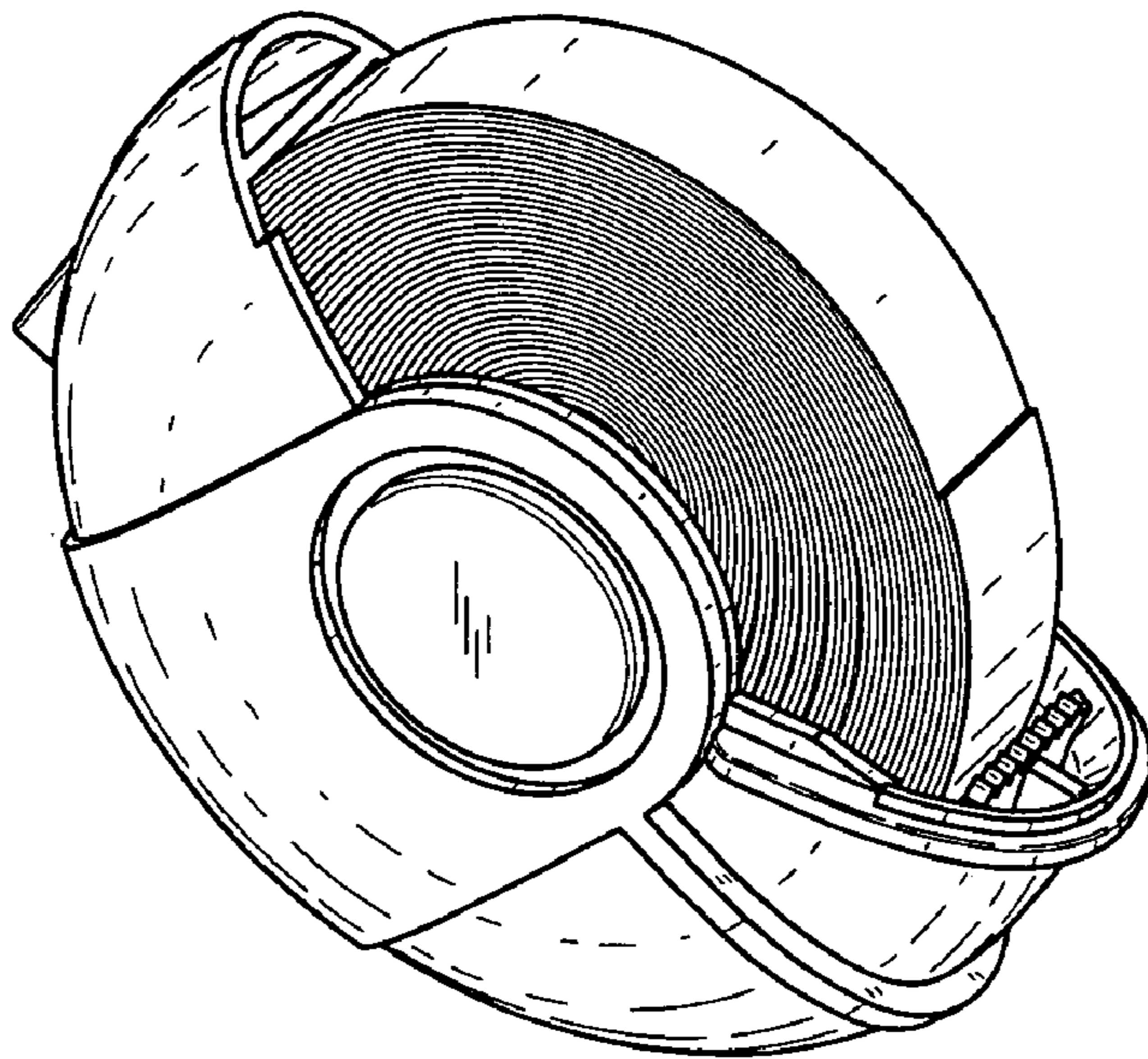


Fig.8

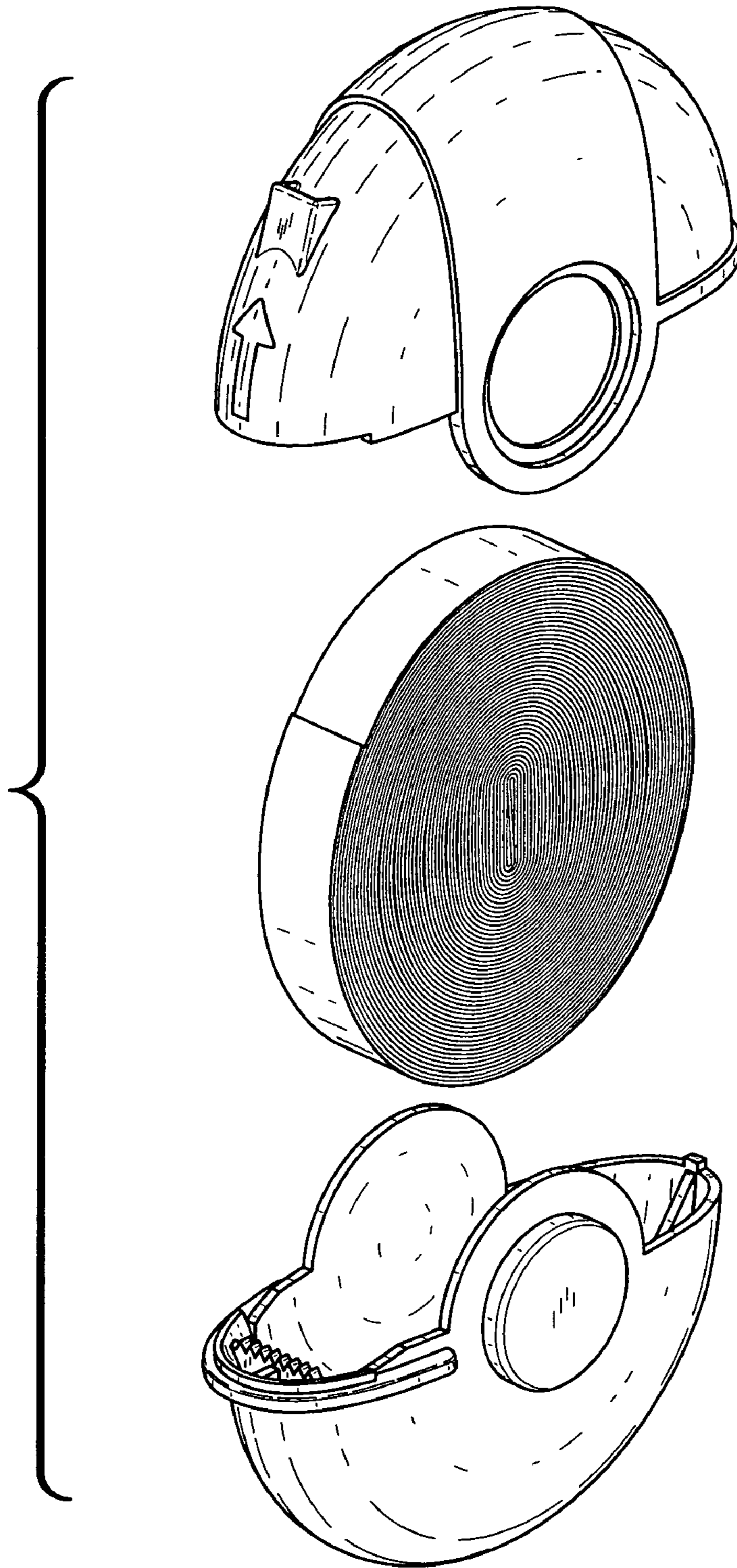


Fig.9