

US00D568689S

(12) **United States Design Patent**  
**Deeds**

(10) **Patent No.:** **US D568,689 S**

(45) **Date of Patent:** **\*\* May 13, 2008**

(54) **DISPENSING CLOSURE**

(75) Inventor: **M. Rinley Deeds**, Felton, CA (US)

(73) Assignee: **JohnsonDiversey, Inc.**, Sturtevant, WI (US)

(\*\*) Term: **14 Years**

(21) Appl. No.: **29/296,232**

(22) Filed: **Oct. 16, 2007**

**Related U.S. Application Data**

(63) Continuation of application No. 29/258,031, filed on Apr. 14, 2006, now Pat. No. Des. 557,988.

(51) **LOC (8) Cl.** ..... **07-01**

(52) **U.S. Cl.** ..... **D7/590**

(58) **Field of Classification Search** ..... D7/589;  
D6/542-545; 215/252; 222/158, 181.3,  
222/548, 444, 568, 181.1, 180, 173, 461  
See application file for complete search history.

(56) **References Cited**

**U.S. PATENT DOCUMENTS**

2,865,537	A	12/1958	Jackson	.....	222/214
3,204,833	A *	9/1965	Weitzner	.....	222/355
D204,310	S *	4/1966	Scheurn	.....	D7/589
D210,848	S *	4/1968	Robb	.....	D7/589
4,214,678	A	7/1980	Patrinos	.....	222/149
4,243,158	A	1/1981	Negosta	.....	222/184
D286,728	S *	11/1986	Elmore	.....	D7/589
5,106,239	A	4/1992	Krebsbach	.....	406/63
D345,283	S *	3/1994	Papanicholas	.....	D7/589
5,469,992	A	11/1995	Jenkins	.....	222/362
5,495,962	A	3/1996	Nomura	.....	222/80
5,730,333	A *	3/1998	Baluk et al.	.....	222/181.3
5,758,803	A	6/1998	Liao et al.	.....	222/440
5,829,085	A	11/1998	Jerg et al.	.....	8/158
5,833,097	A *	11/1998	Ruth	.....	222/368
D413,767	S *	9/1999	Elmore	.....	D7/589
5,997,220	A	12/1999	Wormser	.....	406/66
6,179,167	B1 *	1/2001	Boot et al.	.....	222/181.3
6,253,968	B1	7/2001	Van Dijk et al.	.....	222/241

6,341,721	B1 *	1/2002	Herald et al.	.....	222/548
6,484,905	B1	11/2002	Swackhamer et al.	.....	222/158
7,090,098	B2	8/2006	Livingston et al.	.....	222/651
2003/0071061	A1	4/2003	Lassota	.....	222/129.3
2005/0139622	A1	6/2005	Saulle	.....	222/541.1

**FOREIGN PATENT DOCUMENTS**

EP	0 154 897	9/1985
EP	1 468 744 A1	10/2004
GB	1 068 510	5/1967
GB	1 569 697	6/1980
GB	2 111 946 A	7/1983
GB	2 208 659 A	4/1989
GB	2 306 303 A	5/1997
WO	WO 02/24140 A2	3/2002
WO	WO 02/24140 A3	3/2002
WO	WO 03/022414 A1	3/2003
WO	WO 03/023120 A1	3/2003

\* cited by examiner

*Primary Examiner*—Terry A Wallace

(74) *Attorney, Agent, or Firm*—Gregory S. Bollis

(57) **CLAIM**

I claim the ornamental design for a dispensing closure, as shown and described.

**DESCRIPTION**

FIG. 1 is a front view of a dispensing closure embodying aspects of the invention.

FIG. 2 is a rear view of the dispensing closure shown in FIG. 1.

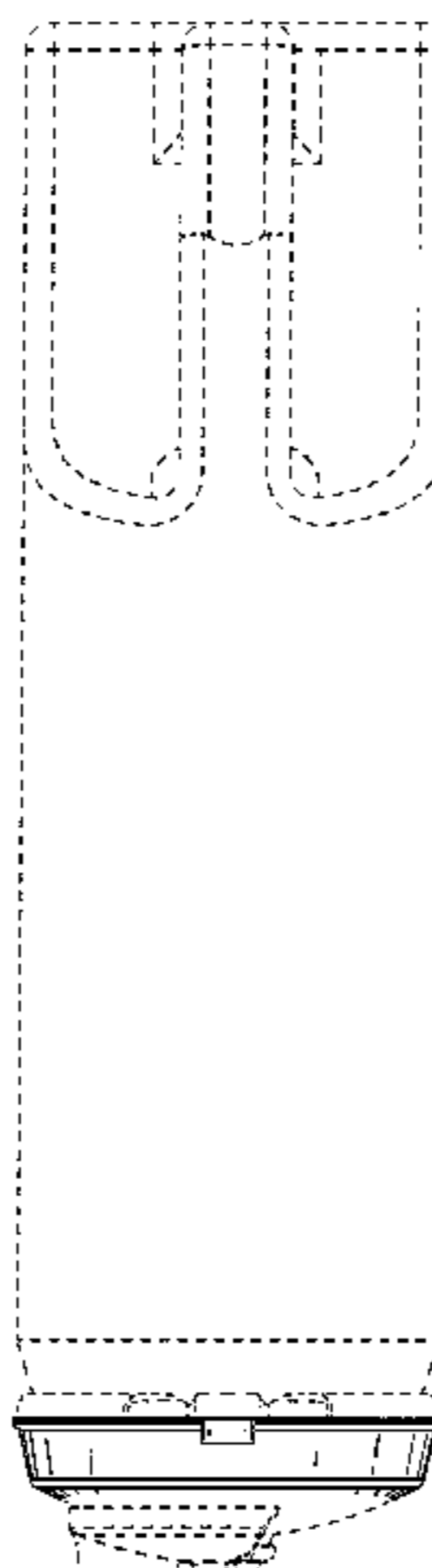
FIG. 3 is a right side view of the dispensing closure shown in FIG. 1.

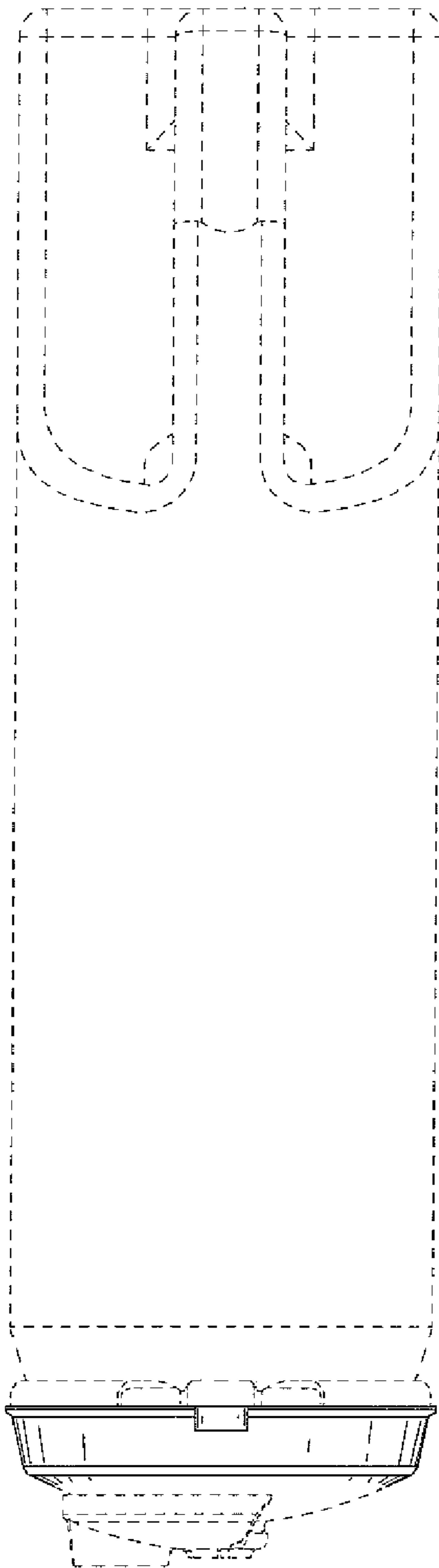
FIG. 4 is a left side view of the dispensing closure shown in FIG. 1; and,

FIG. 5 is a bottom view of the dispensing closure shown in FIG. 1.

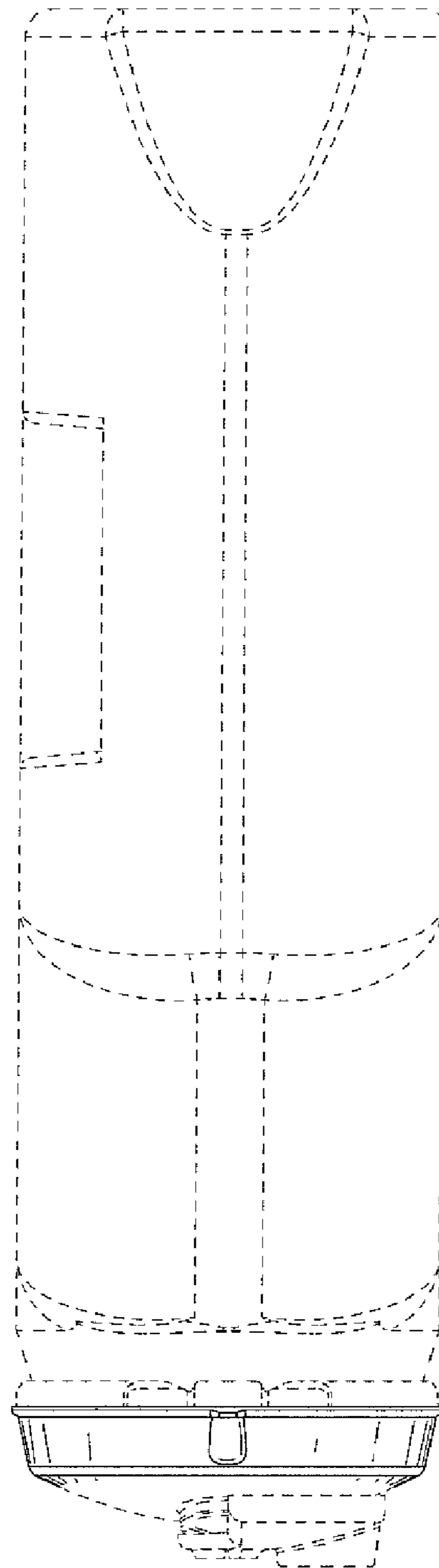
The present application is directed to the shape and contour of a dispensing closure. Features of the drawings shown in broken lines are not considered part of the design currently sought to be patented.

**1 Claim, 4 Drawing Sheets**

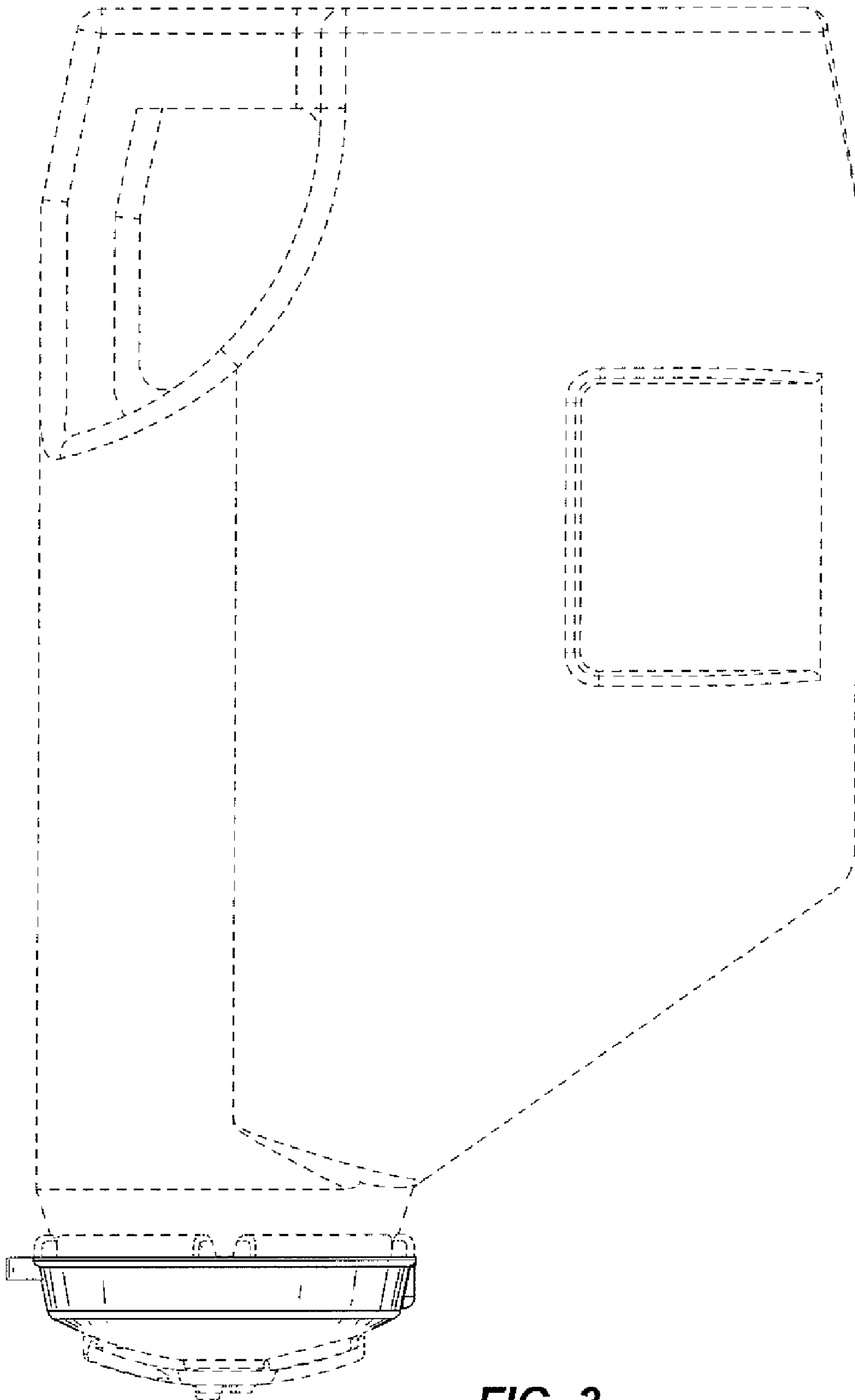




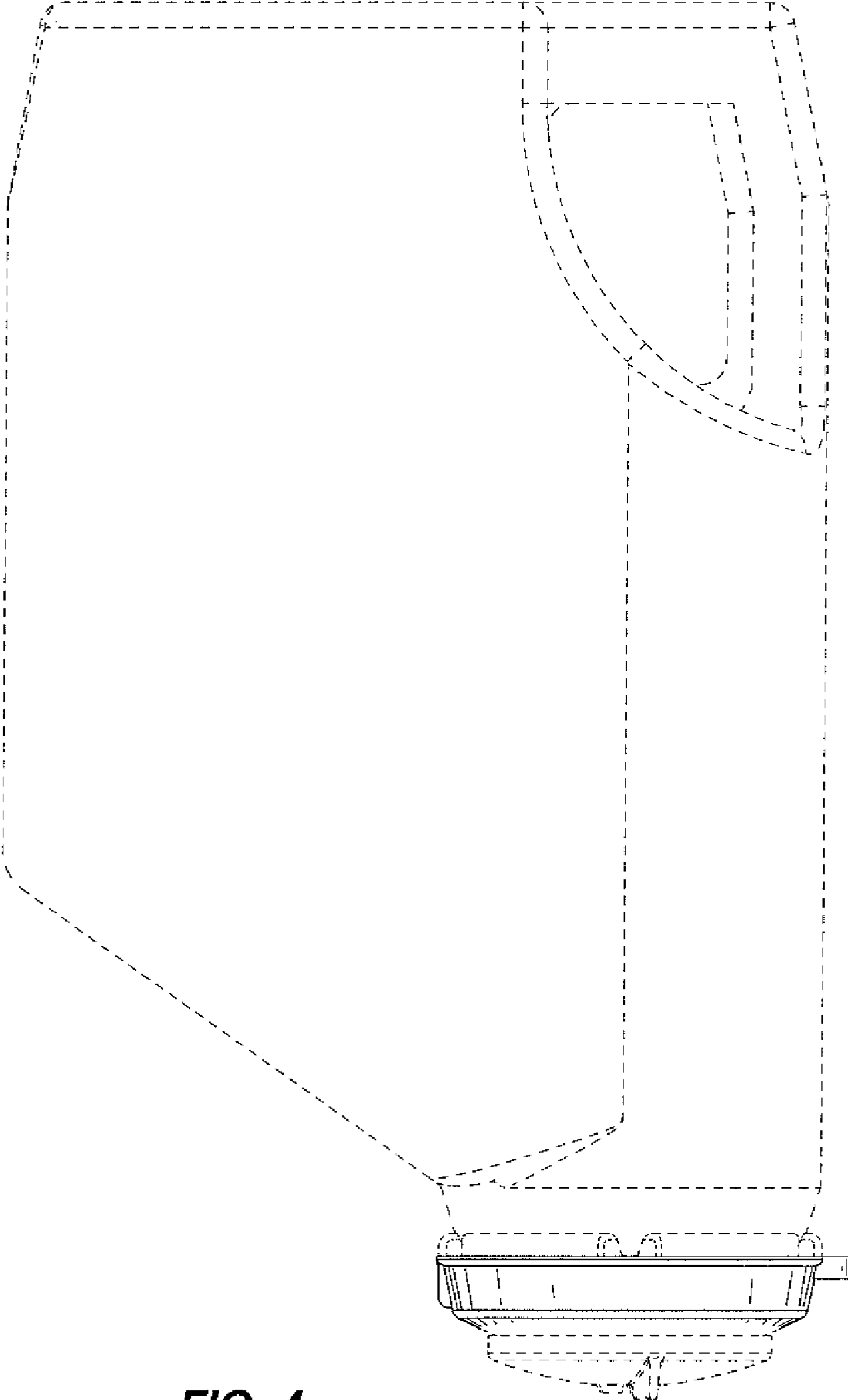
**FIG. 1**



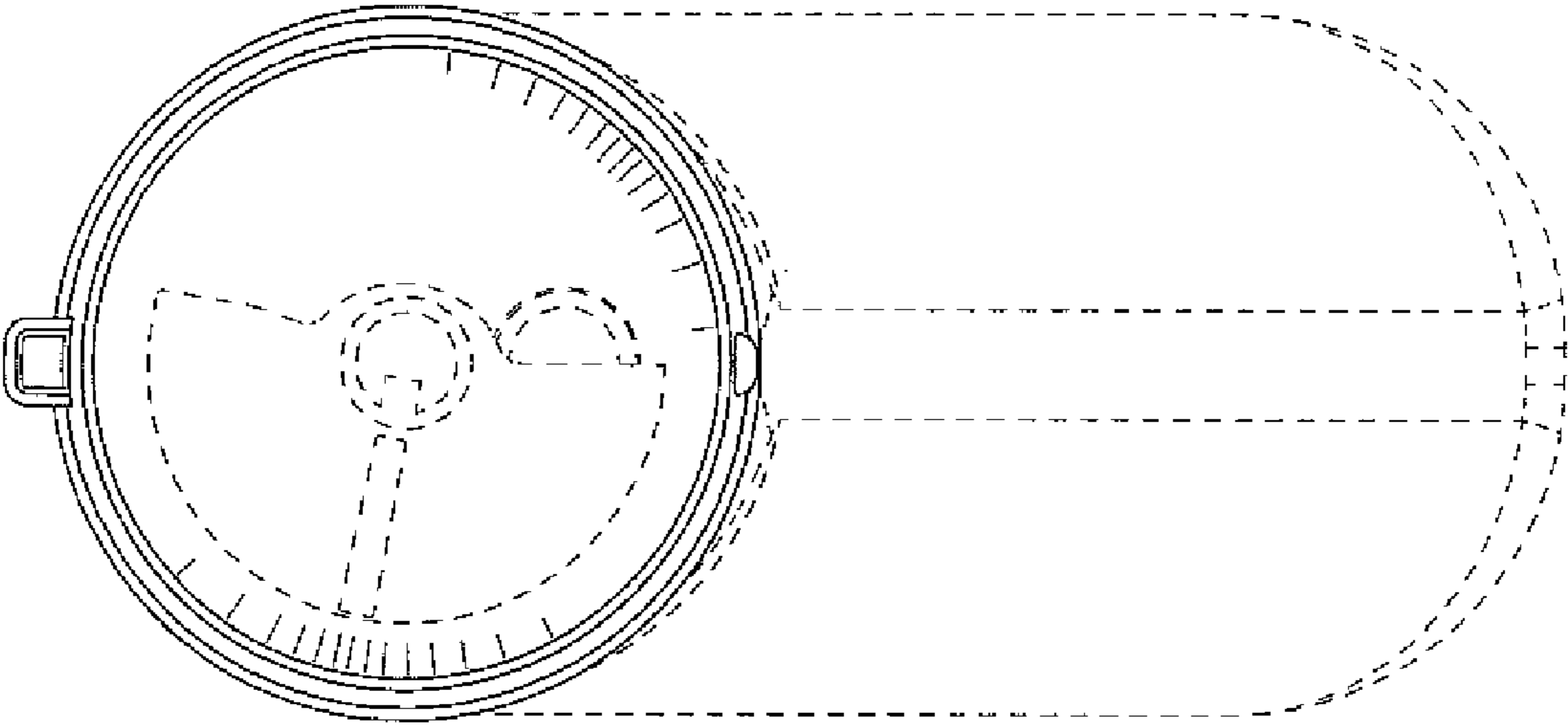
**FIG. 2**



**FIG. 3**



**FIG. 4**



**FIG. 5**