



US00D568685S

(12) **United States Design Patent** (10) **Patent No.:** **US D568,685 S**
Bodum (45) **Date of Patent:** **** May 13, 2008**

(54) **DRINKING GLASS**

(75) Inventor: **Jørgen Bodum**, St. Niklausen (CH)

(73) Assignee: **Pi-Design AG**, Triengen (CH)

(**) Term: **14 Years**

(21) Appl. No.: **29/255,727**

(22) Filed: **Mar. 10, 2006**

(30) **Foreign Application Priority Data**

Sep. 14, 2005 (DK) DA 2005 00260

(51) **LOC (8) Cl.** **07-01**

(52) **U.S. Cl.** **D7/523; D7/500; D7/507**

(58) **Field of Classification Search** D7/392-394,
D7/509-511, 515, 522-524, 528, 529, 531-533,
D7/536, 537, 540, 542, 901; 215/10, 365,
215/376, 377, 382, 384, 387, 392, 394, DIG. 7;
220/62.12, 560, 568, 592.17, 607, 608, 623,
220/659, 662, 669, 710

See application file for complete search history.

(56) **References Cited**

U.S. PATENT DOCUMENTS

- D43,232 S * 11/1912 Pick D7/524
- D47,798 S * 9/1915 Pick D7/523
- D47,800 S * 9/1915 Pick D7/523
- D114,568 S * 5/1939 Viatour D7/523
- 2,660,039 A * 11/1953 Newell 215/377
- 3,128,029 A * 4/1964 Price et al. 229/400
- 3,269,144 A * 8/1966 Poris 62/457.3
- D209,307 S * 11/1967 Schilling D7/523
- D209,308 S * 11/1967 Schilling D7/523
- 3,394,562 A * 7/1968 Coleman 62/457.3
- D224,797 S * 9/1972 Thrush D7/523
- D282,134 S * 1/1986 Durand D7/523
- D282,997 S * 3/1986 Miller D7/523
- D283,387 S * 4/1986 Durand D7/523
- 4,756,446 A * 7/1988 Gen et al. 206/457
- D353,973 S * 1/1995 Adado D7/511
- D370,389 S * 6/1996 Wilson D7/531
- D370,830 S * 6/1996 Wilson D7/531

- D383,038 S * 9/1997 Willbrandt D7/531
- D416,757 S * 11/1999 Ginuntoli D7/523
- D428,307 S * 7/2000 Yeandel D7/531
- D436,295 S * 1/2001 Furman et al. D7/523
- 6,189,715 B1 * 2/2001 Dubois 215/374
- D471,404 S * 3/2003 Gady D7/523
- D471,764 S * 3/2003 Janky D7/510
- D514,886 S * 2/2006 Kingsley D7/532

FOREIGN PATENT DOCUMENTS

DK MR 1990 01412 * 9/1990

OTHER PUBLICATIONS

- Tervis Tumbler, Feb. 10, 2005, <http://web.archive.org/web/20050210202457/http://custom.tervis.com/>.*
- Libbey Juice Champlain-507733, Mar. 22, 2005, <http://web.archive.org/web/20050322213017/www.galasource.com/prodDetail.cfm/19072,JUICE+CHAMPLAIN+4.25+OZ,MX2.htm>.*
- Sure Stack by Dansk, discontinued 2004, item #227900 <http://www.replacements.com/webquote/DACSUS.htm>.*
- 12Oz Beverage The Stackables Rt (73012AH) by Anchor Hocking, Dec. 20, 2004, [http://web.archive.org/web/20041220125355/www.restockit.com/browseproducts/12Oz-Beverage-The-Stackables-Rt-\(73012AH\).htm](http://web.archive.org/web/20041220125355/www.restockit.com/browseproducts/12Oz-Beverage-The-Stackables-Rt-(73012AH).htm).*
- 9Oz Rocks The Stackables Rt (73009AH) by Anchor Hocking, [http://web.archive.org/web/20041220123659/www.restockit.com/browseproducts/9Oz-Rocks-The-Stackable-Rt-\(73009AH\).htm](http://web.archive.org/web/20041220123659/www.restockit.com/browseproducts/9Oz-Rocks-The-Stackable-Rt-(73009AH).htm).*

(Continued)

Primary Examiner—T. Chase Nelson

Assistant Examiner—Karen Acker

(74) *Attorney, Agent, or Firm*—Cowan, Liebowitz & Latman, PC

(57) **CLAIM**

The ornamental design for a drinking glass, as shown and described.

DESCRIPTION

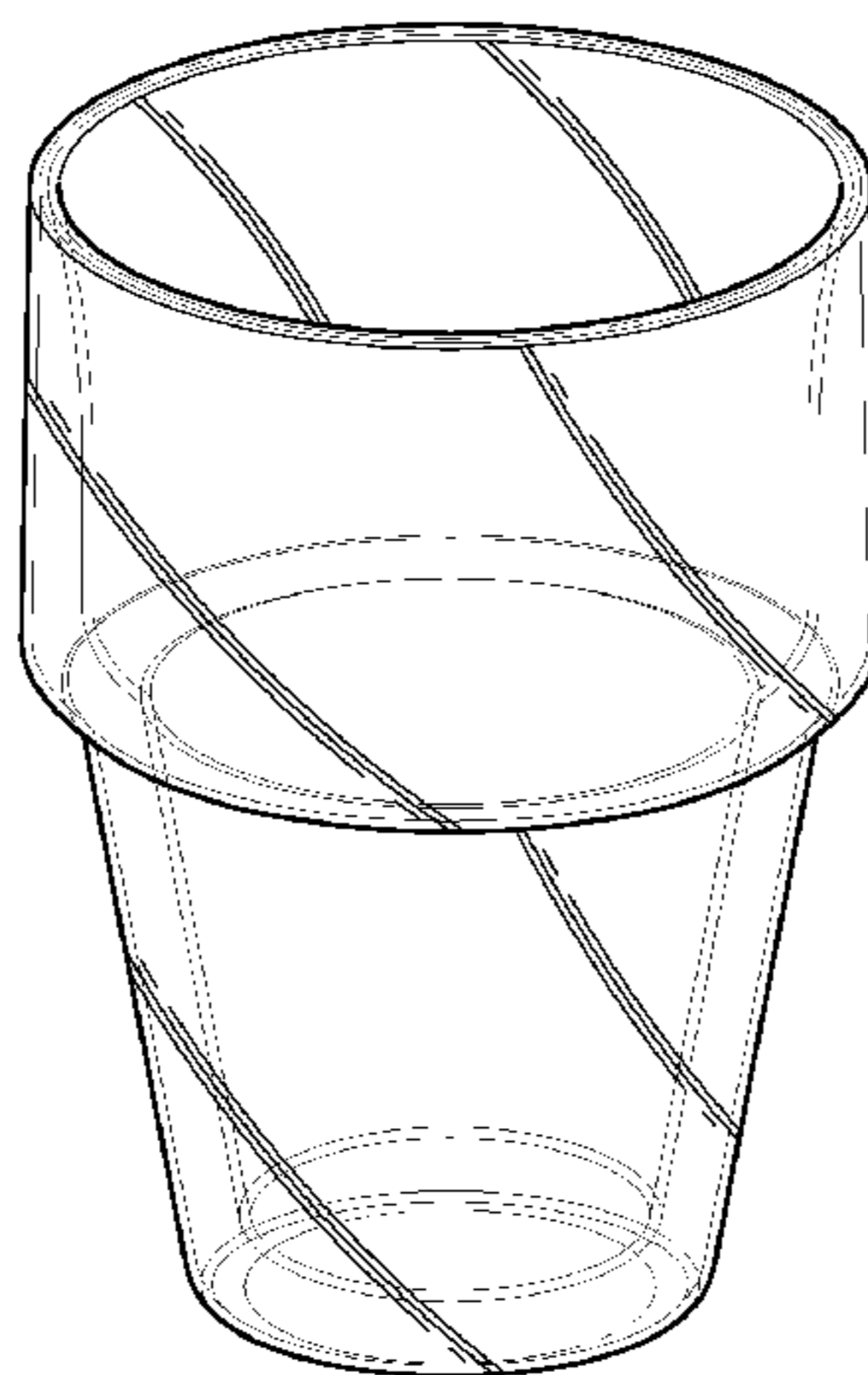
FIG. 1 is a perspective view of the drinking glass showing my design thereof;

FIG. 2 is a front view thereof;

FIG. 3 is a top view thereof; and,

FIG. 4 is a bottom view thereof.

1 Claim, 4 Drawing Sheets



US D568,685 S

Page 2

OTHER PUBLICATIONS

Flower Pot Votive (89015AH) by Anchor Hocking, [http://web.archive.org/web/20041220123739/www.restockit.com/browseproducts/Flower-Pot-Votive—\(89015AH\).htm](http://web.archive.org/web/20041220123739/www.restockit.com/browseproducts/Flower-Pot-Votive—(89015AH).htm).*

Libbey Double Pot Rocks, No. 973 and Votive Pot, No. 5159, Libbey Catalog, Dec. 9, 1986, p. 50.*
Libbey Gibraltar Series Nos. 15236-15238, Libbey Catalog, Dec. 9, 1986 p. 9.*

* cited by examiner

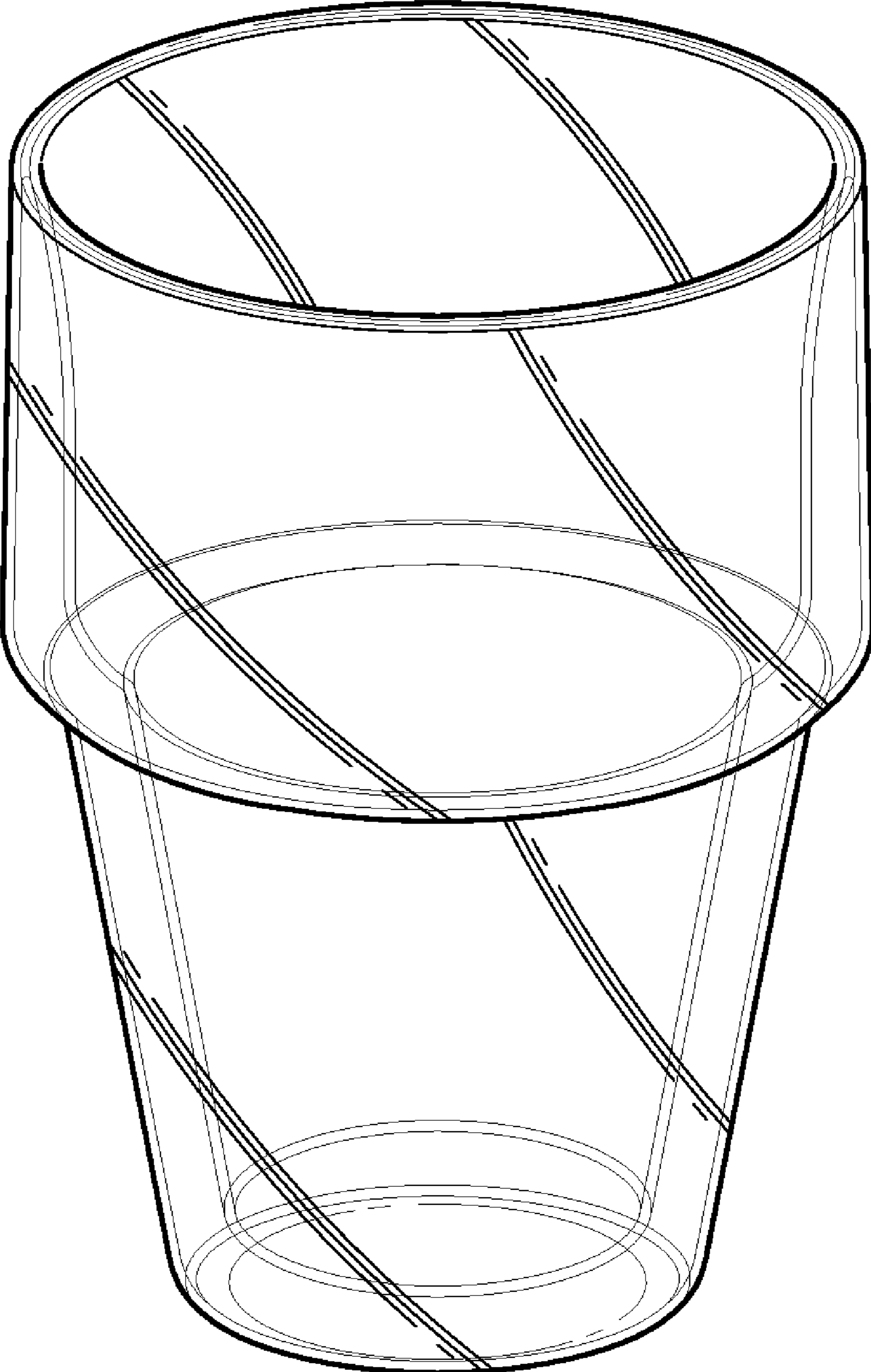


FIG. 1

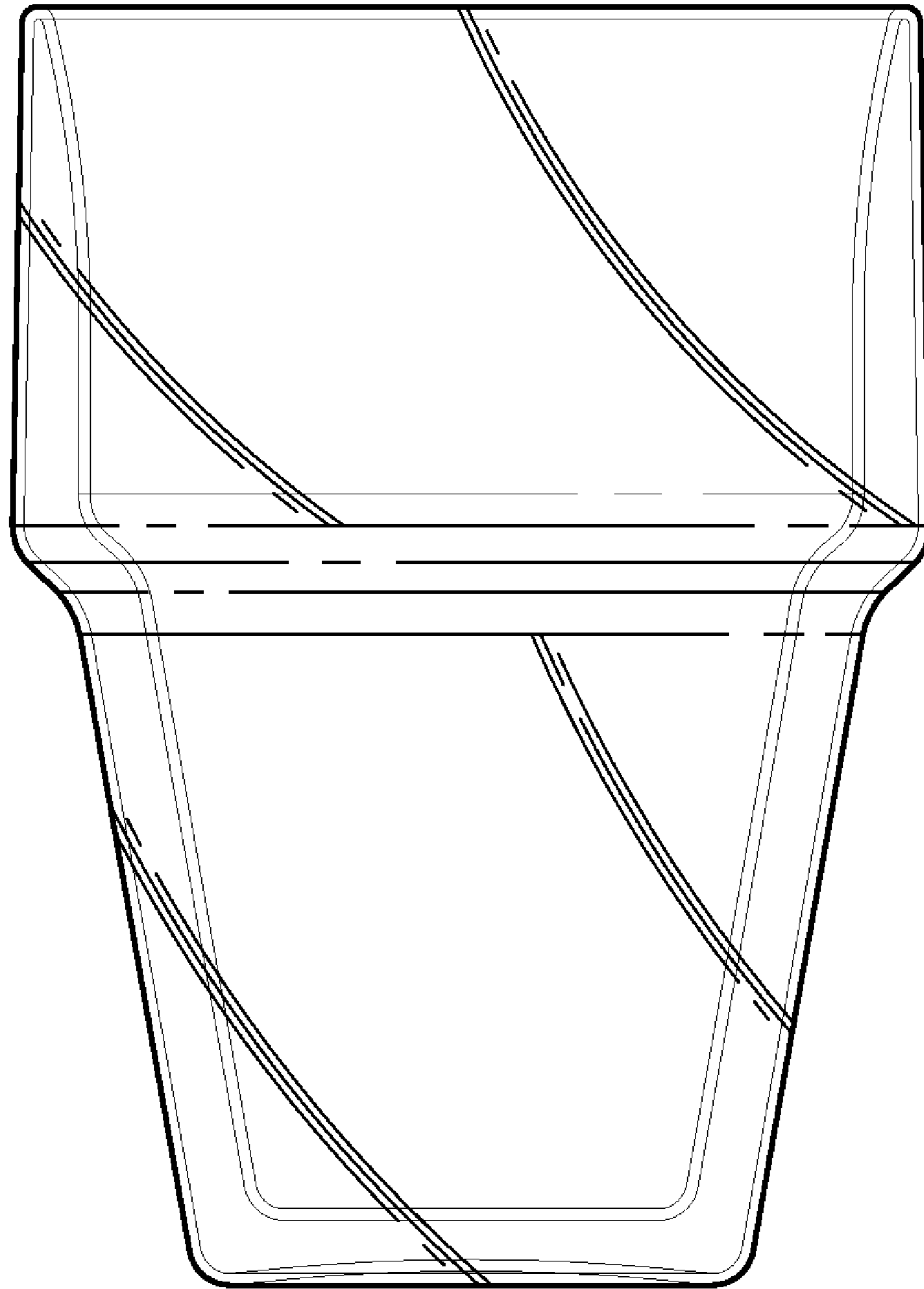


FIG. 2

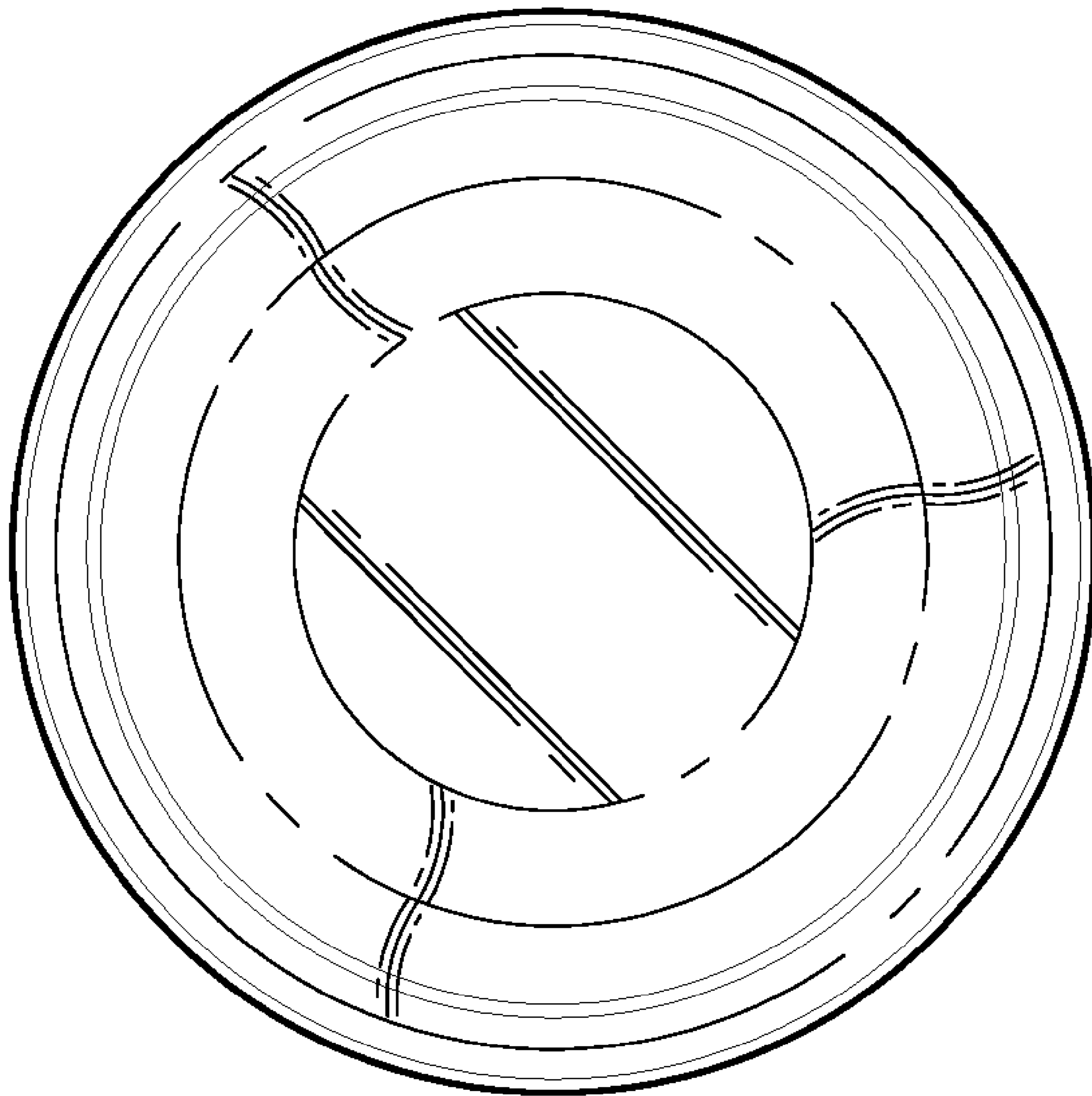


FIG. 3

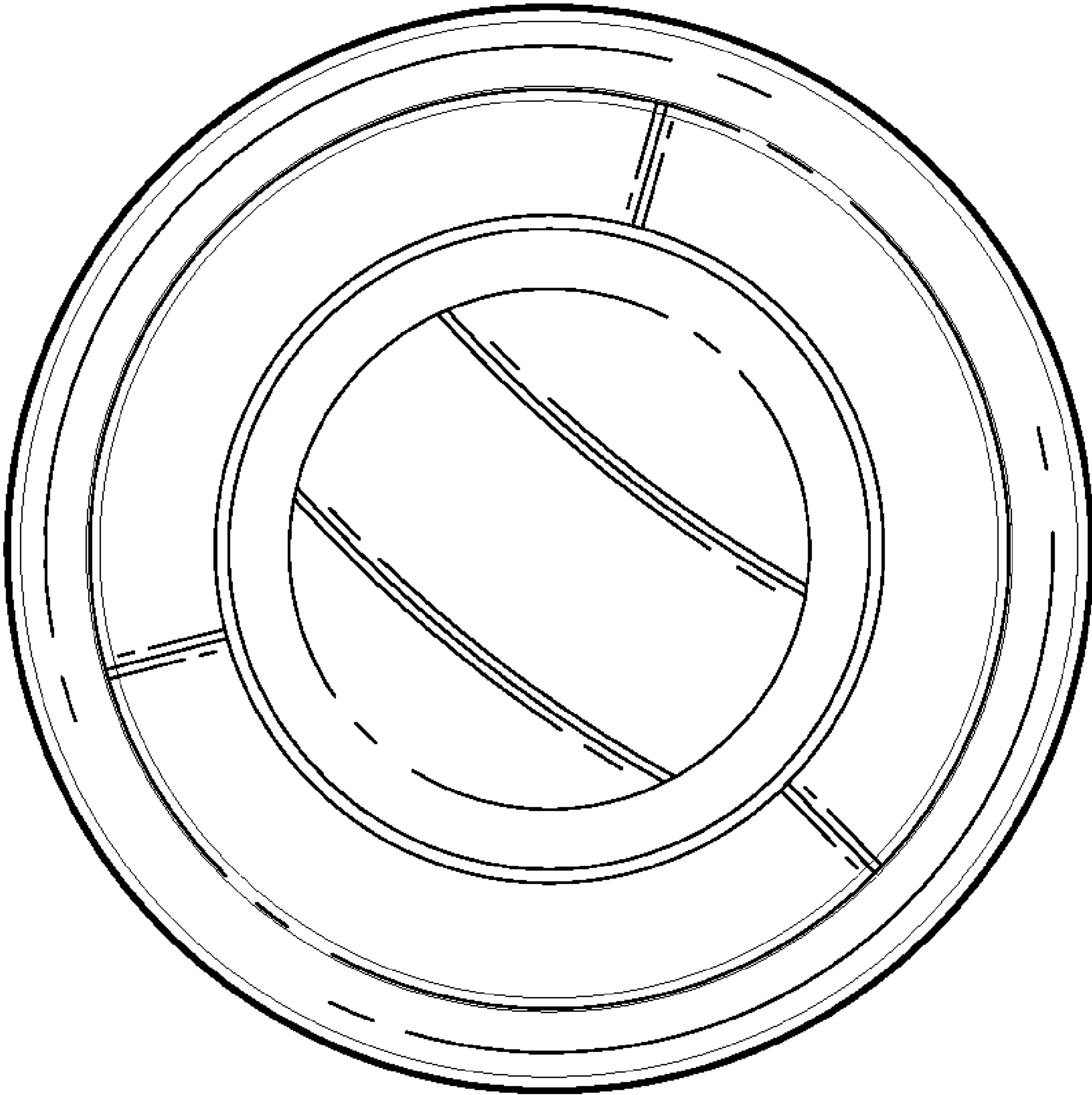


FIG. 4