



US00D568680S

(12) **United States Design Patent**  
**Hsu**

(10) **Patent No.:** **US D568,680 S**  
(45) **Date of Patent:** **\*\* May 13, 2008**

(54) **AIRPOT LID IDENTIFIER**

(75) Inventor: **Jin-Yang Hsu**, Taipei (TW)  
(73) Assignee: **Sunchaser Corporation**, Land of  
Lakes, FL (US)  
(\*\*) Term: **14 Years**  
(21) Appl. No.: **29/248,805**  
(22) Filed: **Sep. 5, 2006**

(51) **LOC (8) Cl.** ..... **07-01**  
(52) **U.S. Cl.** ..... **D7/397; D7/387; D7/213**  
(58) **Field of Classification Search** ..... D7/387,  
D7/391, 392, 392.1, 393, 396, 397, 900;  
D9/434, 435, 447; D10/46.2; 220/696, 314,  
220/694; 222/209, 471; 294/55  
See application file for complete search history.

(56) **References Cited**

**U.S. PATENT DOCUMENTS**

|                |         |                |       |          |
|----------------|---------|----------------|-------|----------|
| D112,150 S *   | 11/1938 | Pershall       | ..... | D7/392   |
| D276,586 S *   | 12/1984 | Hanna          | ..... | D9/434   |
| D403,211 S *   | 12/1998 | Weterrings     | ..... | D7/691   |
| 5,887,760 A *  | 3/1999  | Johnson        | ..... | 222/209  |
| D412,641 S *   | 8/1999  | Schiffer       | ..... | D7/395   |
| D445,235 S *   | 7/2001  | Gibson         | ..... | D99/34   |
| D451,829 S *   | 12/2001 | McGuyer        | ..... | D10/46.3 |
| 7,086,282 B2 * | 8/2006  | Kilduff et al. | ..... | 73/429   |

\* cited by examiner

*Primary Examiner*—Philip S. Hyder  
*Assistant Examiner*—Cynthia Underwood  
(74) *Attorney, Agent, or Firm*—Lempia Braidwood LLC

(57) **CLAIM**

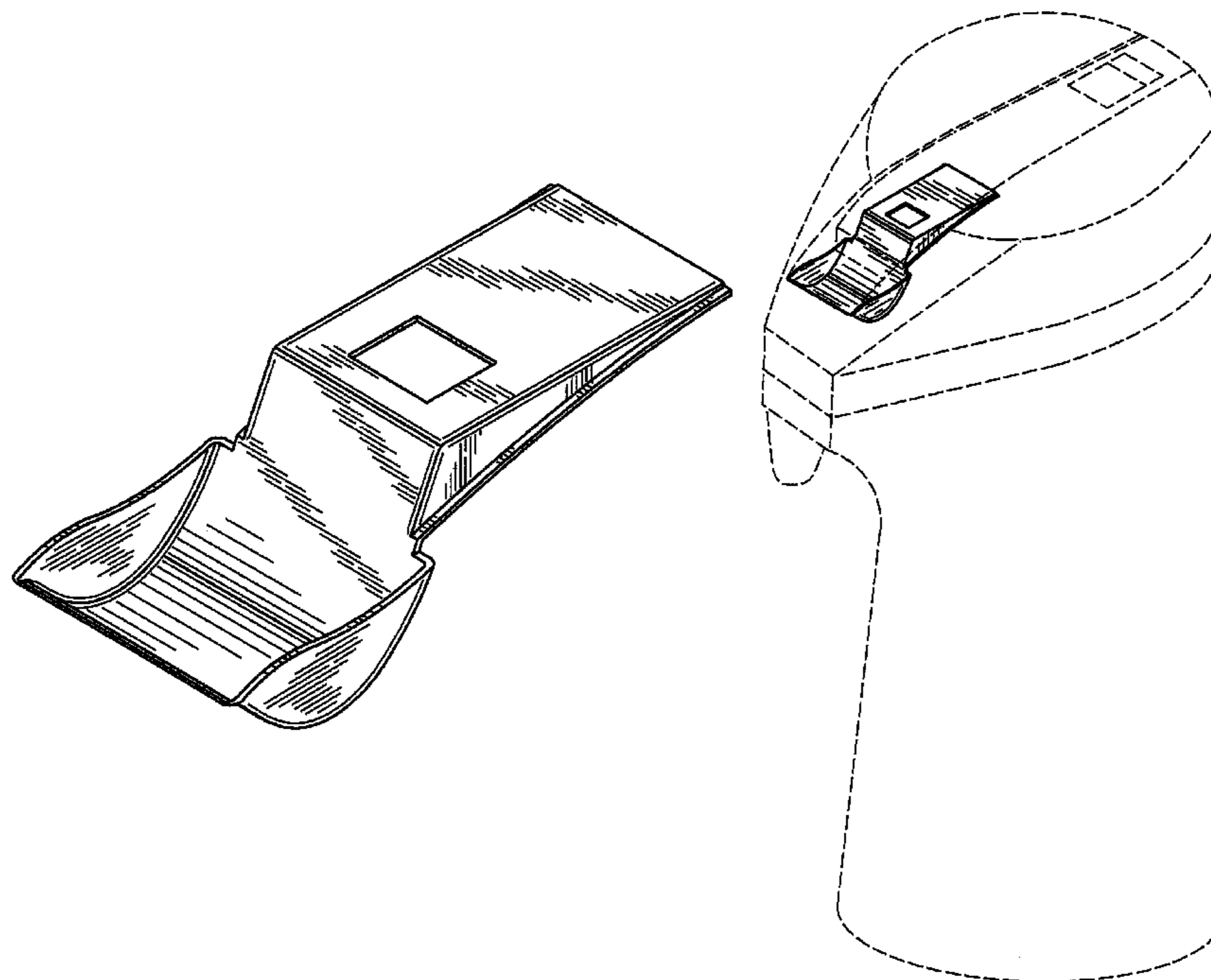
The ornamental design for an “airpot lid identifier,” as shown and described herein.

**DESCRIPTION**

FIG. 1 is a perspective view showing a front, top, and left side view of an ornamental design for an airpot lid identifier; FIG. 2 is a bottom view of the airpot lid identifier shown in FIG. 1; FIG. 3 is a top view of the airpot lid identifier shown in FIG. 1; FIG. 4 is a left side view of the airpot lid identifier shown in FIG. 1; FIG. 5 is a right side view of airpot lid identifier shown in FIG. 1; FIG. 6 is a rear view of the airpot lid identifier shown in FIG. 1; FIG. 7 is a front view of the airpot lid identifier shown in FIG. 1; FIG. 8 is a perspective view of the airpot lid identifier shown in FIG. 1 and in an environment with the airpot lid identifier in use on an airpot lid; and, FIG. 9 is a perspective view of the airpot lid identifier shown in FIG. 1 and in an environment with the airpot lid identifier in use on an airpot lid in an alternative operative configuration.

The subject matter shown in dashed lines is not to be considered part of the claimed subject matter.

**1 Claim, 5 Drawing Sheets**



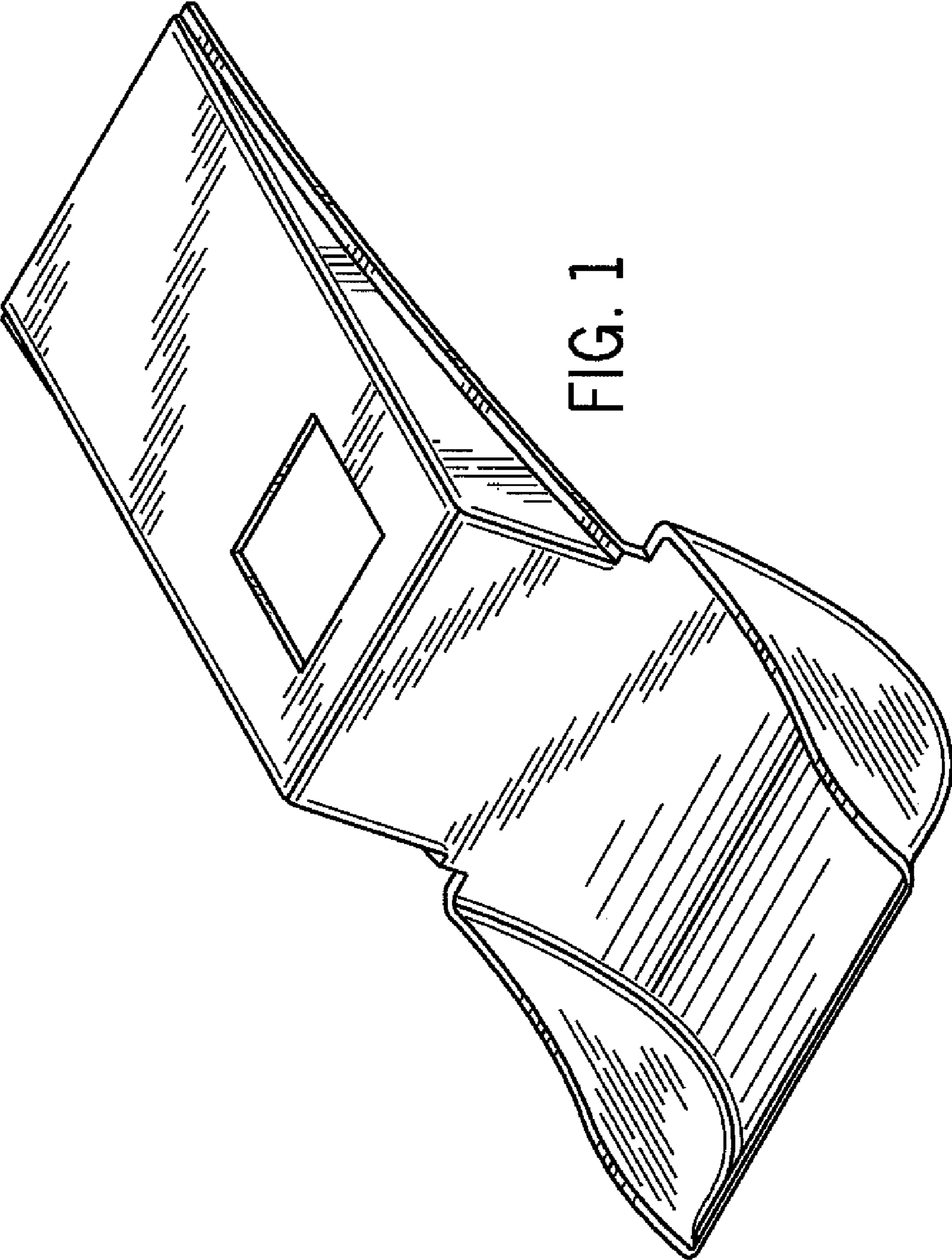


FIG. 1

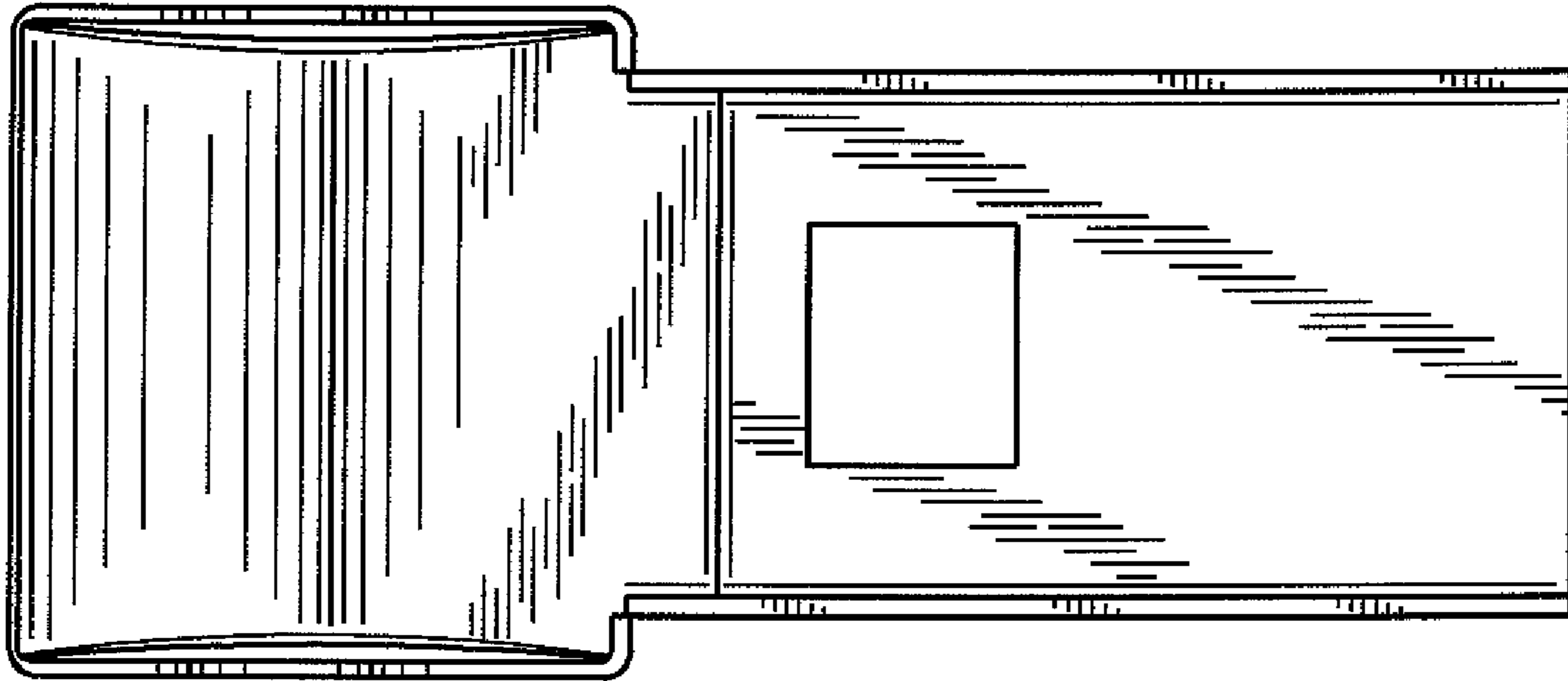


FIG. 2

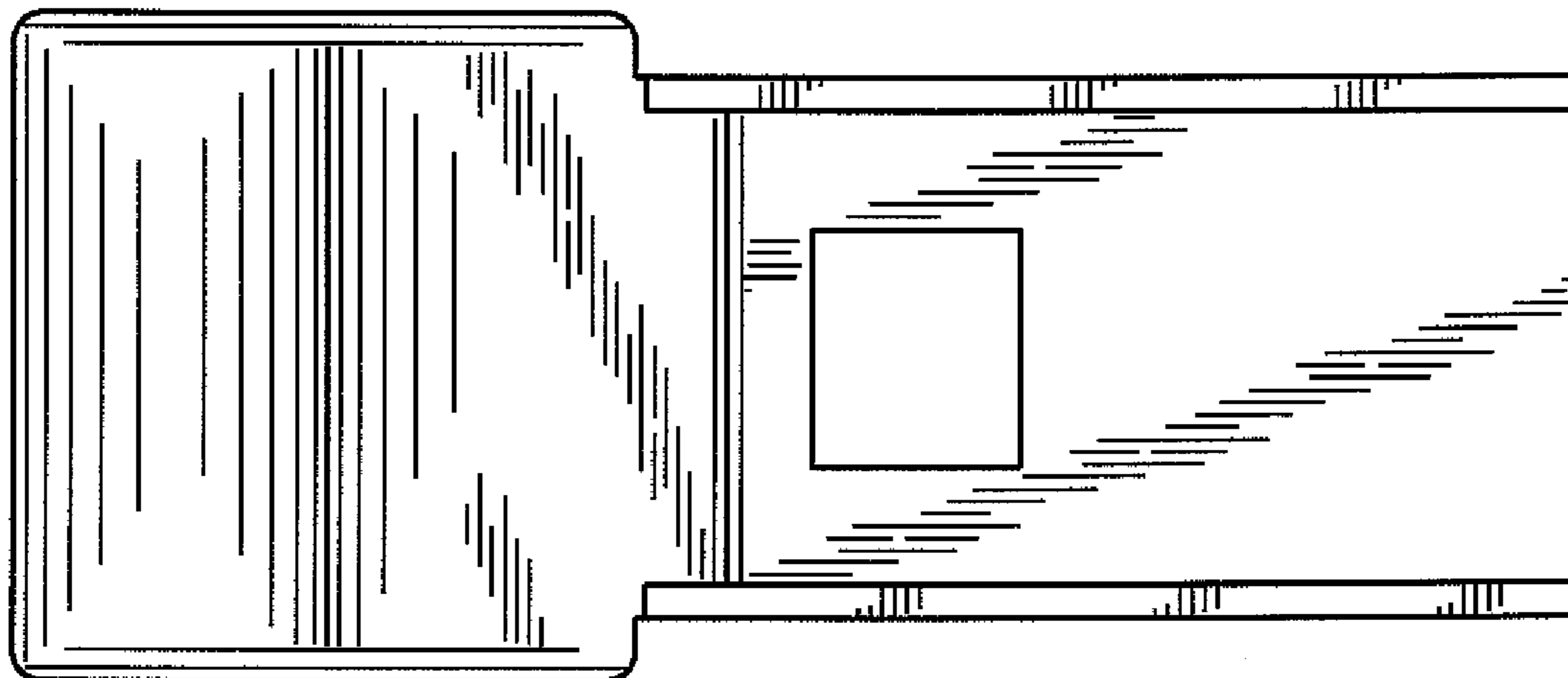


FIG. 3

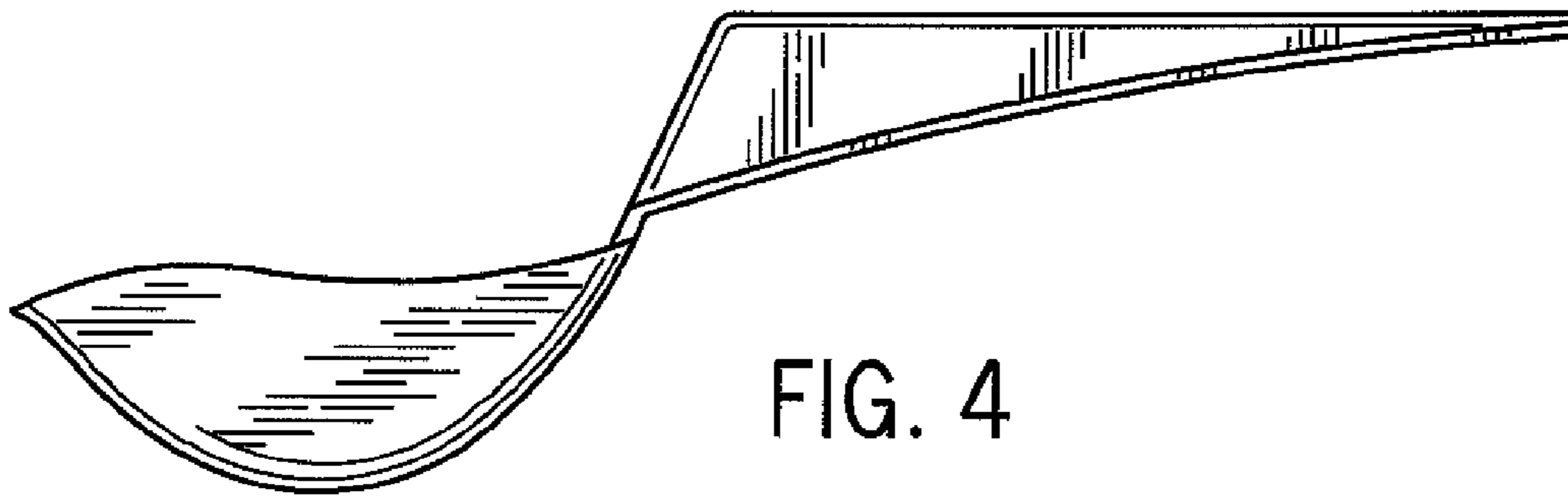


FIG. 4

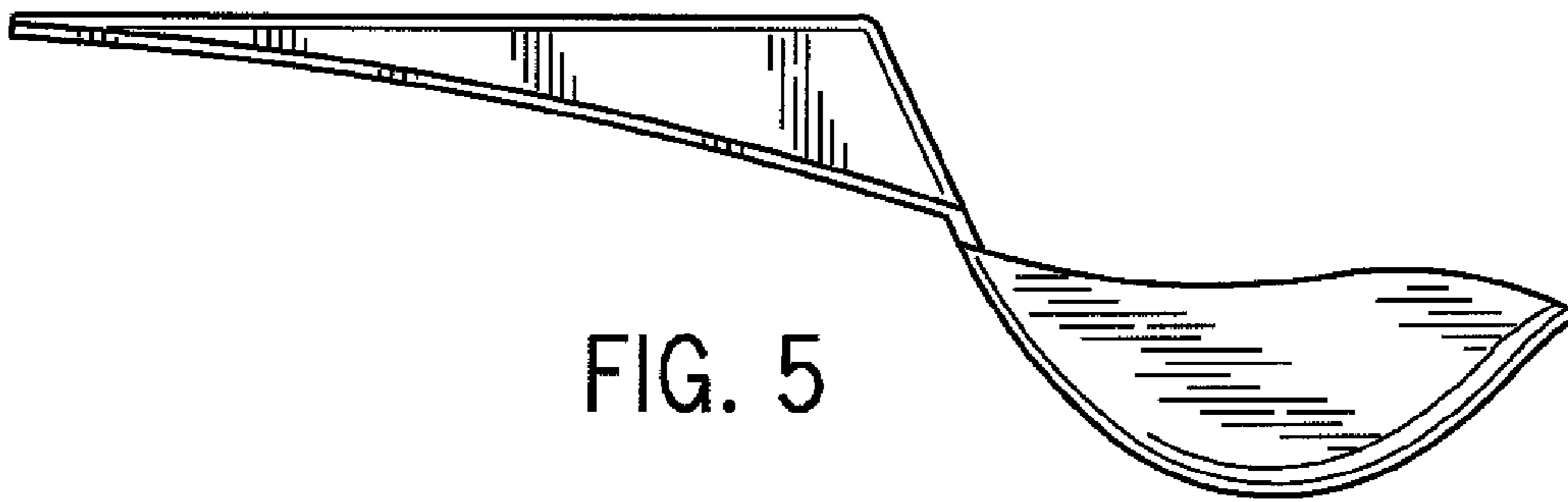


FIG. 5

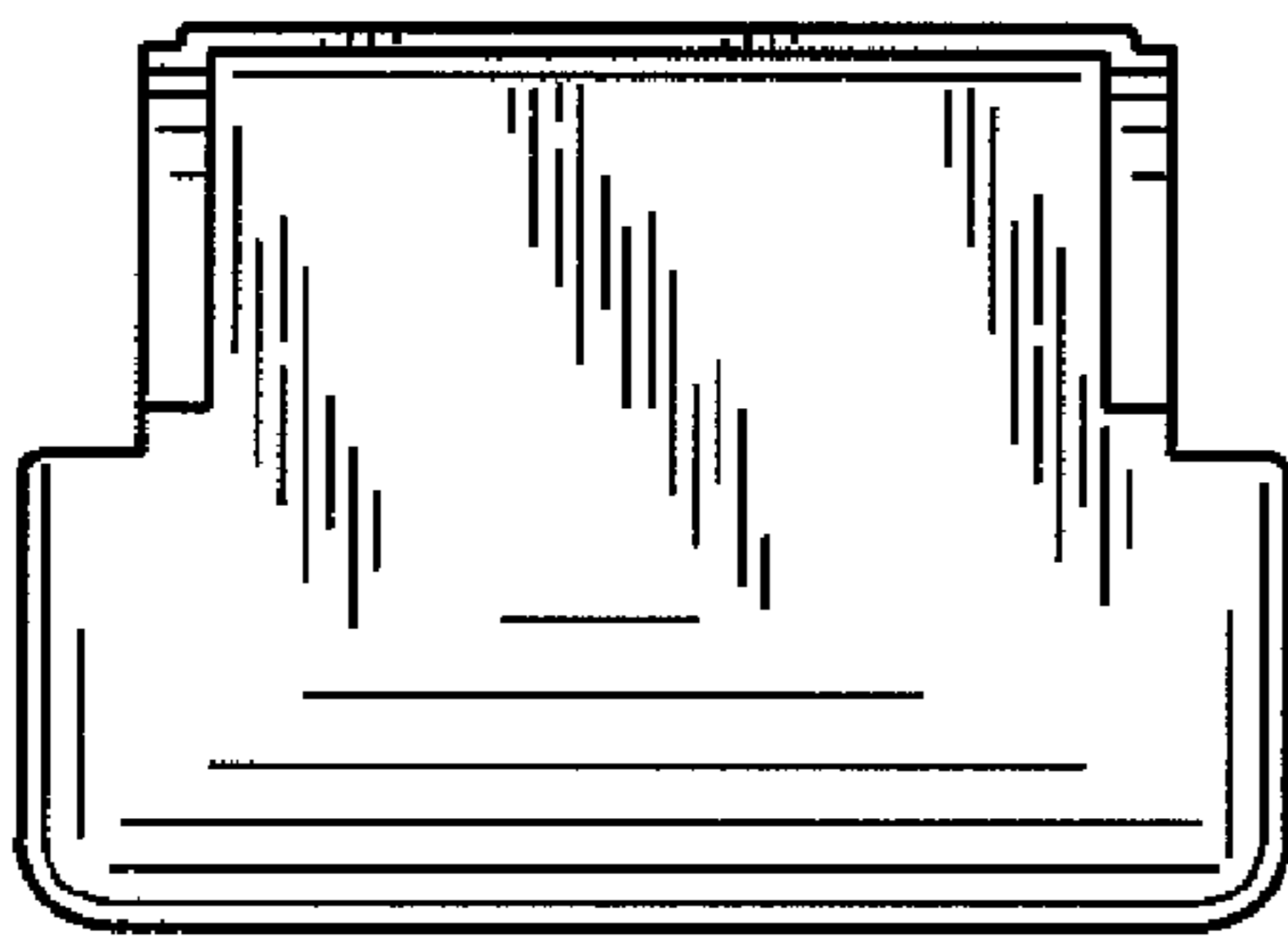


FIG. 6

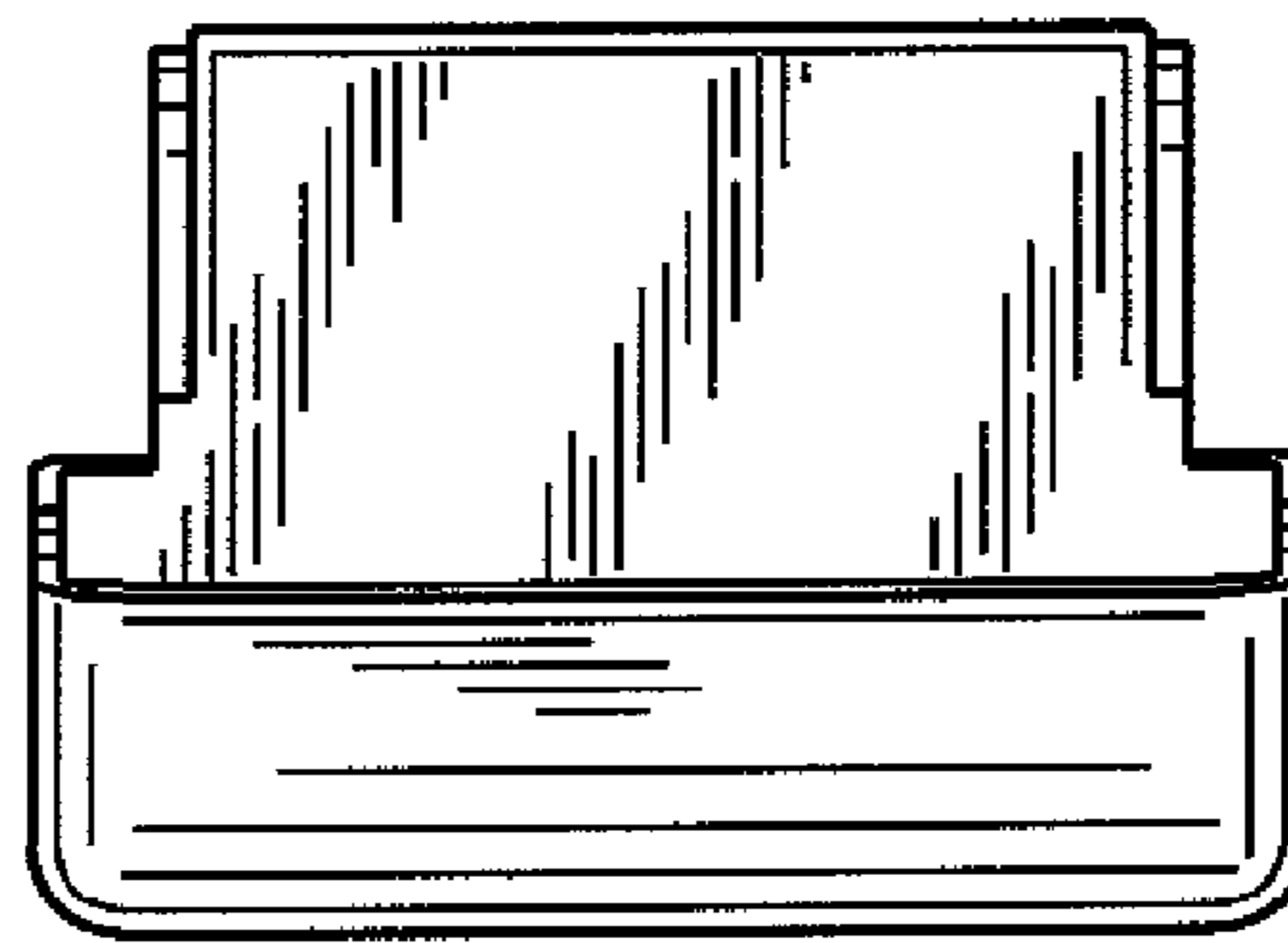


FIG. 7

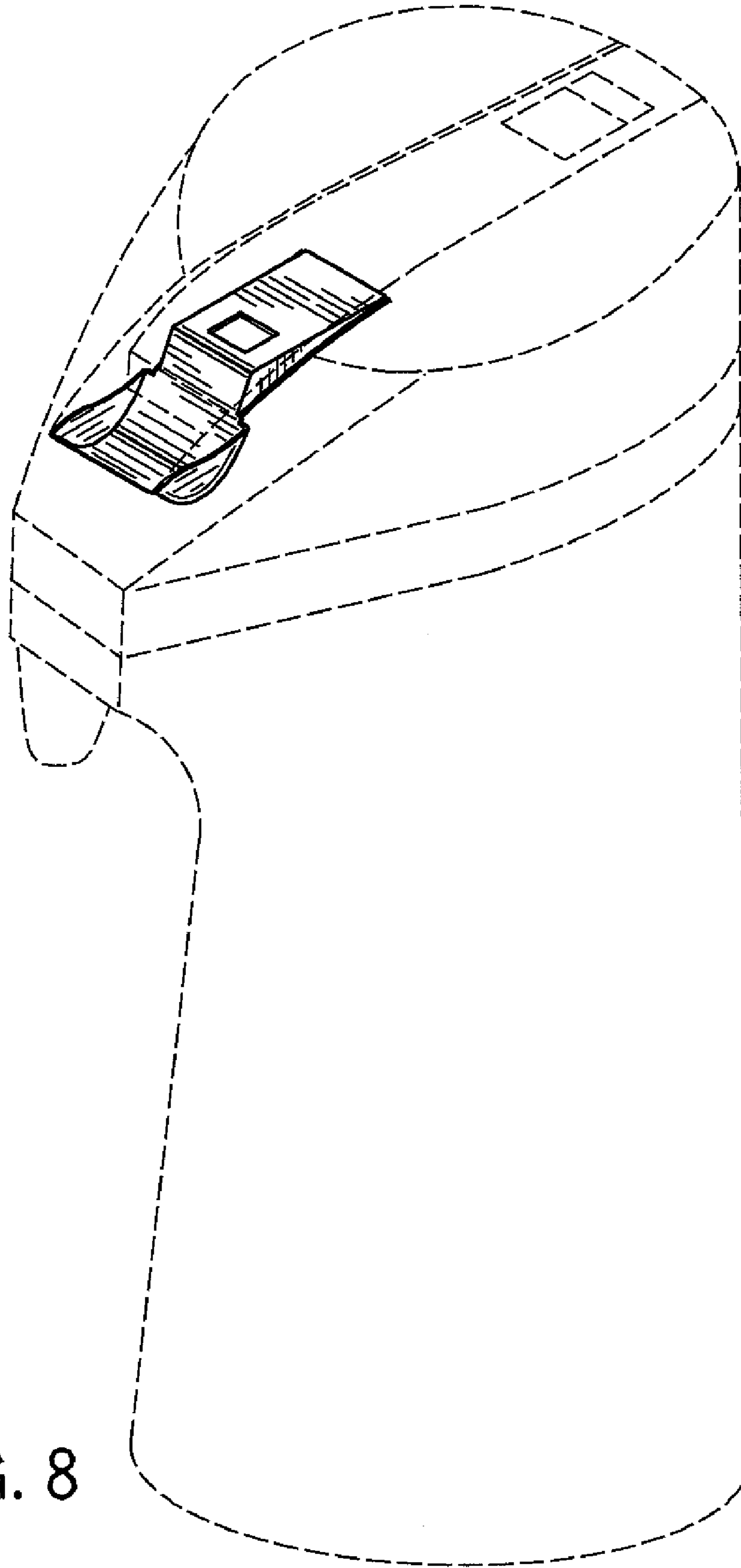


FIG. 8

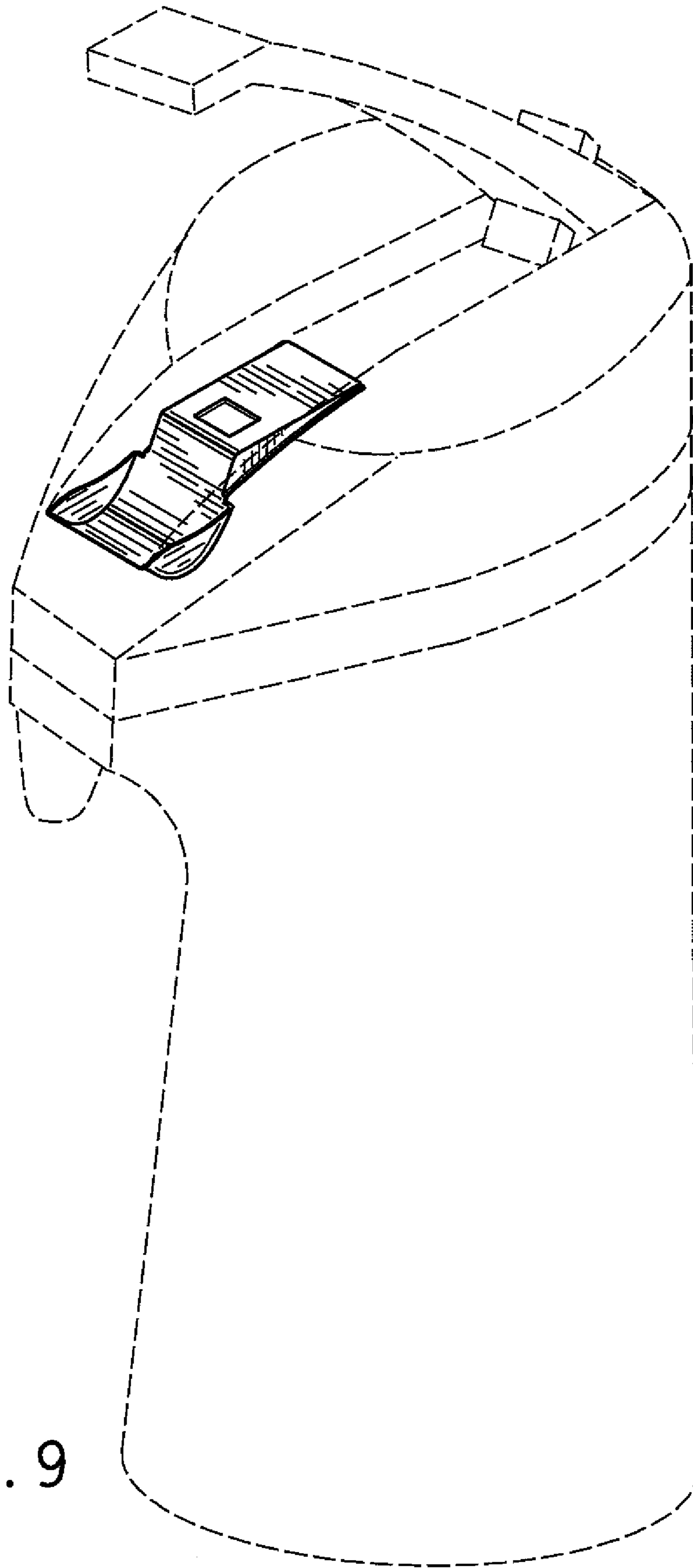


FIG. 9