



US00D568677S

(12) **United States Design Patent**
Stattmann

(10) **Patent No.:** **US D568,677 S**

(45) **Date of Patent:** **** May 13, 2008**

(54) **COOKING POT**

(75) Inventor: **Nicola Stattmann**, Frankfurt (DE)

(73) Assignee: **Fissler GmbH**, Idar- Oberstein (DE)

(**) Term: **14 Years**

(21) Appl. No.: **29/287,457**

(22) Filed: **Aug. 9, 2007**

(30) **Foreign Application Priority Data**

Feb. 19, 2007 (EM) 000673371

(51) **LOC (8) Cl.** **07-02**

(52) **U.S. Cl.** **D7/360**

(58) **Field of Classification Search** D7/323,
D7/354-361, 393-395, 402, 500, 538-548,
D7/584-588; D8/107, 300, 307, 317; 16/110.1,
16/407, 430-431, 436, 441, 444; 29/527.1-527.5;
99/403, 422, 425-426, 339, 445; 220/377,
220/573.1-573.3, 752-753, 755-759, 912
See application file for complete search history.

(56) **References Cited**

U.S. PATENT DOCUMENTS

D313,727 S * 1/1991 Gamez D7/360
D338,370 S * 8/1993 Takeda D7/356
D358,062 S * 5/1995 Hasuike D7/360
D368,828 S * 4/1996 Thurlow D7/360
D374,373 S * 10/1996 Ito D7/360

D427,483 S * 7/2000 Geelen et al. D7/360
D439,104 S * 3/2001 Thakur D7/360
D492,881 S * 7/2004 Bodum D7/360
D496,555 S * 9/2004 Rommelfanger et al. D7/360
D506,350 S * 6/2005 Cheng D7/360
D532,250 S * 11/2006 Roussard D7/358
D534,031 S * 12/2006 Roussard D7/358
D549,041 S * 8/2007 Kellermann et al. D7/354

* cited by examiner

Primary Examiner—Mimosa De

Assistant Examiner—Ricky Pham

(74) *Attorney, Agent, or Firm*—Foley & Lardner LLP

(57) **CLAIM**

The ornamental design for a cooking pot, as shown and described.

DESCRIPTION

FIG. 1 is a perspective view of a cooking pot showing my new design;

FIG. 2 is a front elevational view thereof;

FIG. 3 is a rear elevational view thereof;

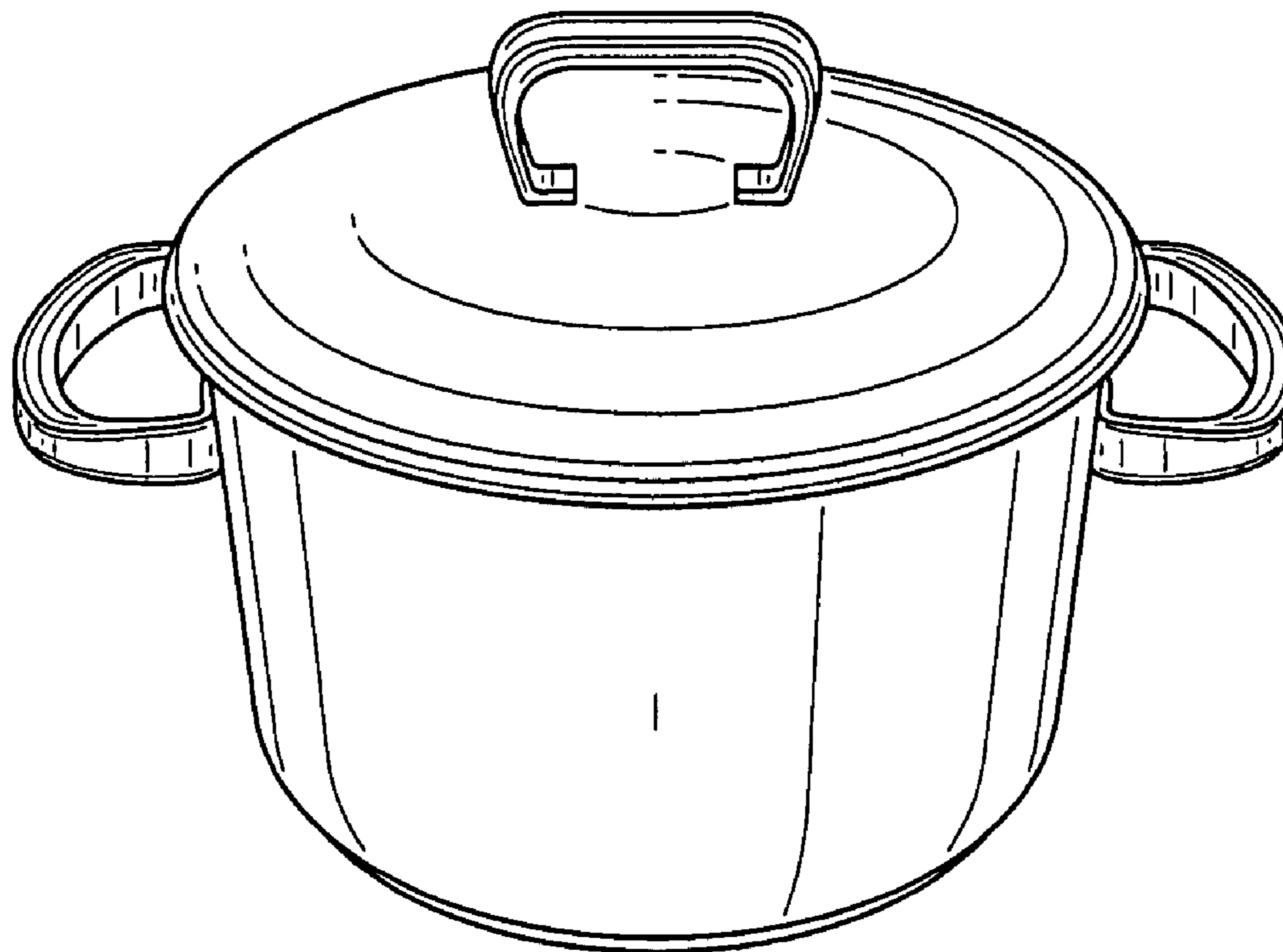
FIG. 4 is a right side elevational view thereof;

FIG. 5 is a left side elevational view thereof;

FIG. 6 is a top plan view thereof; and,

FIG. 7 is a bottom plan view thereof.

1 Claim, 4 Drawing Sheets



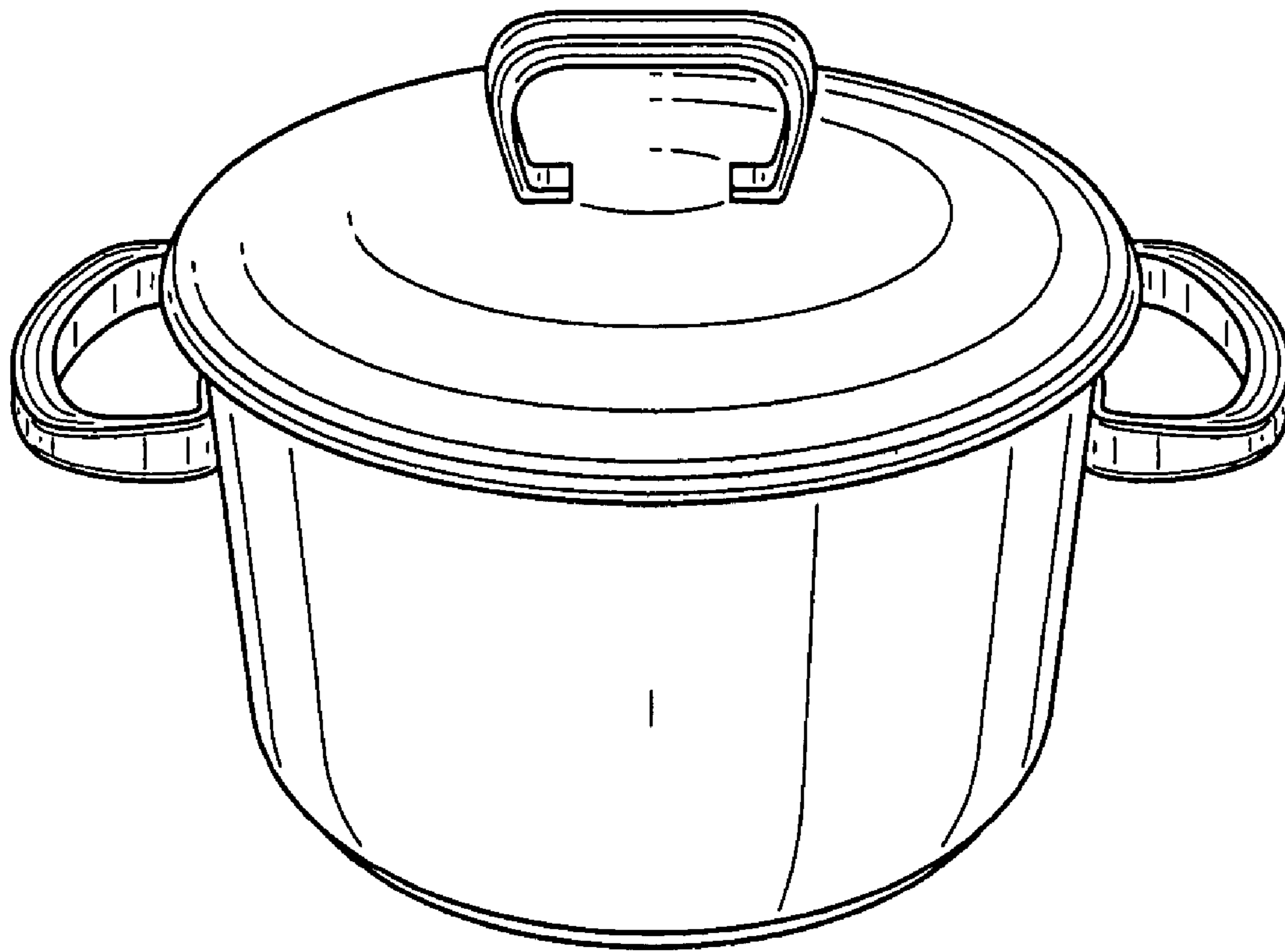


FIG. 1

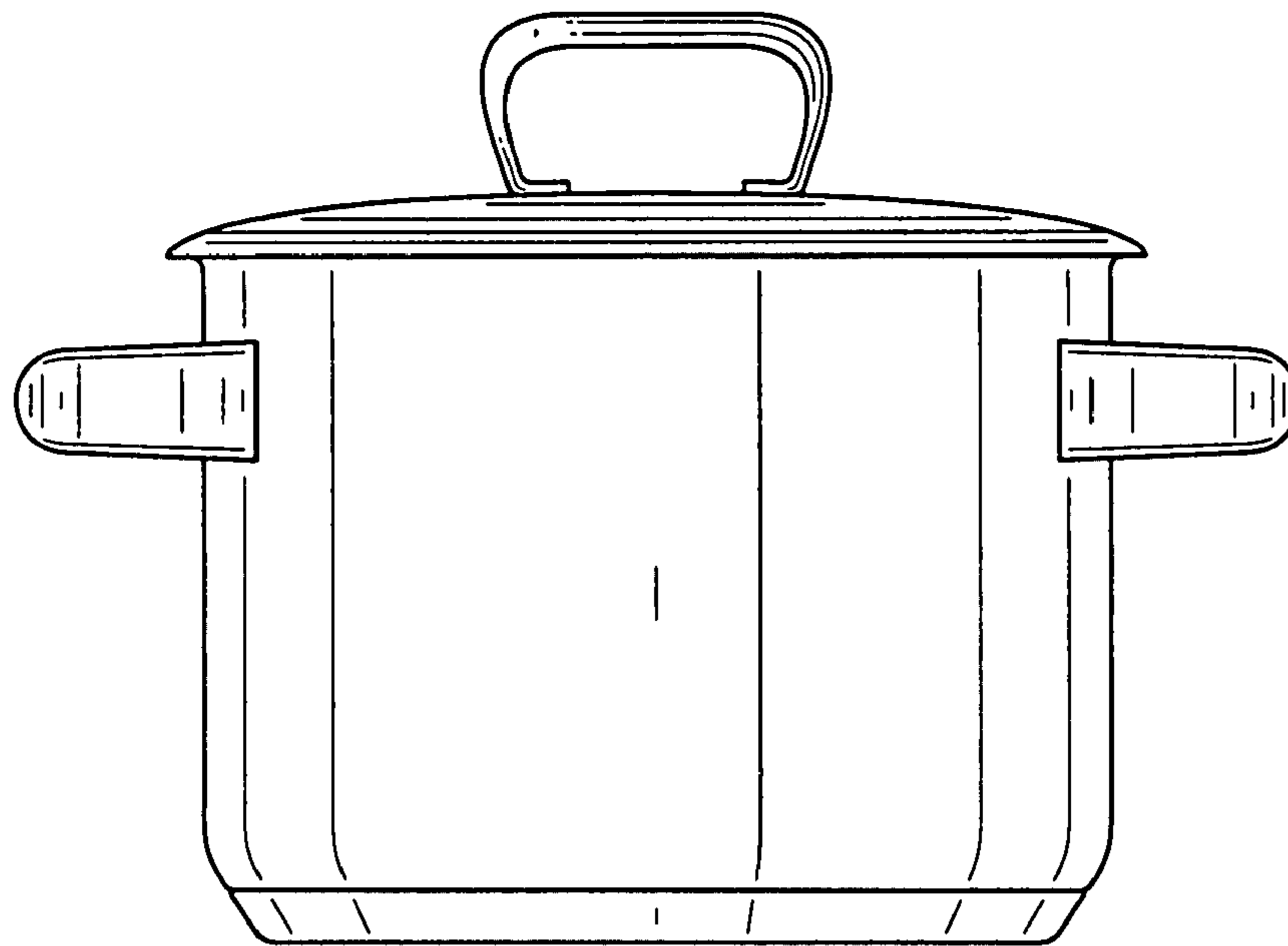


FIG. 2

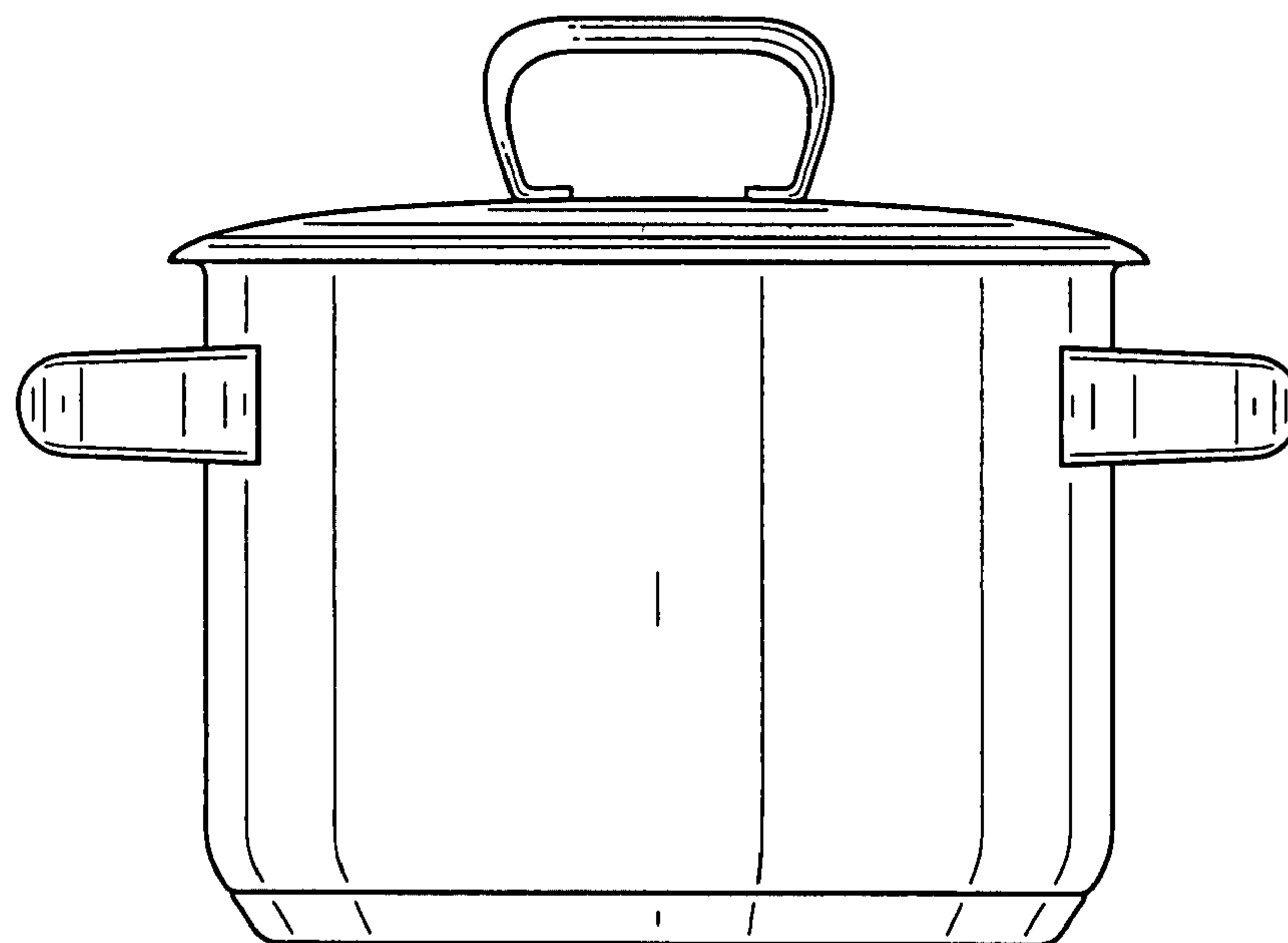


FIG. 3

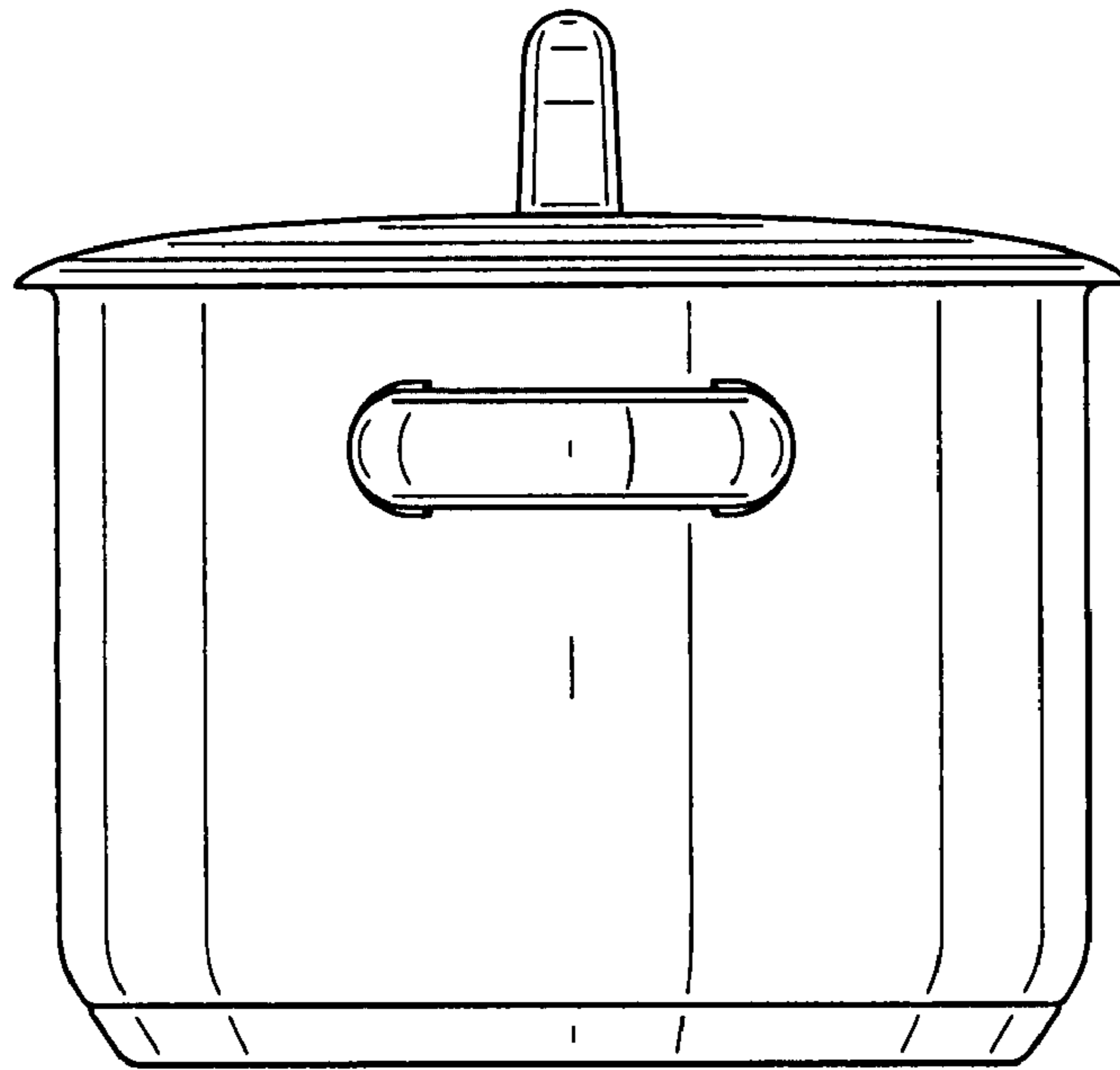


FIG. 4

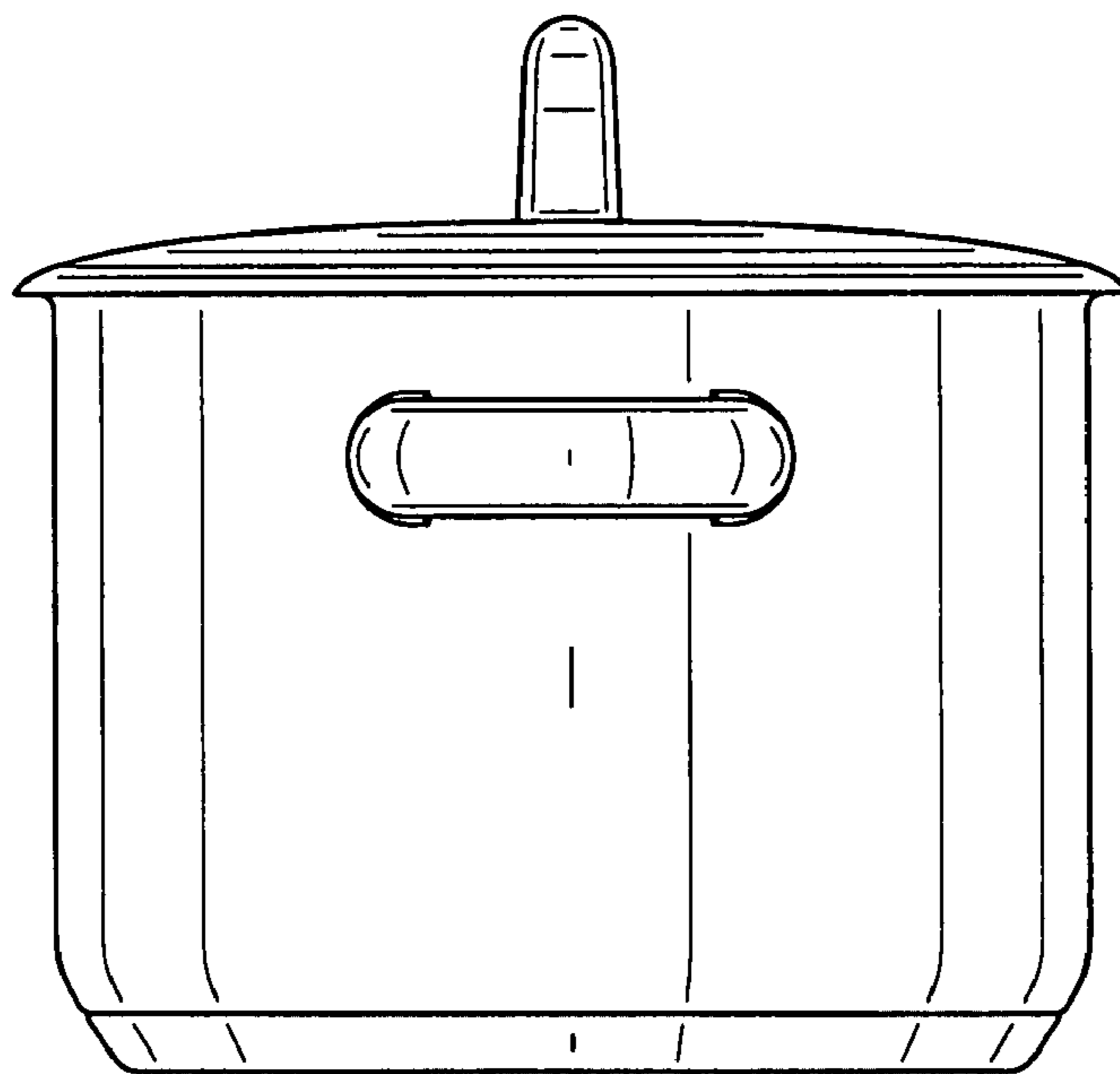


FIG. 5

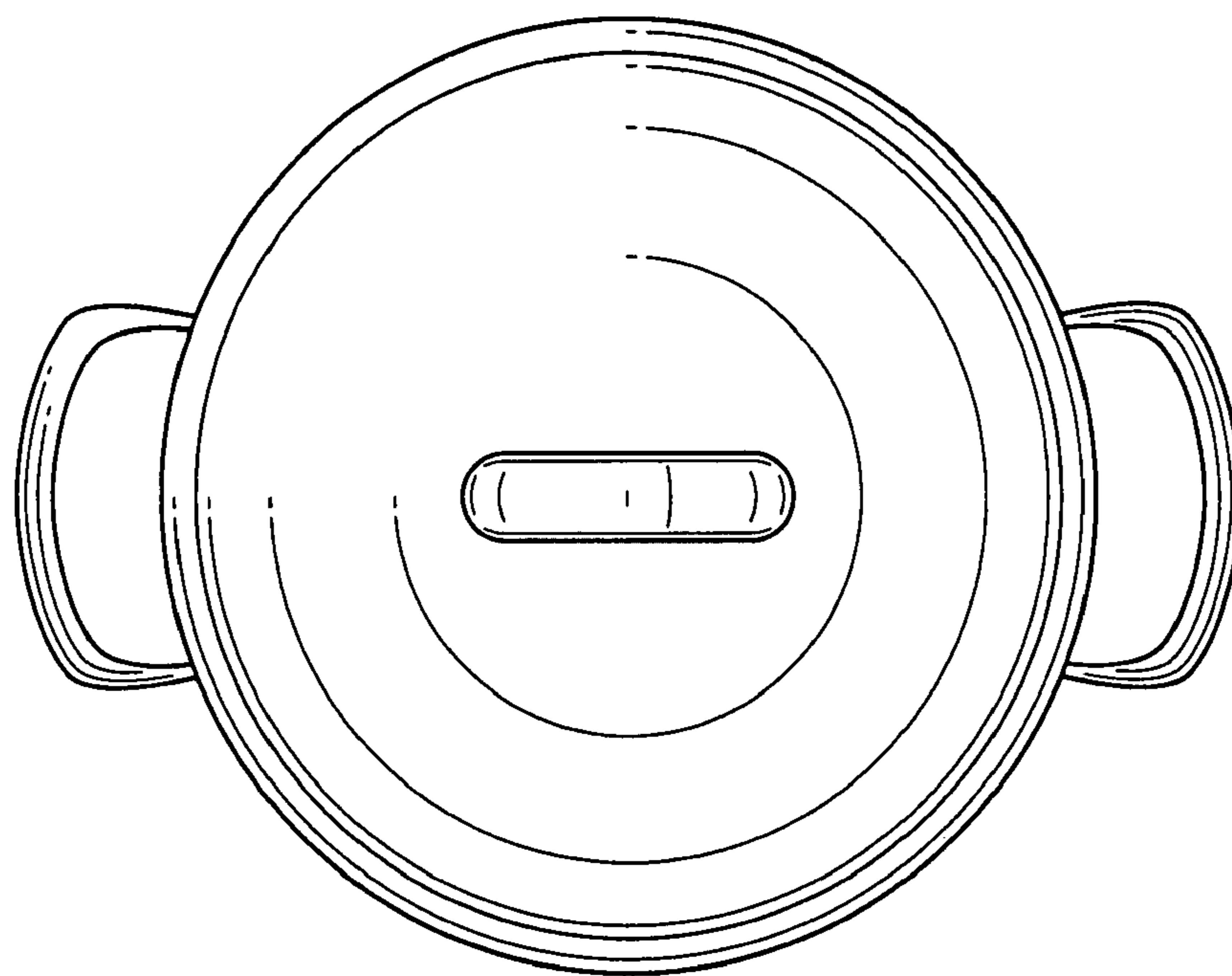


FIG. 6

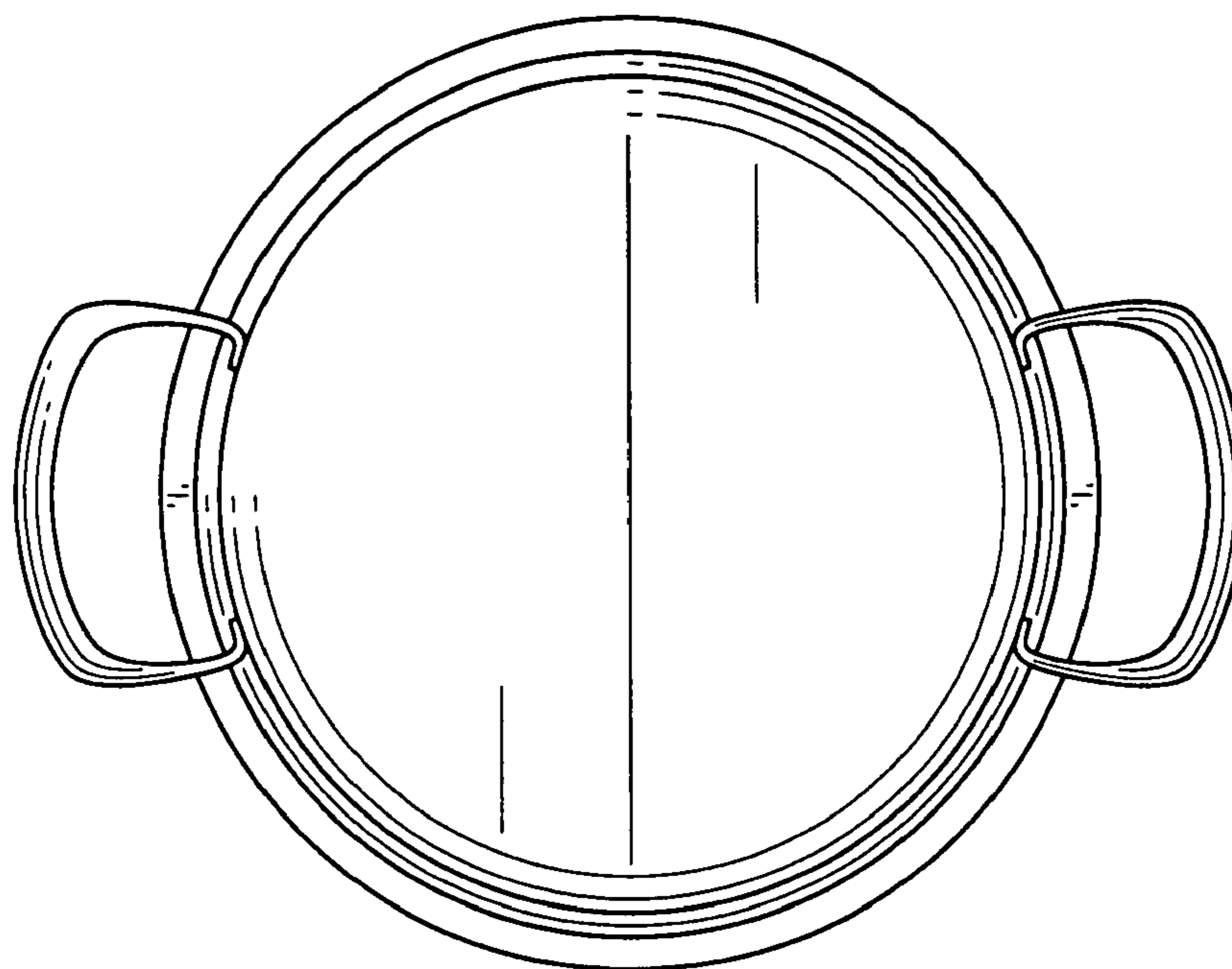


FIG. 7