



US00D568676S

(12) **United States Design Patent**
Steiner et al.

(10) **Patent No.: US D568,676 S**
(45) **Date of Patent: ** May 13, 2008**

(54) **SLOW COOKER**

(75) Inventors: **Mark C. Steiner**, Richmond, VA (US);
Cory Borovicka, San Francisco, CA
(US); **Adam Steinman**, Richmond, VA
(US)

(73) Assignee: **Hamilton Beach Brands, Inc.**, Glen
Allen, VA (US)

(**) Term: **14 Years**

(21) Appl. No.: **29/254,798**

(22) Filed: **Feb. 28, 2006**

(51) **LOC (8) Cl.** **07-02**

(52) **U.S. Cl.** **D7/354**

(58) **Field of Classification Search** D7/323,
D7/545, 354-361, 337; 219/429-435, 401,
219/438, 440-442; 99/324, 337, 340, 347,
99/403, 410, 411-413, 419; 220/315, 573.1,
220/912

See application file for complete search history.

(56) **References Cited**

U.S. PATENT DOCUMENTS

- 3,285,159 A 11/1966 Greene
- 3,619,560 A 11/1971 Buiting et al.
- 3,650,201 A 3/1972 Jovanovic
- 4,307,287 A 12/1981 Weiss
- D281,050 S 10/1985 Cesaroni et al.
- 5,567,458 A 10/1996 Wu
- D391,926 S 3/1998 Brunner et al.
- 5,771,783 A 6/1998 Uss
- D416,434 S * 11/1999 Pollnow D7/360
- D420,246 S 2/2000 Alonge et al.
- D425,360 S * 5/2000 Dobson et al. D7/360
- D433,869 S * 11/2000 Wong et al. D7/360
- 6,191,393 B1 2/2001 Park
- 6,274,847 B1 8/2001 Hlava et al.
- D450,528 S * 11/2001 Rossman D7/360
- D453,091 S 1/2002 Gouthiere
- 6,362,459 B1 3/2002 Schmidt
- D455,040 S 4/2002 Pannoizzo et al.

- RE37,988 E 2/2003 Uss
- 6,573,483 B1 6/2003 DeCobert et al.
- D480,908 S 10/2003 Krasne
- 6,698,923 B2 3/2004 Bedetti et al.
- 6,705,209 B2 * 3/2004 Yang et al. 99/337
- D488,951 S 4/2004 Josancy
- 6,730,889 B1 5/2004 Jones-Lawlor
- 6,740,855 B1 5/2004 DeCobert et al.
- 6,744,019 B2 6/2004 Takegoshi
- 6,756,567 B1 6/2004 Suen
- 6,872,921 B1 * 3/2005 DeCobert et al. 219/441
- D503,584 S 4/2005 White et al.
- D520,806 S * 5/2006 Ryan D7/354
- D528,353 S * 9/2006 Brady et al. D7/360

(Continued)

OTHER PUBLICATIONS

West Bend Housewares, 6-Quart Electronic Crockery Cooker
Instruction Manual, Jan. 2005.

Primary Examiner—Mimosa De
Assistant Examiner—Ricky Pham

(74) *Attorney, Agent, or Firm*—Panitch Schwarze Belisario
& Nadel LLP

(57) **CLAIM**

The ornamental design for a slow cooker, as shown and
described.

DESCRIPTION

FIG. 1 is a top perspective view of a slow cooker in
accordance with my new design;

FIG. 2 is a front elevational view thereof;

FIG. 3 is a top plan view thereof;

FIG. 4 is a left-side elevational view thereof;

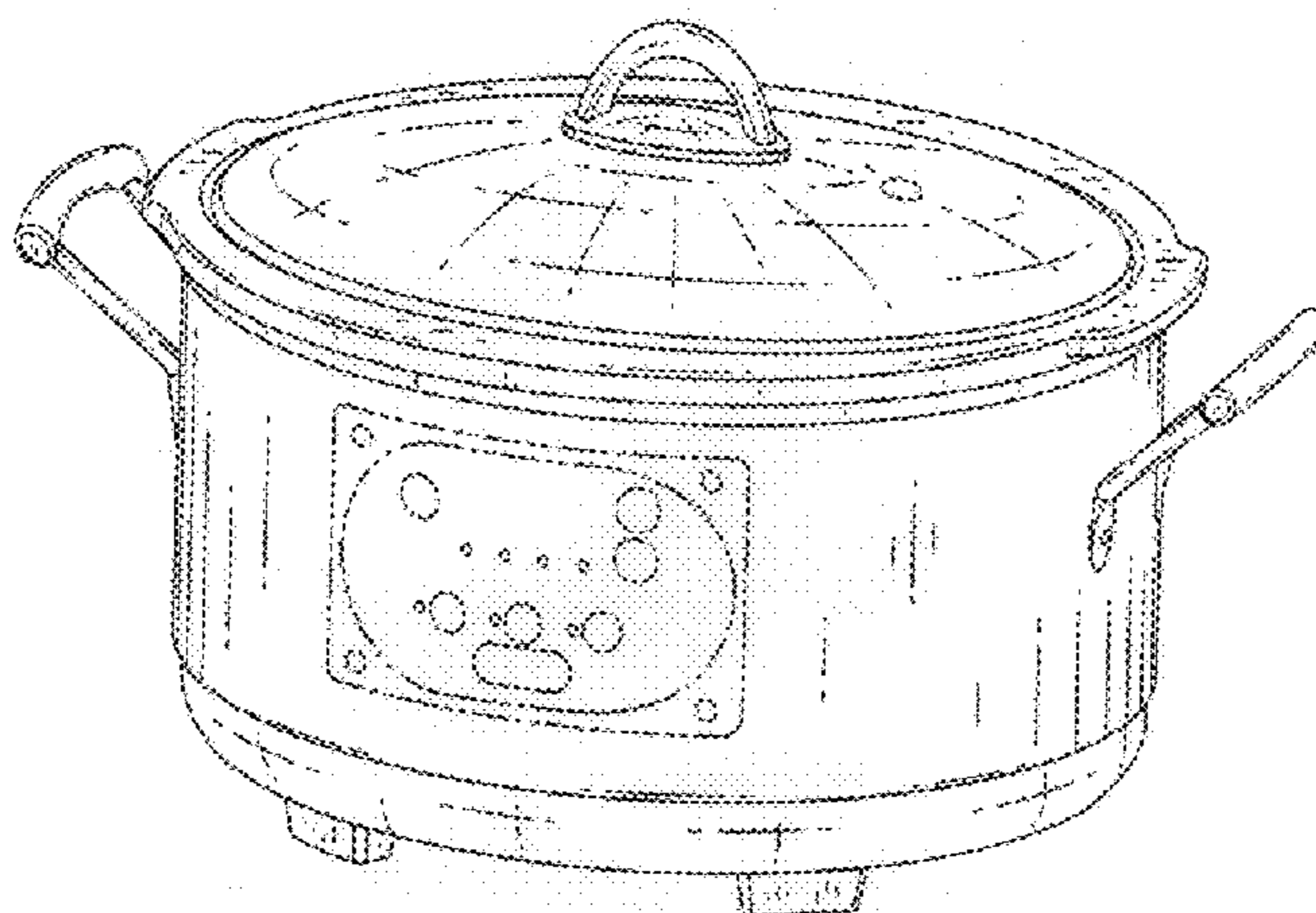
FIG. 5 is a right-side elevational view thereof;

FIG. 6 is a rear elevational view thereof; and,

FIG. 7 is a bottom plan view thereof.

The broken lines in the figures are for illustrative purposes
only and form no part of the claimed design.

1 Claim, 7 Drawing Sheets



US D568,676 S

Page 2

U.S. PATENT DOCUMENTS

7,140,506 B1 *	11/2006	Brady et al.	220/315	2005/0184048 A1	8/2005	DeCobert et al.	
D537,670 S *	3/2007	Genslak et al.	D7/354	2007/0210061 A1 *	9/2007	Tynes et al.	219/433
7,291,812 B2 *	11/2007	Kaney et al.	219/435	2007/0210062 A1 *	9/2007	Gaynor et al.	219/442

* cited by examiner

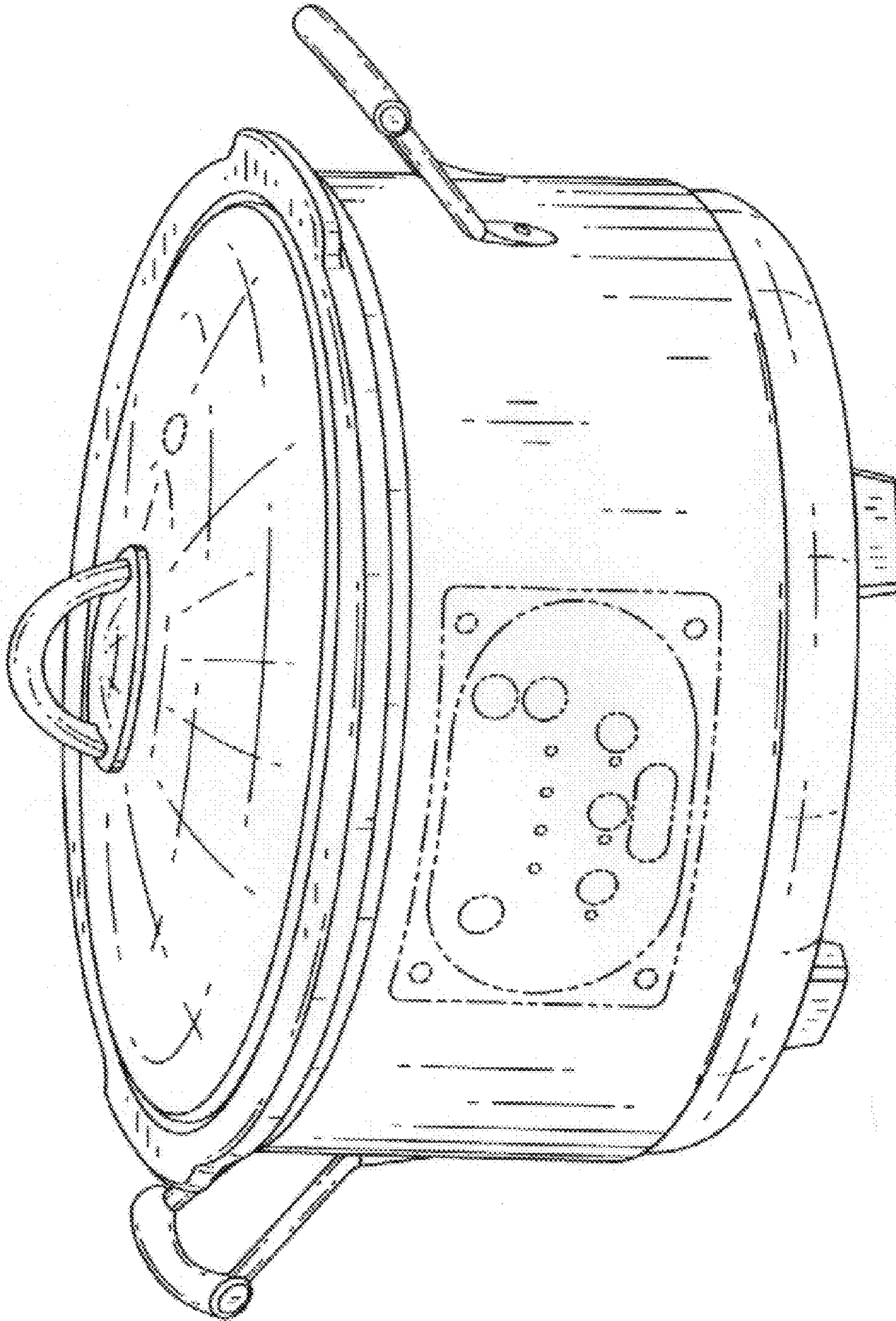


Fig. 1

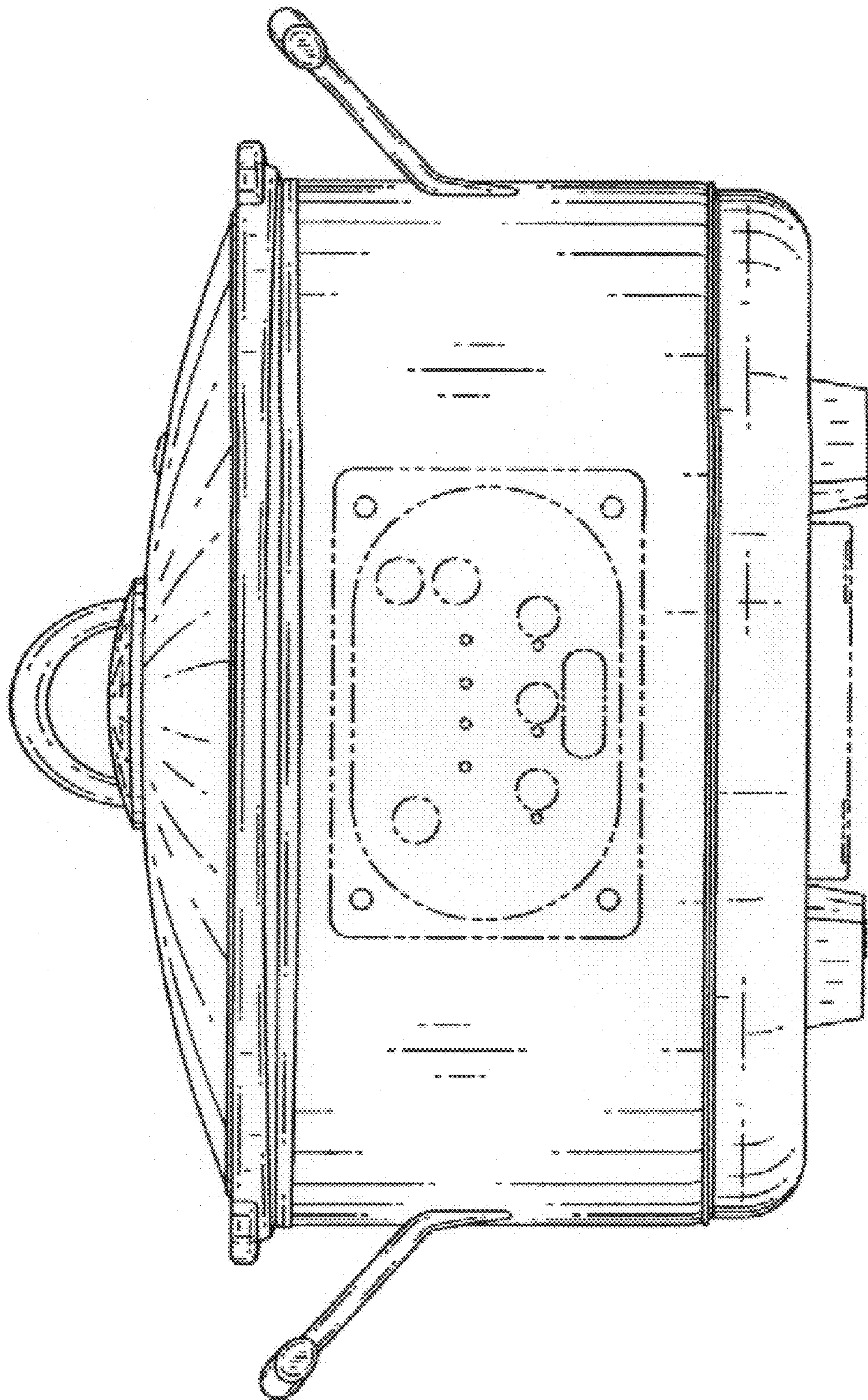


Fig. 2

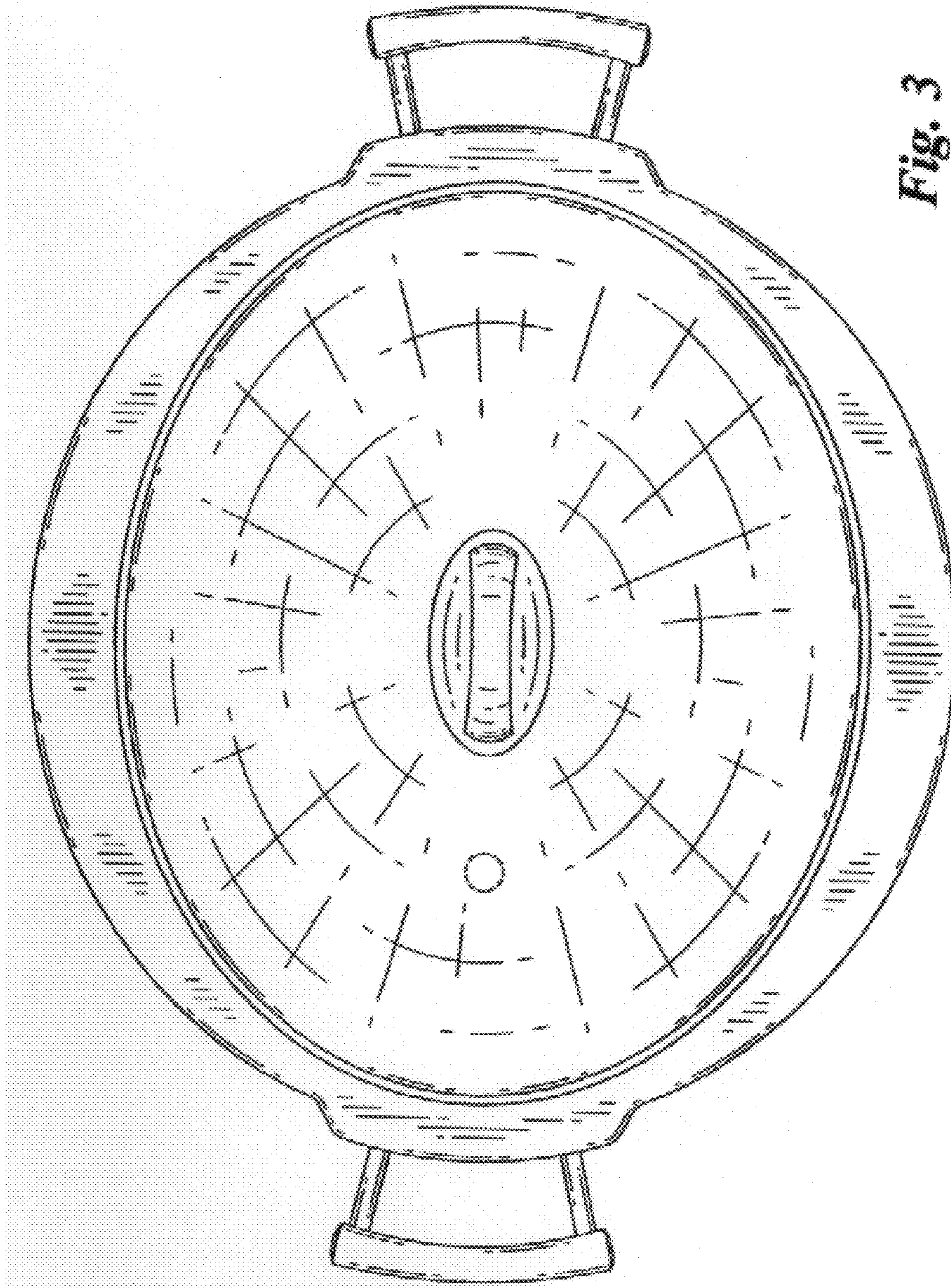


Fig. 3

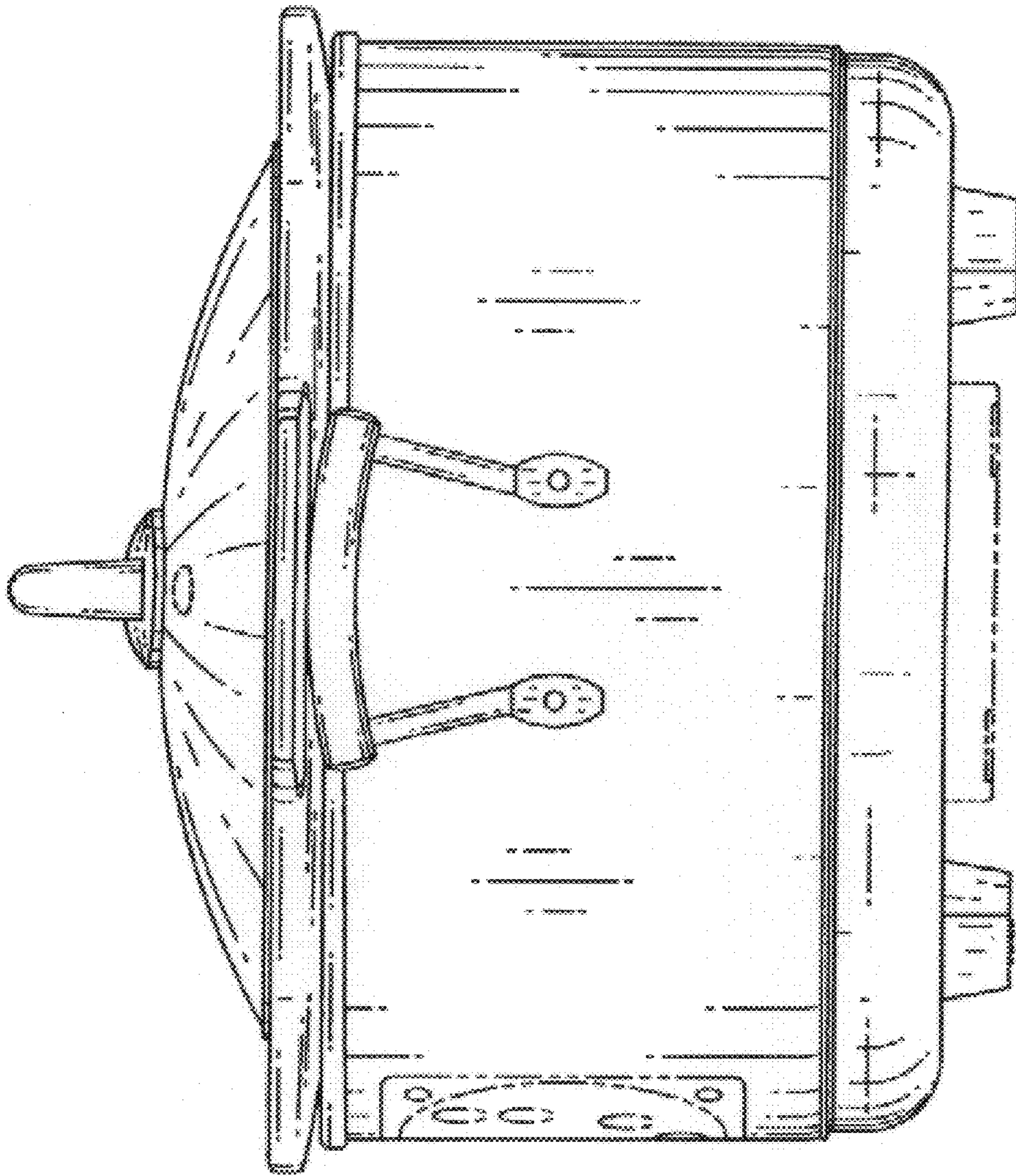


Fig. 4

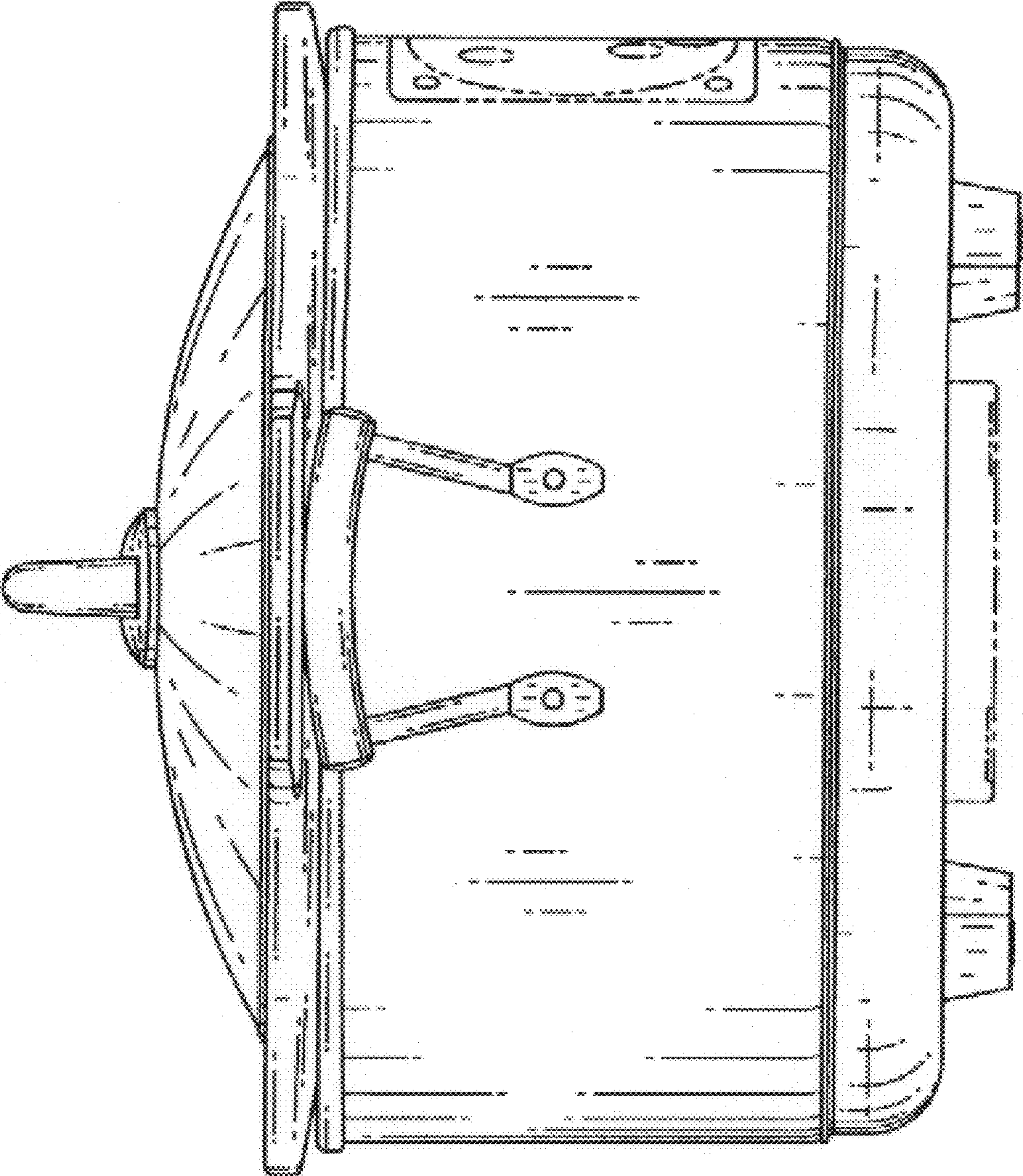


Fig. 5

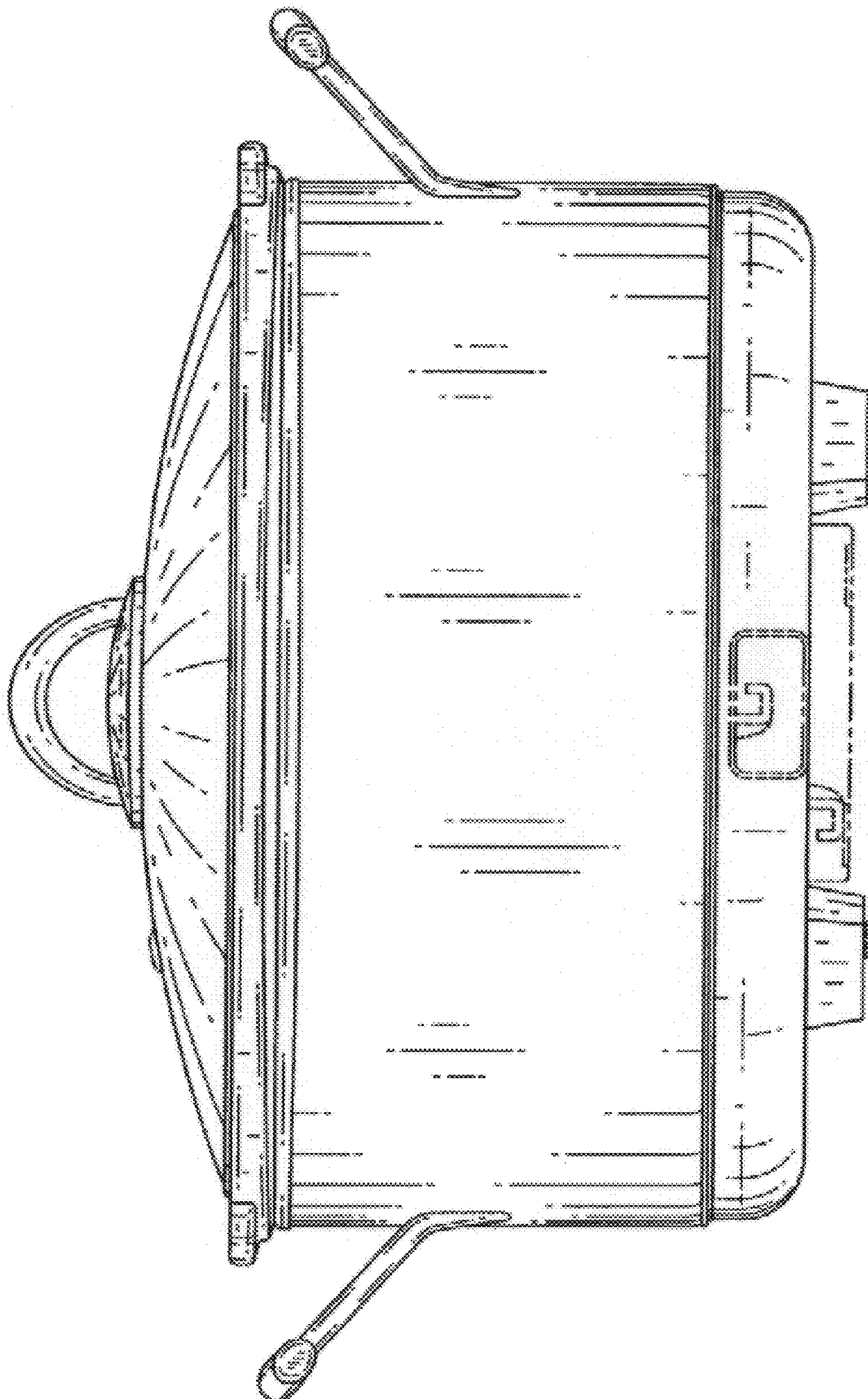


Fig. 6

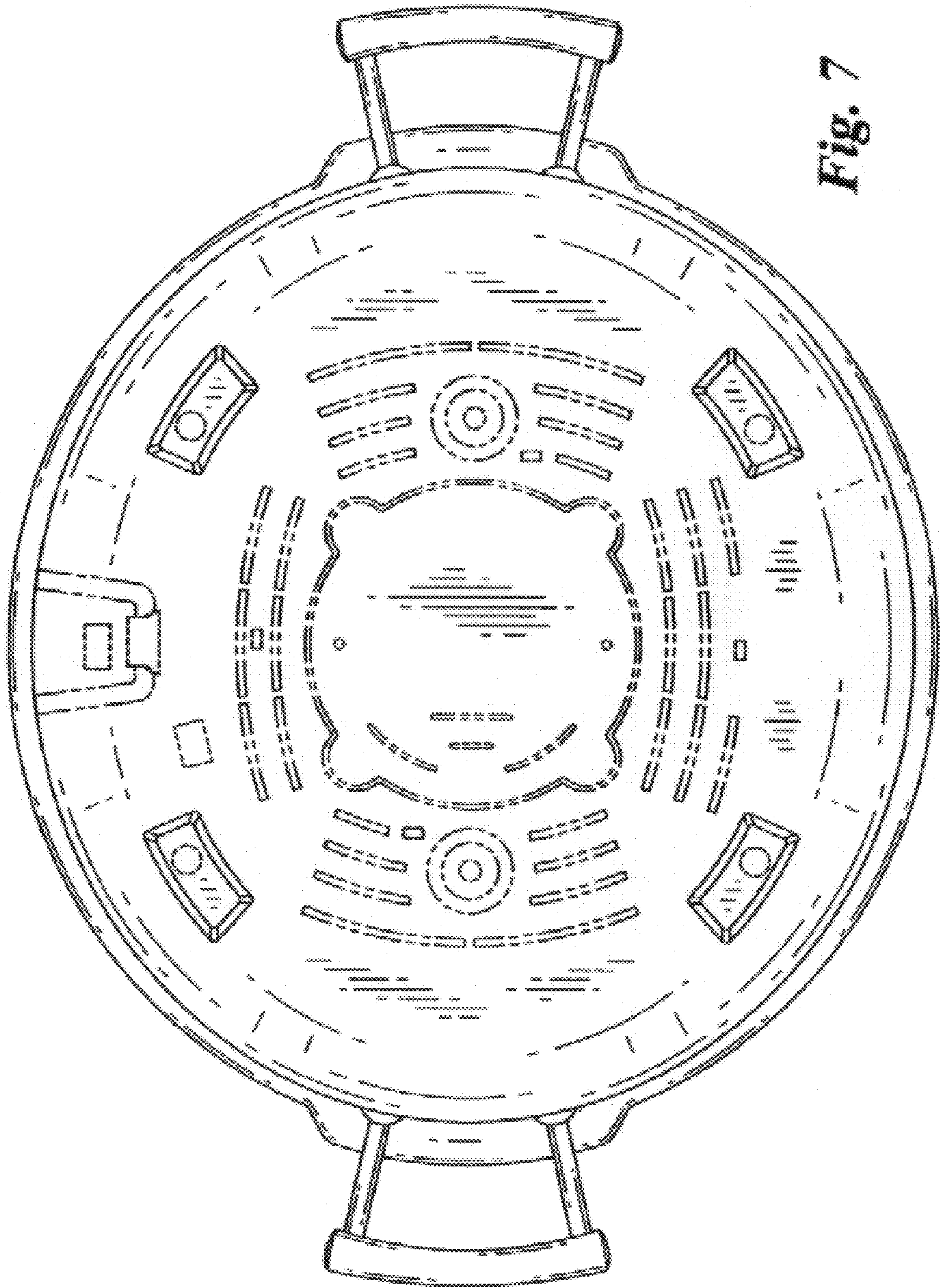


Fig. 7