

US00D568673S

(12) **United States Design Patent** (10) **Patent No.:** **US D568,673 S**
Tanaka (45) **Date of Patent:** **** May 13, 2008**

(54) **INDUCTION HEATING COOKER**

D542,597 S * 5/2007 Huxhold D7/407

(75) Inventor: **Hiroyuki Tanaka**, Kadoma (JP)

FOREIGN PATENT DOCUMENTS

(73) Assignee: **Matsushita Electric Industrial Co., Ltd.**, Osaka (JP)

EP	000355417-0001/0009	9/2005
JP	D1238169	5/2005
JP	D1253518	10/2005
JP	D1289518	12/2006
JP	D1302837	6/2007

(**) Term: **14 Years**

OTHER PUBLICATIONS

(21) Appl. No.: **29/296,463**

Miele Company Ltd., "Miele Built-in Appliances 2006", *Brochure*, Miele Company Ltd., 2006, 6 pages.
Meff, "Neff 2006 Collection", *Brochure*, Neff, 2006, 4 pages.
BSH Electrodomésticos España, "Bosch Electrodomésticos línea blanca", *Brochure*, Bosch, May 2007, 4 pages.

(22) Filed: **Oct. 22, 2007**

(30) **Foreign Application Priority Data**

Aug. 2, 2007 (JP) 2007-021140

* cited by examiner

(51) **LOC (8) Cl.** **07-02**

Primary Examiner—Catherine R. Oliver

(52) **U.S. Cl.** **D7/346**

(74) *Attorney, Agent, or Firm*—Brinks Hofer Gilson & Lione

(58) **Field of Classification Search** D7/346–348,
D7/339–341, 402–407; 126/19 R, 39 B,
126/39 C, 39 R, 273 R, 50

See application file for complete search history.

(57) **CLAIM**

(56) **References Cited**

I claim the ornamental design for an induction heating cooker, as shown and described.

U.S. PATENT DOCUMENTS

DESCRIPTION

D230,390 S	2/1974	Tyke et al.	
4,511,781 A	4/1985	Tucker et al.	
D312,748 S *	12/1990	Jung et al. D7/407
D384,239 S	9/1997	Wilsdorf	
6,198,080 B1	3/2001	Rice et al.	
D451,332 S	12/2001	Busalt	
D462,866 S	9/2002	Resuello et al.	
D469,304 S	1/2003	Becker et al.	
D482,931 S	12/2003	Staebler et al.	
D506,637 S	6/2005	Tanaka	
D508,816 S	8/2005	Tanaka	
D511,641 S *	11/2005	Kim D7/346
D536,207 S *	2/2007	Ostlund et al. D7/340
D536,208 S *	2/2007	Ostlund et al. D7/340

FIG. 1 is a top perspective view of an induction heating cooker of the present invention;

FIG. 2 is a top view thereof;

FIG. 3 is a front view thereof, the rear view being a mirror image thereof; and,

FIG. 4 is a right side view thereof, the left side view being a mirror image thereof.

The broken line showing of induction heating cooker is included for the purpose of illustrating environment and forms no part of the claimed design.

1 Claim, 2 Drawing Sheets

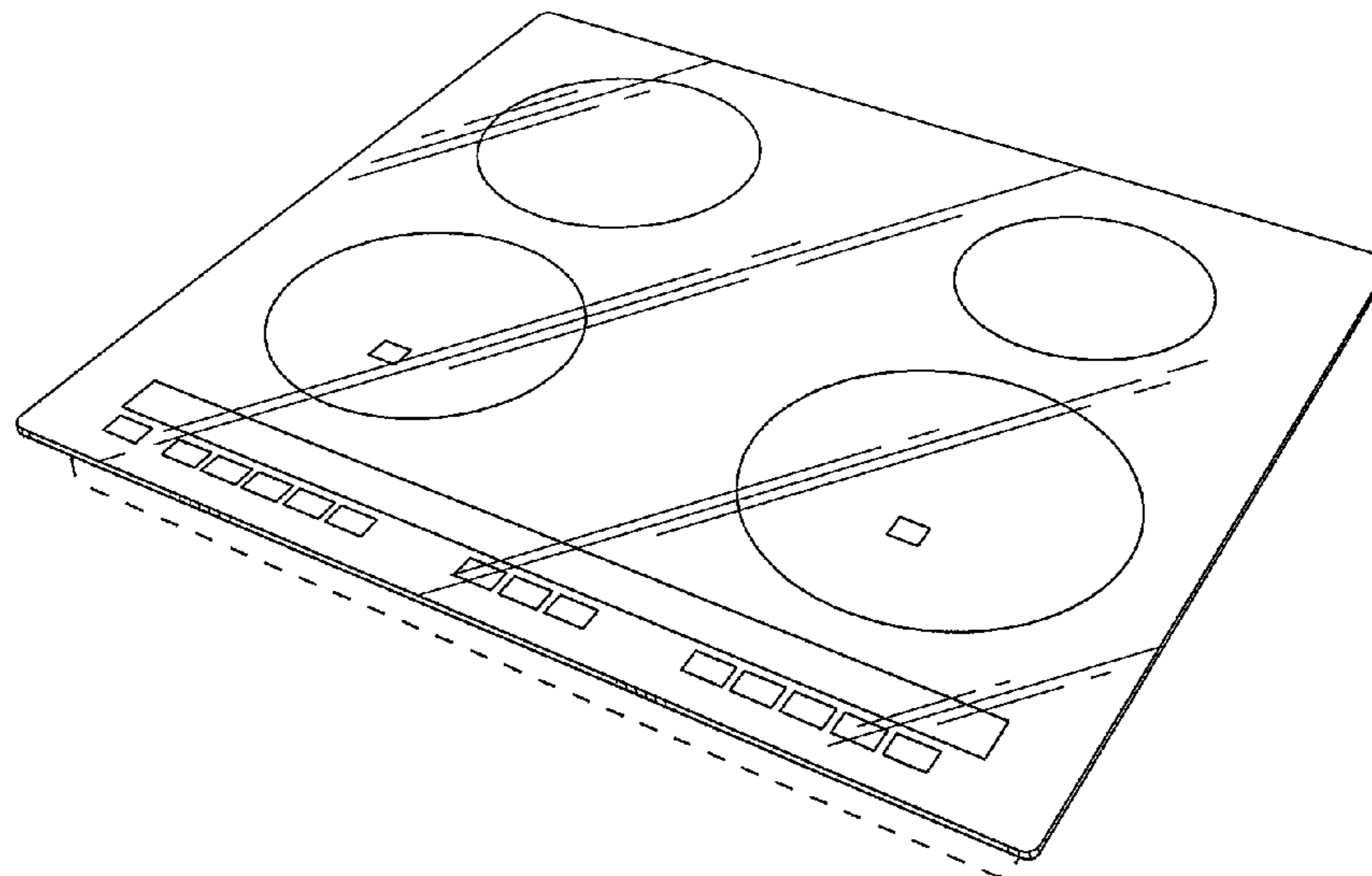


FIG.1

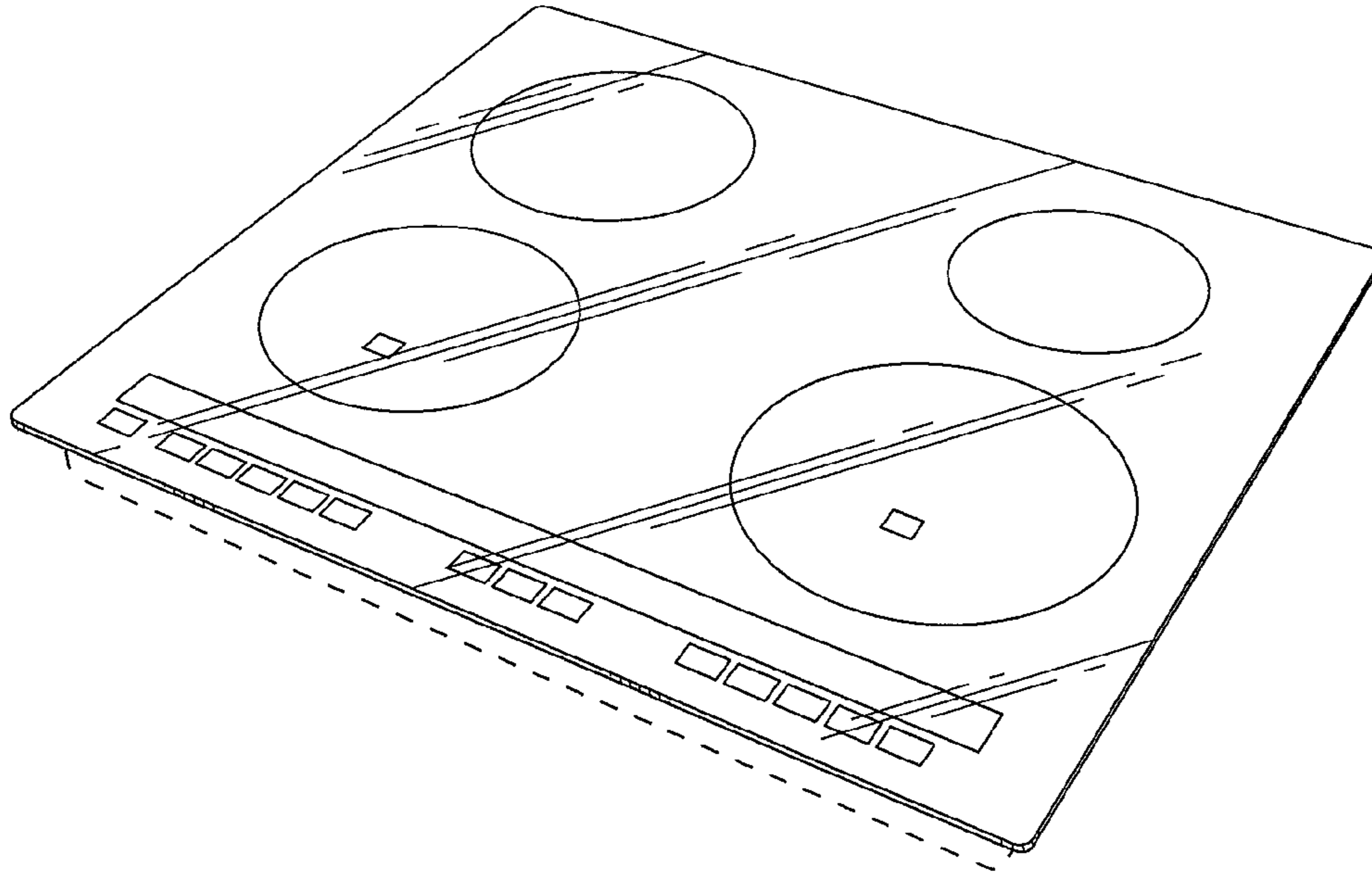


FIG.2

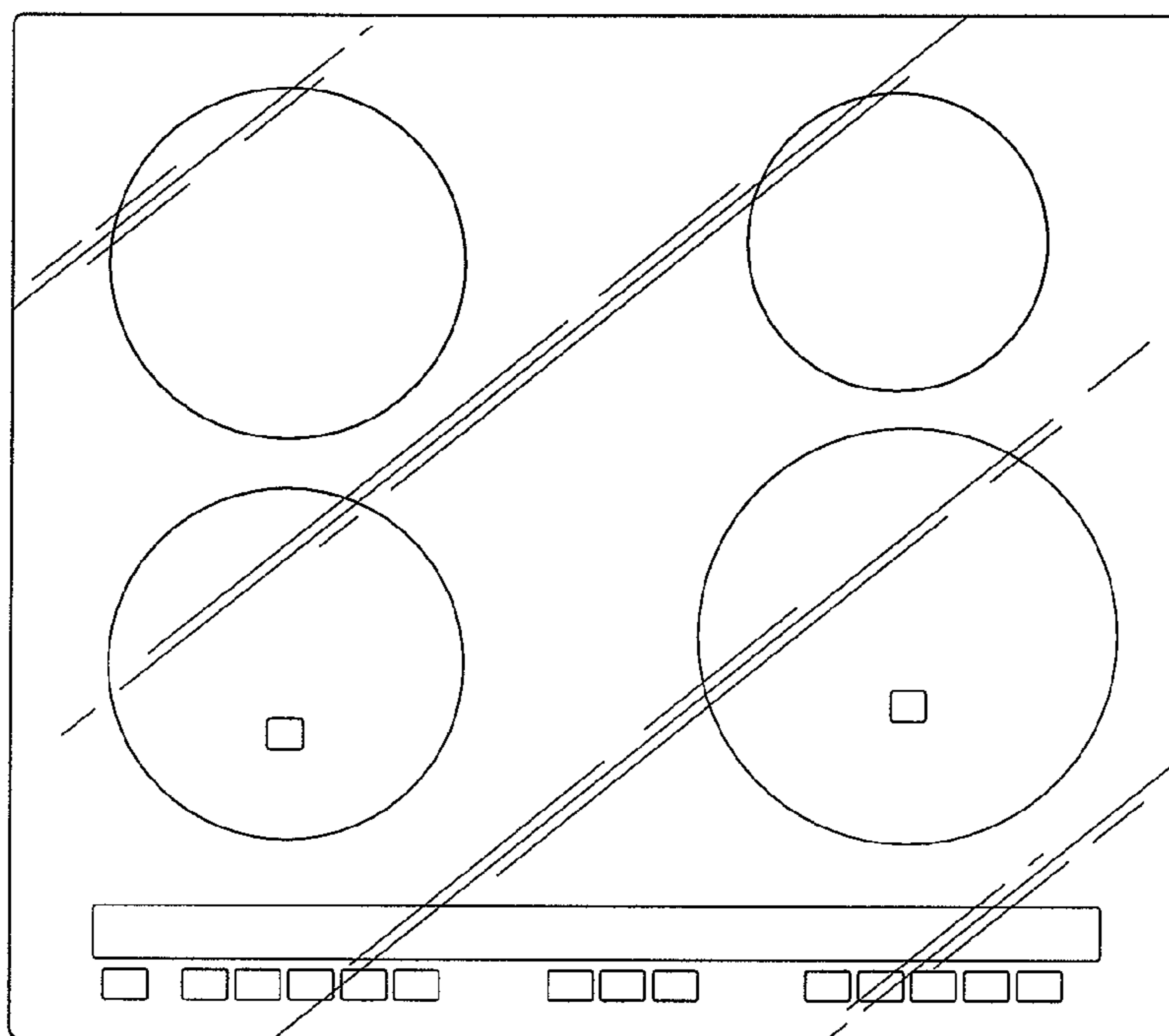


FIG.3

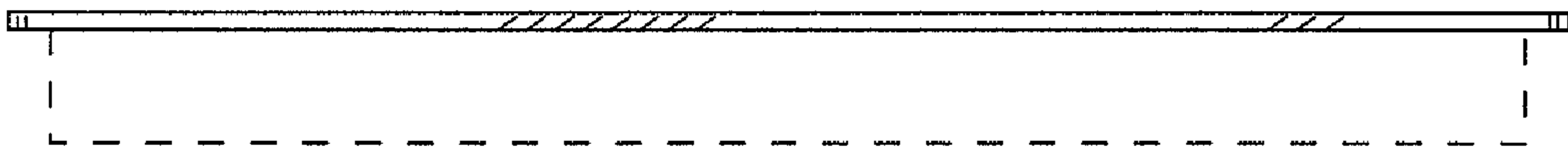


FIG.4

