



US00D568671S

(12) **United States Design Patent**
Cheng

(10) **Patent No.:** **US D568,671 S**

(45) **Date of Patent:** **** May 13, 2008**

(54) **BARBECUE GRILL**

(75) Inventor: **Jeffrey Cheng**, Taipei (TW)

(73) Assignee: **Collins Co., Ltd.**, Taipei (TW)

(**) Term: **14 Years**

(21) Appl. No.: **29/246,624**

(22) Filed: **Apr. 27, 2006**

(51) **LOC (8) Cl.** **07-02**

(52) **U.S. Cl.** **D7/337**

(58) **Field of Classification Search** D7/332,
D7/337, 402-405; 126/25 A, 25 AA, 9 R,
126/9 A, 9 B, 38, 37 R, 41 R, 40, 50, 12,
126/276, 8, 304 R; 99/481-482; 312/249.13,
312/249.8, 351.2

See application file for complete search history.

(56) **References Cited**

U.S. PATENT DOCUMENTS

D458,506 S	*	6/2002	DeMars	D7/332
D464,844 S	*	10/2002	Pai	D7/337
D503,582 S	*	4/2005	Johnson et al.	D7/332
D511,433 S	*	11/2005	Zhang	D7/337

* cited by examiner

Primary Examiner—Ruth McInroy

(74) *Attorney, Agent, or Firm*—Alan Kamrath; Kamrath & Associates PA

(57) **CLAIM**

I claim the ornamental design for a barbecue grill, as shown and described.

DESCRIPTION

FIG. 1 is the perspective view of a barbecue grill showing my new design;

FIG. 2 is the front elevational view thereof;

FIG. 3 is the rear elevational view thereof;

FIG. 4 is the left side elevational view thereof;

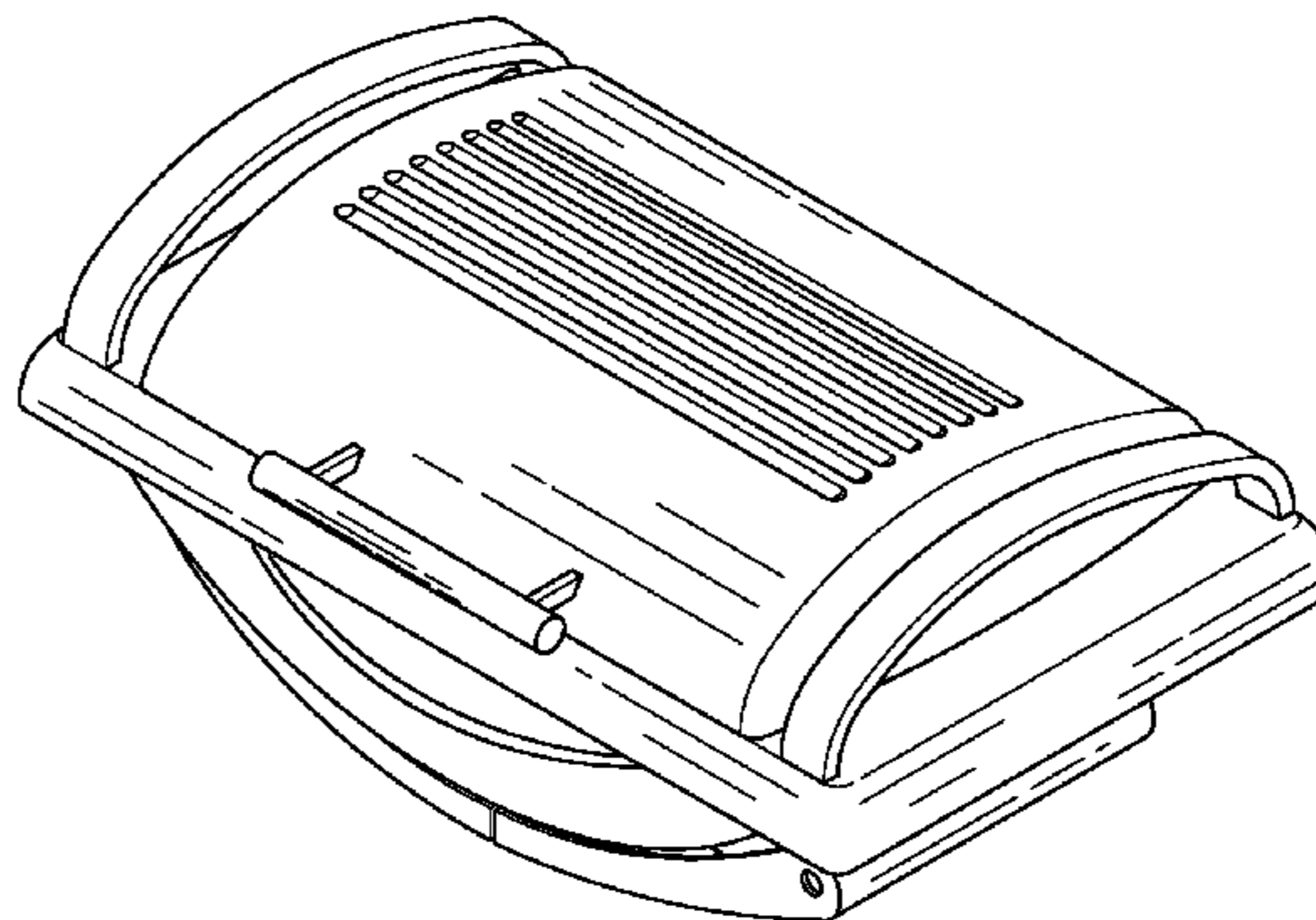
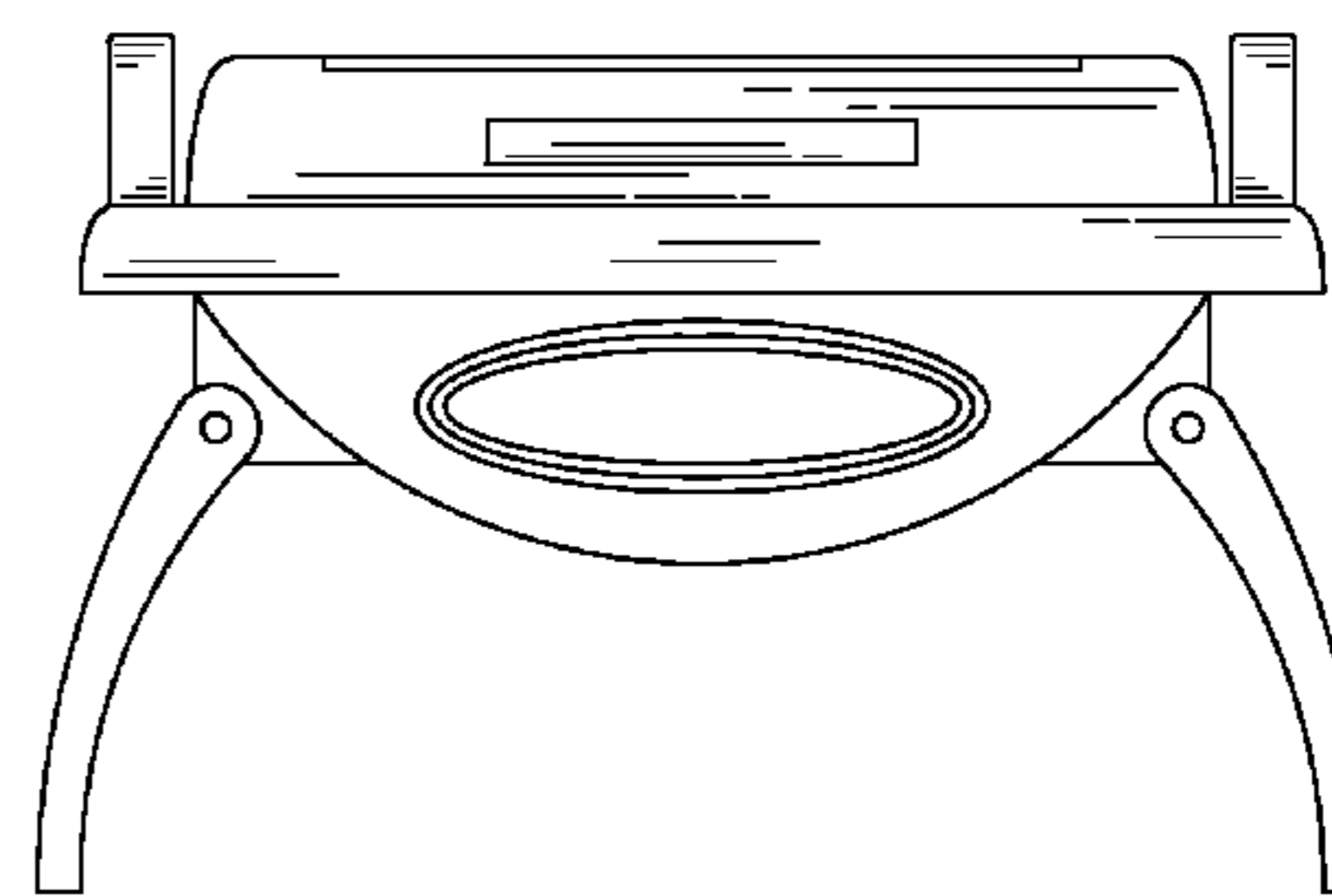
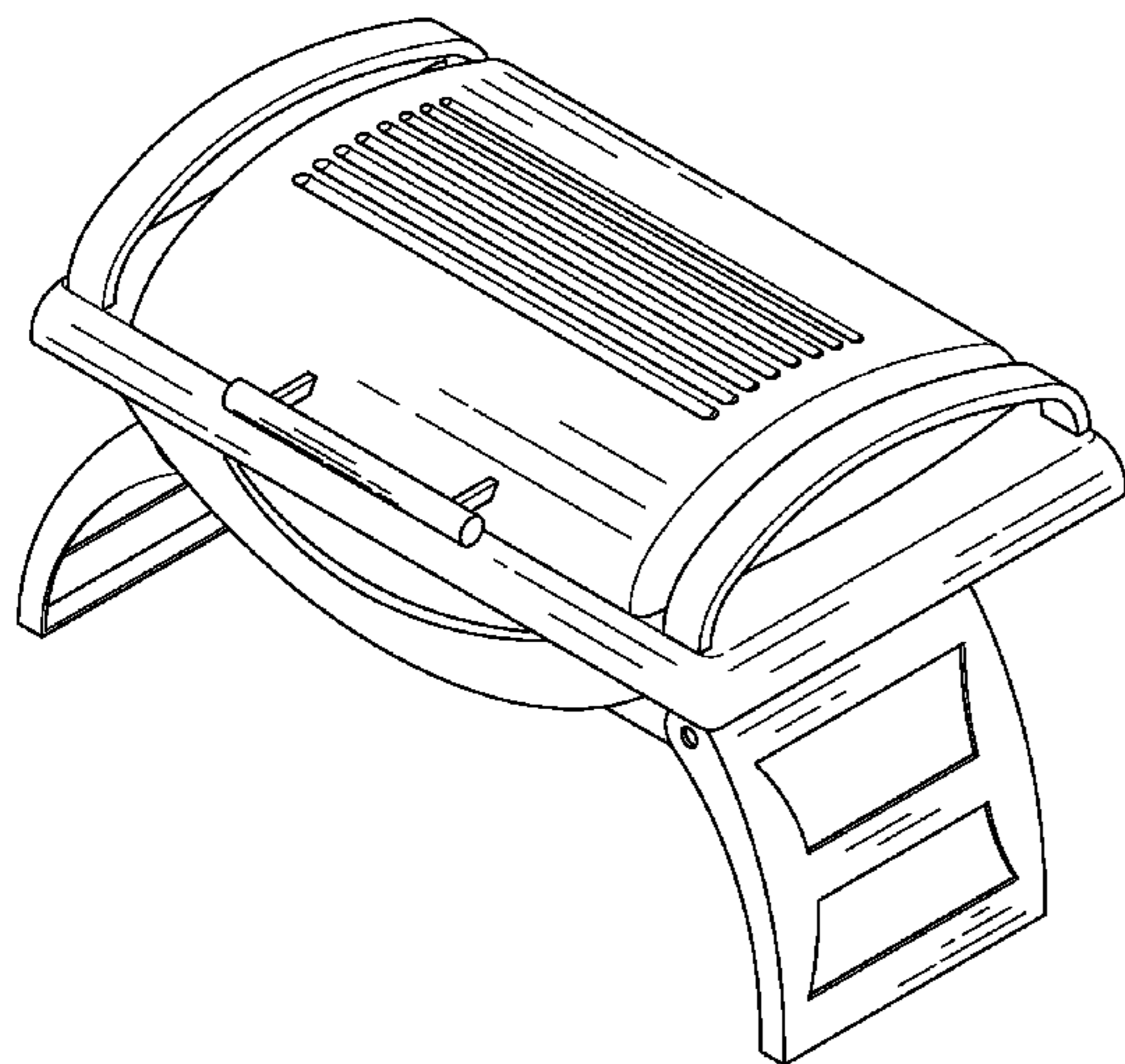
FIG. 5 is the right side elevational view thereof;

FIG. 6 is the top plan view thereof;

FIG. 7 is the bottom plan view thereof; and,

FIG. 8 is a perspective view of thereof with the legs in a folded, storage position.

1 Claim, 8 Drawing Sheets



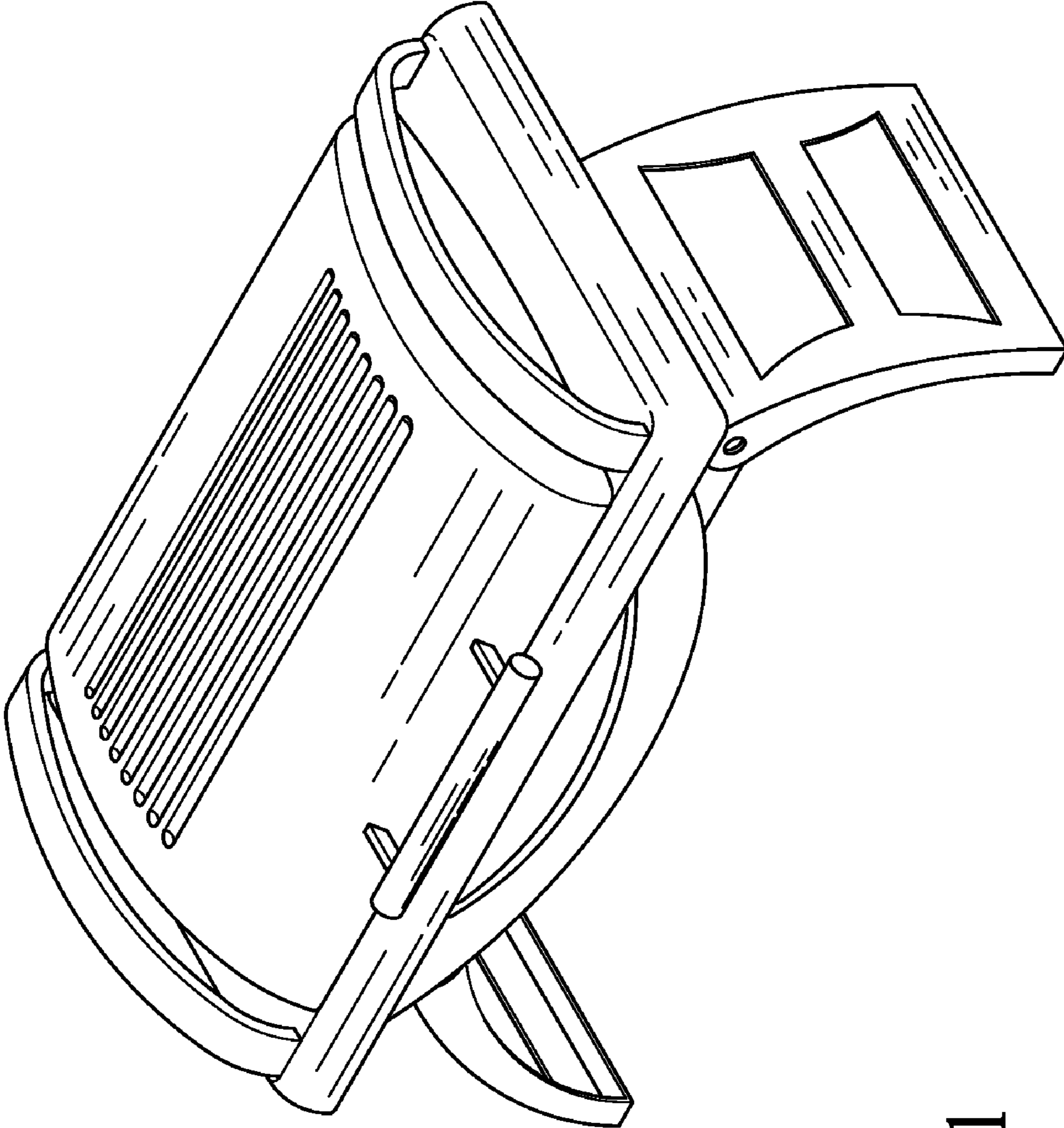


Fig. 1

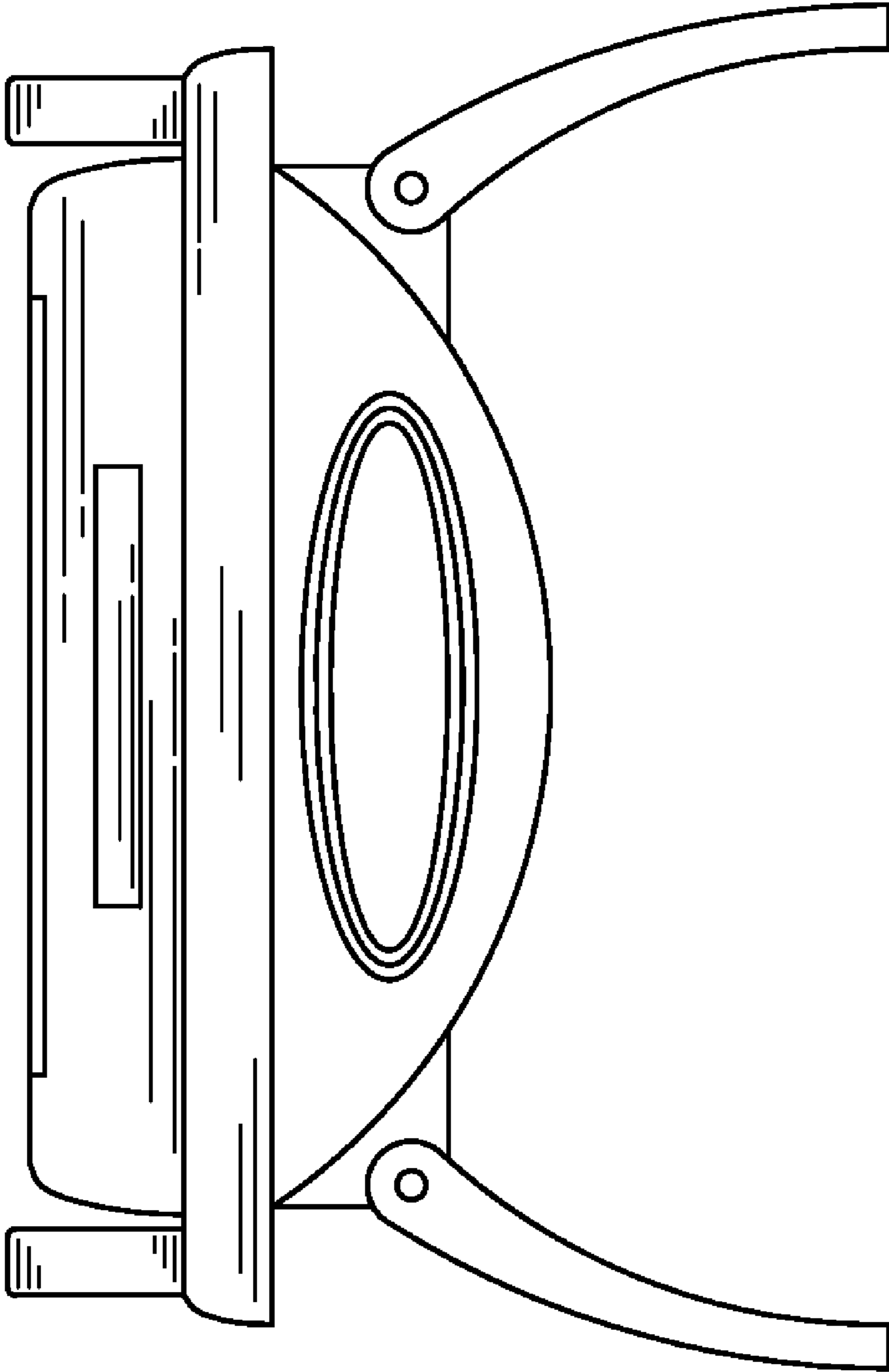


Fig. 2

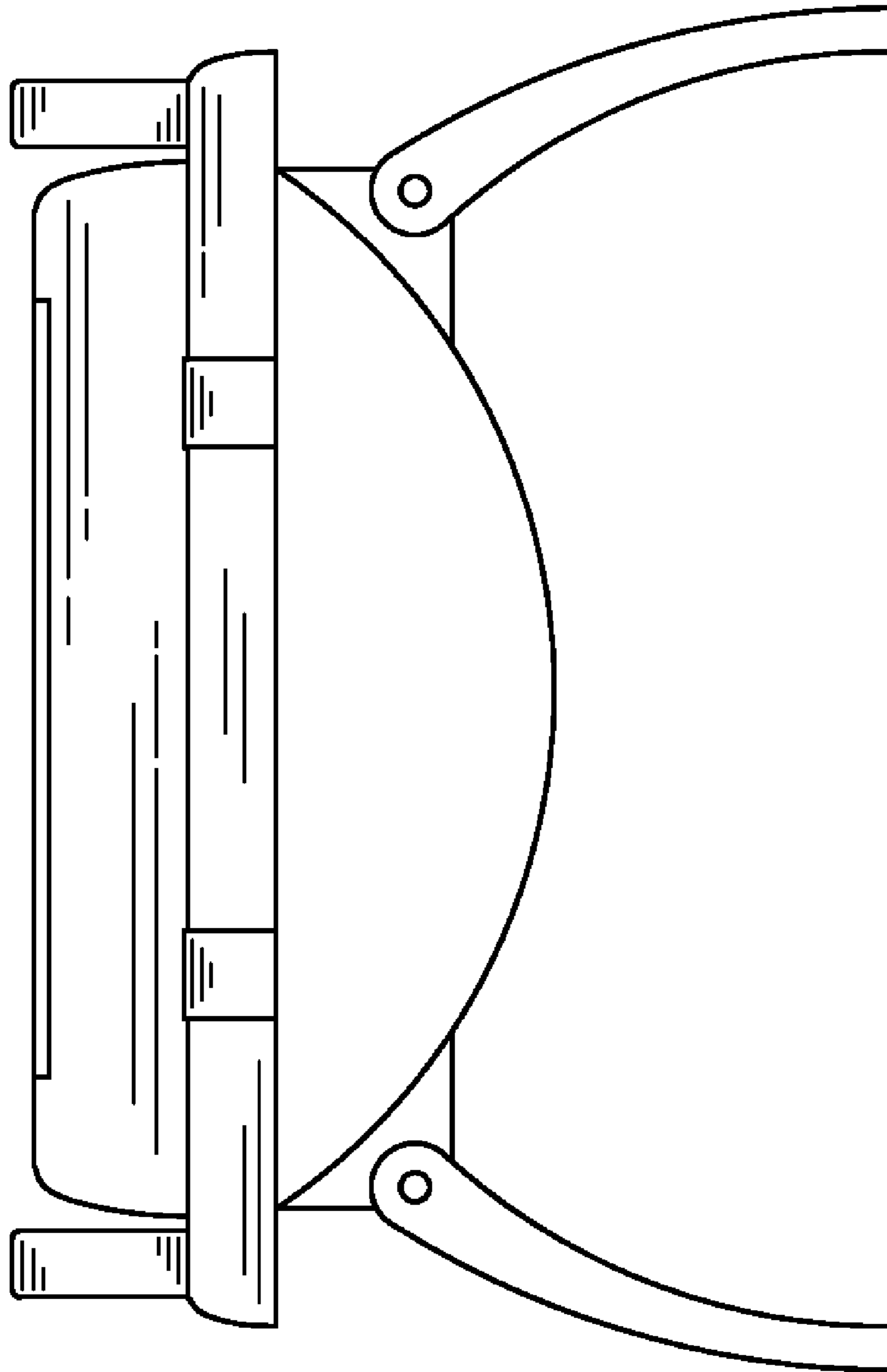


Fig. 3

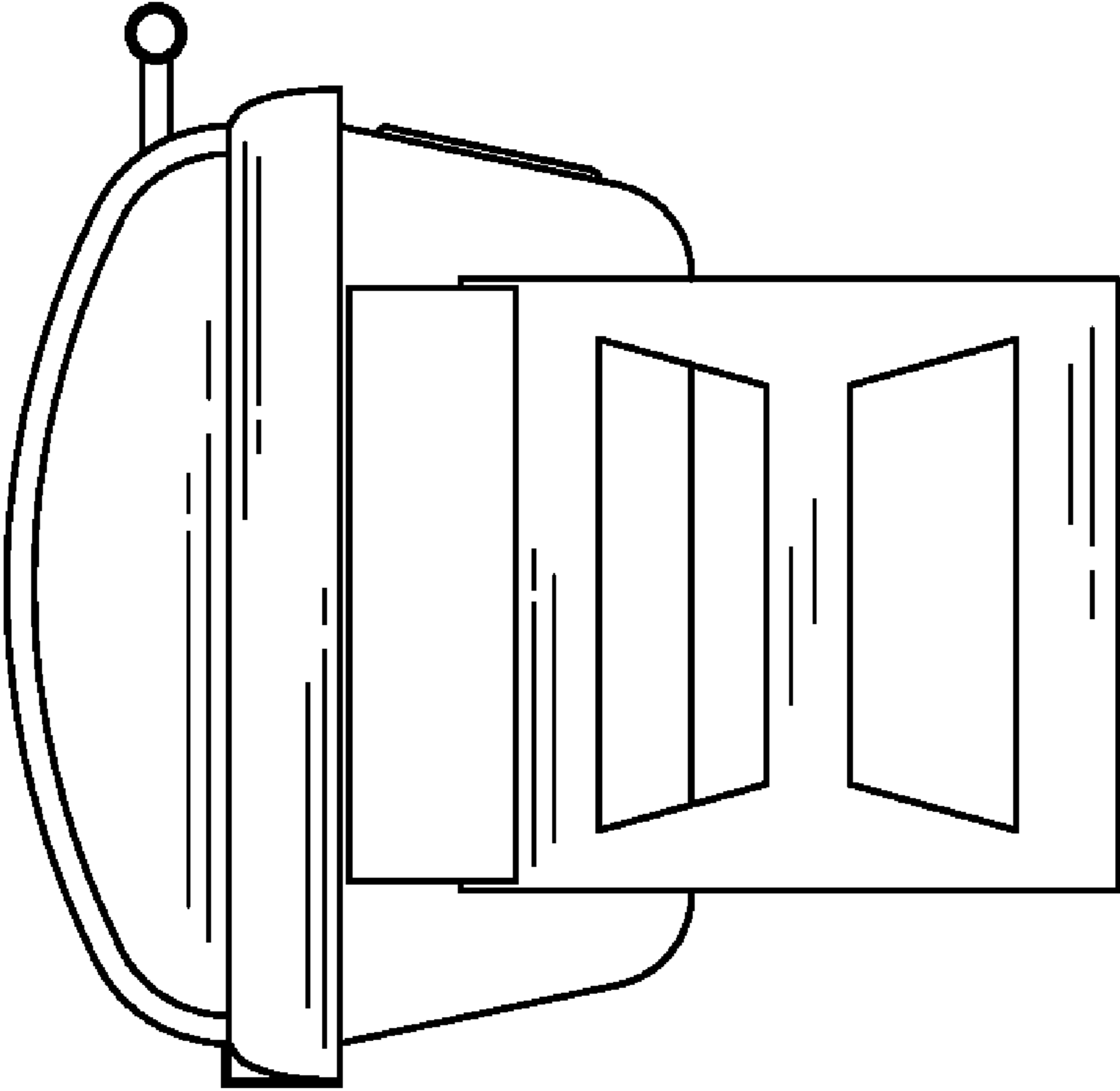


Fig. 4

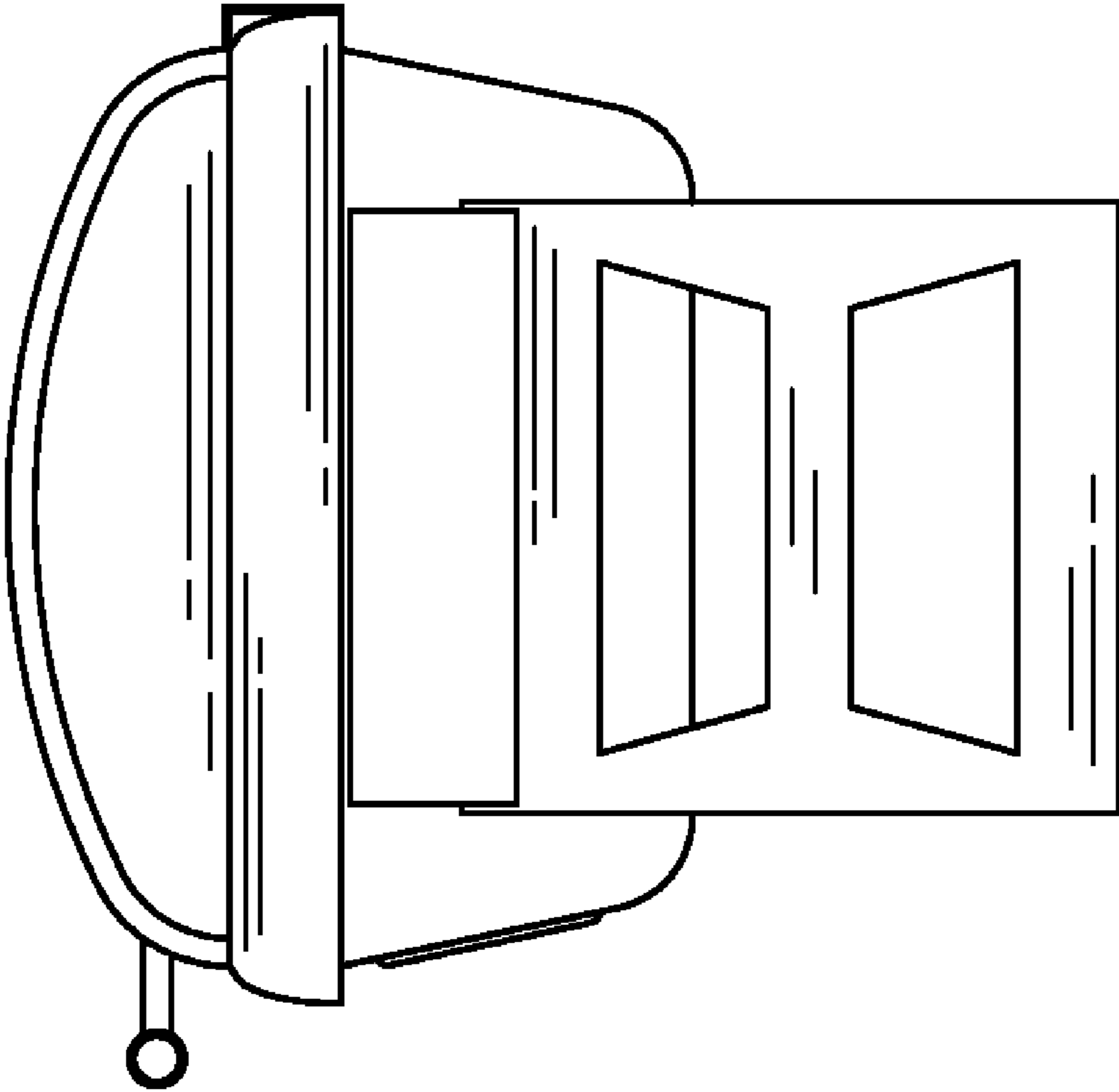


Fig. 5

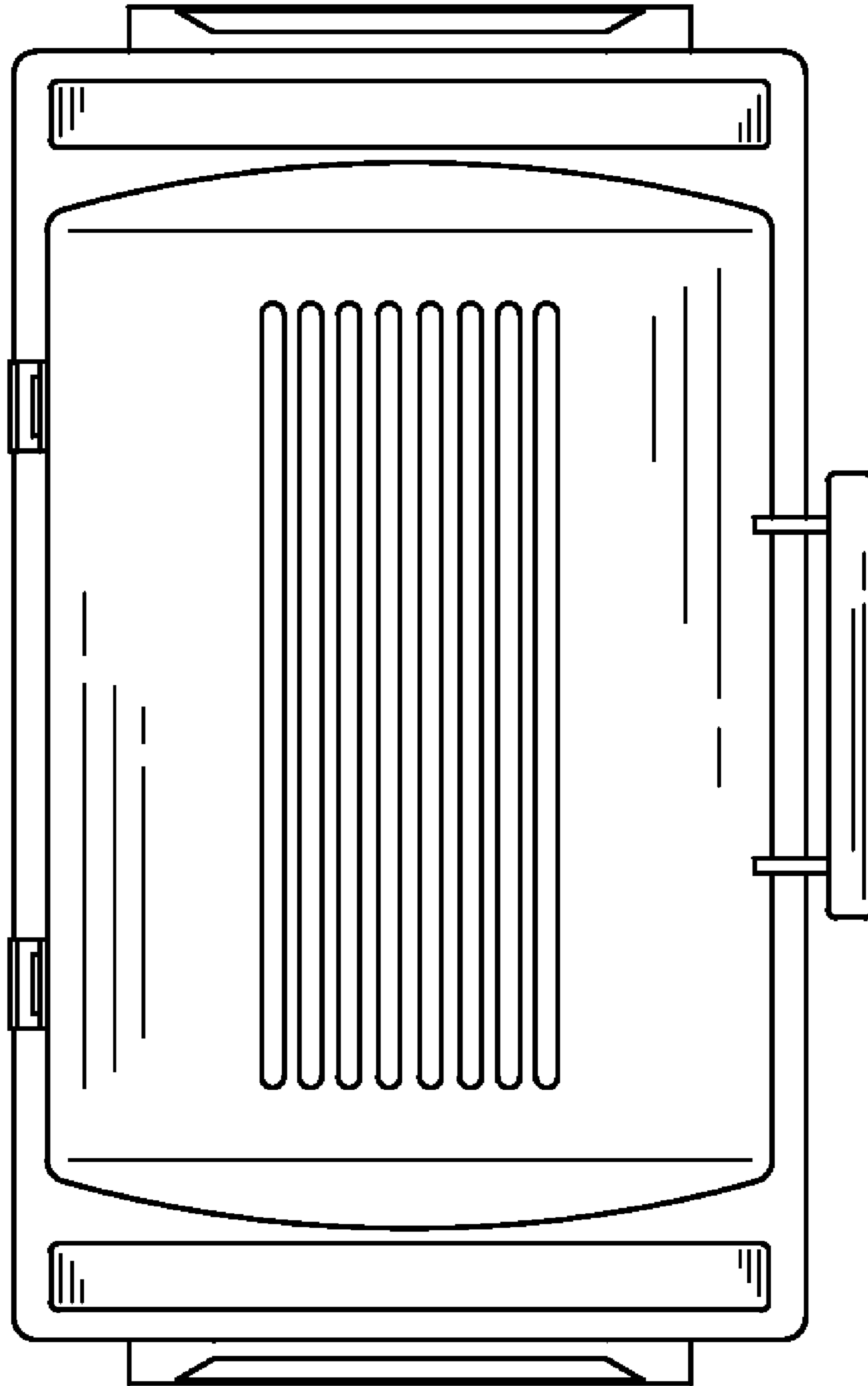


Fig. 6

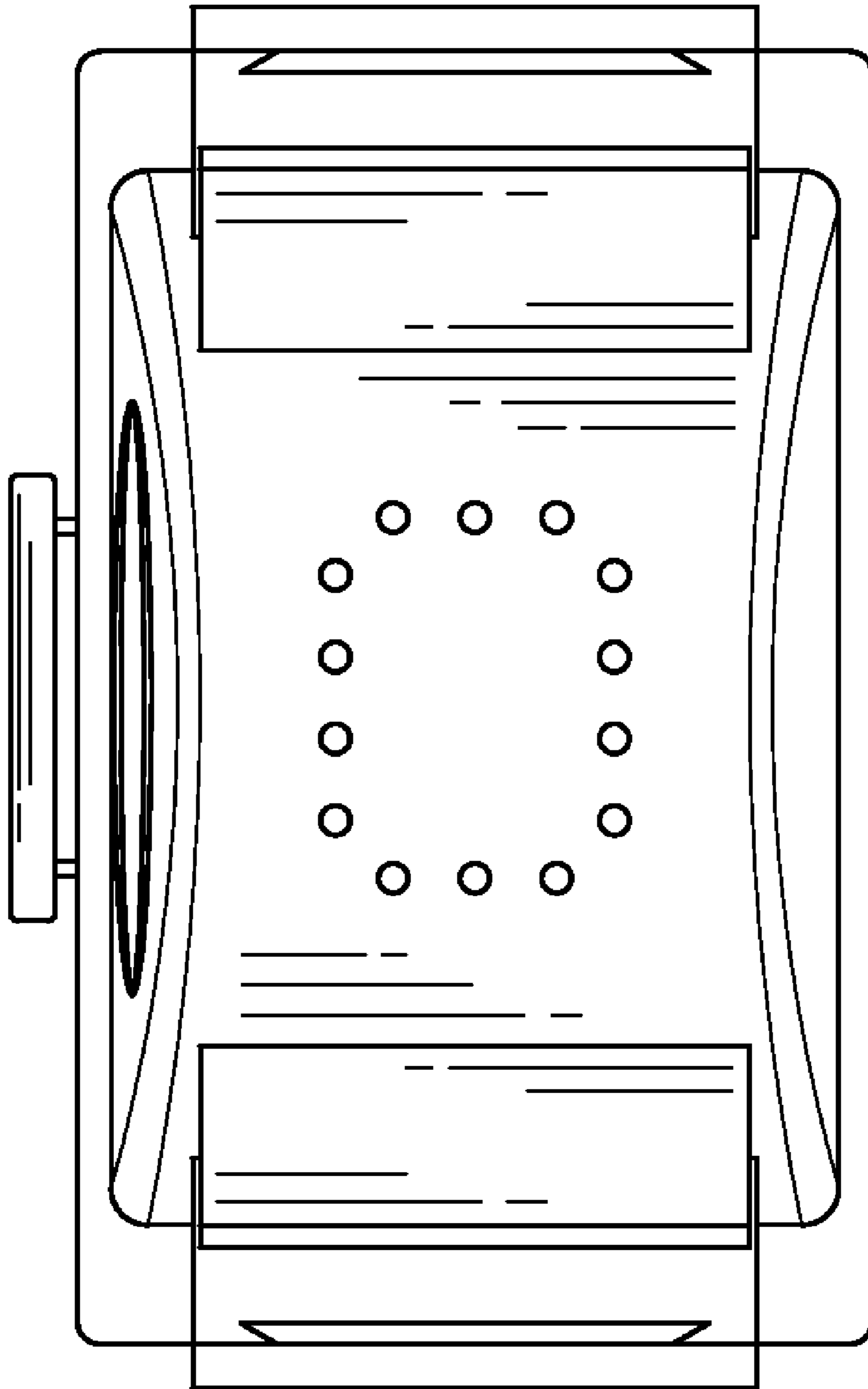


Fig. 7

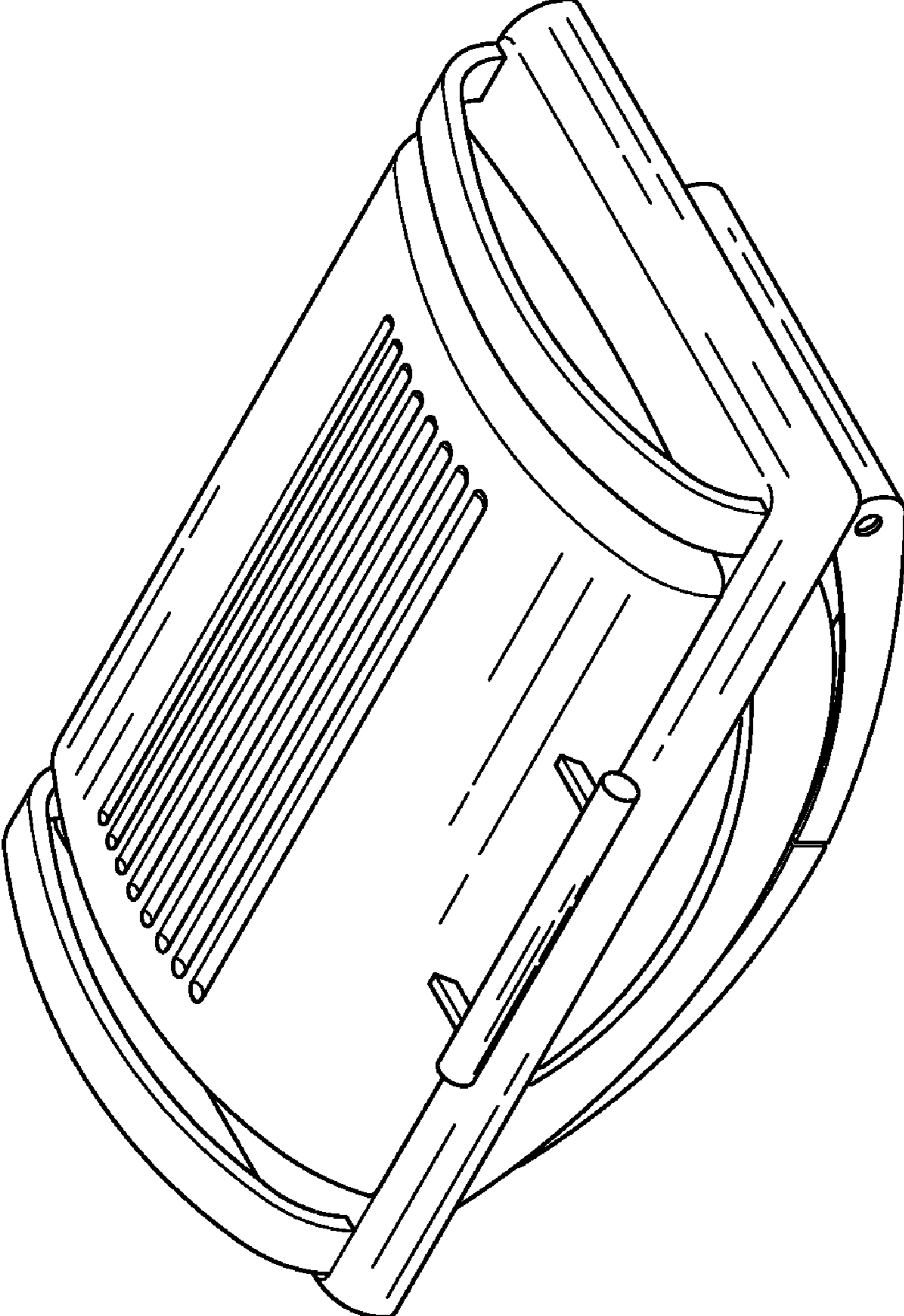


Fig. 8