

US00D568670S

(12) **United States Design Patent** (10) **Patent No.:** **US D568,670 S**
Proffitt et al. (45) **Date of Patent:** **** May 13, 2008**

(54) **GAS GRILL**

(75) Inventors: **Mark T. Proffitt**, Greeneville, TN (US);
James C. Fife, Greeneville, TN (US);
Devin Lee Moore, Decatur, GA (US);
Mark Joseph Money Penny, Eastwood,
KY (US); **Collin Sobczynski Farill**,
Decatur, GA (US)

(73) Assignee: **Meco Corporation**, Greeneville, TN
(US)

(**) Term: **14 Years**

(21) Appl. No.: **29/267,089**

(22) Filed: **Oct. 5, 2006**

(51) **LOC (8) Cl.** **07-02**

(52) **U.S. Cl.** **D7/334**

(58) **Field of Classification Search** D7/332,
D7/334-337, 402-404; 126/25 R, 25 A,
126/25 AA, 37 R, 38, 41 R, 40, 39 B, 268,
126/276, 9 R; 99/449, 473, 481, 482
See application file for complete search history.

(56) **References Cited**

U.S. PATENT DOCUMENTS

D406,489 S *	3/1999	Williams et al.	D7/334
D416,164 S *	11/1999	Wagner et al.	D7/334
D437,177 S *	2/2001	Giebel et al.	D7/334
D521,308 S *	5/2006	Tseng	D7/334
D525,072 S *	7/2006	Wilgus et al.	D7/334
D549,511 S *	8/2007	Chung	D7/334
D550,501 S *	9/2007	Chung	D7/334

* cited by examiner

Primary Examiner—Ruth McInroy
(74) *Attorney, Agent, or Firm*—McGuireWoods LLP

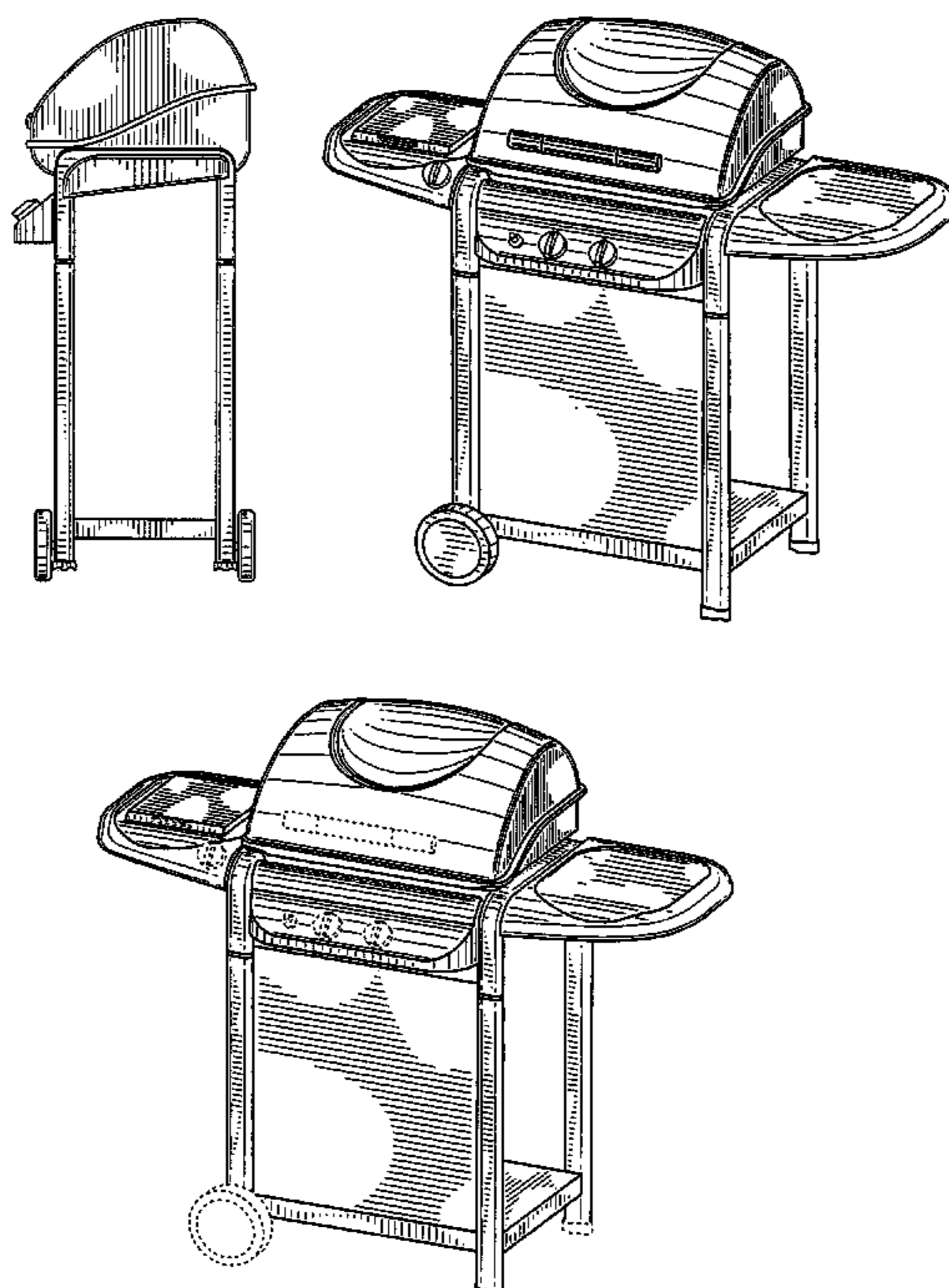
(57) **CLAIM**

I claim the ornamental design for a gas grill, as shown and described.

DESCRIPTION

FIG. 1 is a front side view of the gas grill;
FIG. 2 is a top view of the design embodiment shown in FIG. 1;
FIG. 3 is a right side view of the design embodiment shown in FIG. 1;
FIG. 4 is a left side view of the design embodiment shown in FIG. 1;
FIG. 5 is a right front side perspective view of the design embodiment shown in FIG. 1;
FIG. 6 is a front side view of the gas grill;
FIG. 7 is a top view of the design embodiment shown in FIG. 6;
FIG. 8 is a right side view of the design embodiment shown in FIG. 6;
FIG. 9 is a left side view of the design embodiment shown in FIG. 6; and,
FIG. 10 is a right front side perspective view of the design embodiment shown in FIG. 6.
The details shown in broken lines in FIGS. 6-10 form no part of the claimed design. In addition, any surfaces of the design not shown, including interior surfaces, form no part of the claimed invention.

1 Claim, 6 Drawing Sheets



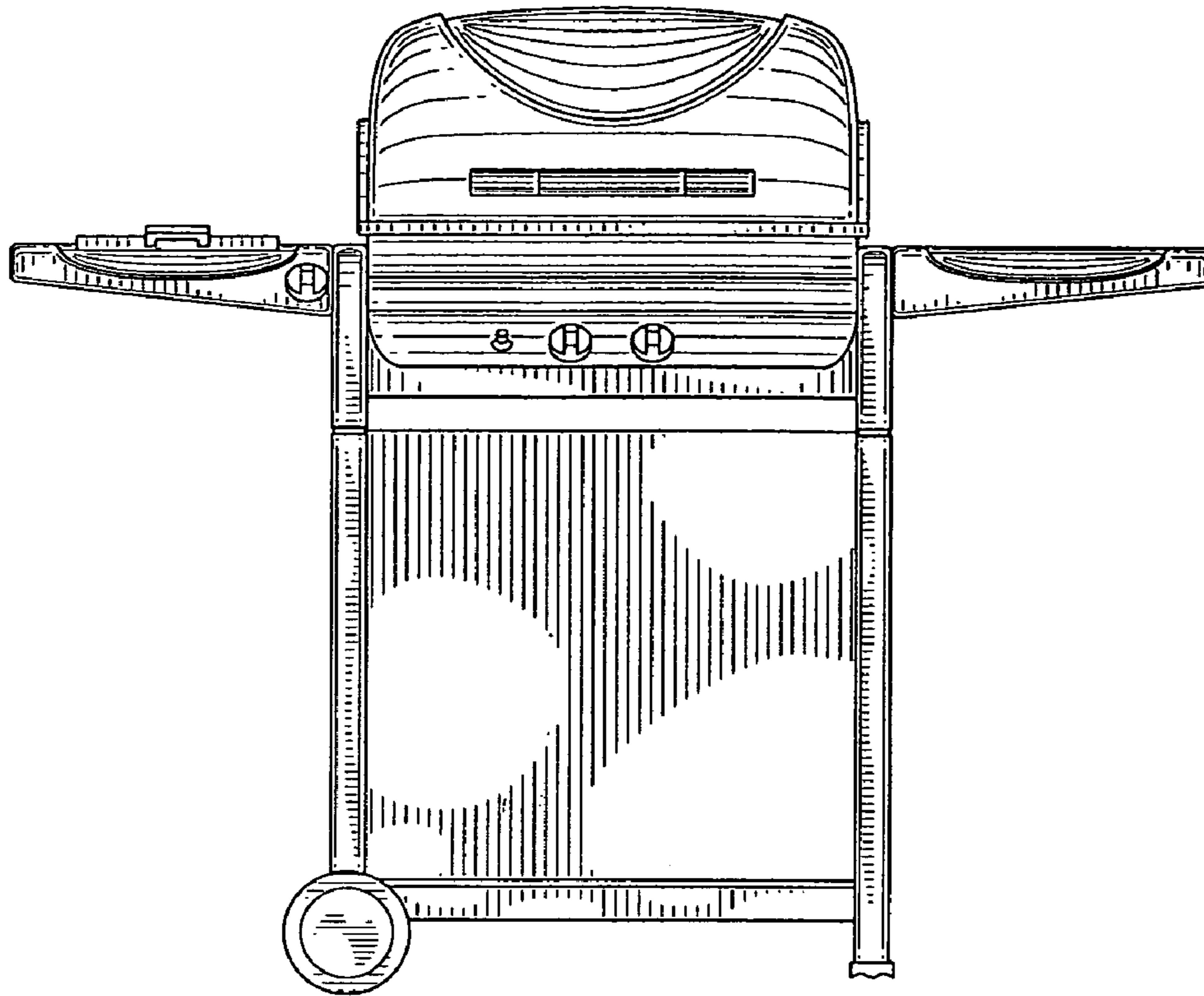


FIG. 1

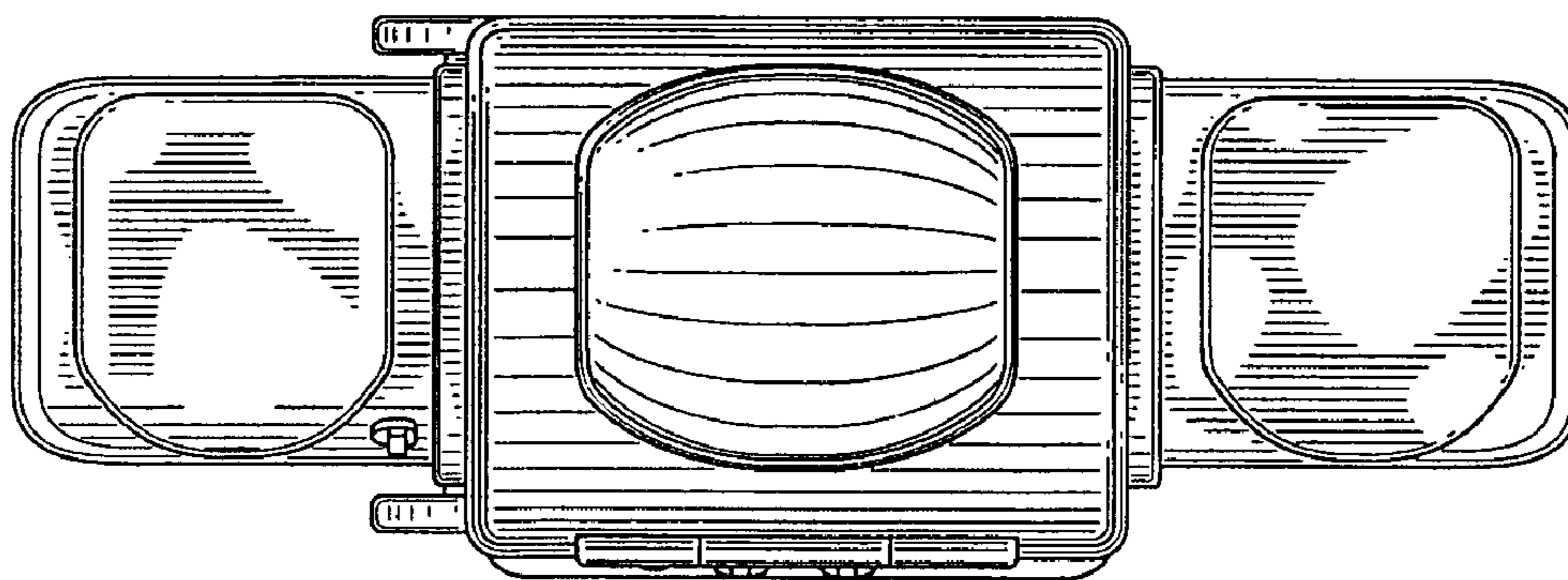


FIG. 2

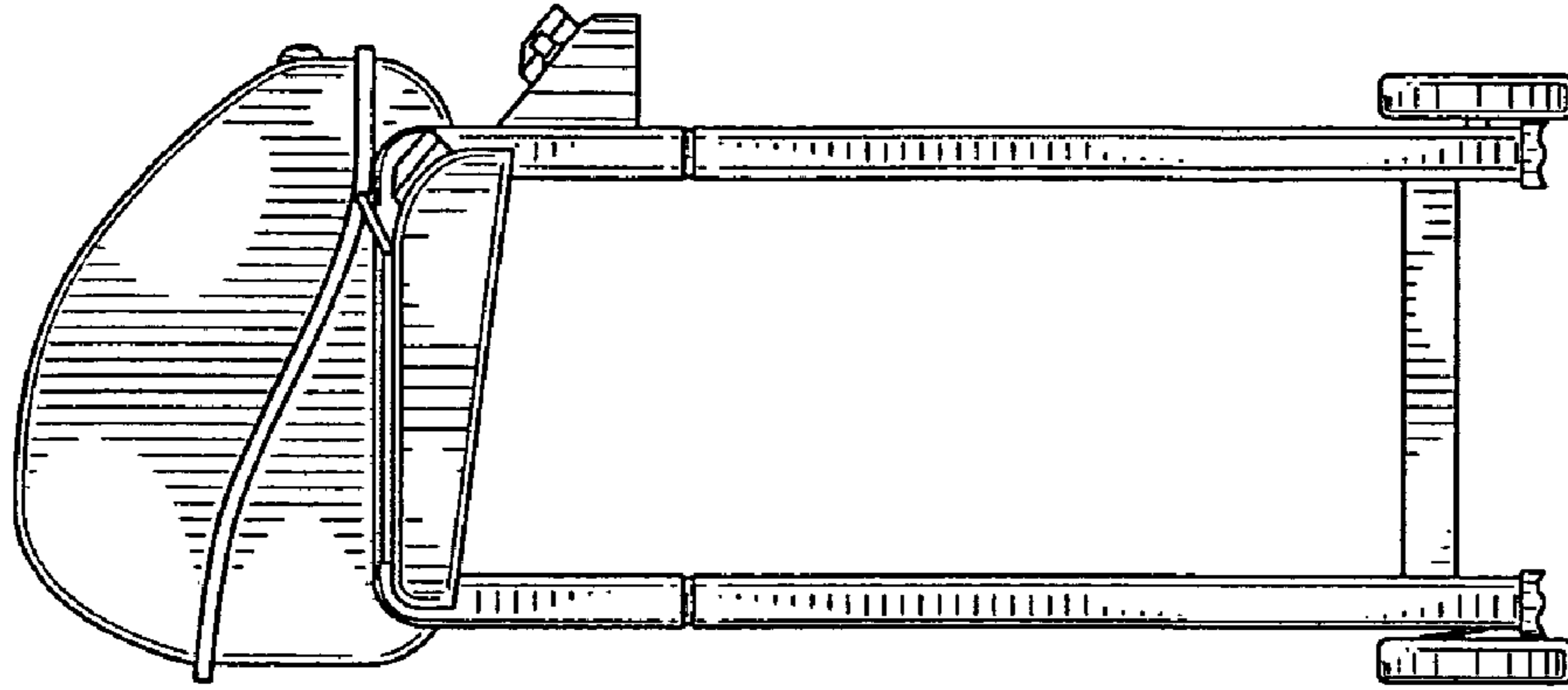


FIG. 4

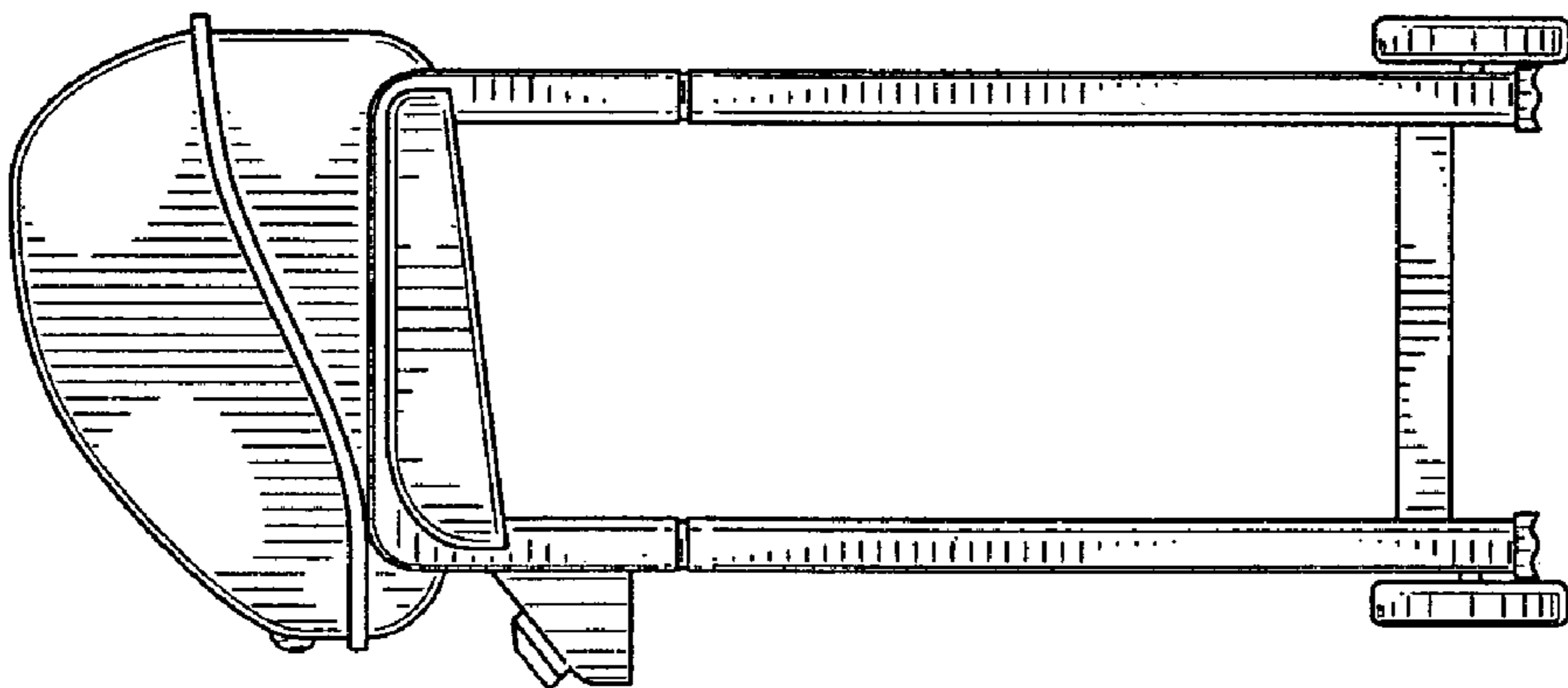


FIG. 3

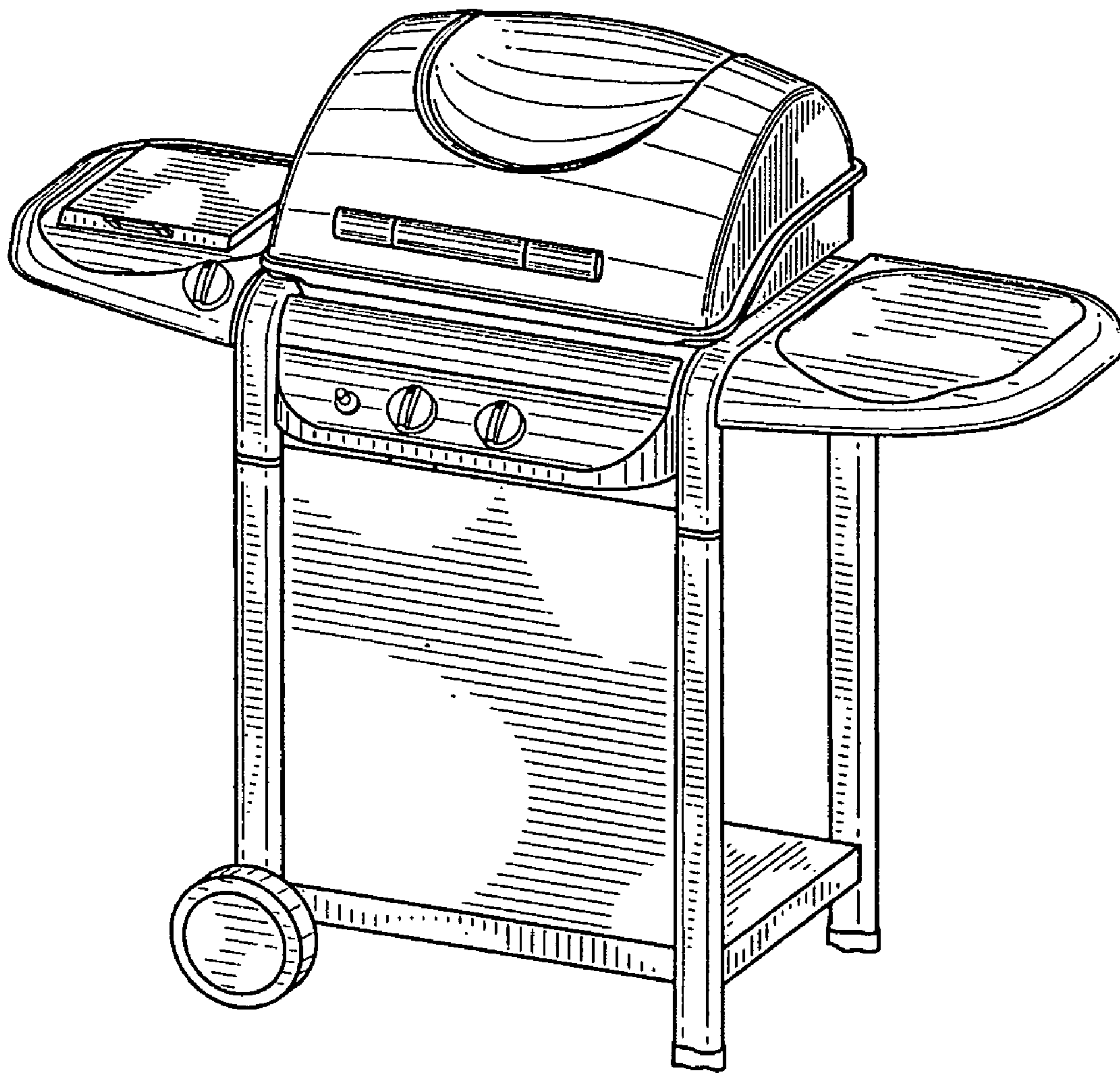


FIG. 5

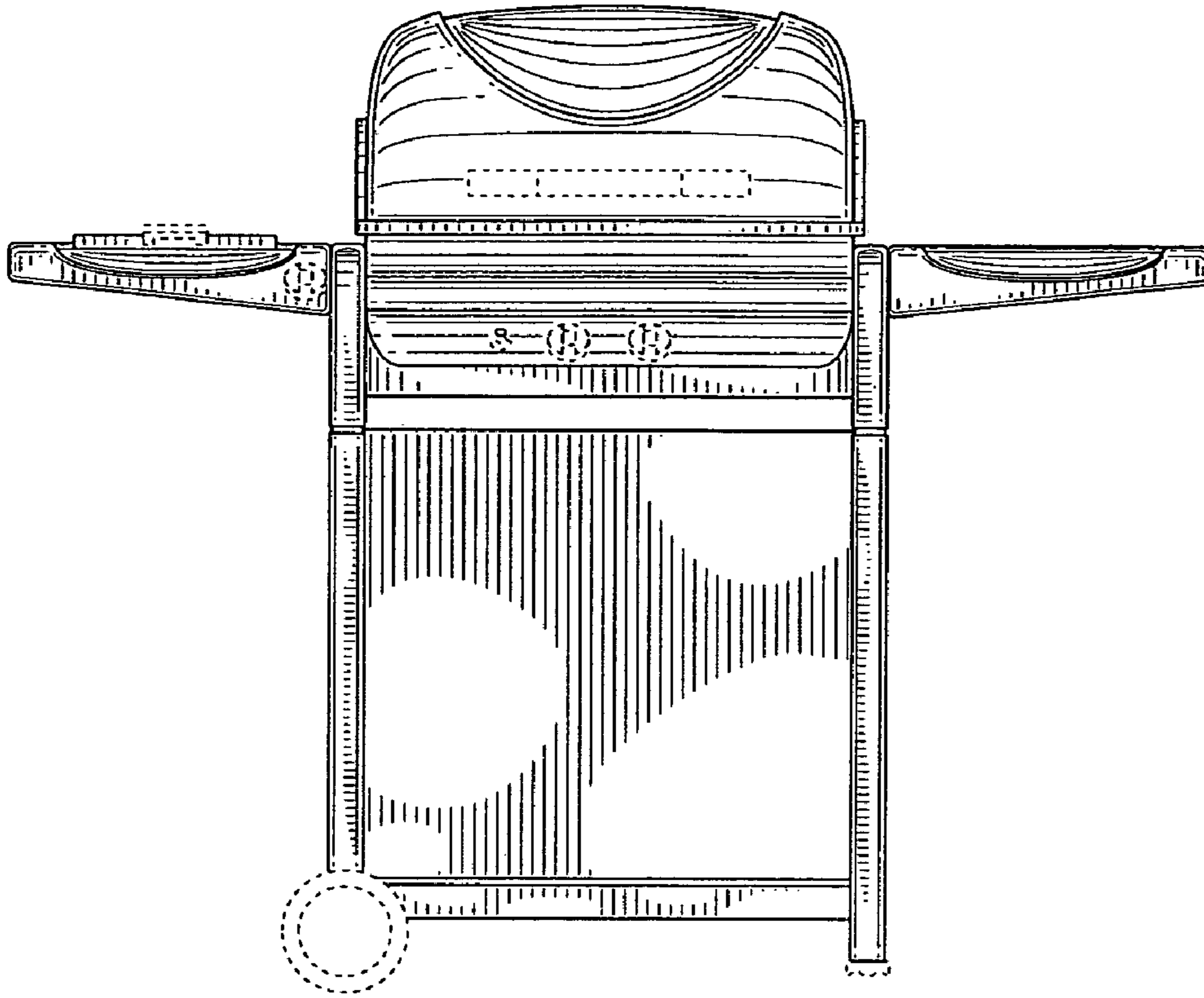


FIG. 6

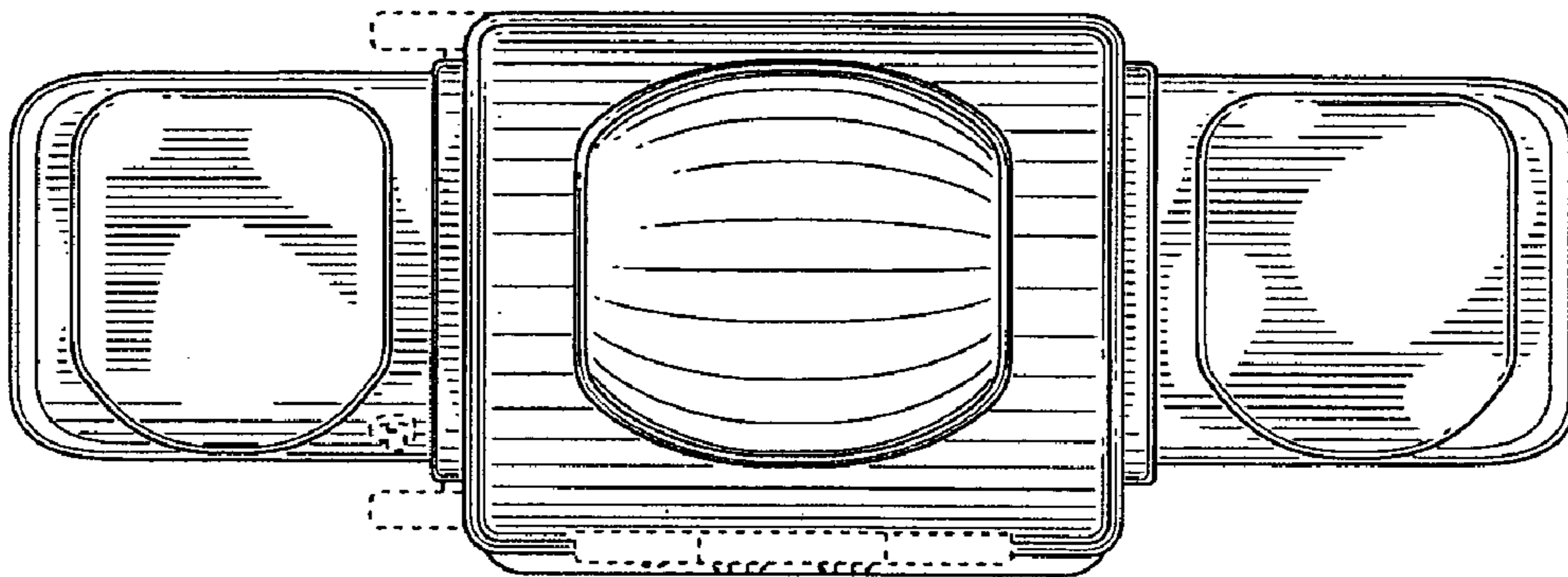


FIG. 7

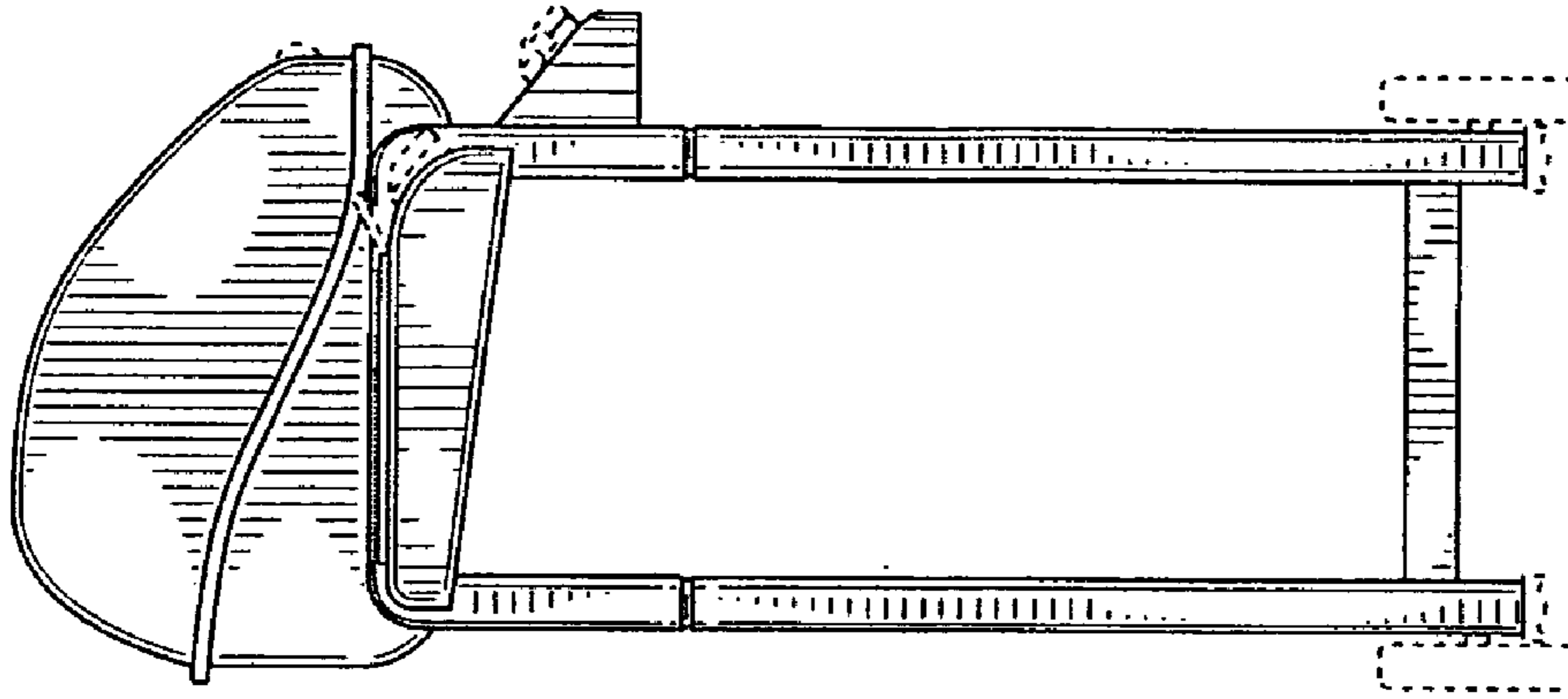


FIG. 9

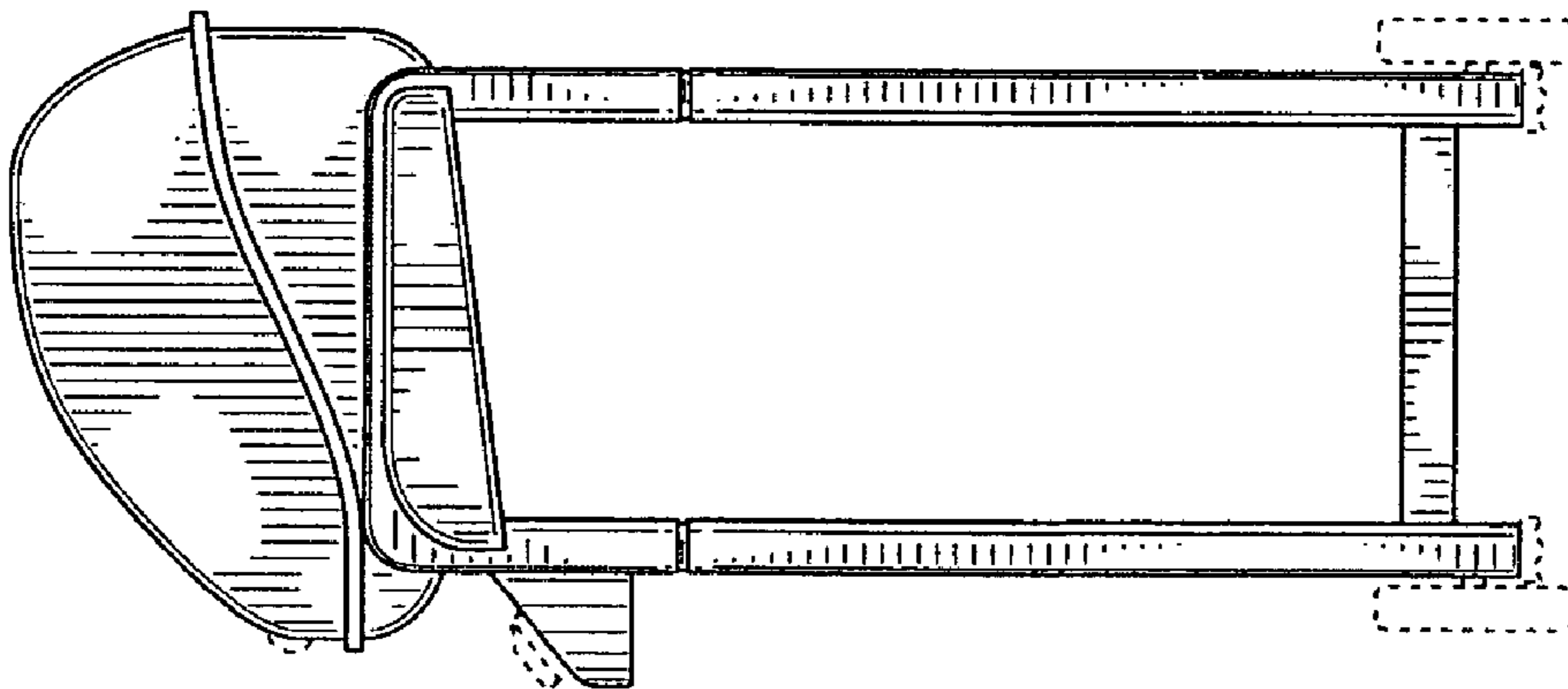


FIG. 8

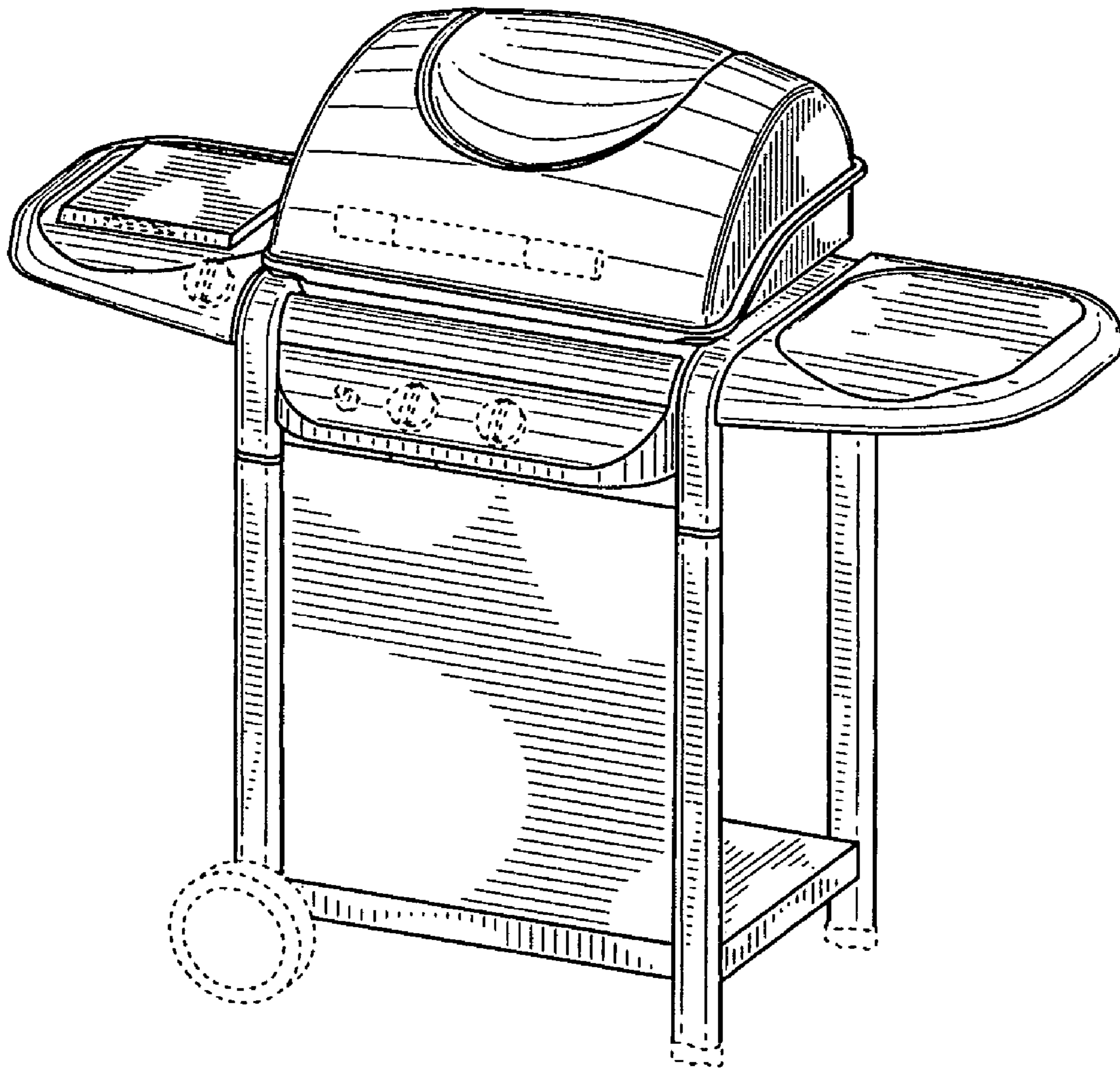


FIG. 10