



US00D568669S

(12) **United States Design Patent**
Kizilbayir

(10) **Patent No.:** **US D568,669 S**

(45) **Date of Patent:** **** May 13, 2008**

(54) **ELECTRICAL TOASTER**

(75) Inventor: **Atil Kizilbayir**, Istanbul (TR)

(73) Assignee: **Guney Ithalat Ve Pazarlama A.S.**,
Istanbul (TR)

(**) Term: **14 Years**

(21) Appl. No.: **29/283,299**

(22) Filed: **Aug. 9, 2007**

(51) **LOC (8) Cl.** **07-02**

(52) **U.S. Cl.** **D7/328**

(58) **Field of Classification Search** D7/323,
D7/328-333, 385, 390, 340, 341, 346, 350.4,
D7/351-365, 367, 402, 405-411; D13/158,
D13/162, 162.1, 163; D21/525; 99/331,
99/332, 357, 375, 385; 219/214, 388, 405,
219/443.1, 450.1, 492

See application file for complete search history.

(56) **References Cited**

U.S. PATENT DOCUMENTS

2,131,278	A *	9/1938	Gough	99/385
D111,765	S *	10/1938	Hadley	D7/328
D401,472	S *	11/1998	Gould	D7/330
D413,040	S *	8/1999	Lawrence et al.	D7/350.4
D425,359	S *	5/2000	Seiz	D7/351
6,080,963	A *	6/2000	Cardillo et al.	219/388
D475,234	S *	6/2003	Takase et al.	D7/328

FOREIGN PATENT DOCUMENTS

GB 2063382 * 2/1997

* cited by examiner

Primary Examiner—Caron D. Veynar

Assistant Examiner—Ricky Pham

(74) *Attorney, Agent, or Firm*—Venable, Campillo, Logan & Meaney PC

(57) **CLAIM**

The ornamental design for an electric toaster, as shown and described.

DESCRIPTION

FIG. 1 is a front right side perspective view of an electrical toaster showing my new design;

FIG. 2 is a front left side perspective view thereof;

FIG. 3 is a top plan view thereof;

FIG. 4 is a bottom plan view thereof, without the bread holder;

FIG. 5 is a front left side perspective view thereof; shown with the bread holder partially removed;

FIG. 6 is a perspective view of the bread holder; shown separately for ease of illustration;

FIG. 7 is a top plan view of FIG. 6;

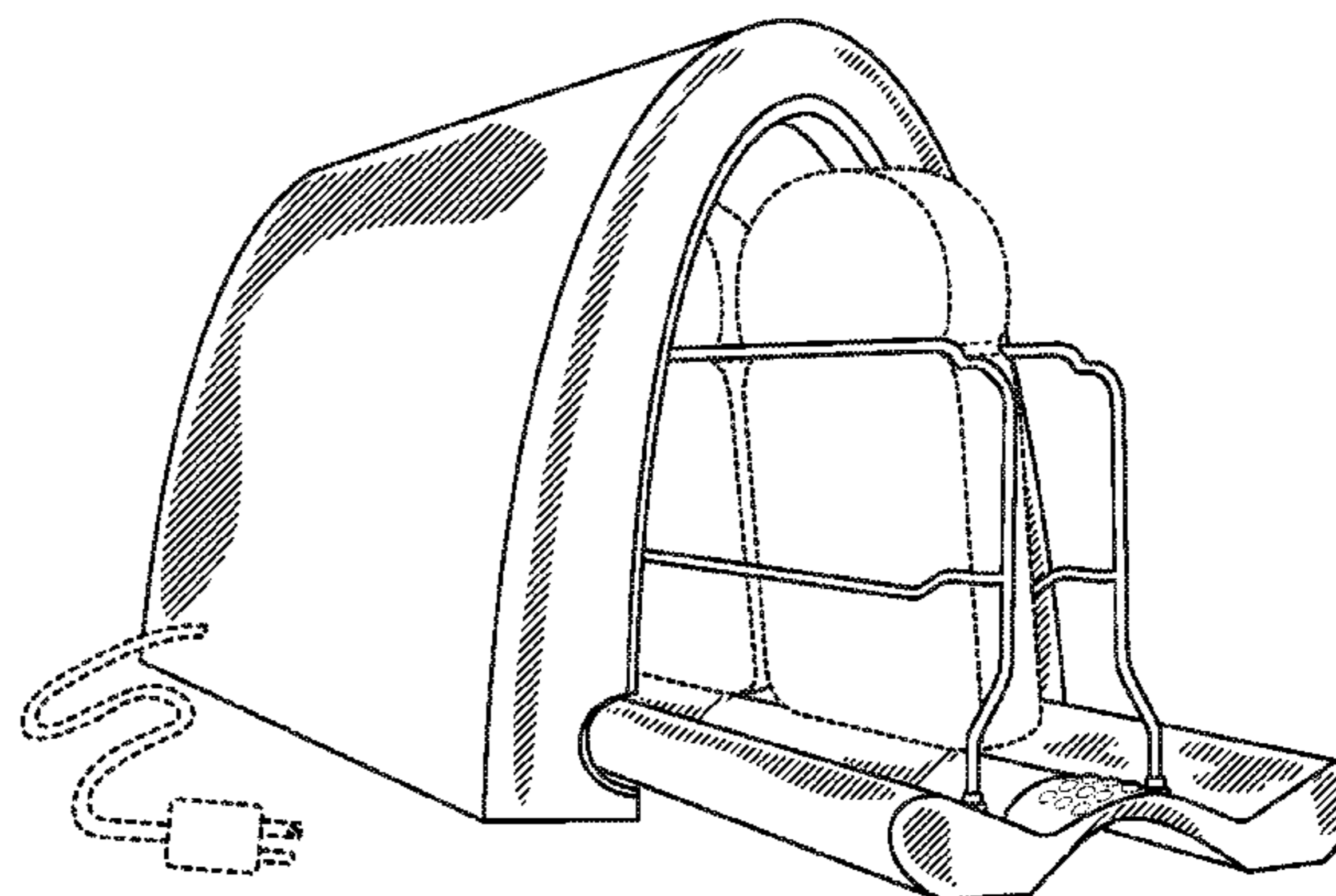
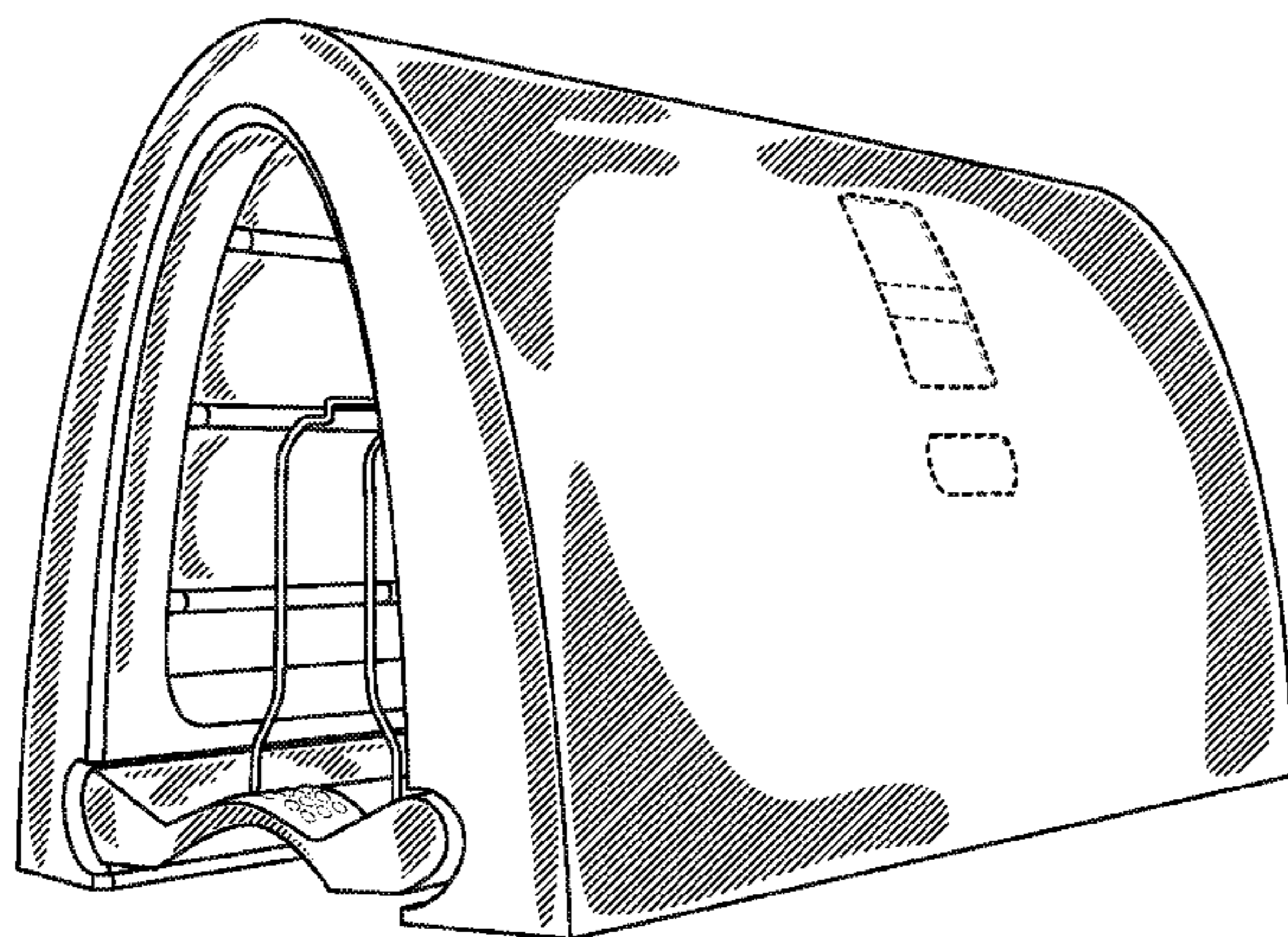
FIG. 8 is a bottom plan view of FIG. 6;

FIG. 9 is a front left side perspective view of FIG. 2, shown without the bread holder for ease of illustration; and,

FIG. 10 is a front right side perspective view thereof; shown without the bread holder for ease of illustration.

The broken lines shown in the drawings are for illustrative purposes only and form no part of the claimed design.

1 Claim, 8 Drawing Sheets



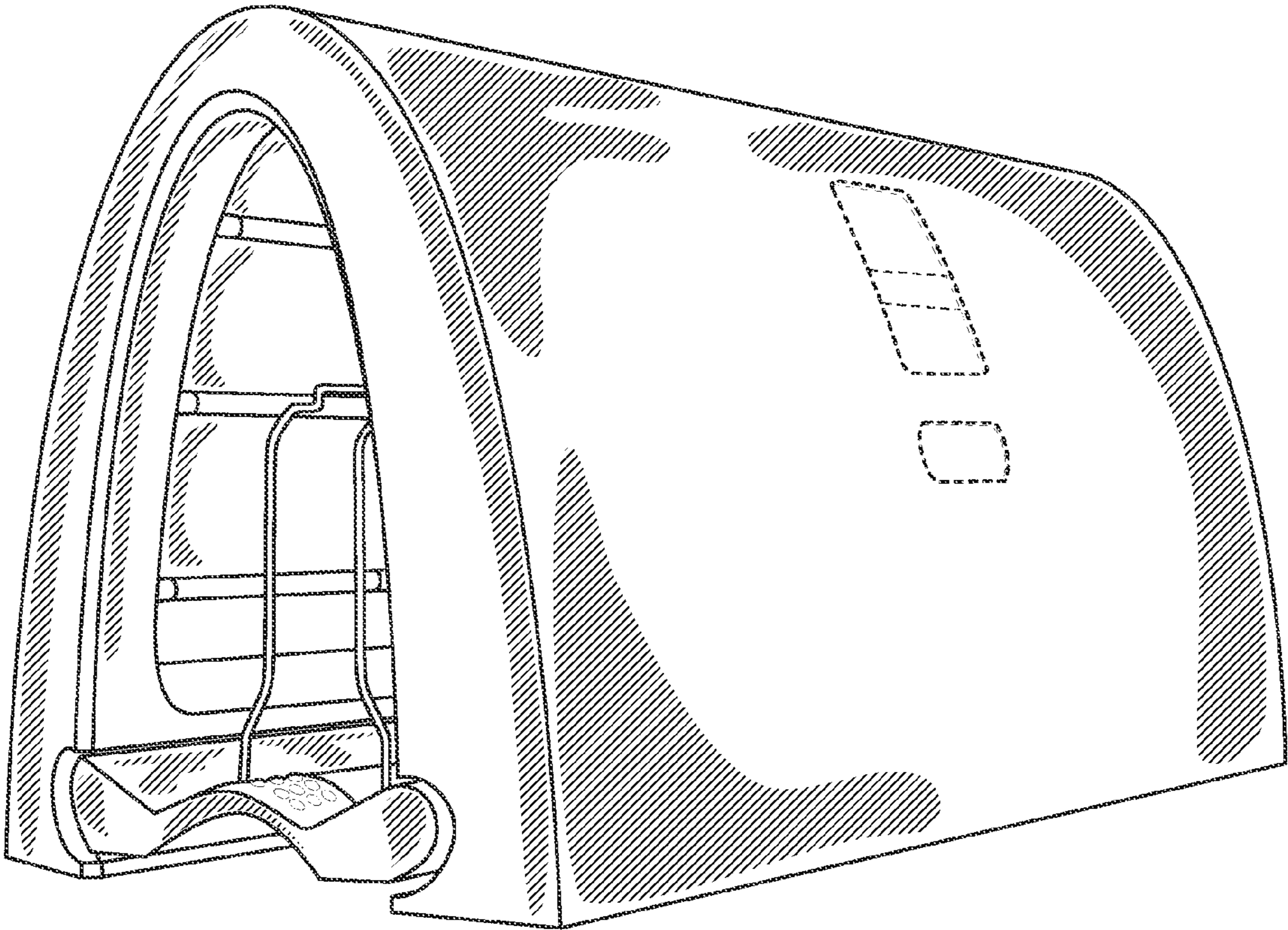


Fig. 1

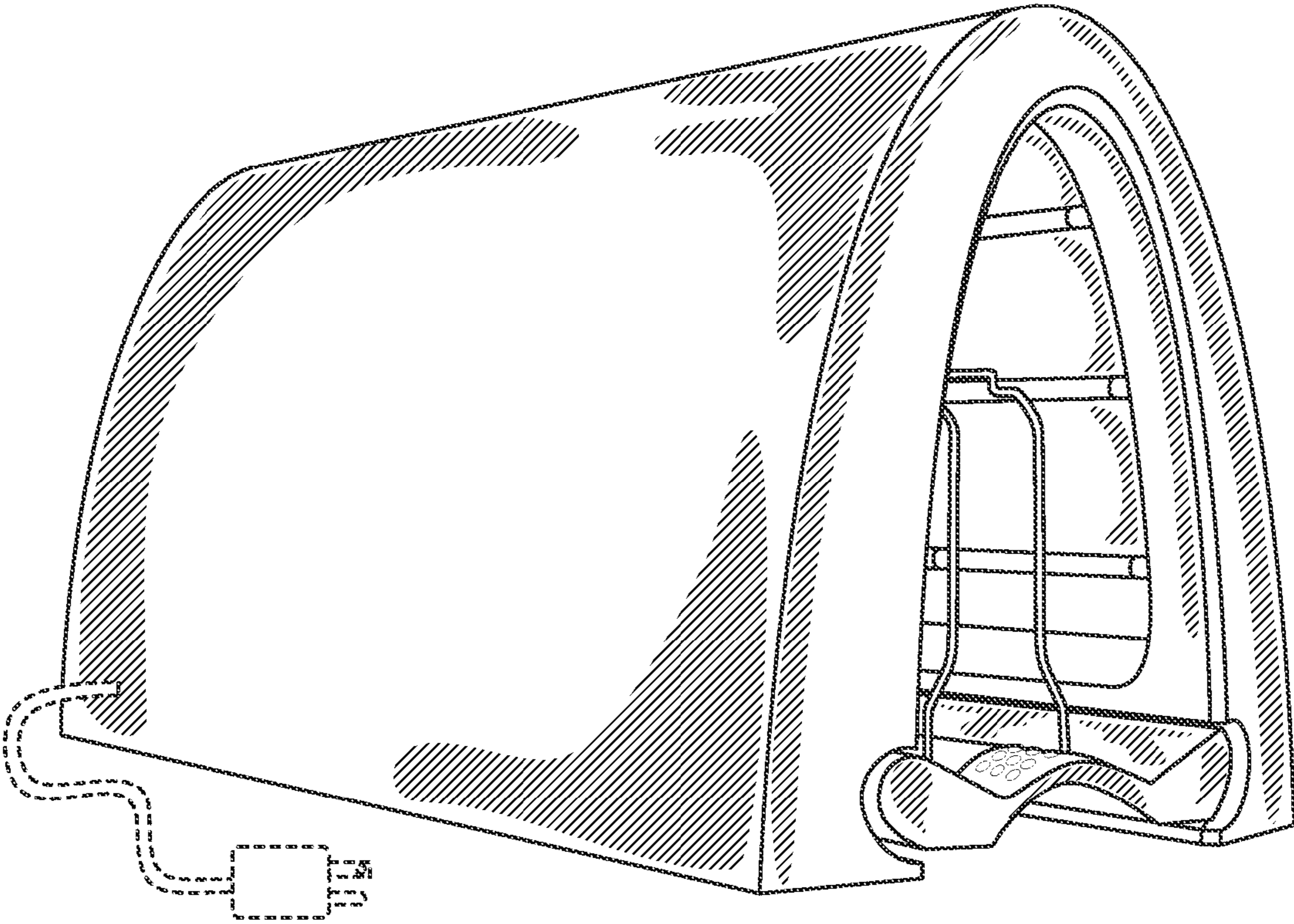


Fig. 2

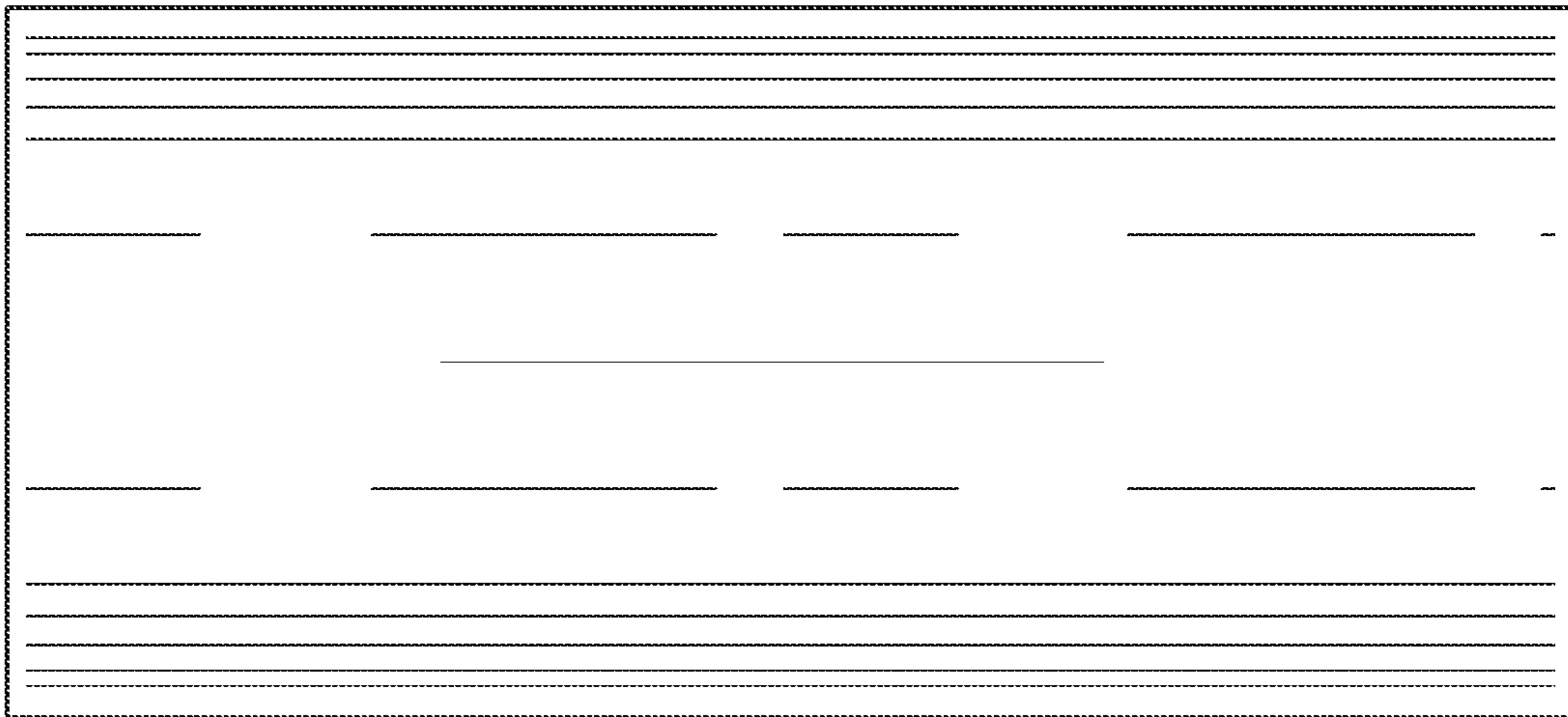


Fig. 3

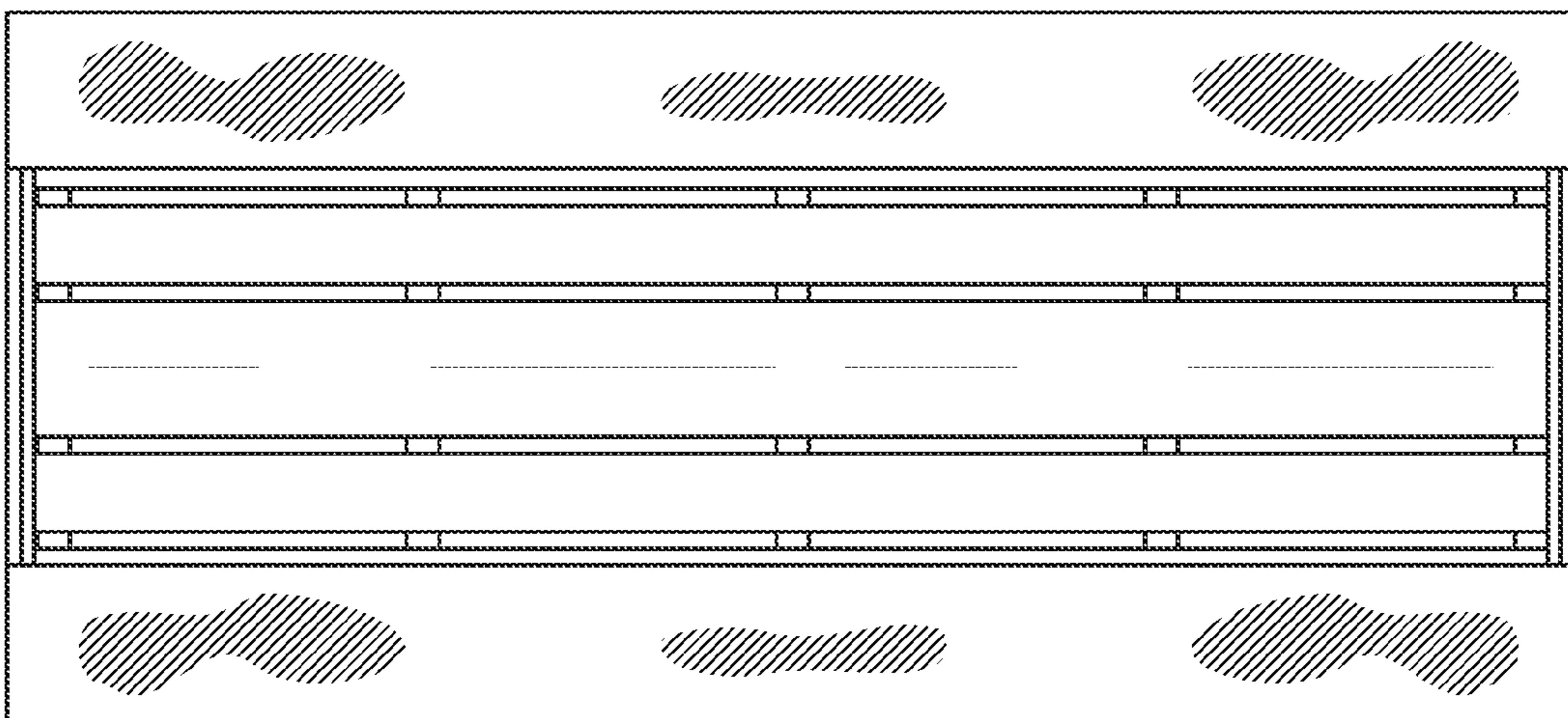


Fig. 4

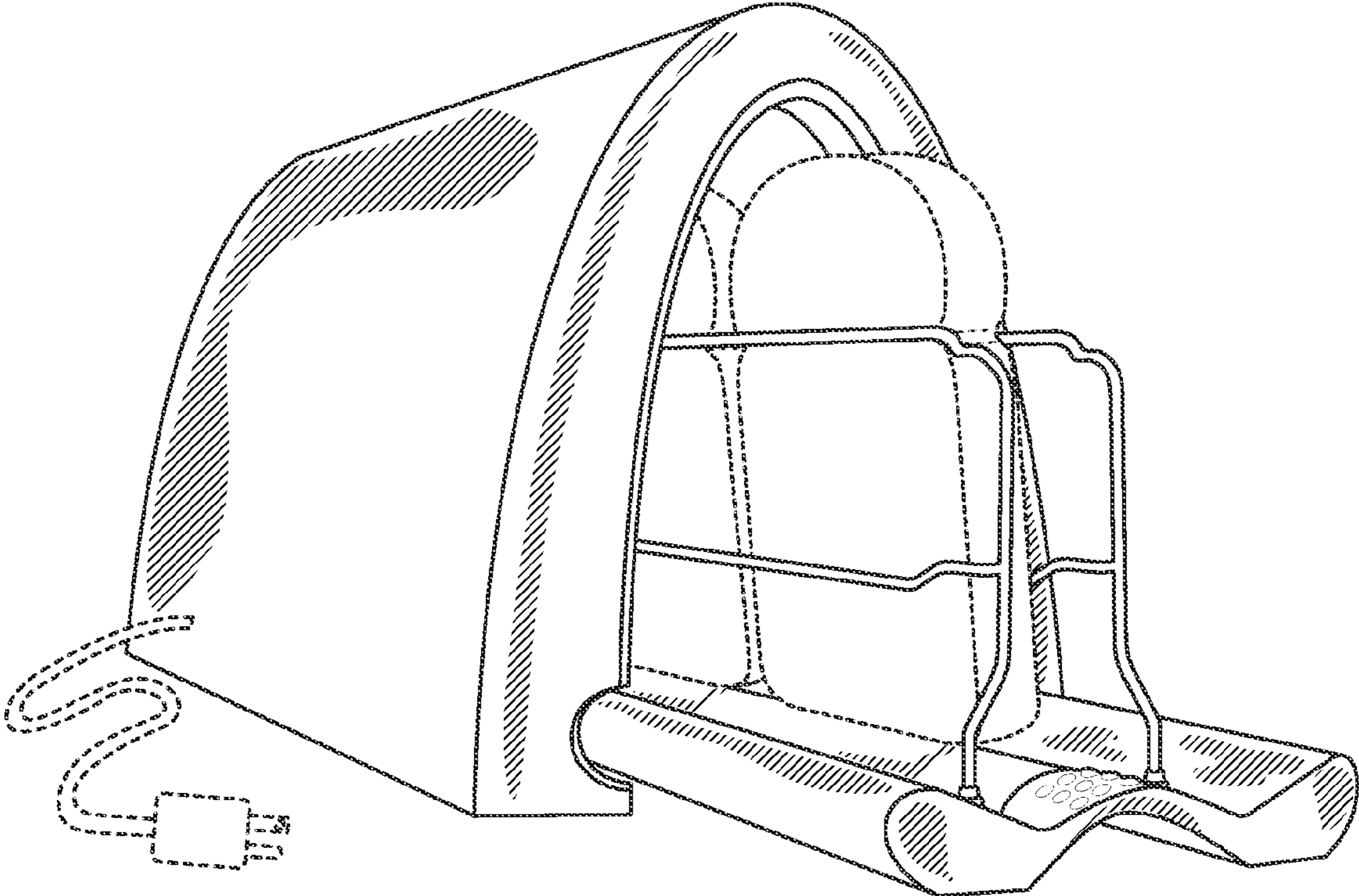


Fig. 5

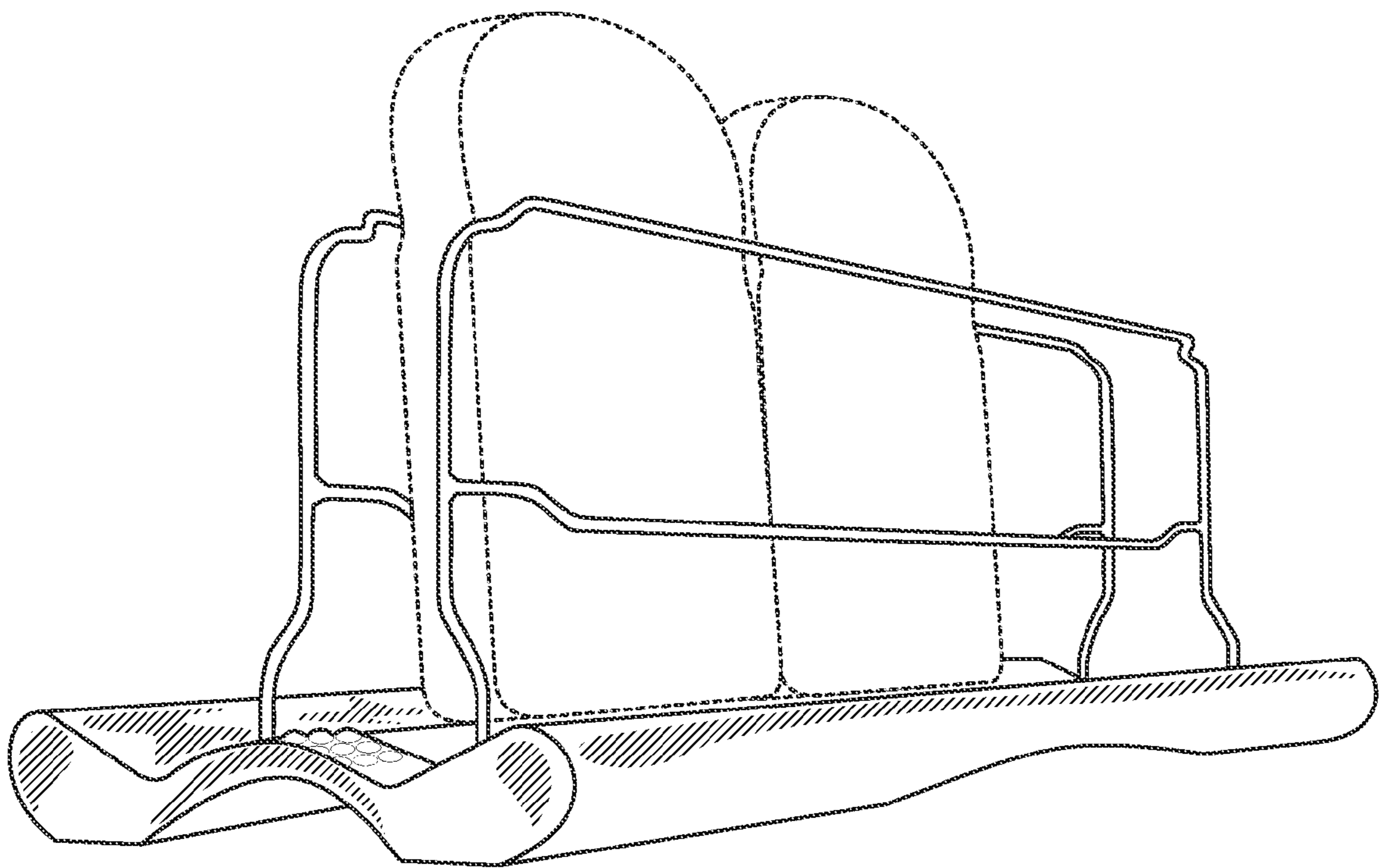


Fig. 6

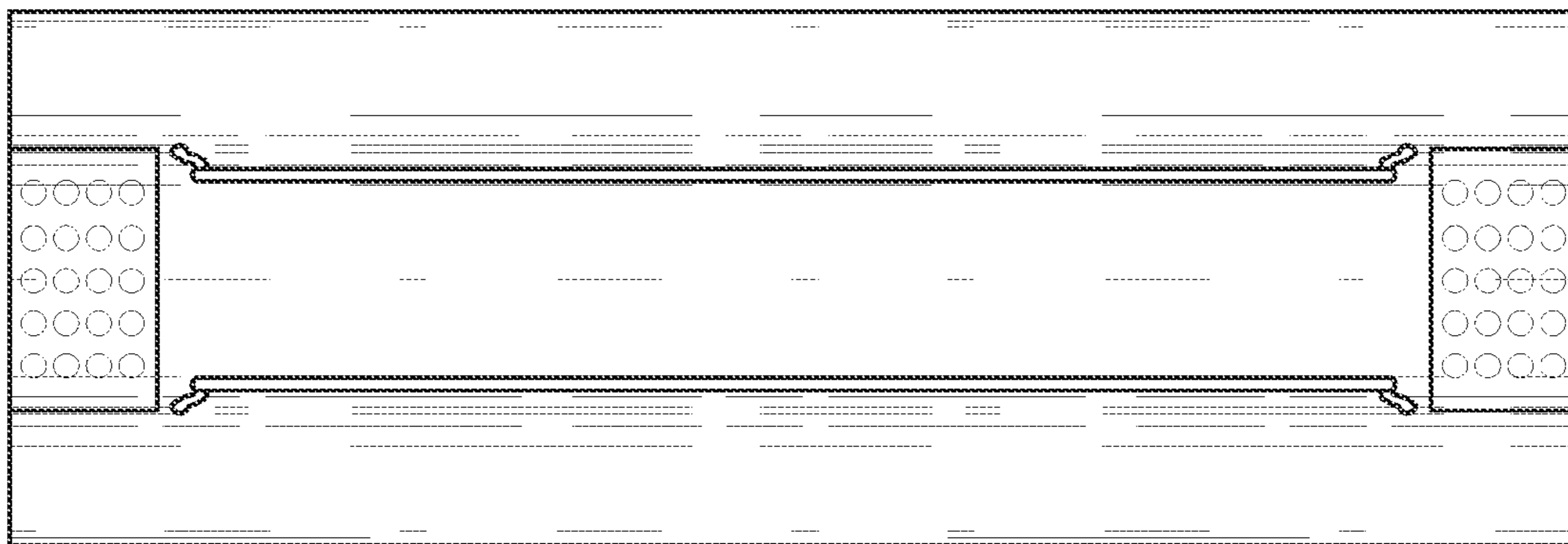


Fig. 7

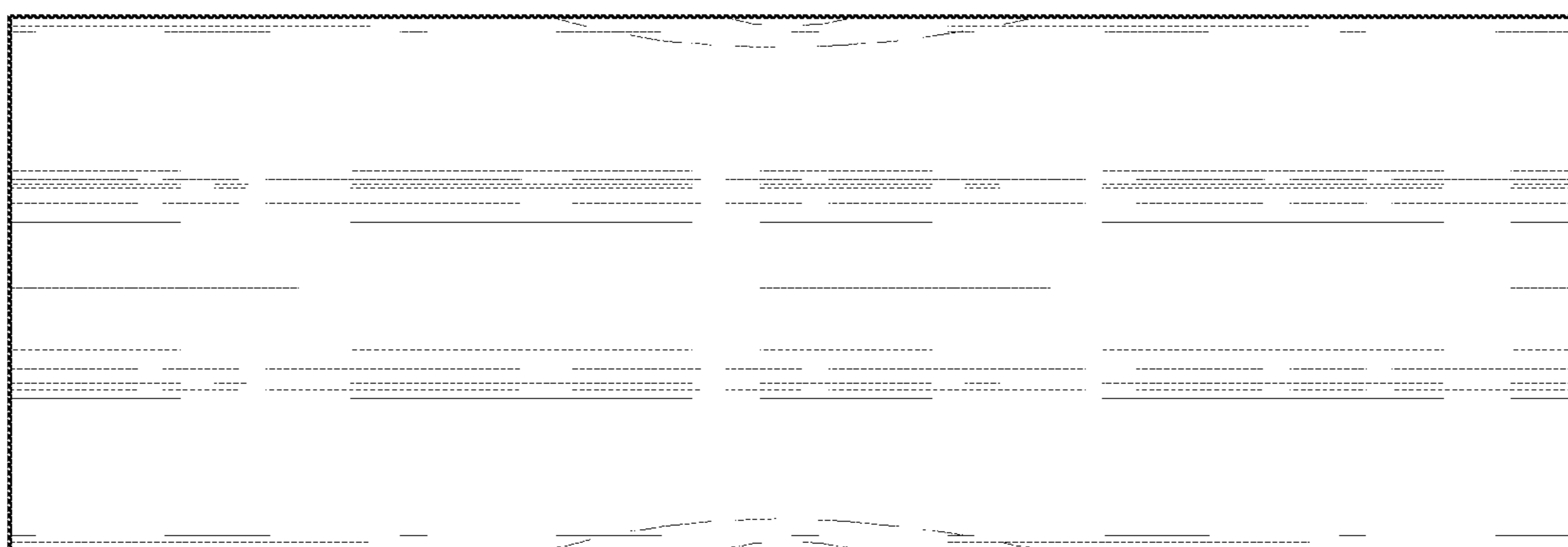


Fig. 8

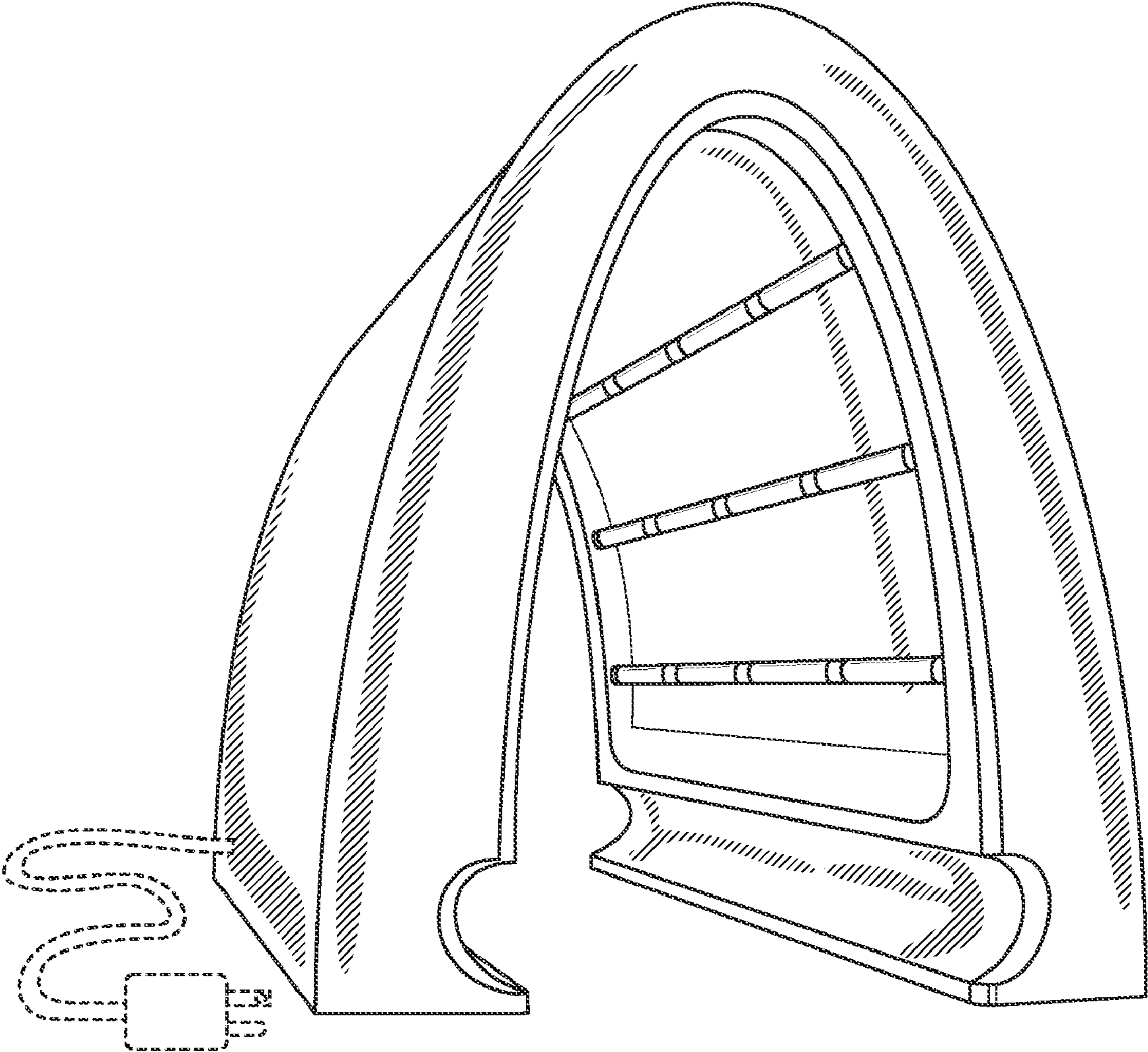


Fig. 9

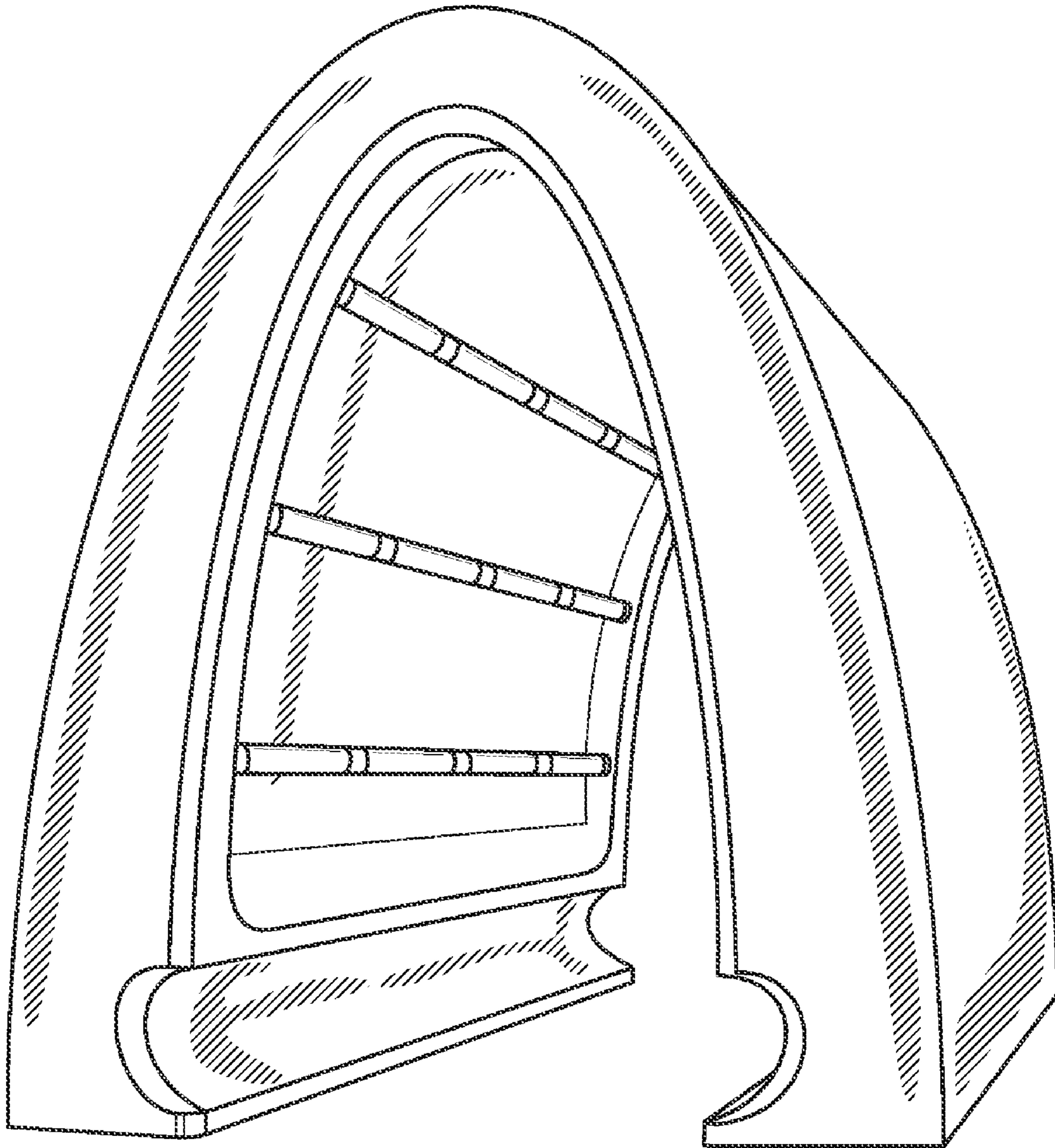


Fig. 10