

US00D568668S

(12) **United States Design Patent**  
**Smaldone**

(10) **Patent No.:** **US D568,668 S**

(45) **Date of Patent:** **\*\* May 13, 2008**

(54) **DOMED ERGONOMIC TEA KETTLE WITH CONTOURED GRIP**

(75) Inventor: **Alfonso Smaldone**, Brooklyn, NY (US)

(73) Assignee: **Alfay Designs, Inc.**, Brooklyn, NY (US)

(\*\*) Term: **14 Years**

(21) Appl. No.: **29/263,754**

(22) Filed: **Jul. 28, 2006**

(51) **LOC (8) Cl.** ..... **07-01**

(52) **U.S. Cl.** ..... **D7/322; D7/321**

(58) **Field of Classification Search** ..... D7/312,  
D7/320-322, 300; 99/317, 323; 222/471,  
222/472, 469

See application file for complete search history.

(56) **References Cited**

**U.S. PATENT DOCUMENTS**

D95,621 S	5/1935	Zettler	
D115,928 S	8/1939	Kircher	
D127,453 S	5/1941	Keller	
D282,436 S	2/1986	Thurlow	
D308,315 S	6/1990	Ancona et al.	
5,135,128 A	8/1992	Kuhn	
D336,006 S	6/1993	Lebowitz	
D342,640 S	12/1993	Lebowitz	
5,339,978 A	8/1994	Coppier	
D360,101 S	7/1995	Lee	
D364,991 S	12/1995	Lee	
5,490,616 A	2/1996	Stowell	
D380,337 S	7/1997	Lien	
D381,859 S	8/1997	Joergensen	
D390,744 S	2/1998	Otero	
D396,988 S *	8/1998	Lien	D7/322
D407,943 S *	4/1999	Chen	D7/322
D416,431 S	11/1999	Weiss et al.	
6,006,959 A	12/1999	Naden et al.	
D428,758 S *	8/2000	Santiago et al.	D7/322
D442,015 S	5/2001	Doret	
D448,963 S	10/2001	Shim	
D459,937 S	7/2002	Thurlow	

6,540,120 B2	4/2003	Lebowitz	
D478,243 S *	8/2003	Lebowitz	D7/322
D478,768 S	8/2003	Belton	
D483,600 S	12/2003	Thurlow et al.	
D490,641 S	6/2004	Lebowitz	
D501,752 S	2/2005	Smaldone	
D502,356 S	3/2005	Smaldone	

(Continued)

**FOREIGN PATENT DOCUMENTS**

DE	197 40 826 A1	3/1999
JP	3-195517	8/1992

**OTHER PUBLICATIONS**

Oxo International, "Random Red Uplift Tea Kettle" [http://www.oxo.com/catalog/product\\_Info.php?products\\_id=157](http://www.oxo.com/catalog/product_Info.php?products_id=157), 2 pages printed from the Internet Dec. 13, 2004.  
[http://cookware.com.zu/browse-TEAKETTLES/page\\_44.html](http://cookware.com.zu/browse-TEAKETTLES/page_44.html) 5 pages, printed from the Internet Nov. 1, 2005.  
Farberware Millinium, Whistling Tea Kettle advertisement, 2006, 1 page.

*Primary Examiner*—Marianne Pandozzi

*Assistant Examiner*—J. Scott

(74) *Attorney, Agent, or Firm*—Steven Horowitz

(57) **CLAIM**

The ornamental design for a domed ergonomic tea kettle with contoured grip, as shown and described.

**DESCRIPTION**

FIG. 1 is a front view of the domed ergonomic tea kettle with contoured grip, of the present invention showing my new design;

FIG. 2 is a rear view thereof;

FIG. 3 is a right side view thereof;

FIG. 4 is a left side view thereof;

FIG. 5 is a top view thereof;

FIG. 6 is a bottom view thereof; and,

FIG. 7 is a perspective view thereof.

**1 Claim, 4 Drawing Sheets**



# US D568,668 S

Page 2

---

## U.S. PATENT DOCUMENTS

D502,838 S	*	3/2005	Ancona	.....	D7/321	D528,345 S	*	9/2006	Smaldone	.....	D7/322
D504,273 S	*	4/2005	Ancona	.....	D7/322	D529,328 S	*	10/2006	Schmidt et al.	.....	D7/322
D511,648 S		11/2005	Henderson			D541,100 S	*	4/2007	Lebowitz	.....	D7/322
D525,071 S	*	7/2006	Lebowitz	.....	D7/321	D541,577 S	*	5/2007	Kim	.....	D7/340

\* cited by examiner

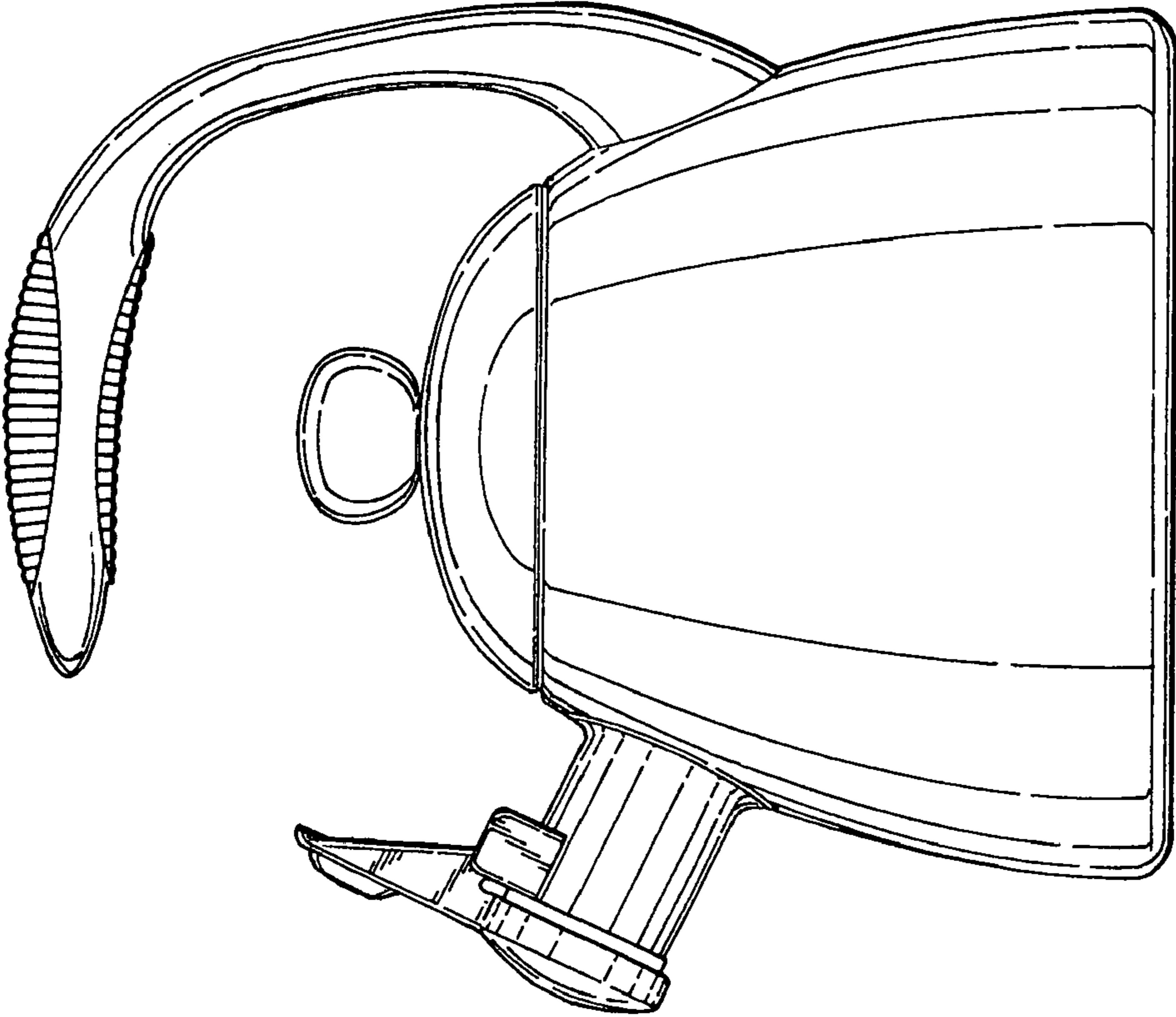


FIG. 1

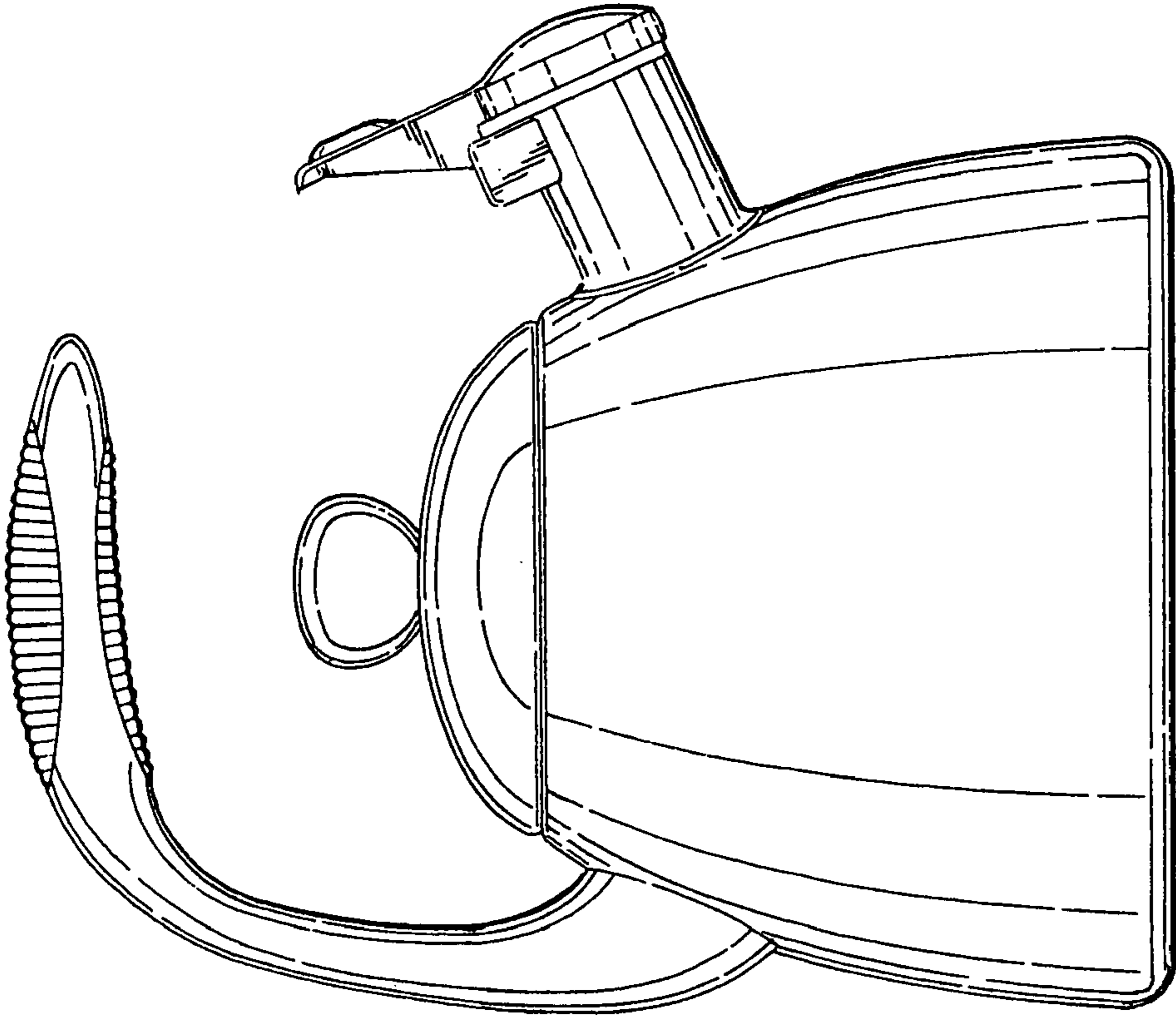


FIG. 2

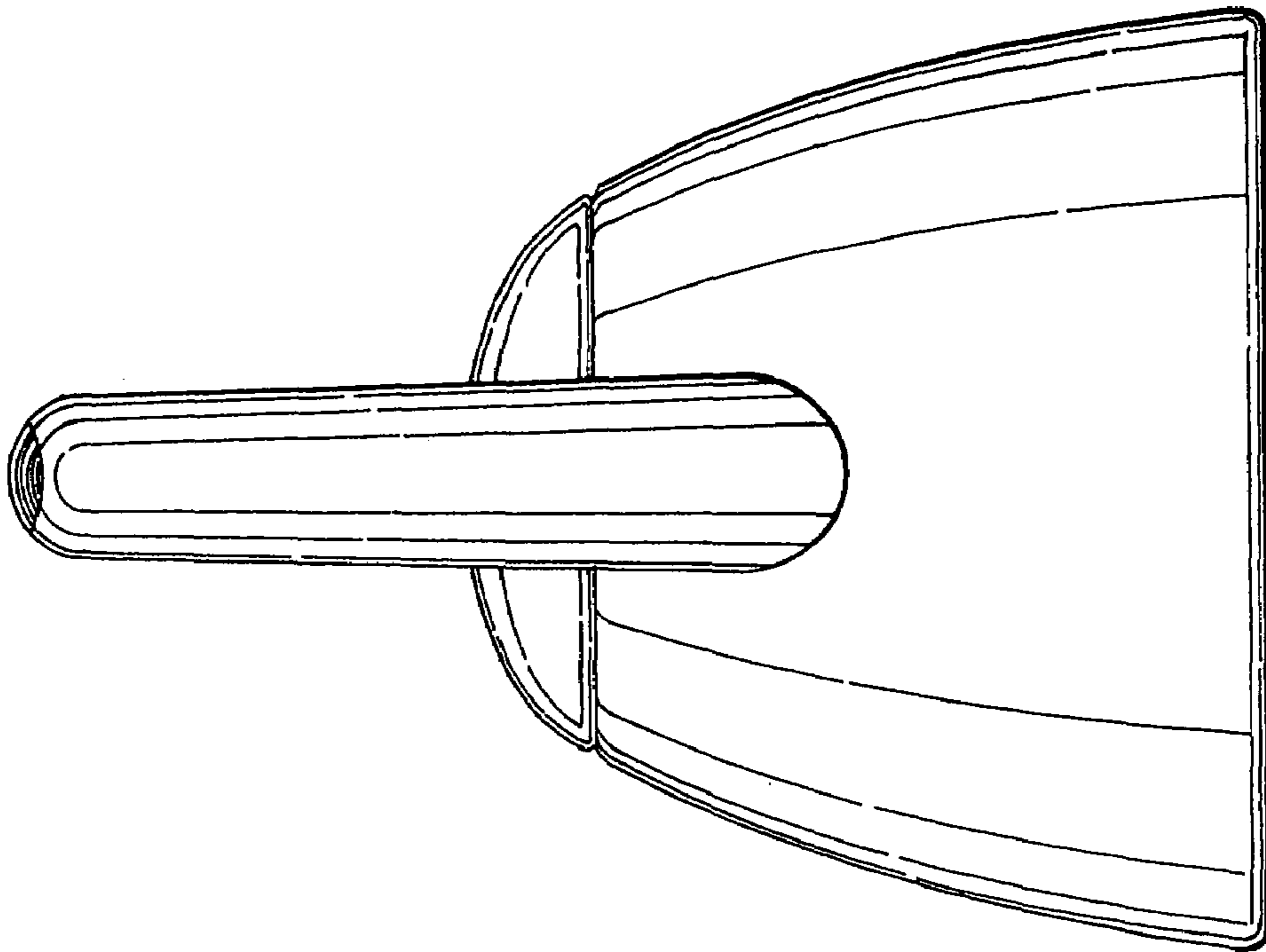


FIG. 4

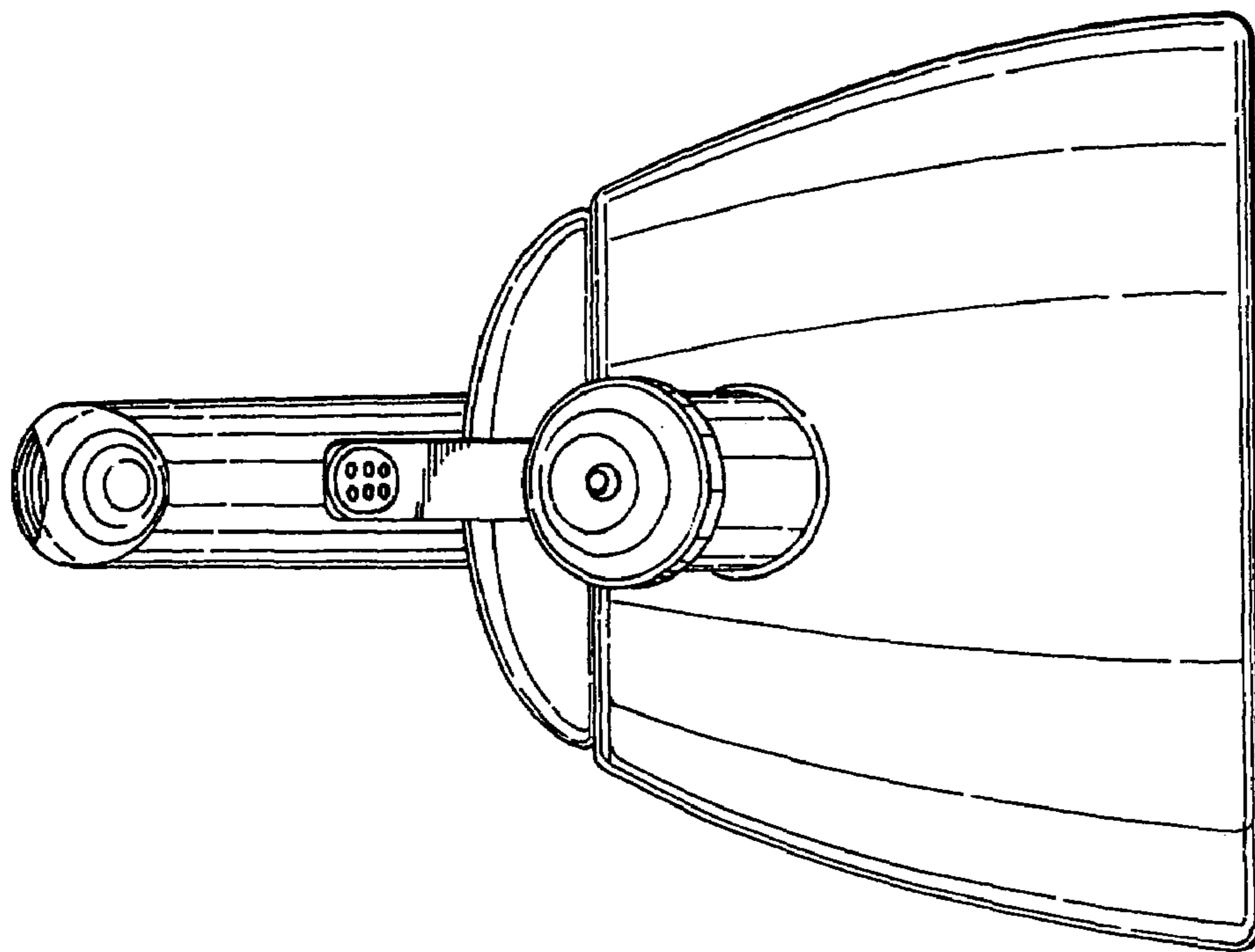


FIG. 3

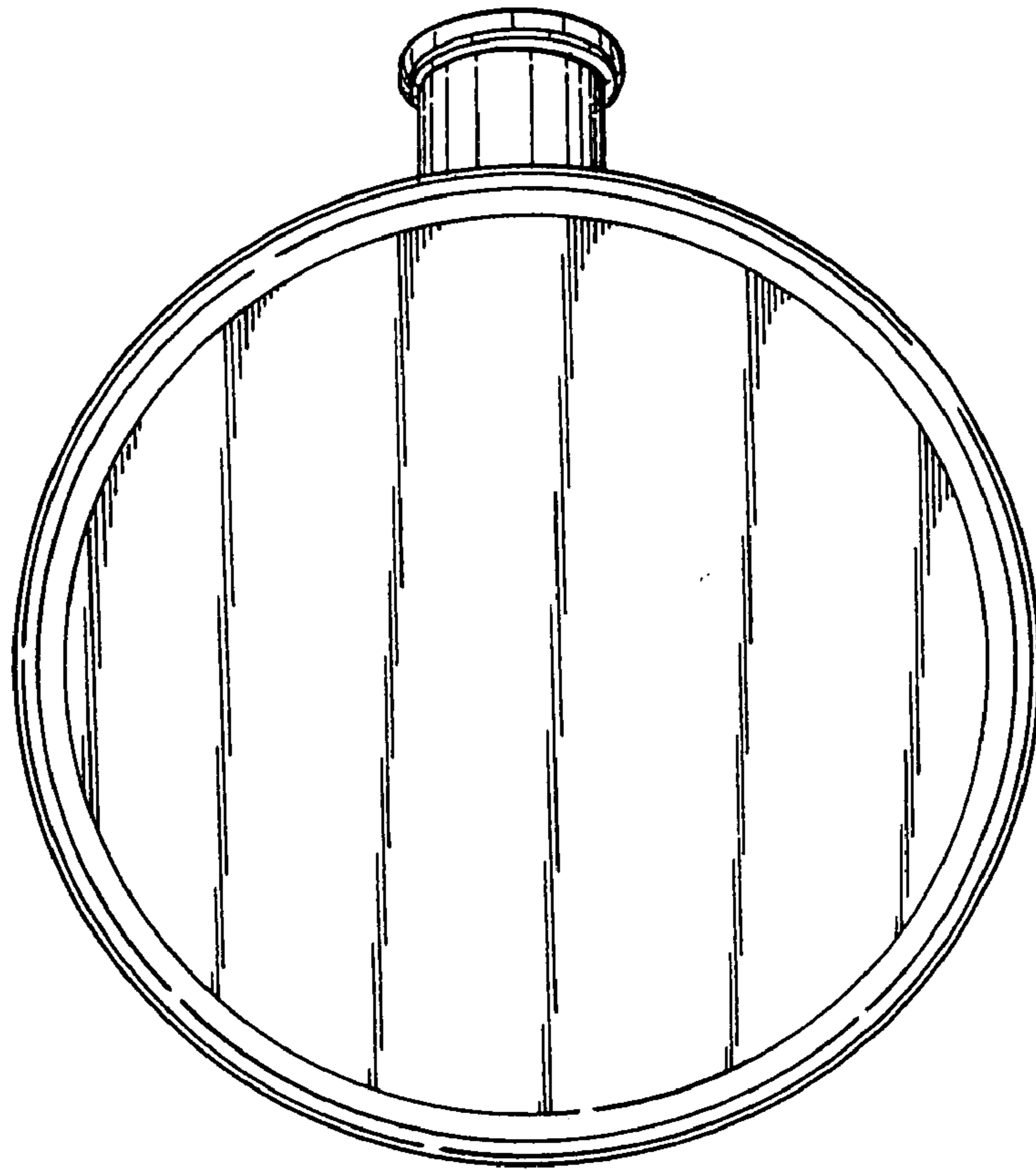


FIG. 6

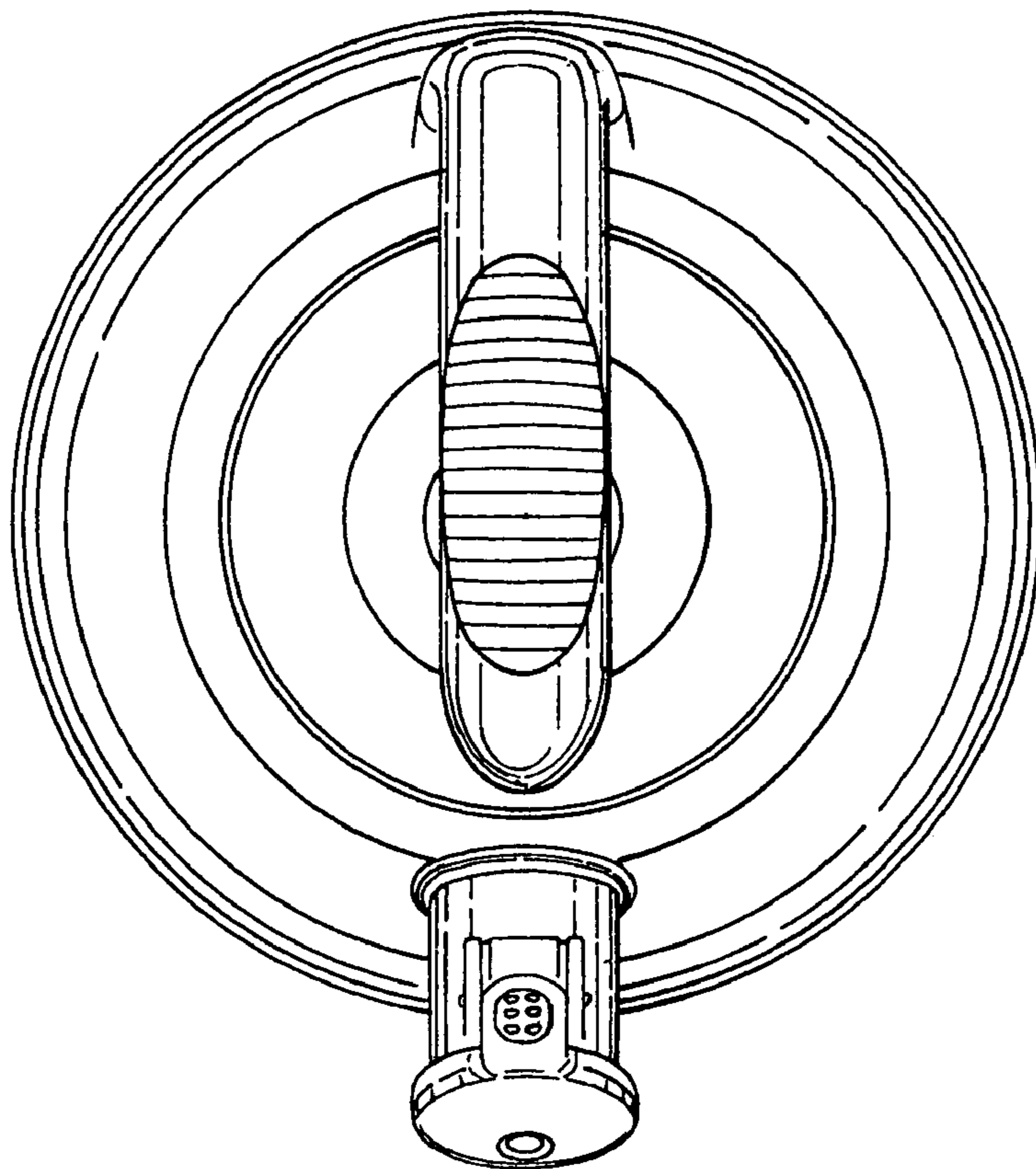


FIG. 5

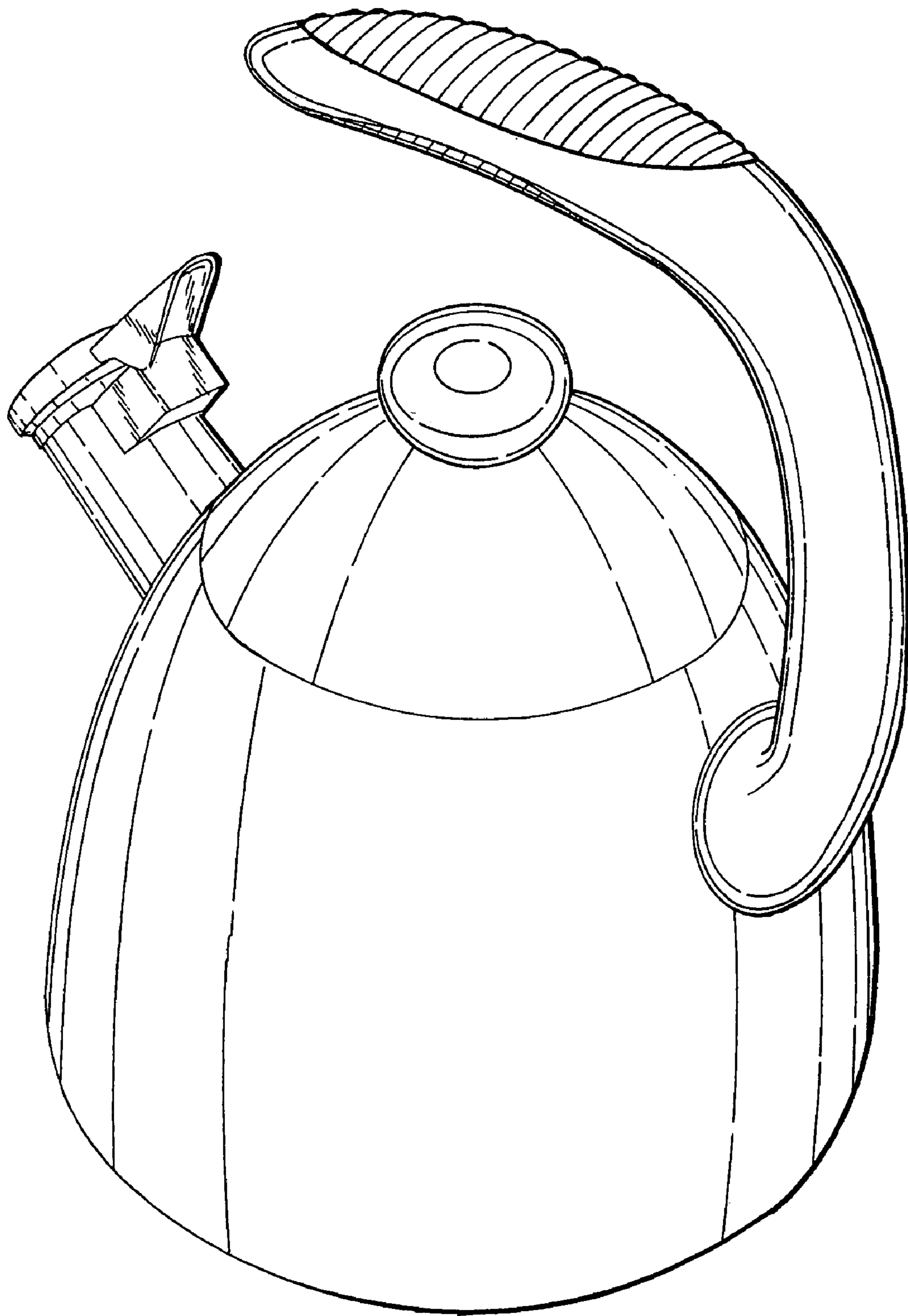


FIG. 7