

US00D568666S

(12) **United States Design Patent**  
**Souloglou**

(10) **Patent No.:** **US D568,666 S**

(45) **Date of Patent:** **\*\* May 13, 2008**

(54) **CONTAINER**

(75) Inventor: **Adonis Souloglou**, Toronto (CA)

(73) Assignee: **Reckitt Benckiser N.V.**, Hoofddorp (NL)

(\*\*) Term: **14 Years**

(21) Appl. No.: **29/275,298**

(22) Filed: **Dec. 20, 2006**

(30) **Foreign Application Priority Data**

Jun. 28, 2006 (EM) ..... 000551999

(51) **LOC (8) Cl.** ..... **07-01**

(52) **U.S. Cl.** ..... **D7/317; D7/316**

(58) **Field of Classification Search** ..... D7/312,  
D7/316-319, 691, 600, 598; 210/282; 215/12.1;  
206/515; 220/4.01; 73/426; D10/46.2;  
D23/207, 209, 212

See application file for complete search history.

(56) **References Cited**

**U.S. PATENT DOCUMENTS**

2,803,375 A \* 8/1957 Meshberg ..... 206/515  
D181,621 S \* 12/1957 Blod ..... D7/317  
D199,037 S \* 9/1964 Jackson ..... D7/691  
D209,073 S \* 10/1967 Martin ..... D7/317  
D215,749 S \* 10/1969 Adler ..... D7/317

3,858,767 A \* 1/1975 Borin ..... 222/494  
3,861,565 A \* 1/1975 Rickmeier, Jr. .... 222/131  
D254,239 S \* 2/1980 Morin ..... D7/317  
D313,555 S \* 1/1991 Jordi ..... D9/424  
D324,320 S \* 3/1992 Pedersen ..... D7/310  
5,637,214 A \* 6/1997 Kahana ..... 210/282  
D386,041 S \* 11/1997 Tanner et al. .... D7/319  
D397,905 S \* 9/1998 Hsu ..... D7/317  
D421,361 S \* 3/2000 Coulson et al. .... D7/319

\* cited by examiner

*Primary Examiner*—Marianne Pandozzi

*Assistant Examiner*—J. Scott

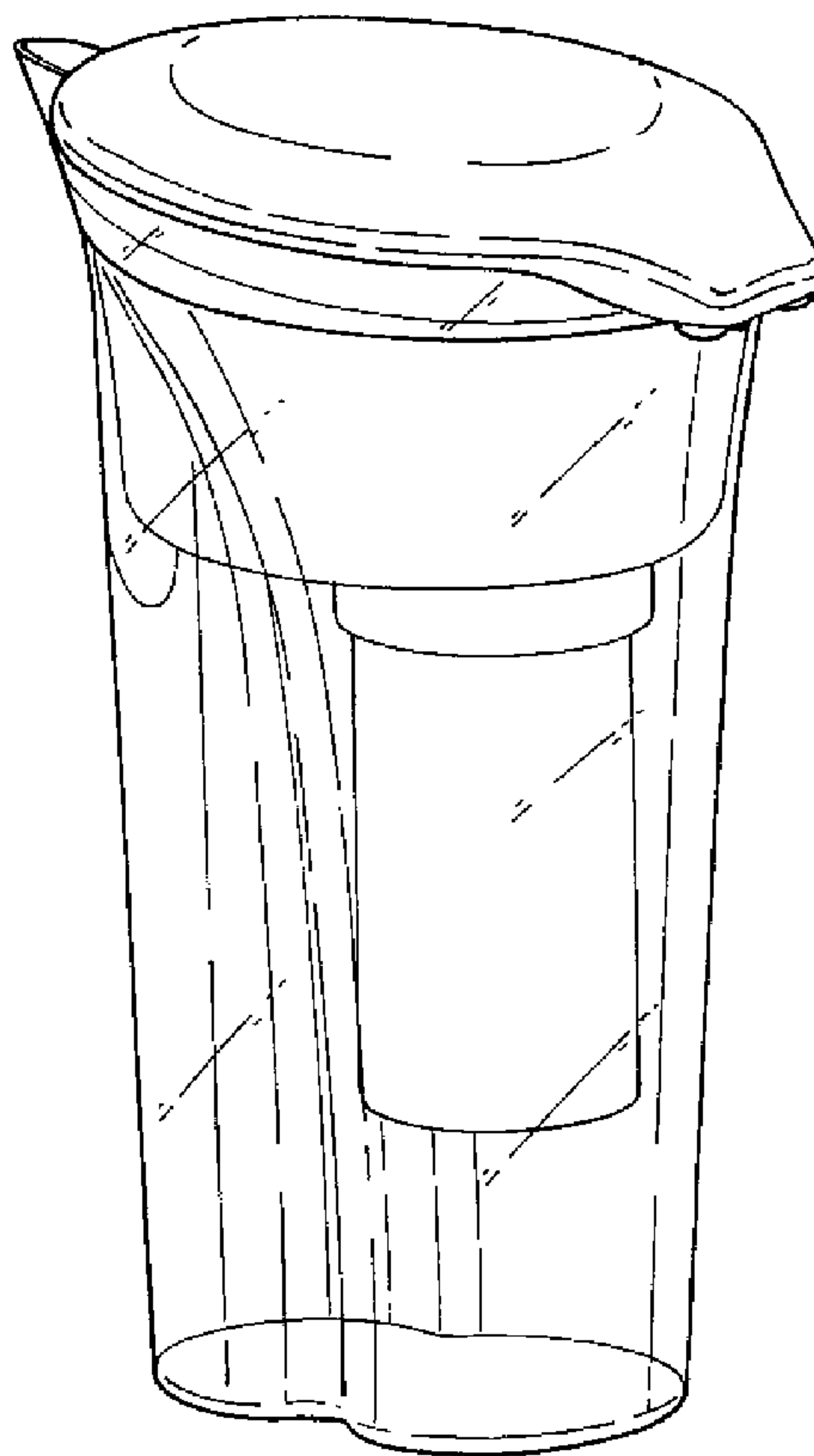
(57) **CLAIM**

The ornamental design for a container, as shown and described.

**DESCRIPTION**

FIG. 1 is a rear perspective view of a container;  
FIG. 2 is an elevational view of the front thereof;  
FIG. 3 is an elevational view of the rear thereof;  
FIG. 4 is a top plan view thereof;  
FIG. 5 is a bottom plan view thereof;  
FIG. 6 is an elevational view of the left side thereof; and,  
FIG. 7 is an elevational view of the right side thereof.

**1 Claim, 3 Drawing Sheets**



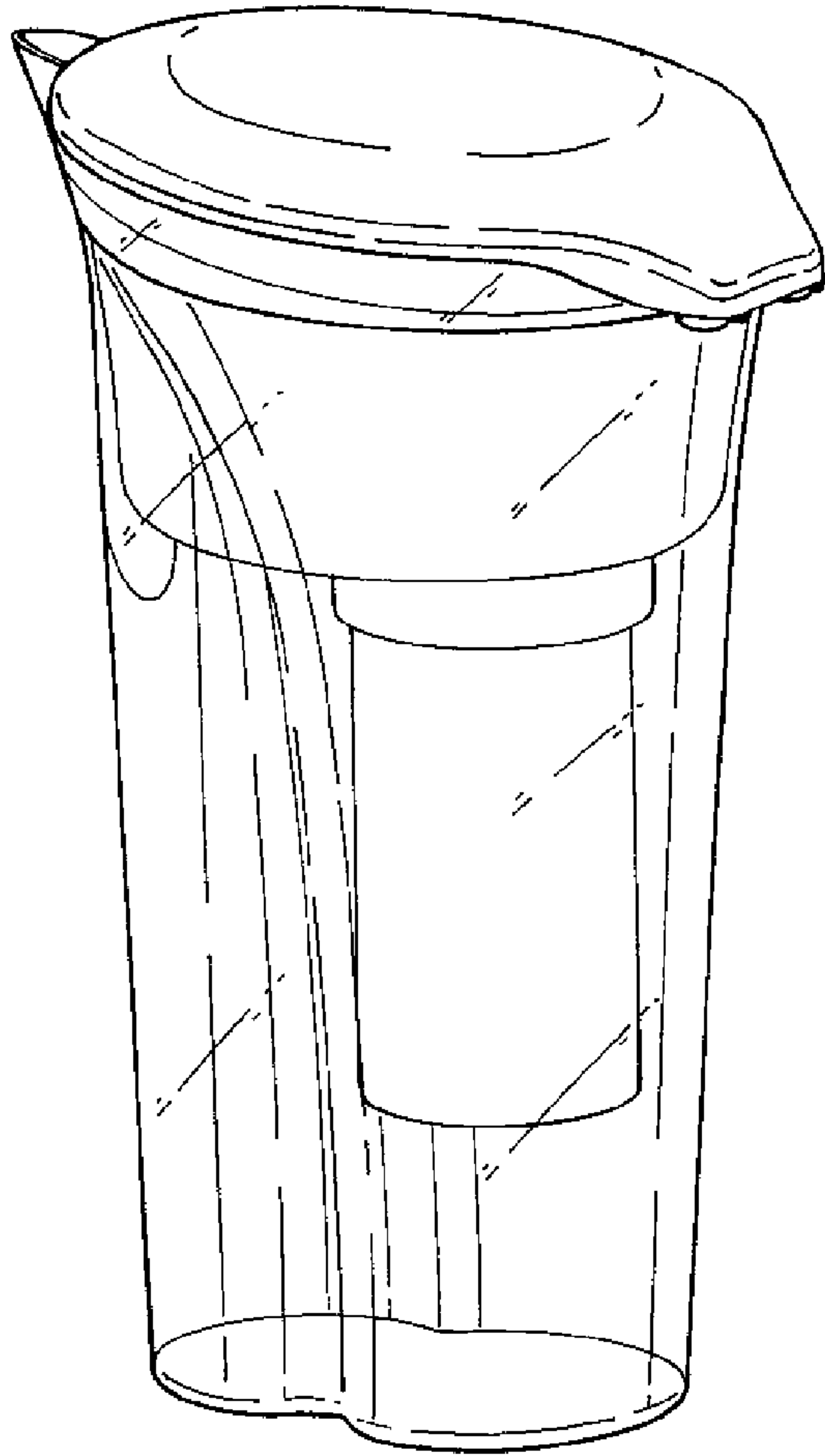


Fig. 1.

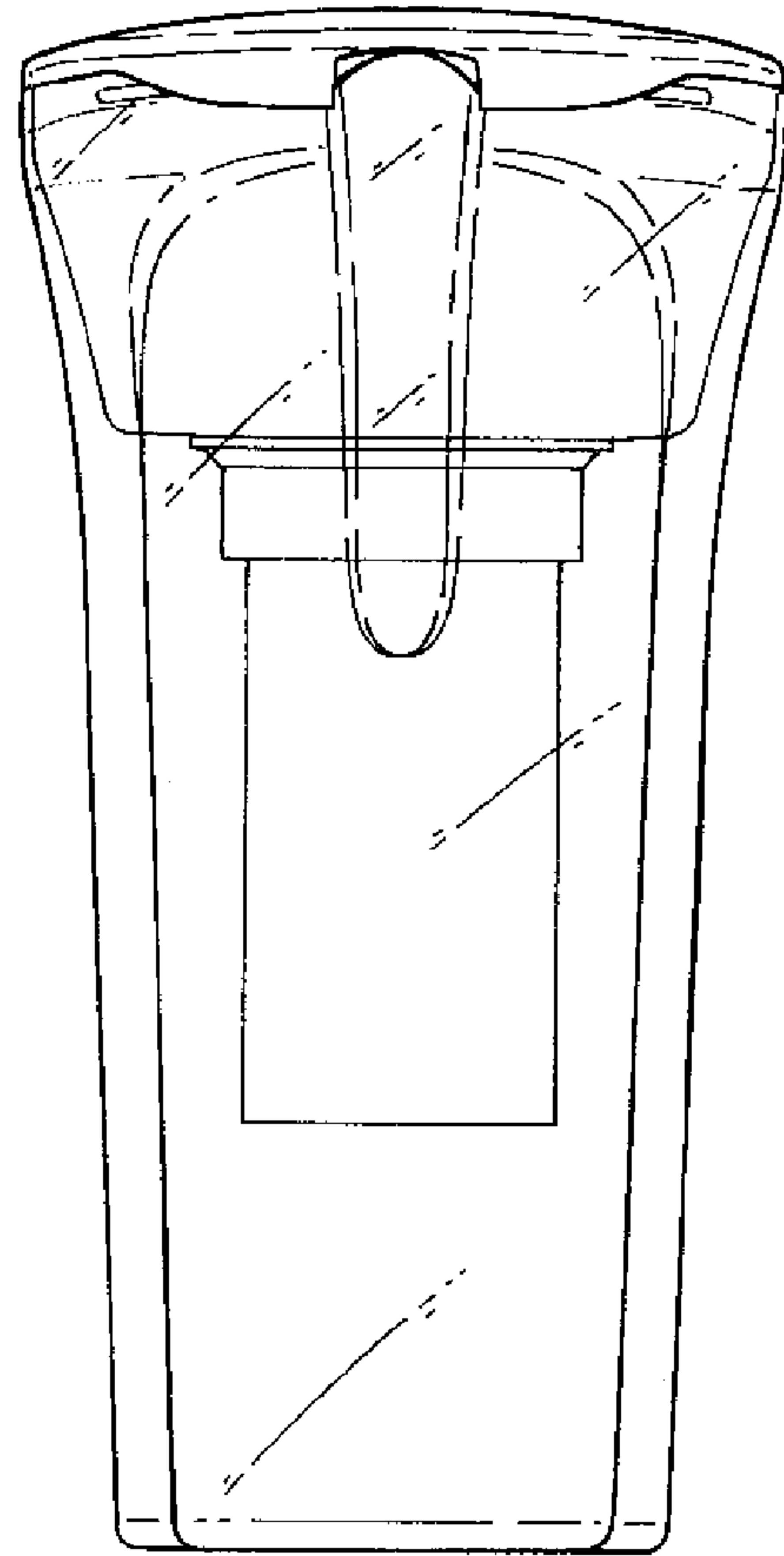


Fig. 2.

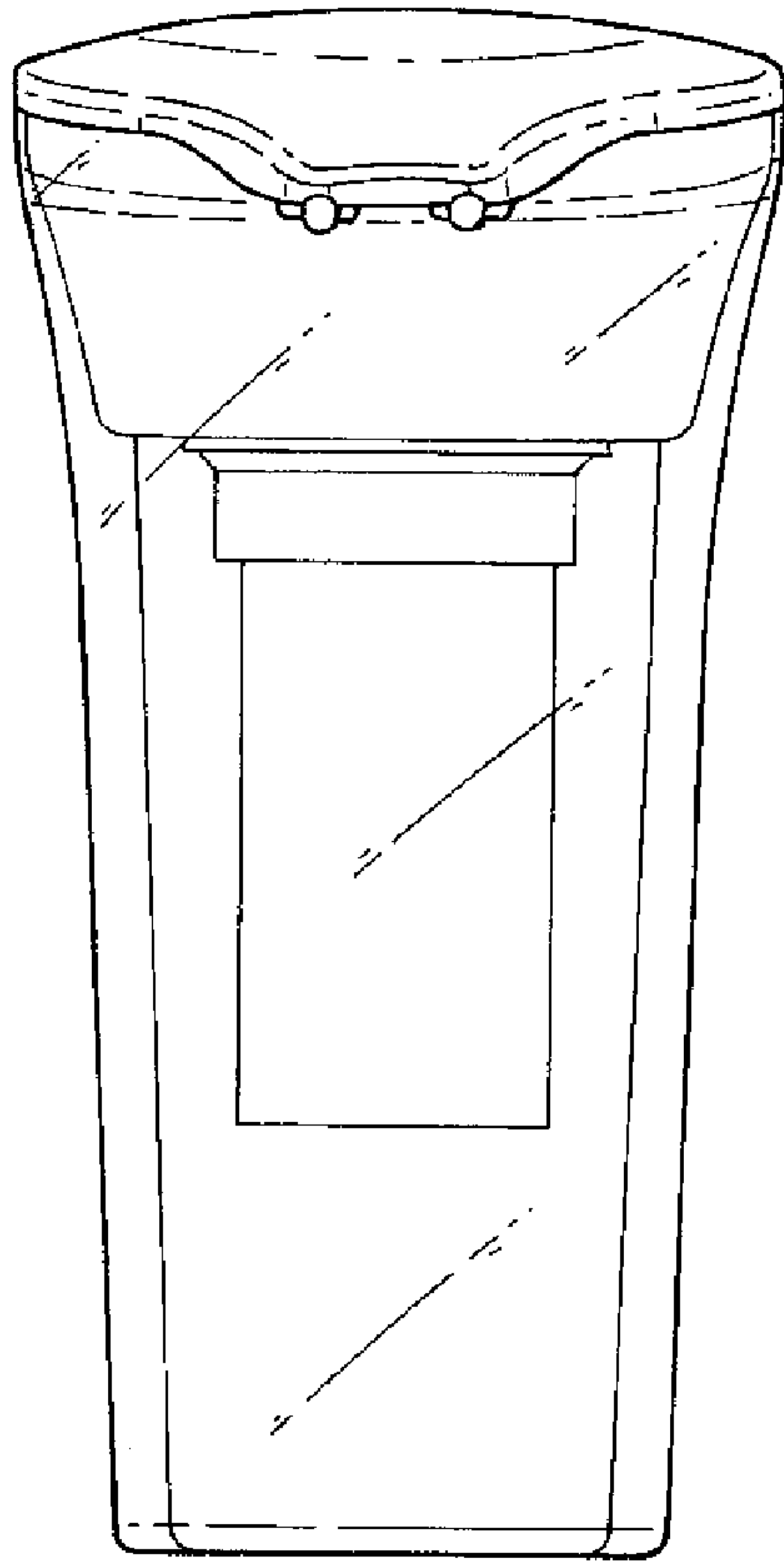


Fig.3.

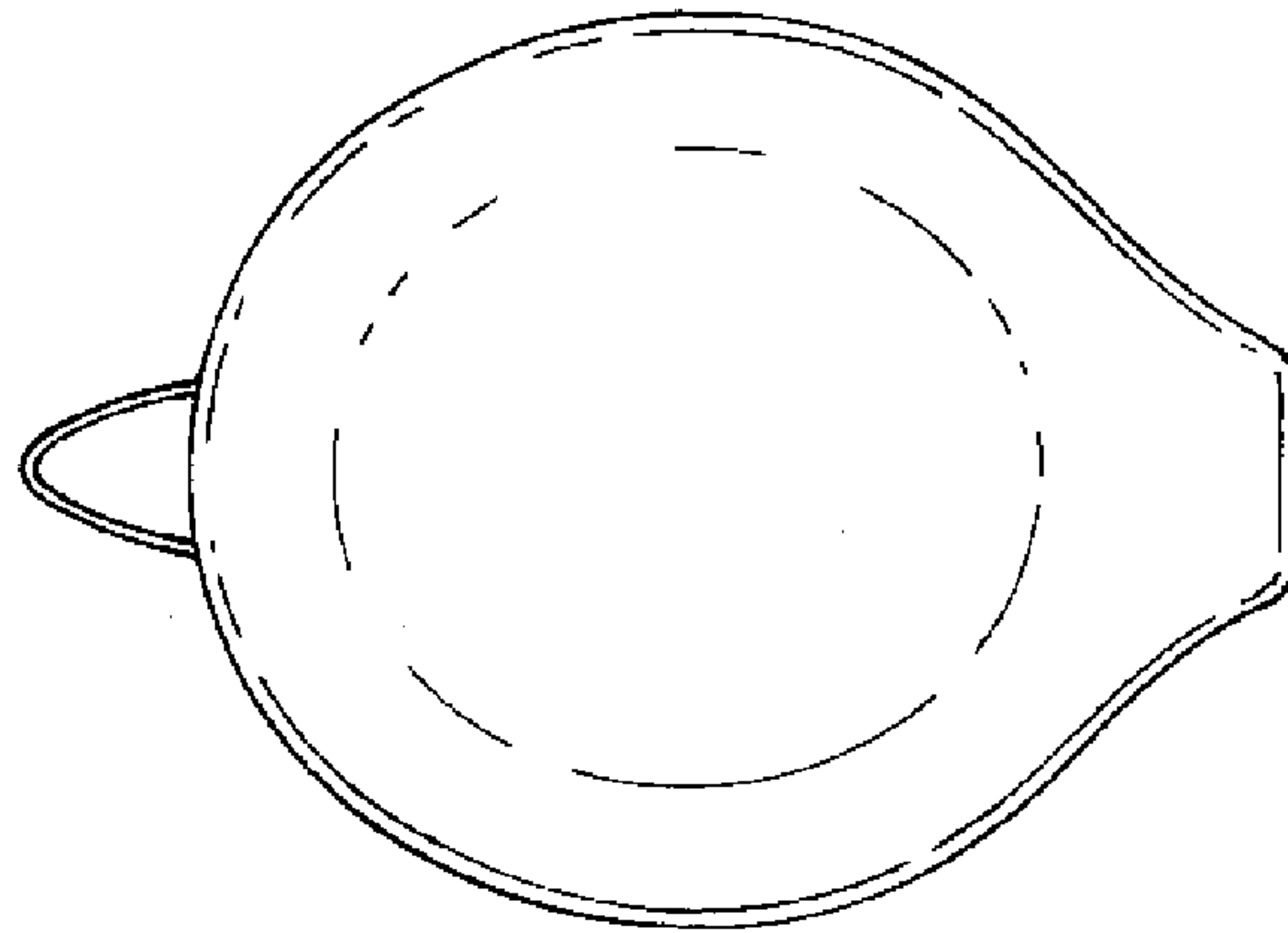


Fig.4.

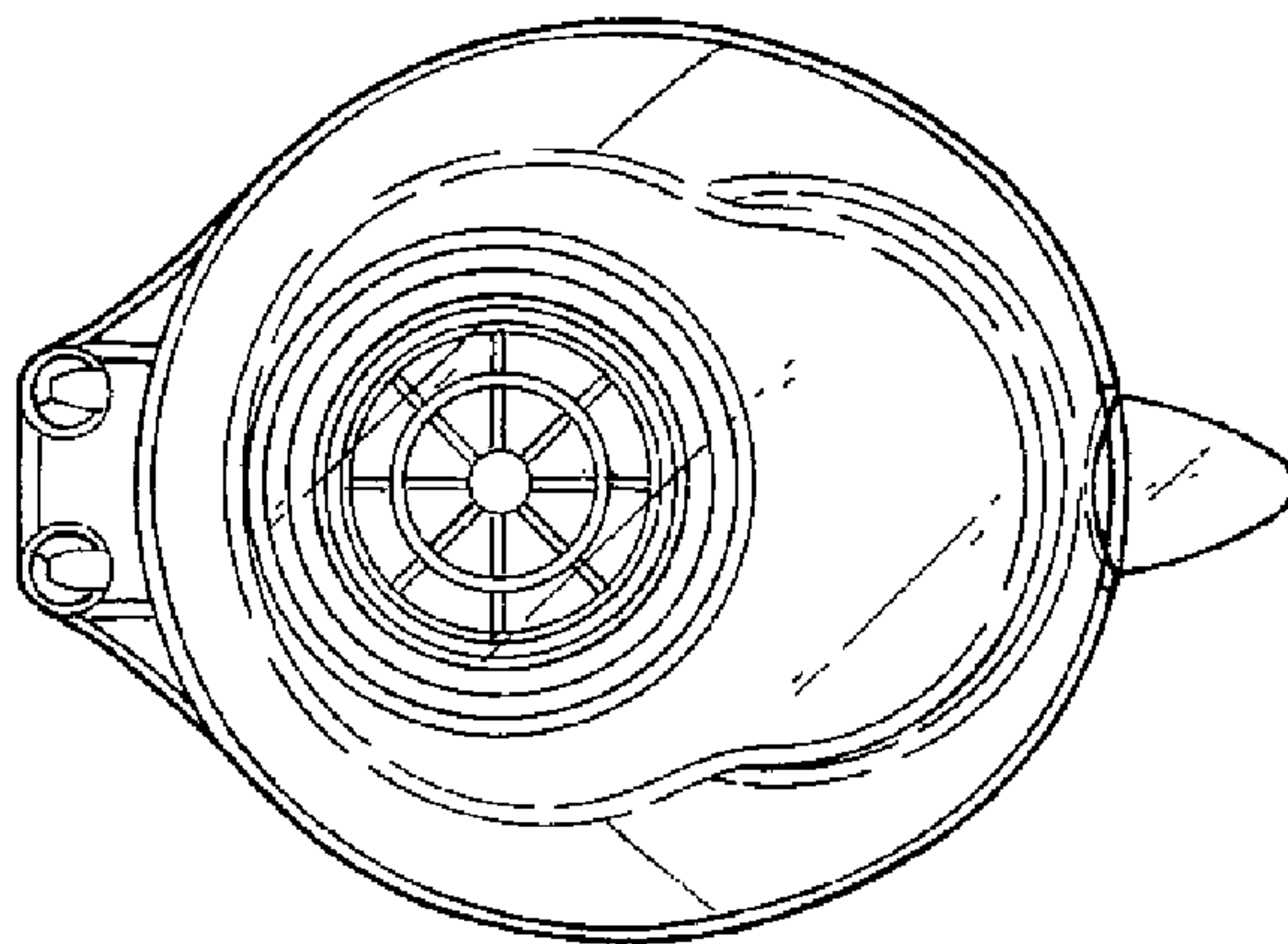


Fig.5.

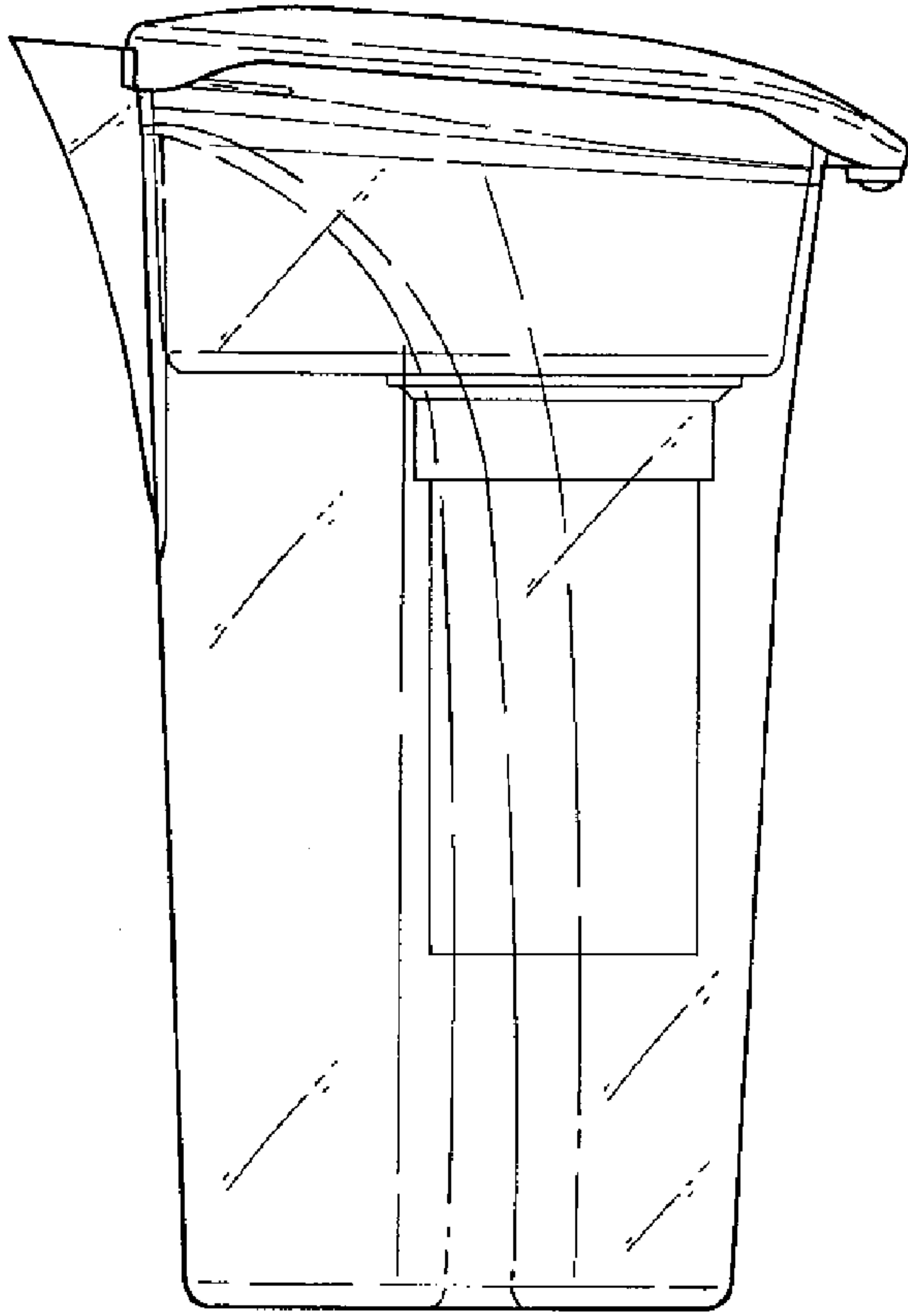


Fig. 6.

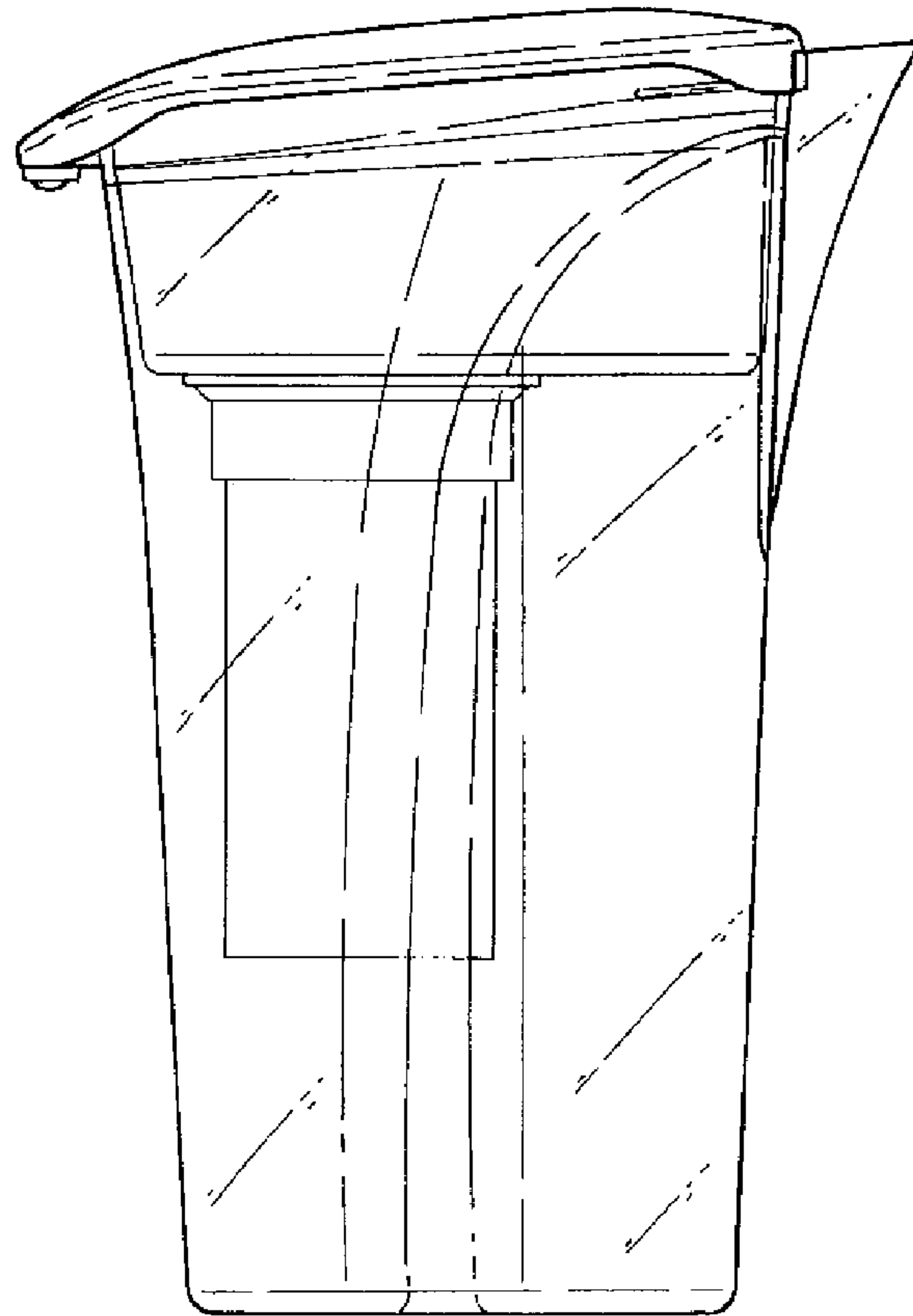


Fig. 7.