



US00D568663S

(12) **United States Design Patent**  
**Chou**

(10) **Patent No.:** **US D568,663 S**

(45) **Date of Patent:** **\*\* May 13, 2008**

(54) **WINDOW BLIND STRING CONTROLLER**

(76) **Inventor:** **Tser Wen Chou**, No. 212, Lane 23,  
Shuei-Guan Road, Niau-Sung Hsiang,  
Kaohsiung Hsien (TW)

(\*\*) **Term:** **14 Years**

(21) **Appl. No.:** **29/271,208**

(22) **Filed:** **Jan. 12, 2007**

(51) **LOC (8) Cl.** ..... **06-10**

(52) **U.S. Cl.** ..... **D6/580**

(58) **Field of Classification Search** ..... D6/575,  
D6/576, 577, 578, 579, 580, 581; 160/38,  
160/39, 168.1, 168.1 R, 168.1 V, 173, 173 R,  
160/176.1 R, 176.1 V, 177, 178.1, 178.1 R,  
160/178.2, 331, 349.1, 349.2; 318/16, 17;  
D8/354; 340/854.5; 84/10

See application file for complete search history.

(56) **References Cited**

**U.S. PATENT DOCUMENTS**

D254,642 S *	4/1980	Woodle	.....	D6/580
D277,062 S *	1/1985	Brolin	.....	D6/580
D329,360 S *	9/1992	Wu	.....	D7/679
D331,517 S *	12/1992	Warner	.....	D6/580
D346,929 S *	5/1994	Fraser et al.	.....	D6/580
D359,410 S *	6/1995	Domel et al.	.....	D6/580
D387,598 S *	12/1997	Liu	.....	D6/580
D392,490 S *	3/1998	Kimata et al.	.....	D6/580
D422,311 S *	4/2000	Shamoon	.....	D19/65
D427,054 S *	6/2000	Markarian	.....	D8/400
D429,588 S *	8/2000	Smederod	.....	D6/580

D457,372 S *	5/2002	Sun et al.	.....	D6/580
D489,987 S *	5/2004	Ogata et al.	.....	D9/774
D506,341 S *	6/2005	Gruner	.....	D6/580
D530,558 S *	10/2006	Damiano	.....	D6/580
2002/0149500 A1 *	10/2002	Beique et al.	.....	340/854.5
2004/0007116 A1 *	1/2004	Marcus	.....	84/10

\* cited by examiner

*Primary Examiner*—T. Chase Nelson

*Assistant Examiner*—Barbara B Lohr

(74) *Attorney, Agent, or Firm*—Troxell Law Office, PLLC

(57) **CLAIM**

The ornamental design for a window blind string controller, as shown and described.

**DESCRIPTION**

FIG. 1 is a perspective view of a window blind string holder;

FIG. 2 is a front view thereof;

FIG. 3 is a rear view thereof;

FIG. 4 is a top view thereof;

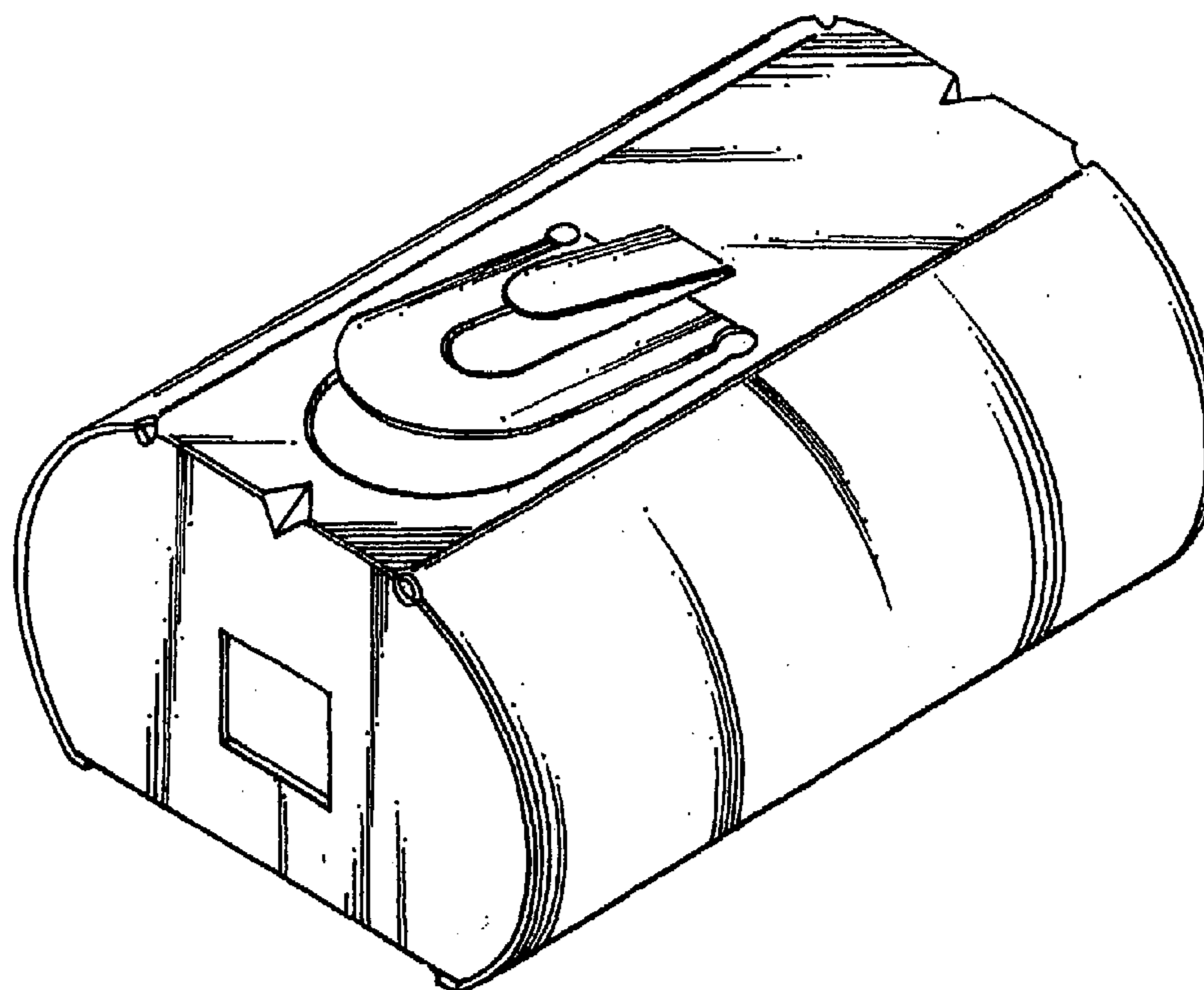
FIG. 5 is a bottom view thereof;

FIG. 6 is a right side view thereof;

FIG. 7 is a left side view thereof; and,

FIG. 8 is a perspective view of the window blind string controller shown in condition of use with broken line environmental structure. The broken line showing of environmental structure is for illustrative purposes only and forms no part of the claimed design.

**1 Claim, 5 Drawing Sheets**



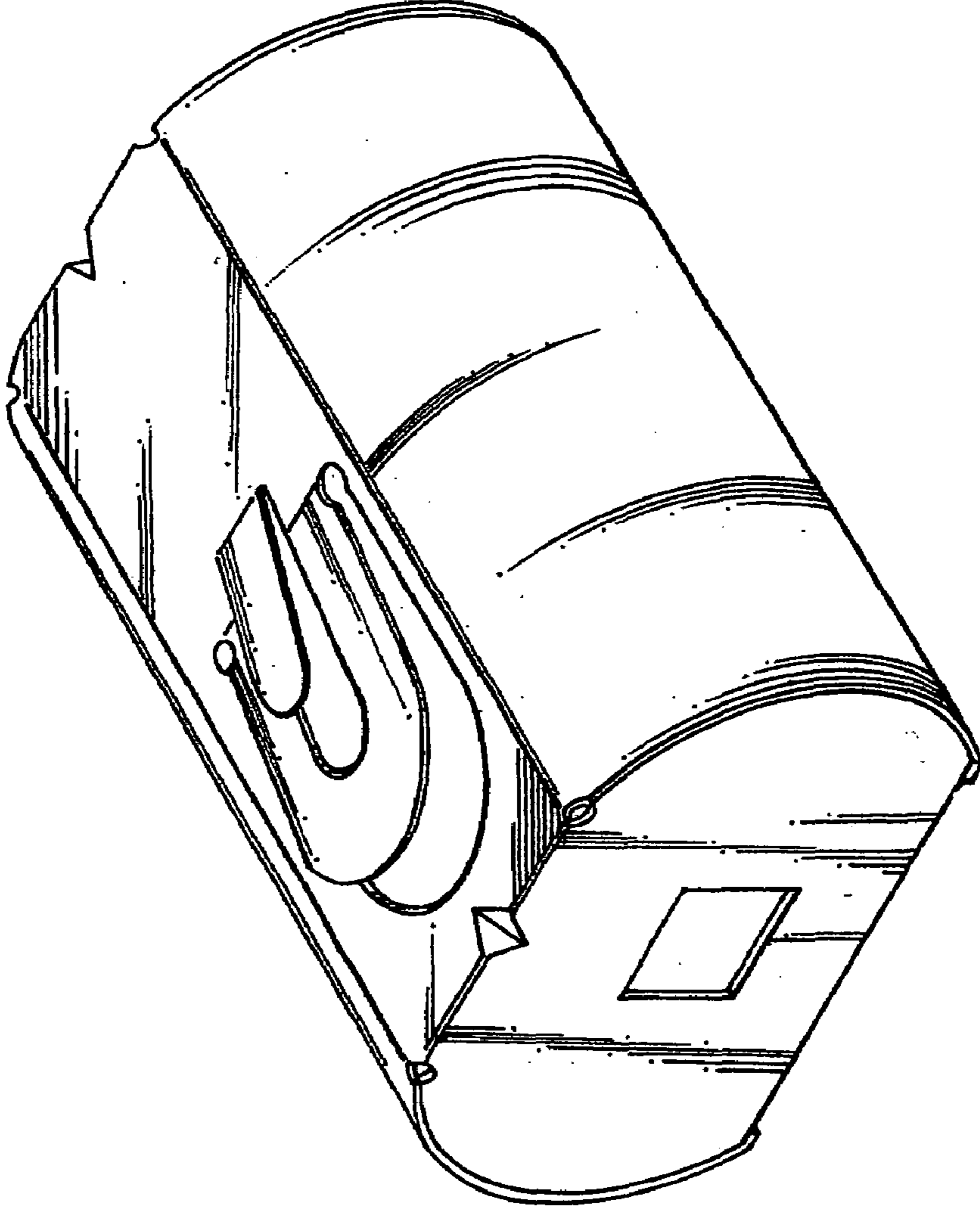


FIG 1

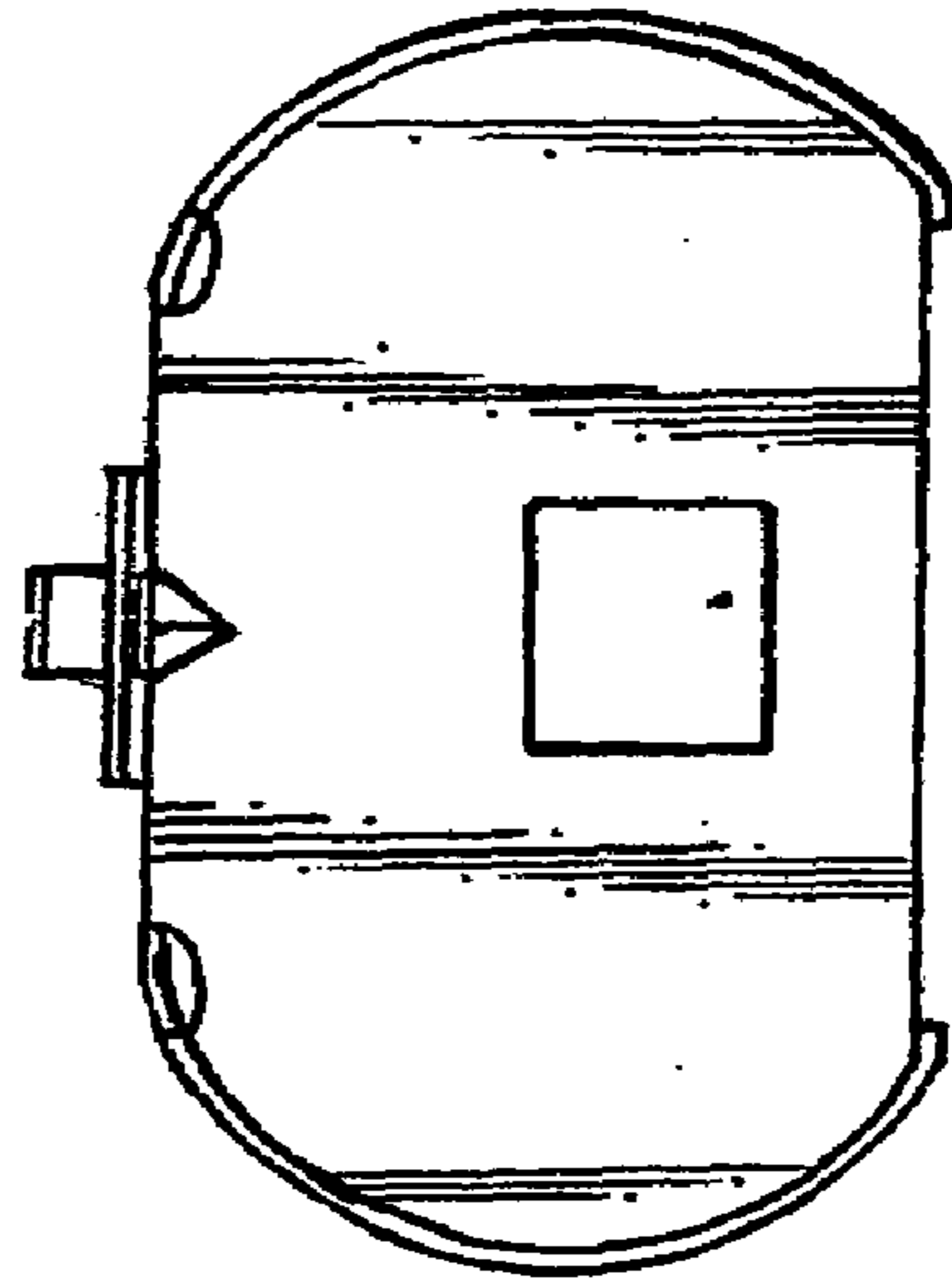


FIG 2

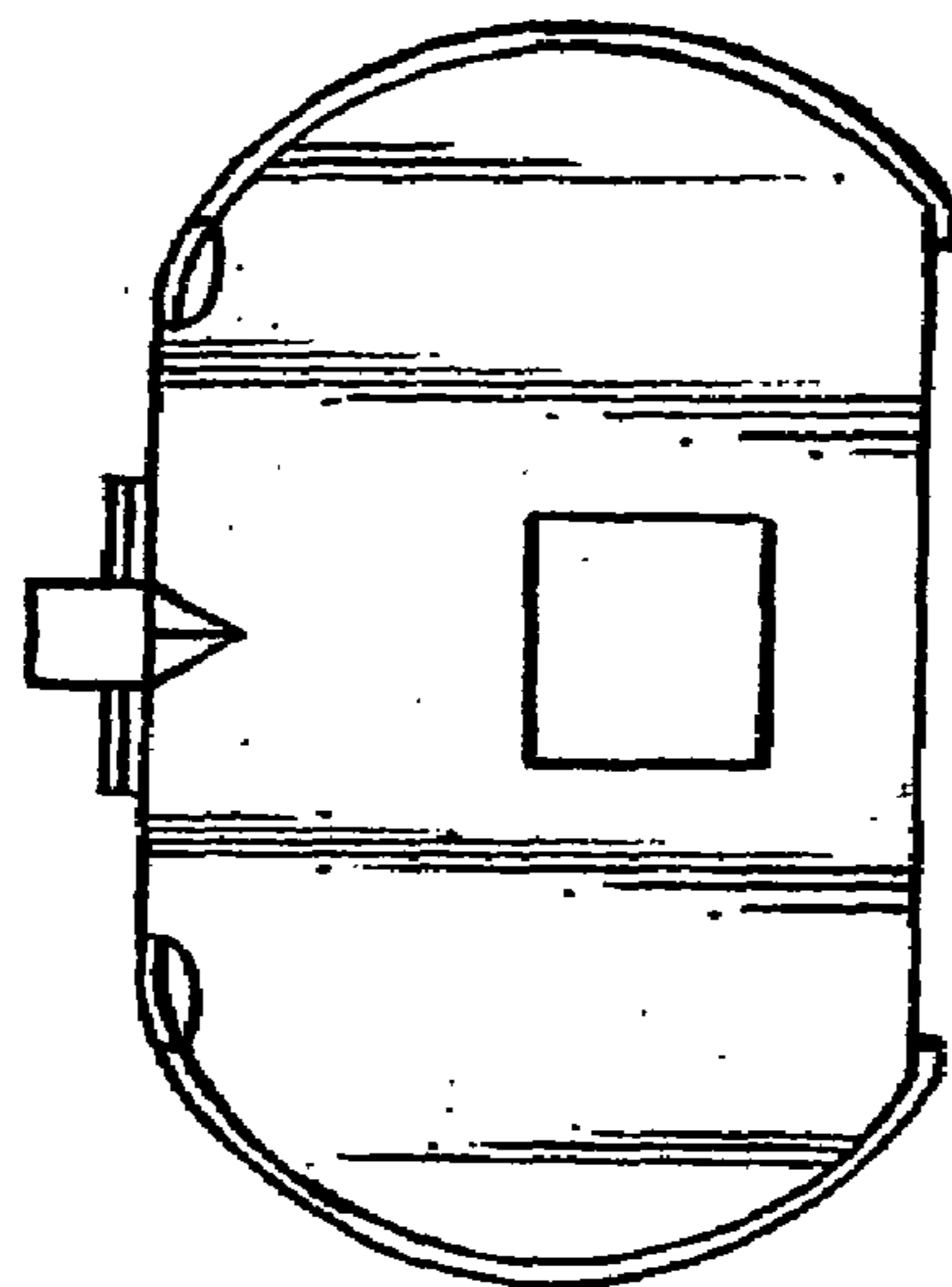


FIG 3

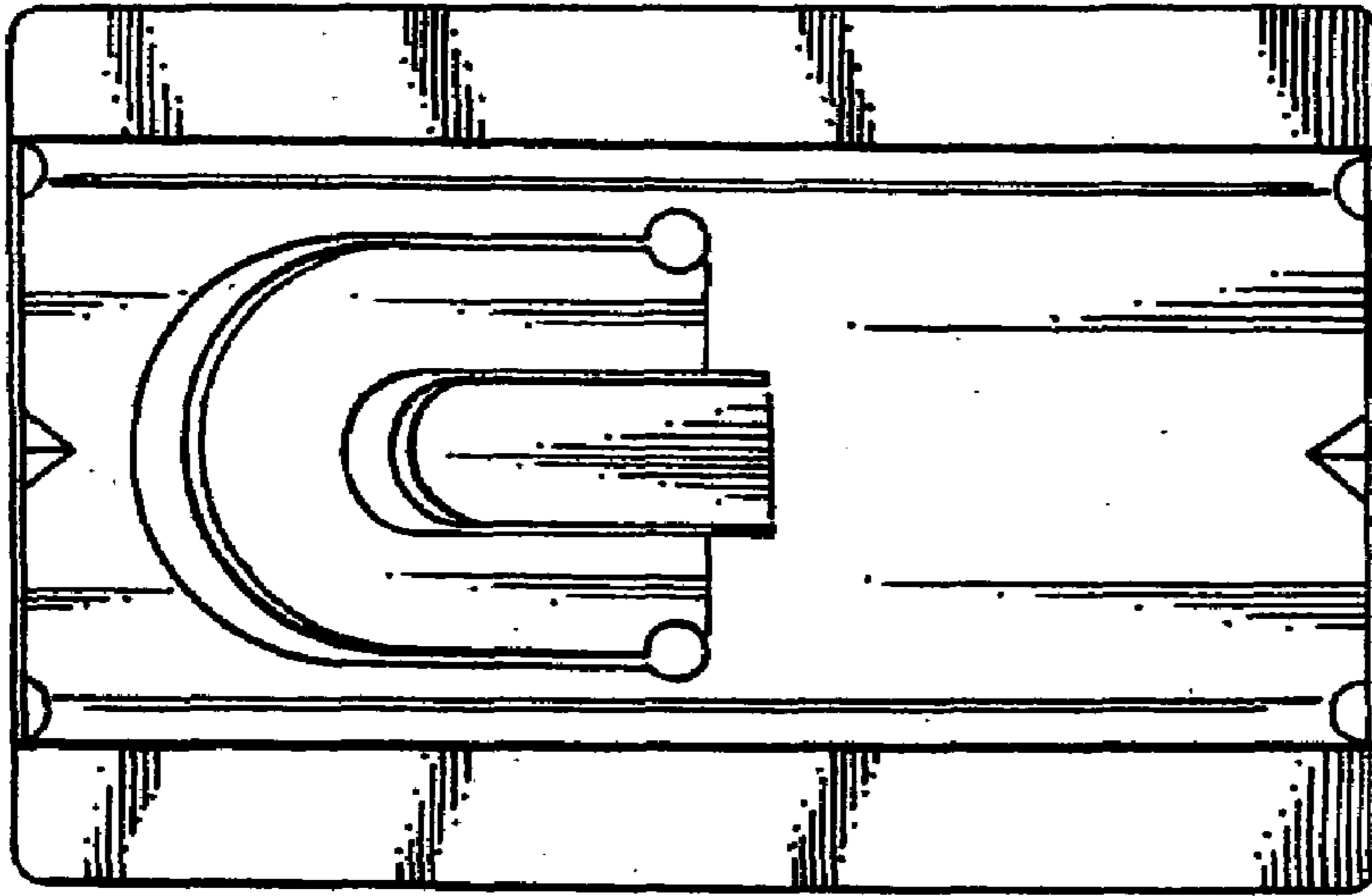


FIG5

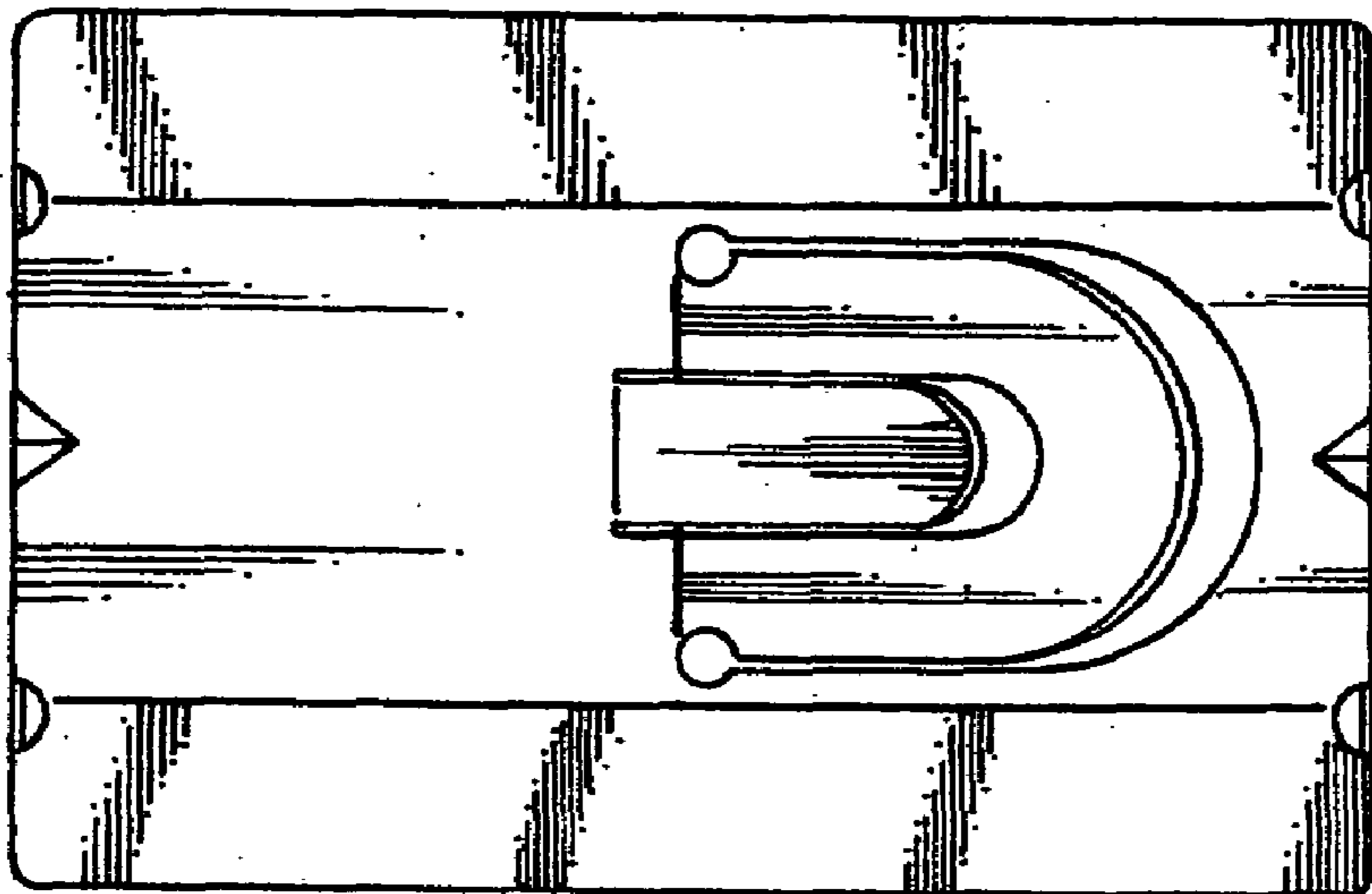


FIG4

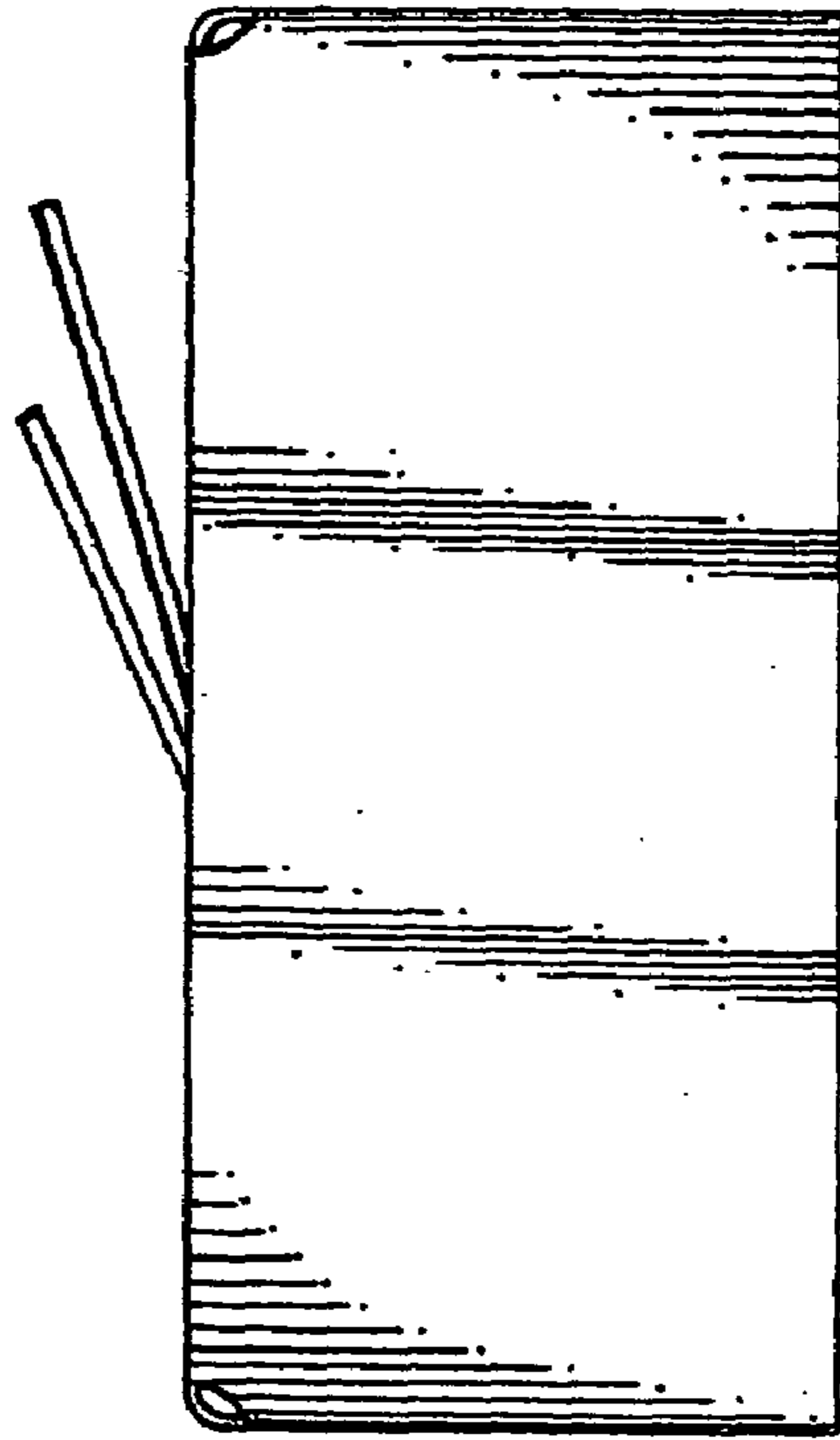


FIG7

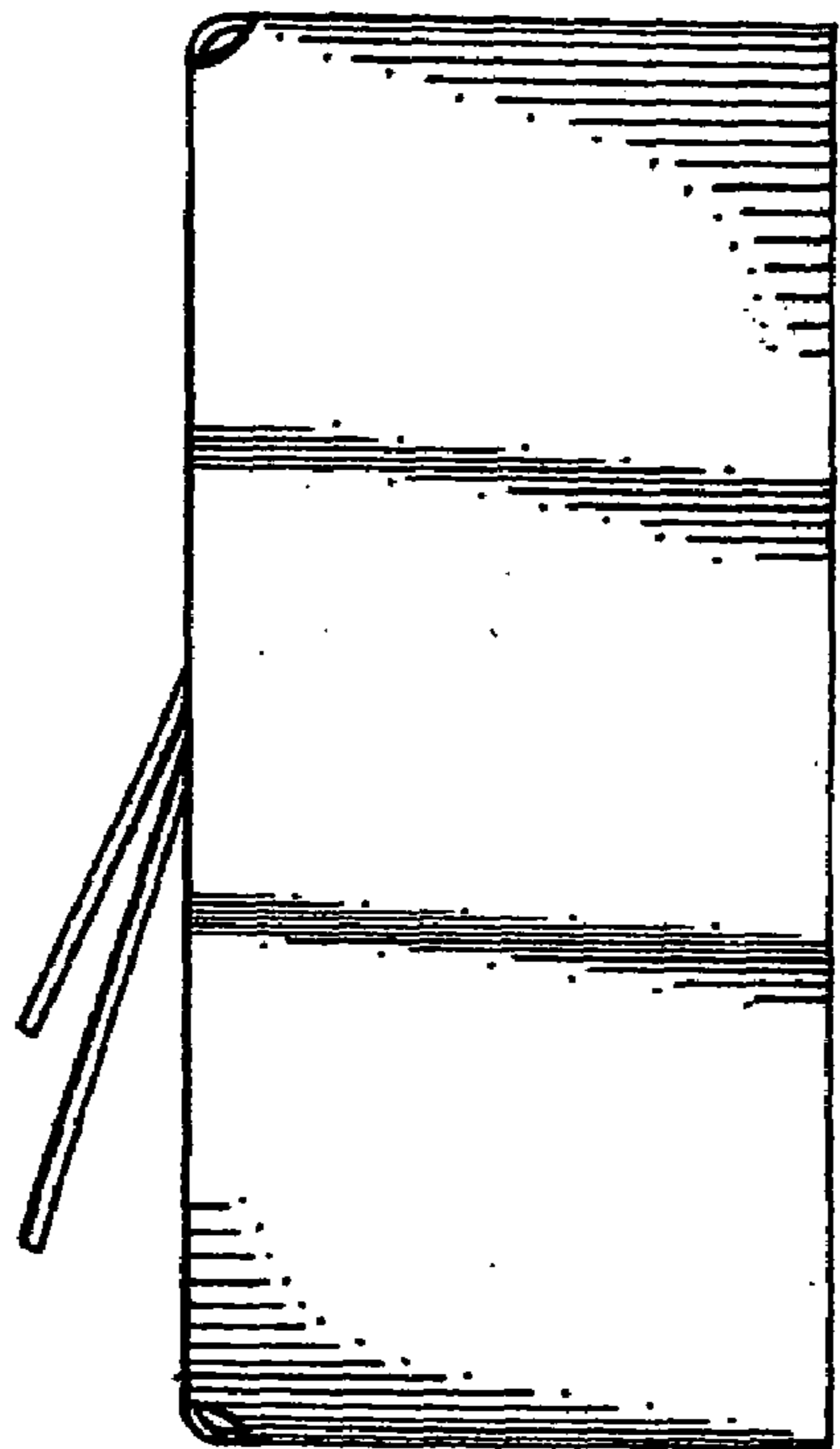


FIG6

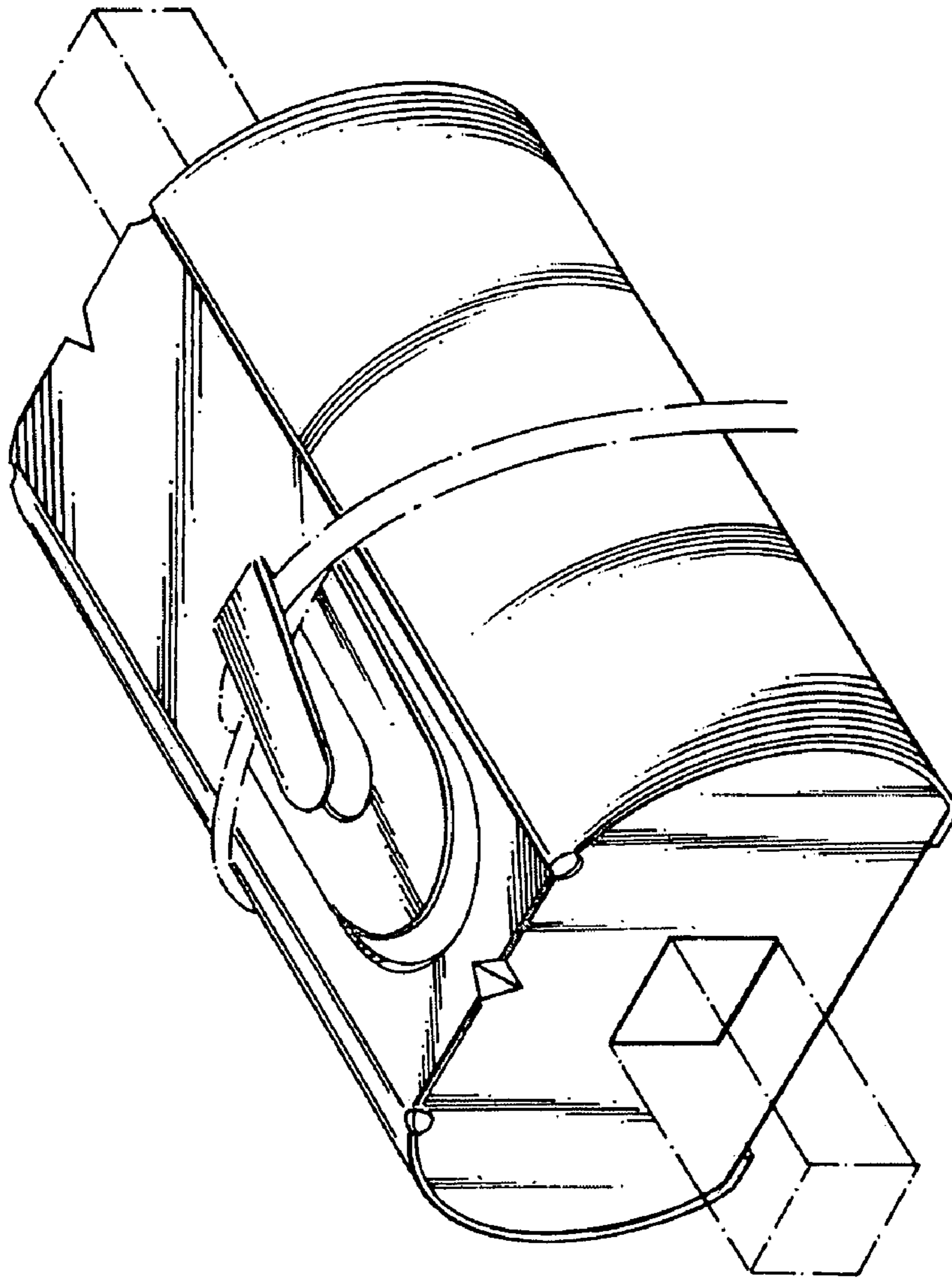


FIG 8