



US00D568662S

(12) **United States Design Patent**
Bohlen

(10) **Patent No.:** **US D568,662 S**

(45) **Date of Patent:** **** May 13, 2008**

(54) **FOLDING SHADE OF WASHI FABRIC**

(75) Inventor: **Jorg Bohlen**, Langen (DE)

(73) Assignee: **Hunter Douglas Industries BV**, El
Rotterdam (NL)

(**) Term: **14 Years**

(21) Appl. No.: **29/277,465**

(22) Filed: **Feb. 27, 2007**

(30) **Foreign Application Priority Data**

Aug. 31, 2006 (EM) 000583893-0001

(51) **LOC (8) Cl.** **06-10**

(52) **U.S. Cl.** **D6/575**

(58) **Field of Classification Search** D6/575,
D6/576, 577, 578, 579, 580, 581, 582, 583,
D6/584, 585, 586, 587, 588, 589, 590, 591,
D6/592, 593, 594; 160/35, 84.01, 84.3, 84.04,
160/84.05, 84.06, 84.08, 84.09, 84.11, 231.1,
160/236, 108, 109, 110, 111, 112, 113, 114,
160/115, 130, 179, 180, 181, 199, 279, 330,
160/340, 344, 348; 139/383 R, 384 A, 420 R,
139/424, 426 R

See application file for complete search history.

(56) **References Cited**

U.S. PATENT DOCUMENTS

2,814,341 A 11/1957 Piana
4,422,492 A * 12/1983 Bledsoe 160/84.04
5,566,735 A * 10/1996 Jelic 160/84.04
6,497,264 B1 * 12/2002 Paskevicius 160/84.04
D468,950 S * 1/2003 Judkins D6/575
6,640,867 B1 * 11/2003 Pallotta et al. 160/84.04
6,792,994 B2 * 9/2004 Lin 160/84.03
D502,625 S * 3/2005 Smith et al. D6/575
6,988,526 B2 * 1/2006 Judkins 160/84.01
D533,003 S * 12/2006 Yu et al. D6/575
7,252,132 B2 * 8/2007 Nien et al. 160/84.01

2002/0124972 A1 9/2002 Simon
2006/0102293 A1 5/2006 Wu
2006/0225846 A1* 10/2006 Marusak et al. 160/126
2007/0023150 A1* 2/2007 Yu et al. 160/168.1 R
2007/0068636 A1* 3/2007 Yu et al. 160/168.1 R
2007/0251652 A1* 11/2007 Anthony et al. 160/84.04

FOREIGN PATENT DOCUMENTS

EP 0 076 349 A1 4/1983
EP 0 178 361 A1 4/1986
EP 0 883 728 B1 12/1998
FR 2 410 117 6/1979
WO WO 90/15913 A1 12/1990

* cited by examiner

Primary Examiner—T. Chase Nelson

Assistant Examiner—Barbara B Lohr

(74) *Attorney, Agent, or Firm*—Dorsey & Whitney LLP

(57) **CLAIM**

The ornamental design for a folding shade of washi fabric,
as shown and described.

DESCRIPTION

FIG. 1 is an isometric of a front view of the folding shade
of washi fabric of this design in a fully closed condition;

FIG. 2 is an isometric of a rear view of the shade in a fully
closed condition;

FIG. 3 is an isometric of a front view of the shade in a
partially closed condition;

FIG. 4 is an isometric of a rear view of the shade in a
partially closed condition;

FIG. 5 is a side elevation of the shade in a fully open
condition;

FIG. 6 is an isometric of a front view of the shade in a fully
open condition; and,

FIG. 7 is a side elevation of the shade in a fully open
condition.

1 Claim, 5 Drawing Sheets

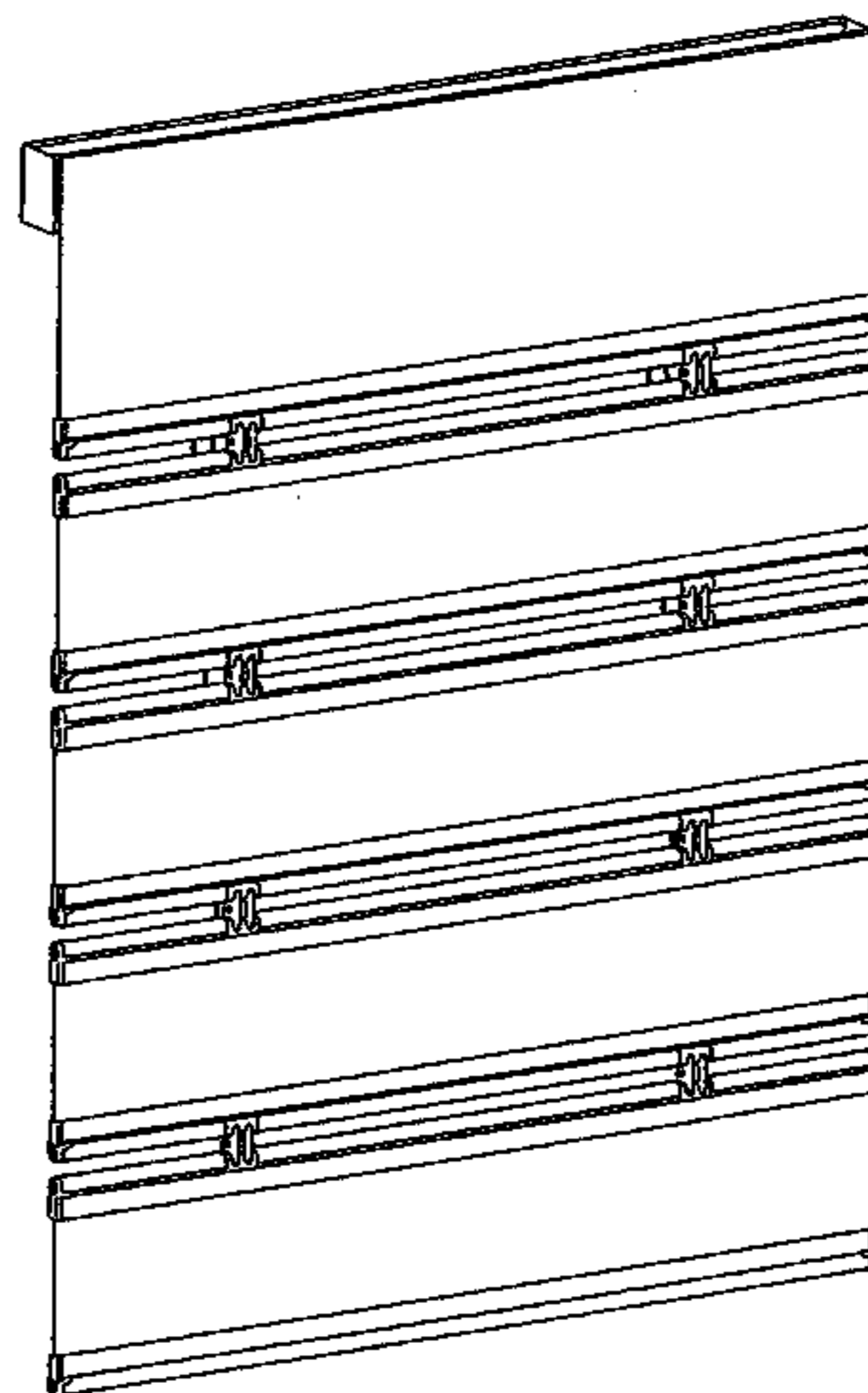


Fig. 1

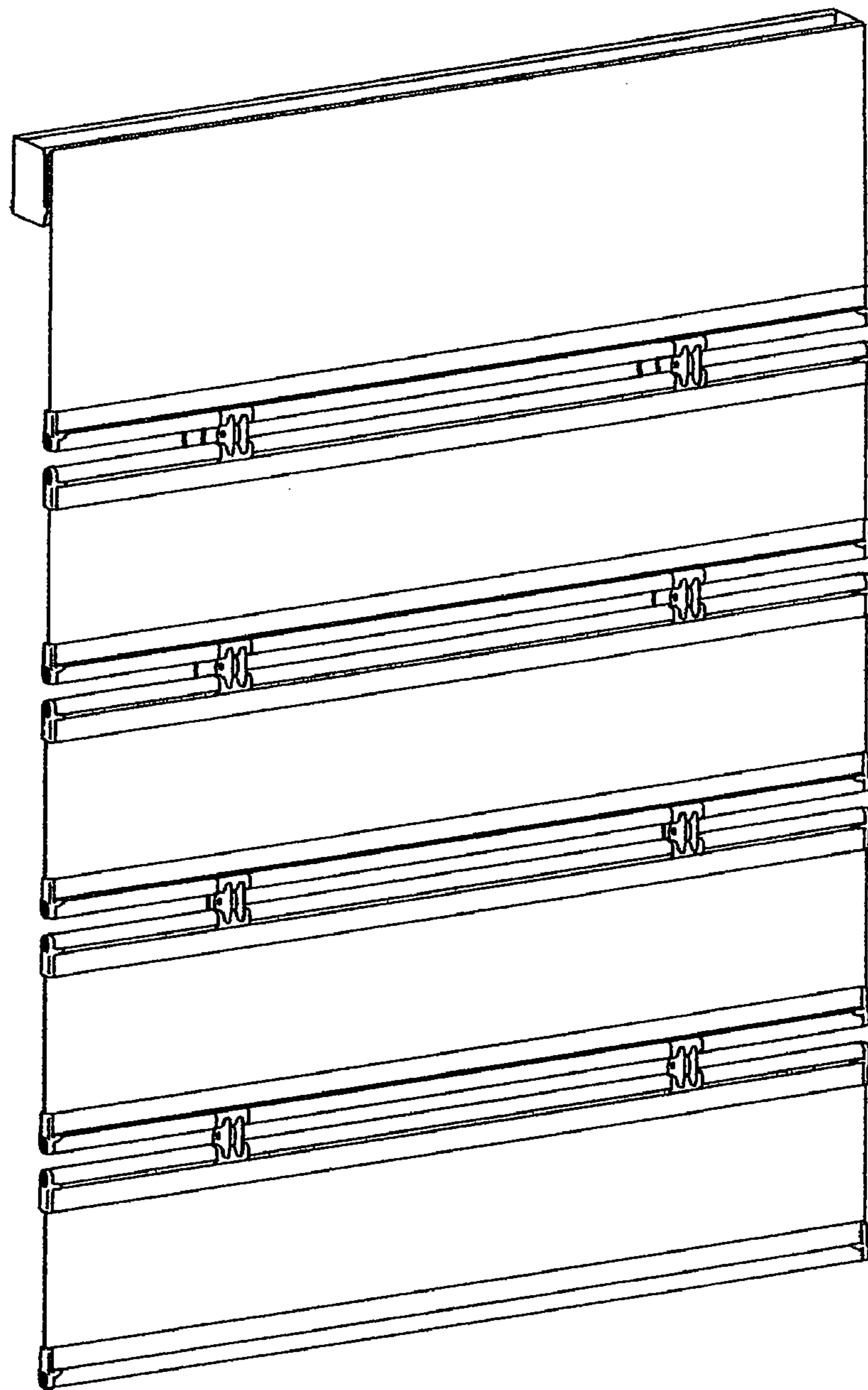
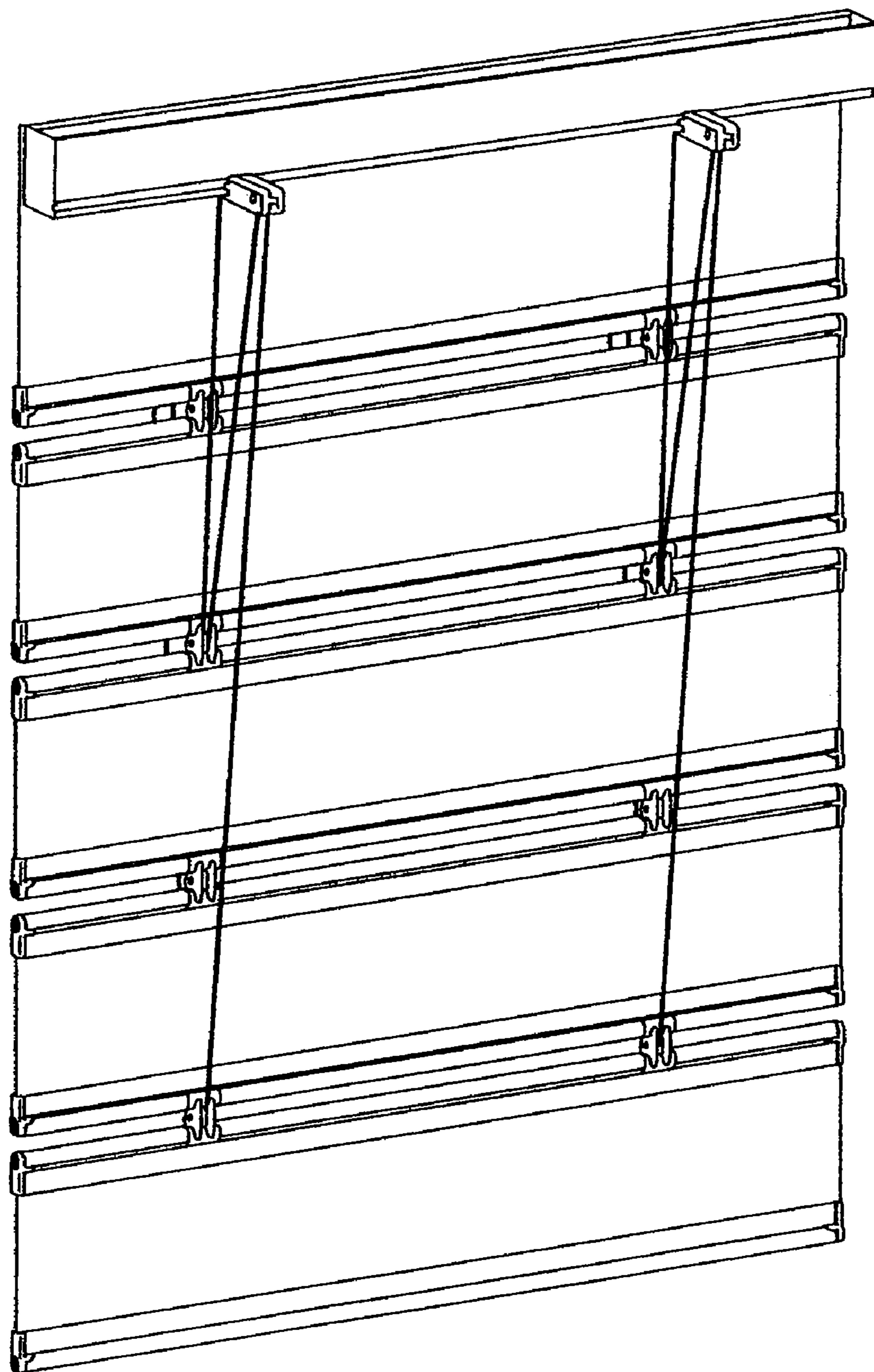


Fig. 2



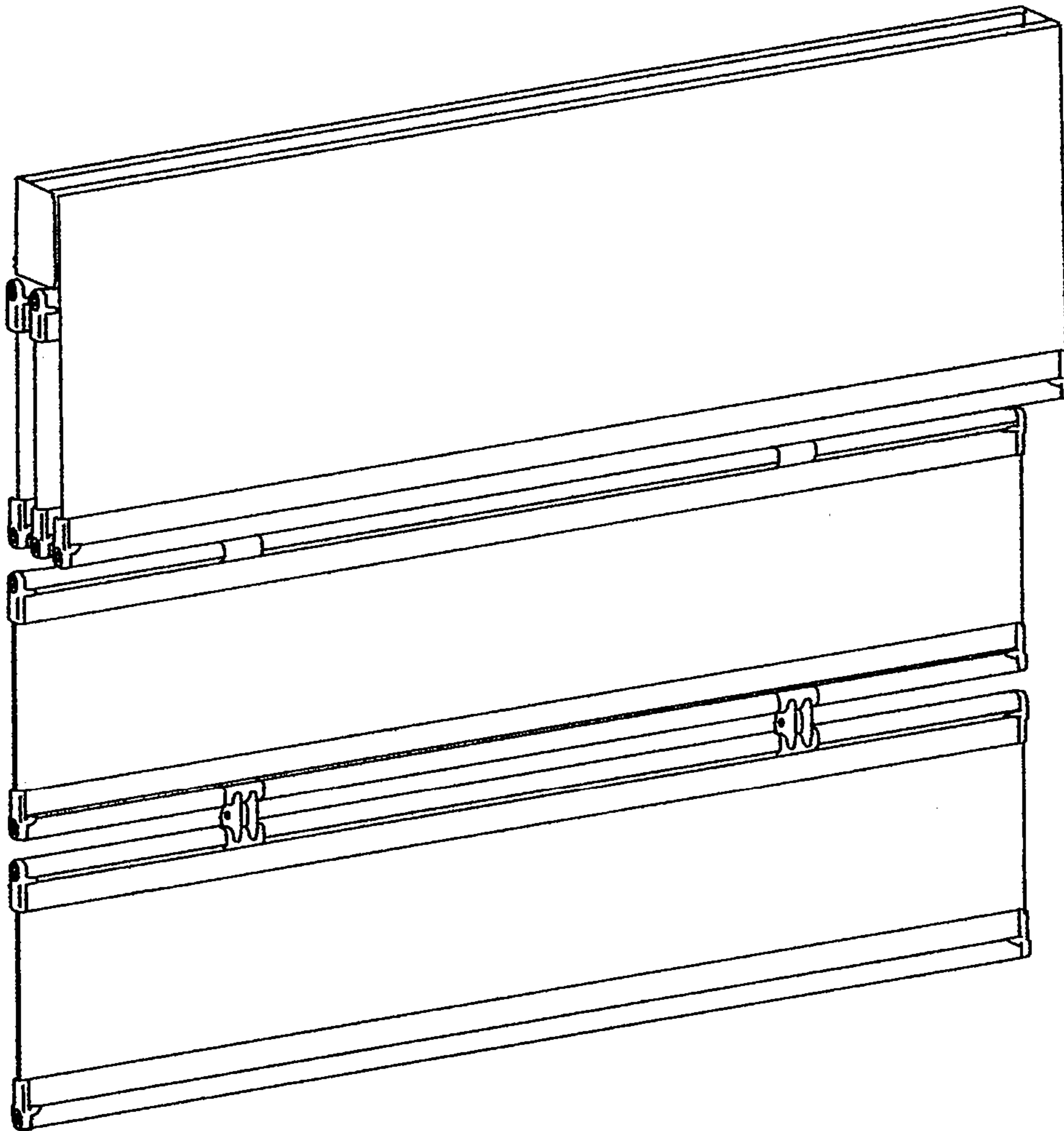


Fig.3

Fig.4

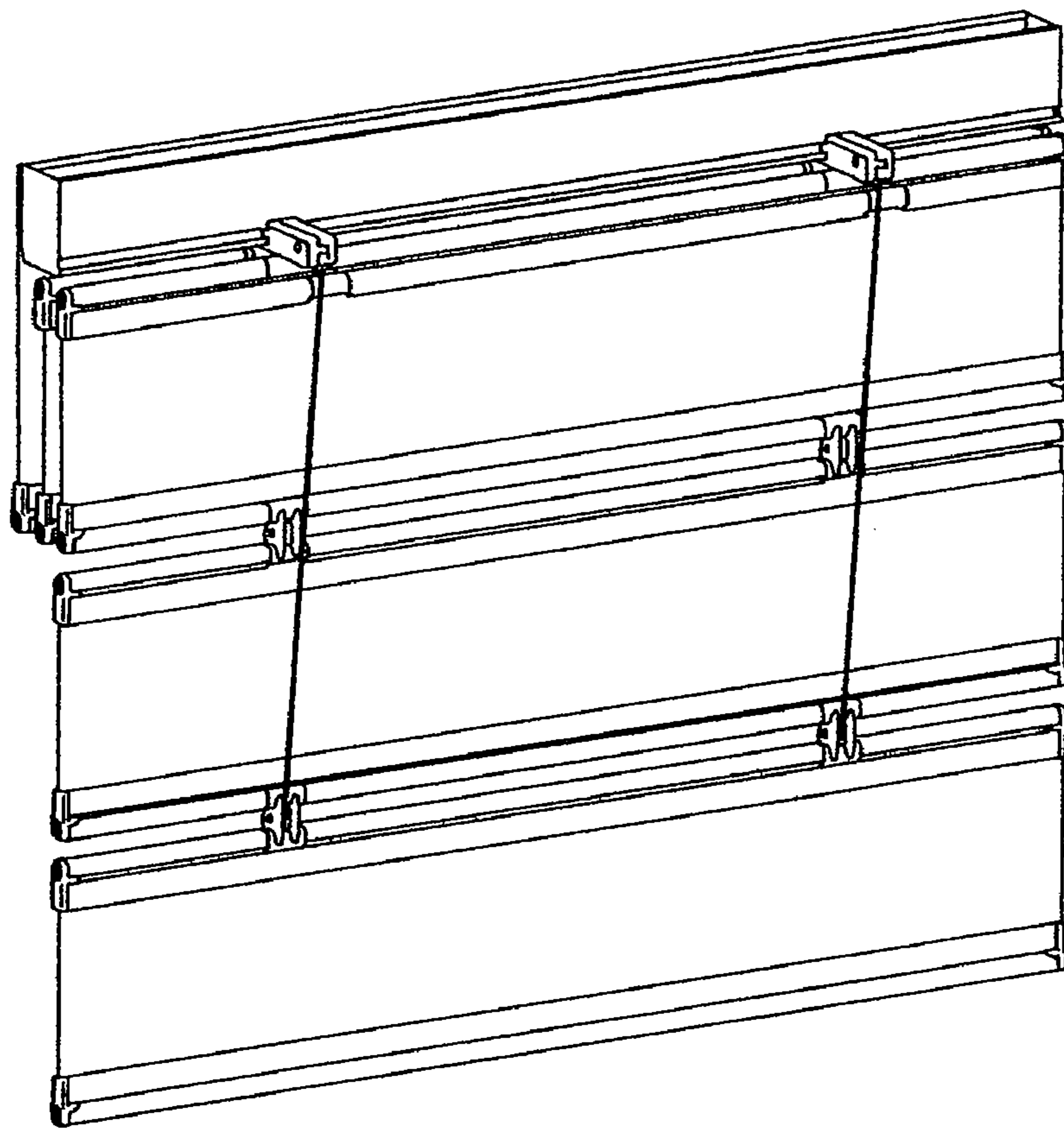


Fig. 5

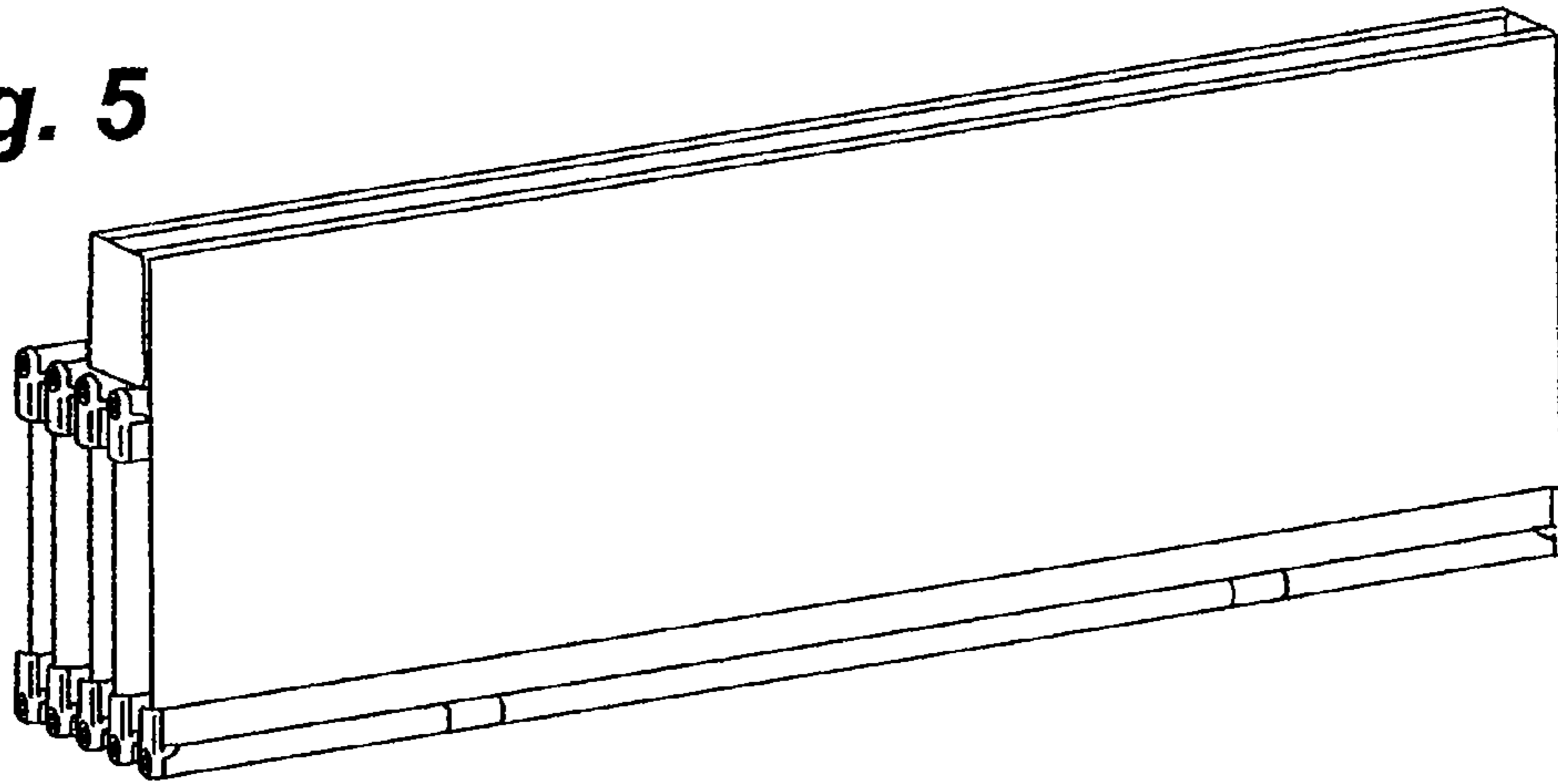


Fig. 6

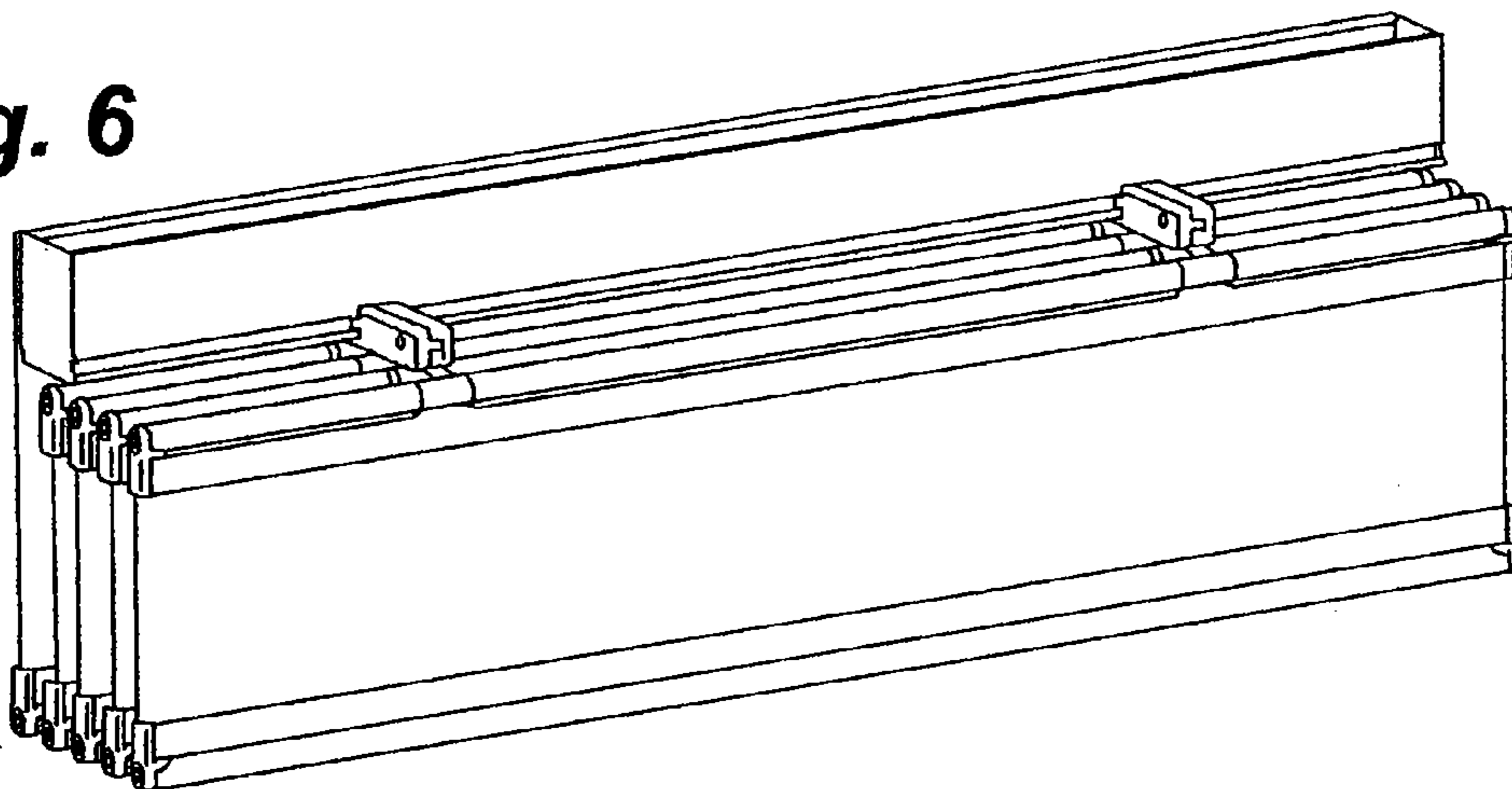


Fig. 7

