



US00D568660S

(12) **United States Design Patent**  
**Hodgson et al.**

(10) **Patent No.:** **US D568,660 S**

(45) **Date of Patent:** **\*\* May 13, 2008**

(54) **WALL MOUNTED DISPENSER BRACKET**

(75) Inventors: **Christopher J. Hodgson**, Doncaster (GB); **Karl Freeman**, Doncaster (GB)

(73) Assignee: **Joseph S. Kanfer**, Richfield

(\*\*) Term: **14 Years**

(21) Appl. No.: **29/291,238**

(22) Filed: **Aug. 21, 2007**

(51) **LOC (8) Cl.** ..... **23-02**

(52) **U.S. Cl.** ..... **D6/545**

(58) **Field of Classification Search** ..... D6/542-545;  
221/208, 282, 283; 222/105, 173, 180, 181.1,  
222/181.2, 181.3

See application file for complete search history.

(56) **References Cited**

**U.S. PATENT DOCUMENTS**

D495,547 S *	9/2004	Reynolds et al. ....	D6/545
D529,321 S *	10/2006	Gould et al. ....	D6/545
D530,124 S *	10/2006	Ophardt et al. ....	D6/545
D533,742 S *	12/2006	Matthews et al. ....	D6/545
D547,988 S *	8/2007	Baker et al. ....	D6/545

\* cited by examiner

*Primary Examiner*—Brian N Vinson

(74) *Attorney, Agent, or Firm*—Renner, Kenner, Greive, Bobak, Taylor & Weber

(57) **CLAIM**

We claim the ornamental design for a wall mounted dispenser bracket, as shown and described.

**DESCRIPTION**

FIG. 1 is a front view of the wall mounted dispenser bracket;

FIG. 2 is a rear view thereof;

FIG. 3 is a right side view thereof;

FIG. 4 is a left side view thereof;

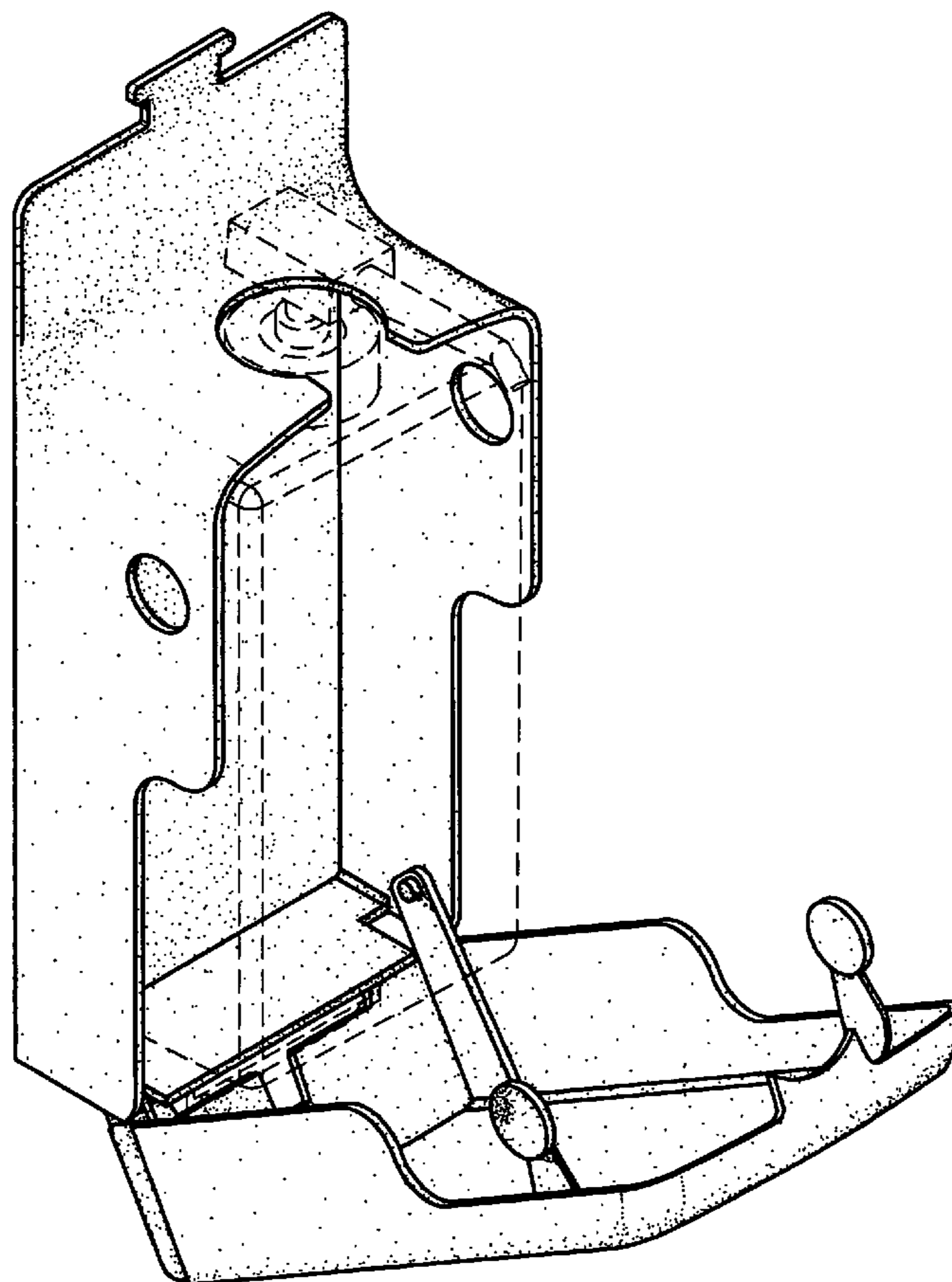
FIG. 5 is a top view thereof;

FIG. 6 is a bottom view thereof; and,

FIG. 7 is a perspective view thereof, showing the wall mounted dispenser bracket opened to receive a dispenser bottle, with the dispenser bottle being shown in dashed lines so as not to form part of the claimed design.

The broken lines shown in the drawings are for the purpose of illustration and form no part of the claimed design.

**1 Claim, 5 Drawing Sheets**



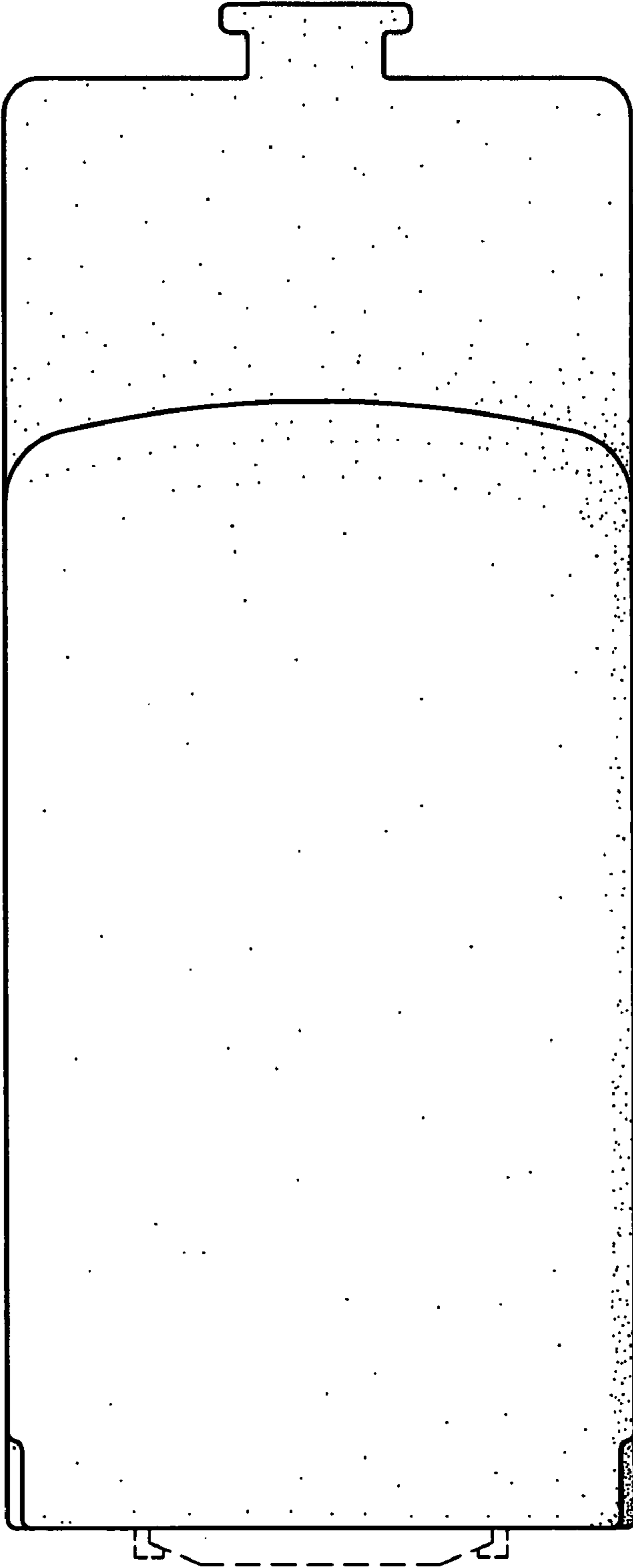


FIG.-1

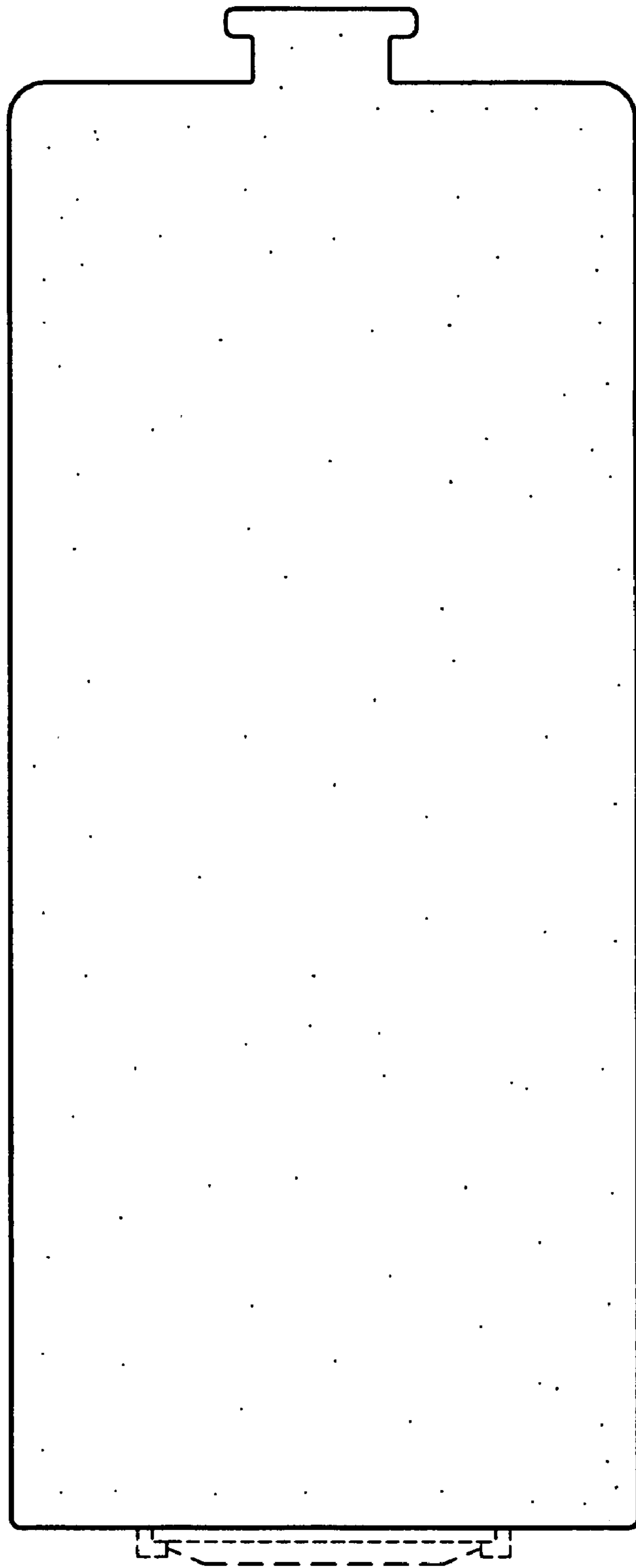


FIG.-2

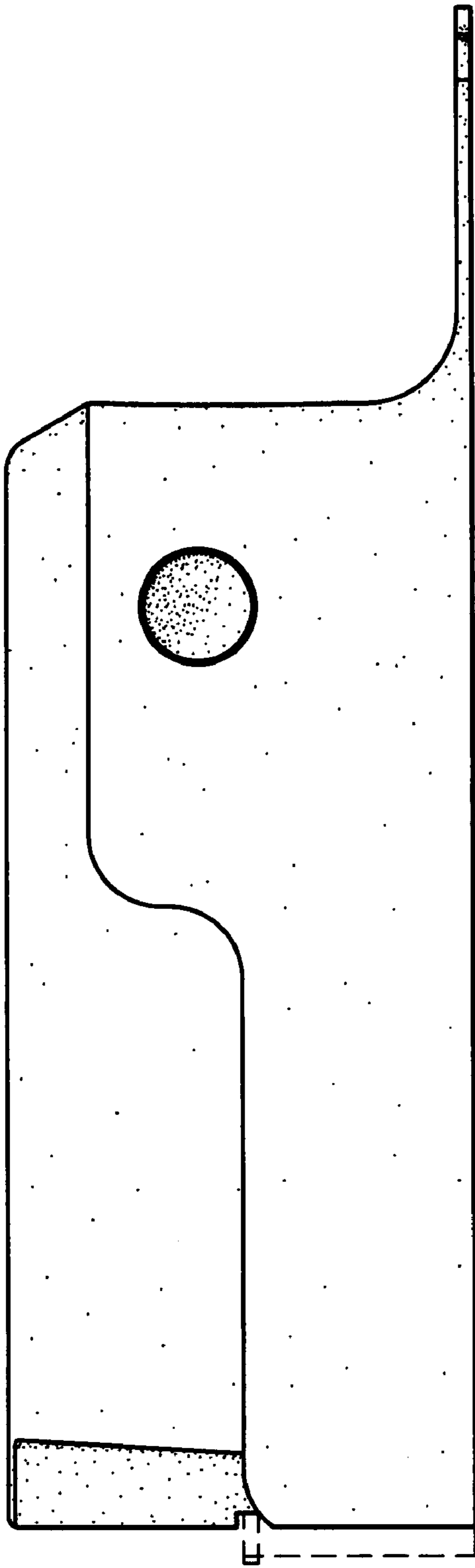


FIG.-3

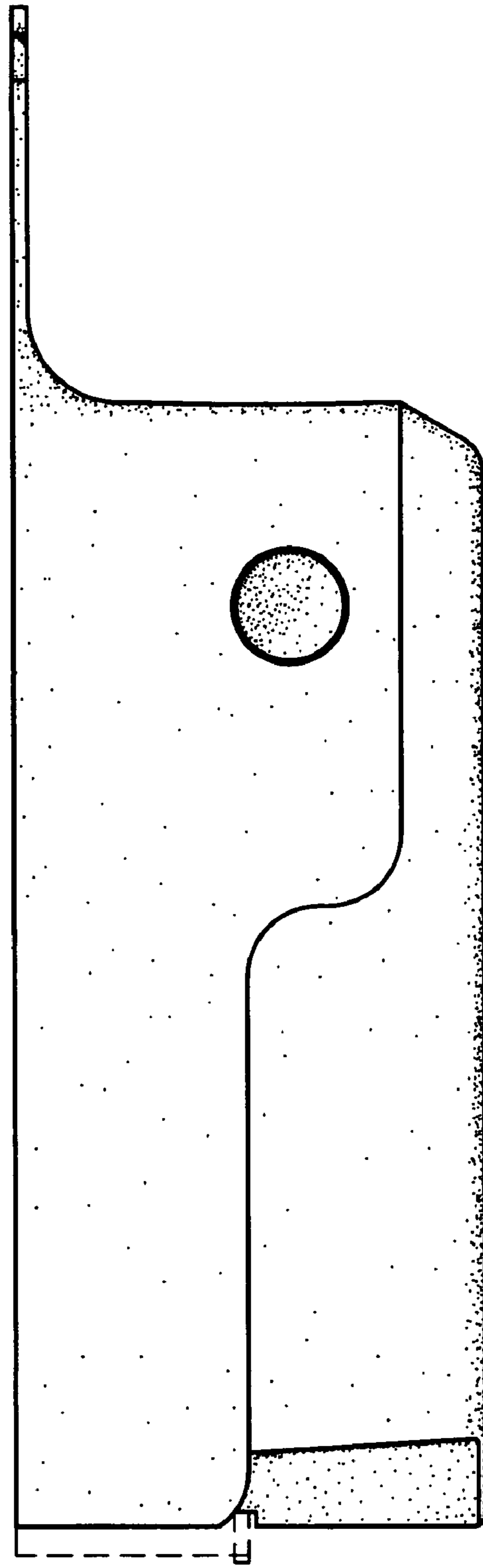


FIG.-4

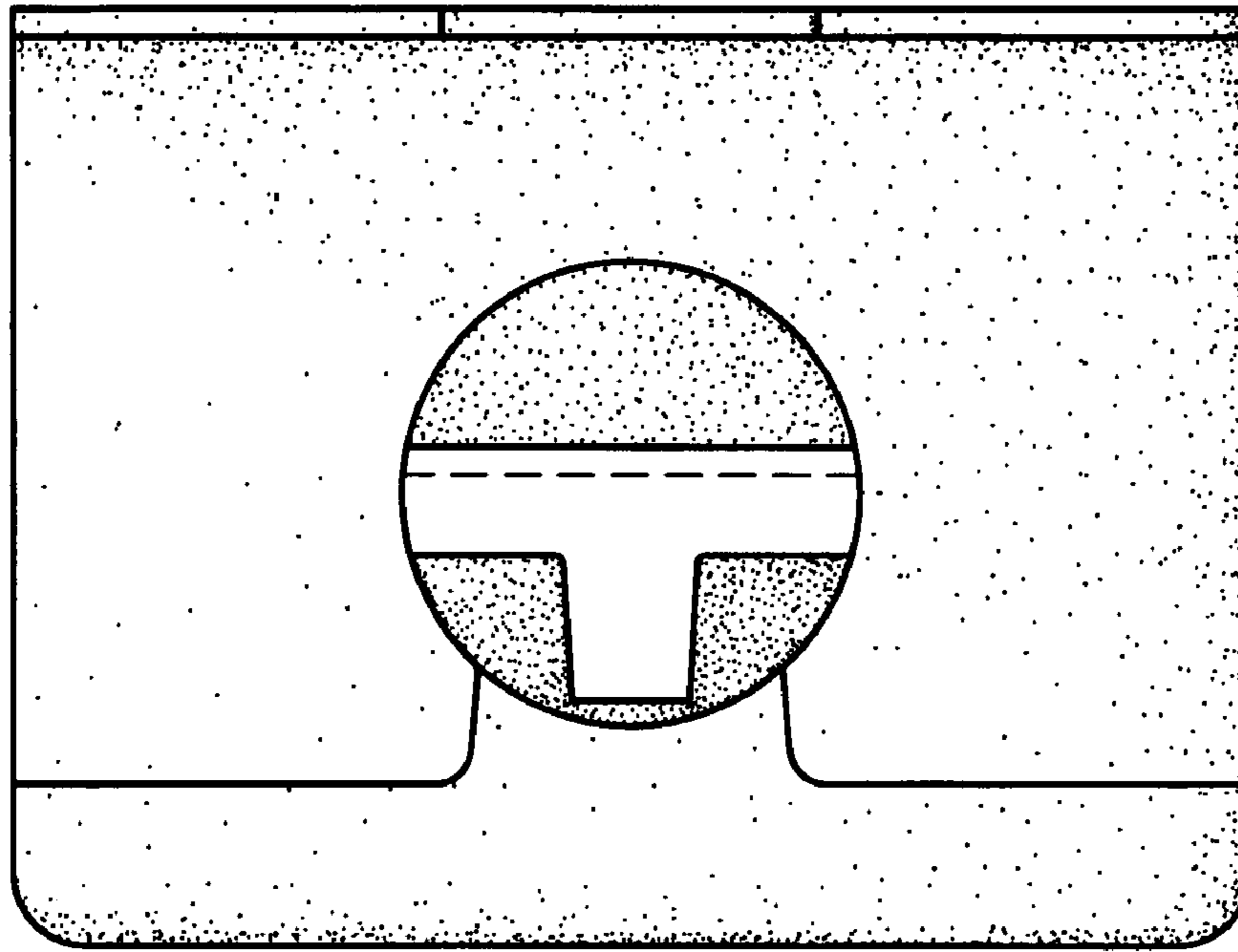


FIG.-5

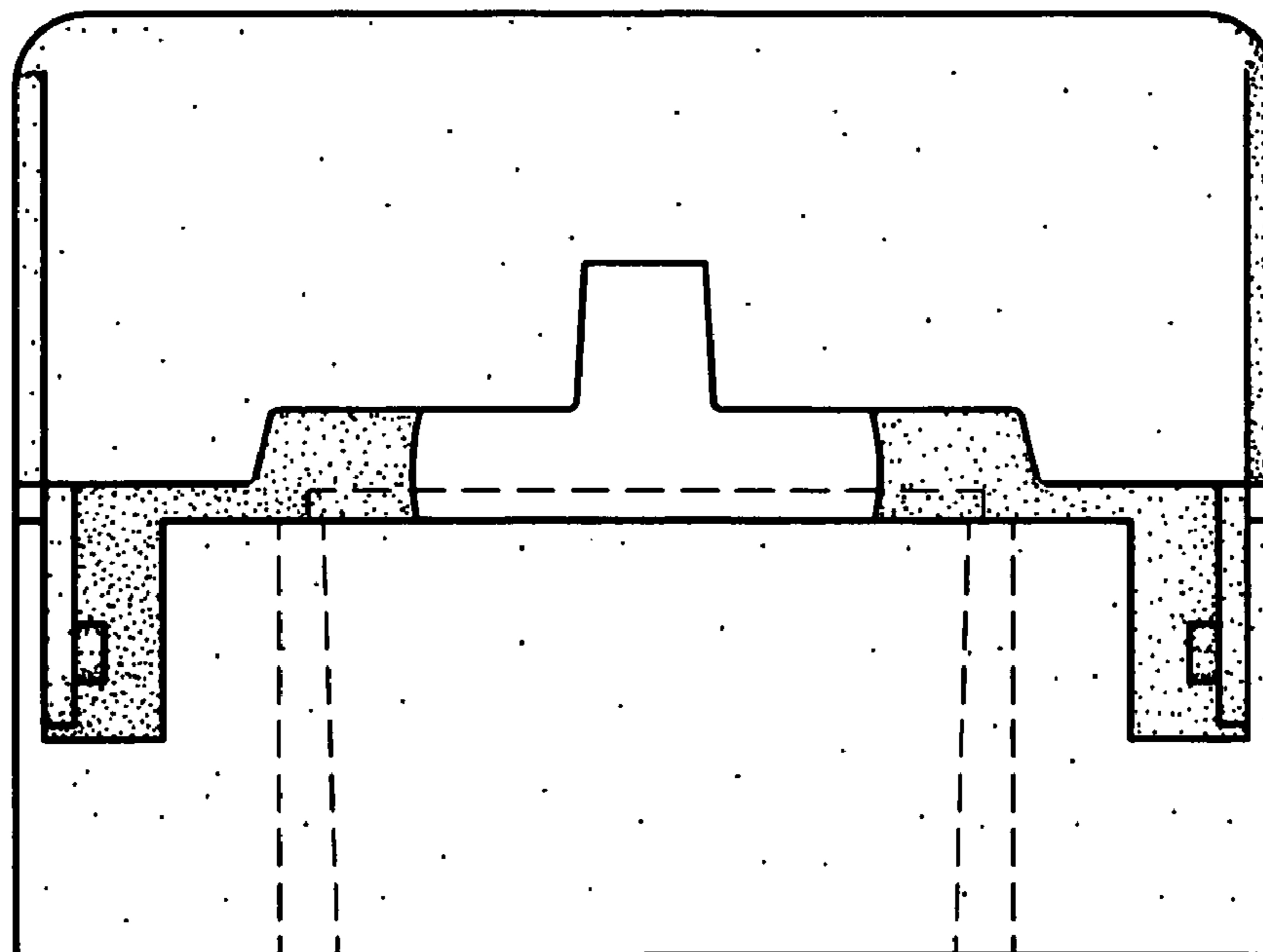


FIG.-6

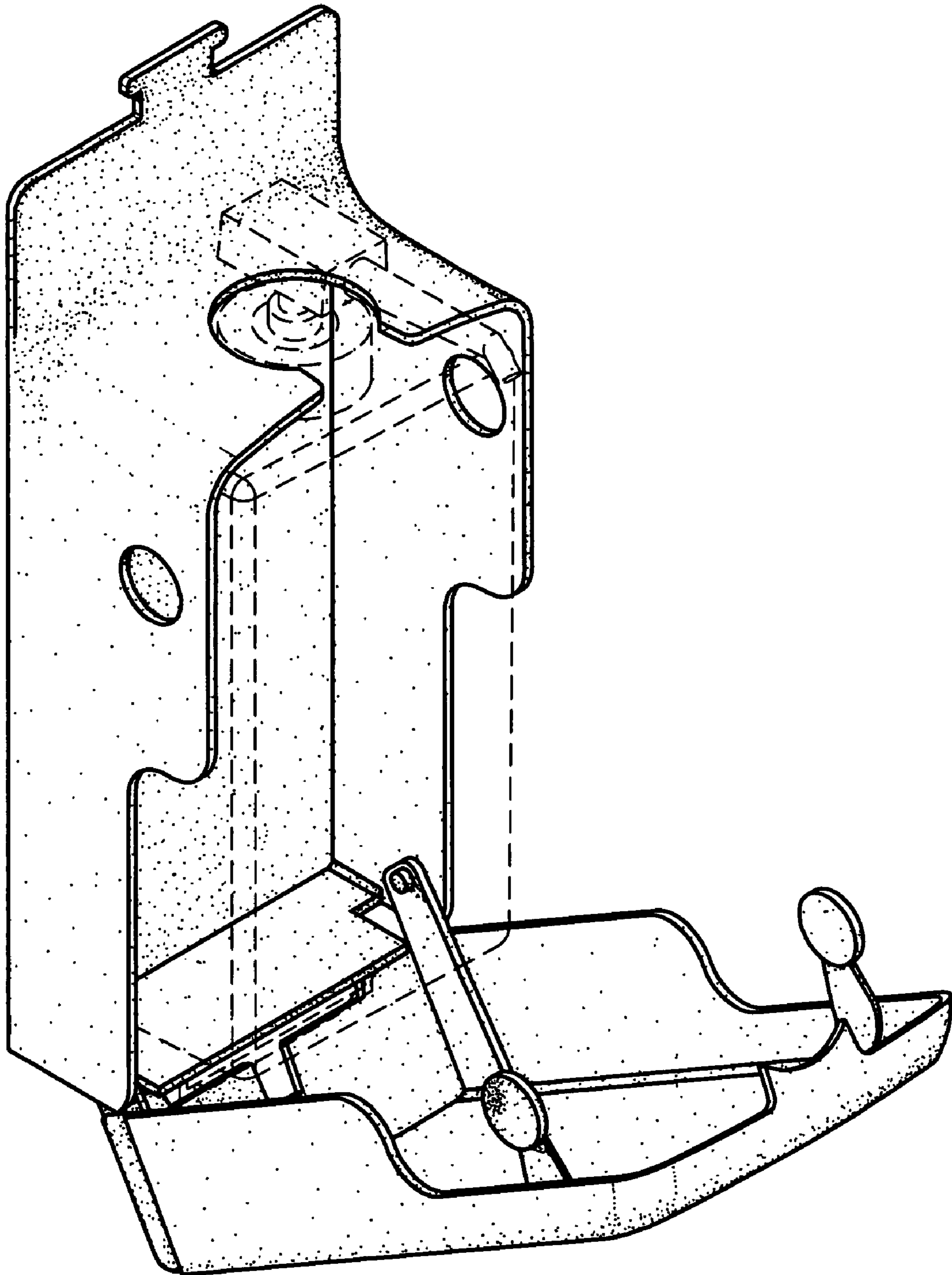


FIG.-7