



US00D568659S

(12) **United States Design Patent**
Ophardt et al.

(10) **Patent No.:** **US D568,659 S**

(45) **Date of Patent:** **** May 13, 2008**

(54) **FLUID DISPENSER**

(75) Inventors: **Heiner Ophardt**, Vineland (CA);
Andrew Jones, Smithdale (CA); **Goran Franjesevic**, Stoney Creek (CA)

(73) Assignee: **GOTOHTL.com Inc.**, Beamsville,
Ontario (CA)

(**) Term: **14 Years**

(21) Appl. No.: **29/289,271**

(22) Filed: **Jul. 16, 2007**

(51) **LOC (8) Cl.** **23-02**

(52) **U.S. Cl.** **D6/545**

(58) **Field of Classification Search** D6/542-545;
221/208, 282, 283; 222/105, 173, 180, 181.1,
222/181.2, 181.3

See application file for complete search history.

(56) **References Cited**

U.S. PATENT DOCUMENTS

D478,445 S * 8/2003 Daansen D6/545
D480,247 S * 10/2003 Ciavarella et al. D6/545
D498,628 S * 11/2004 Rhodenbaugh D6/545
D503,576 S * 4/2005 Reynolds et al. D6/545
D512,863 S 12/2005 Bowes et al.

D530,125 S * 10/2006 Vignot D6/545
D530,126 S * 10/2006 Reynolds et al. D6/545
D552,905 S * 10/2007 Haworth D6/545
D553,407 S * 10/2007 Orgna et al. D6/545
D557,961 S * 12/2007 Haworth D6/545

* cited by examiner

Primary Examiner—Brian N Vinson

(74) *Attorney, Agent, or Firm*—Riches, McKenzie &
Herbert LLP

(57) **CLAIM**

The ornamental design for a fluid dispenser, as shown and described.

DESCRIPTION

FIG. 1 is a perspective view of a fluid dispenser showing our new design;

FIG. 2 is a front view of the dispenser in FIG. 1;

FIG. 3 is a left side view of the dispenser in FIG. 1, the right side being a mirror image;

FIG. 4 is a top view of the dispenser of FIG. 1;

FIG. 5 is a bottom view of the dispenser of FIG. 1; and,

FIG. 6 is a back view of the dispenser of FIG. 1.

1 Claim, 5 Drawing Sheets

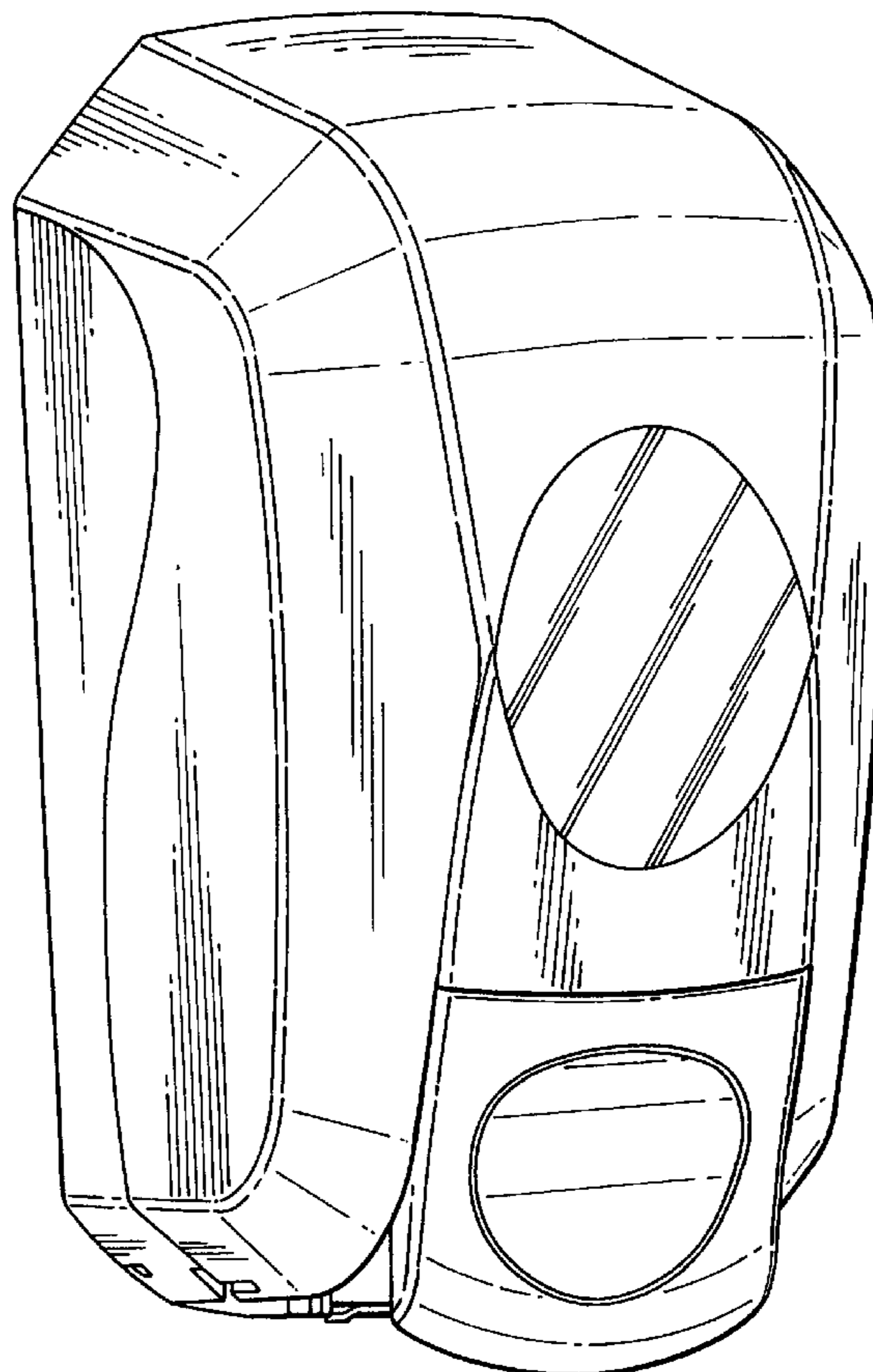


FIG. 1.

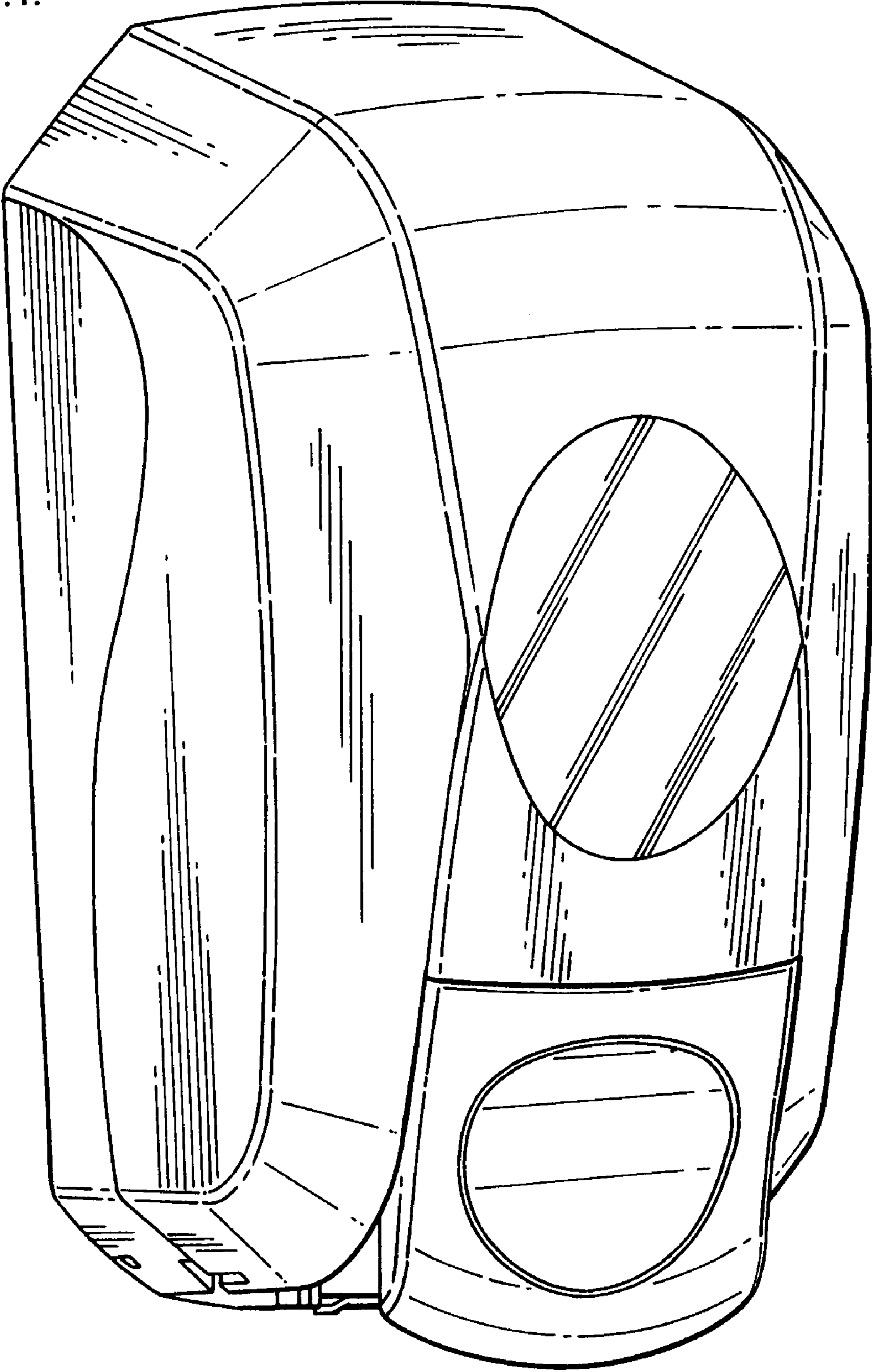


FIG. 2.

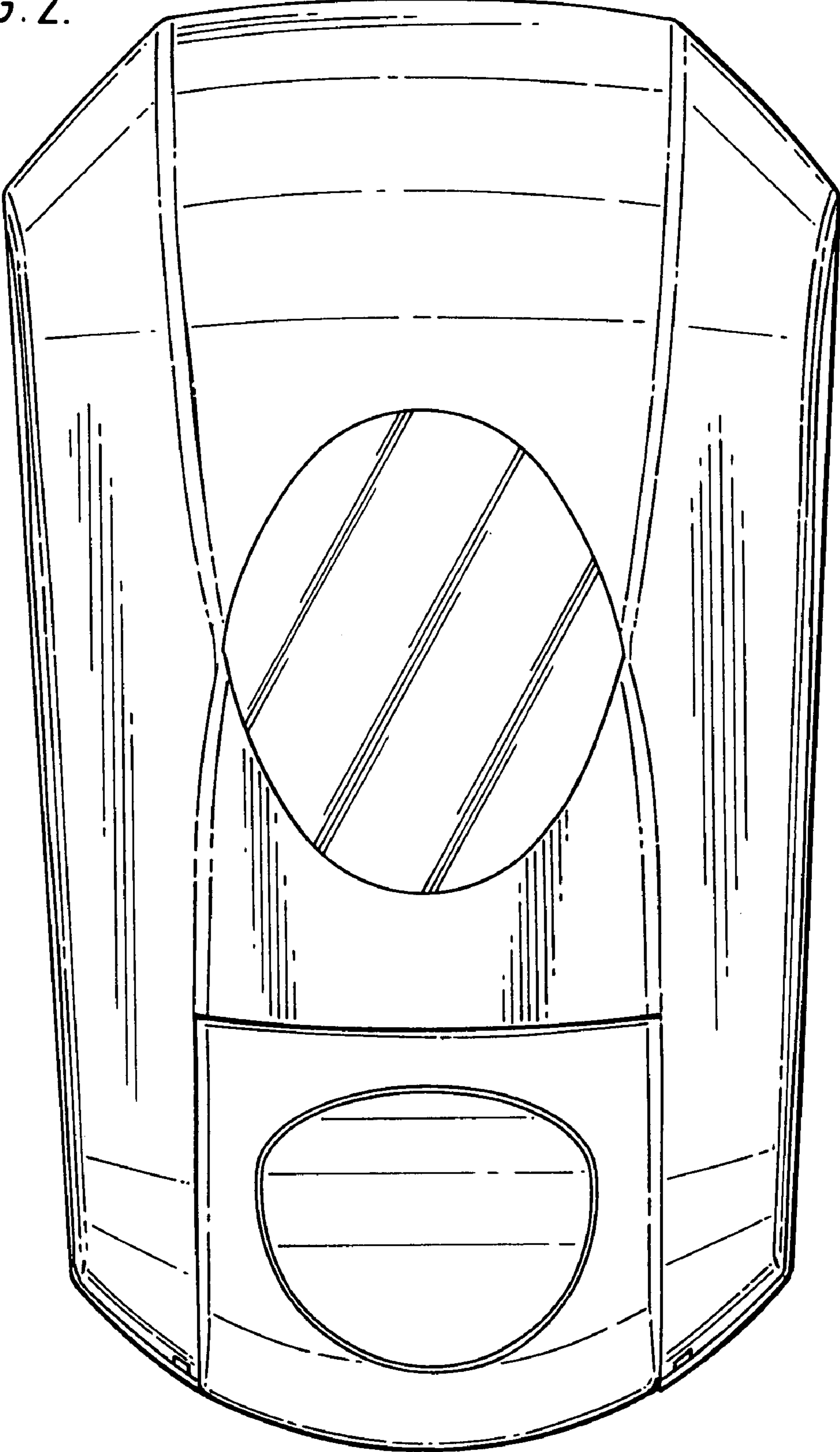
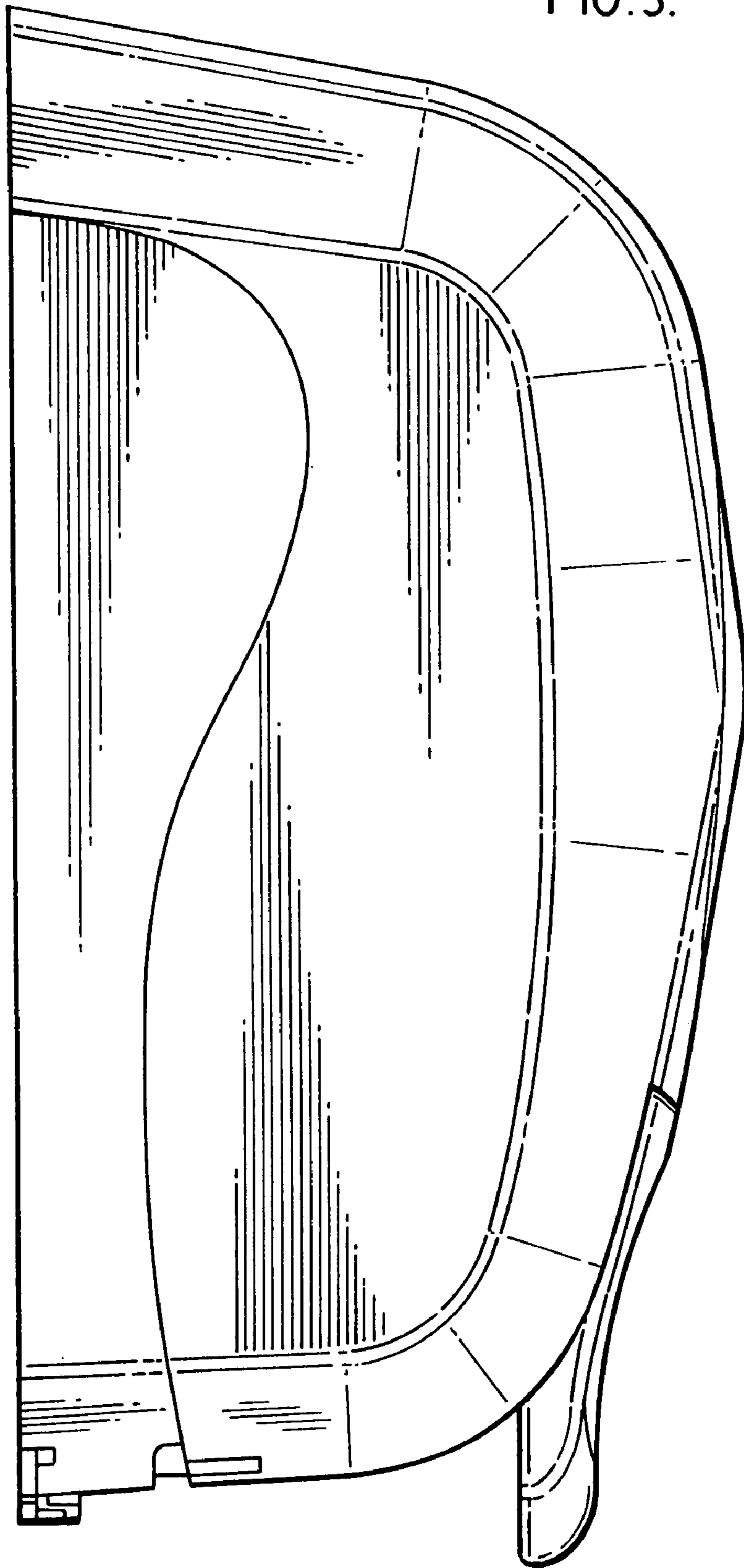


FIG. 3.



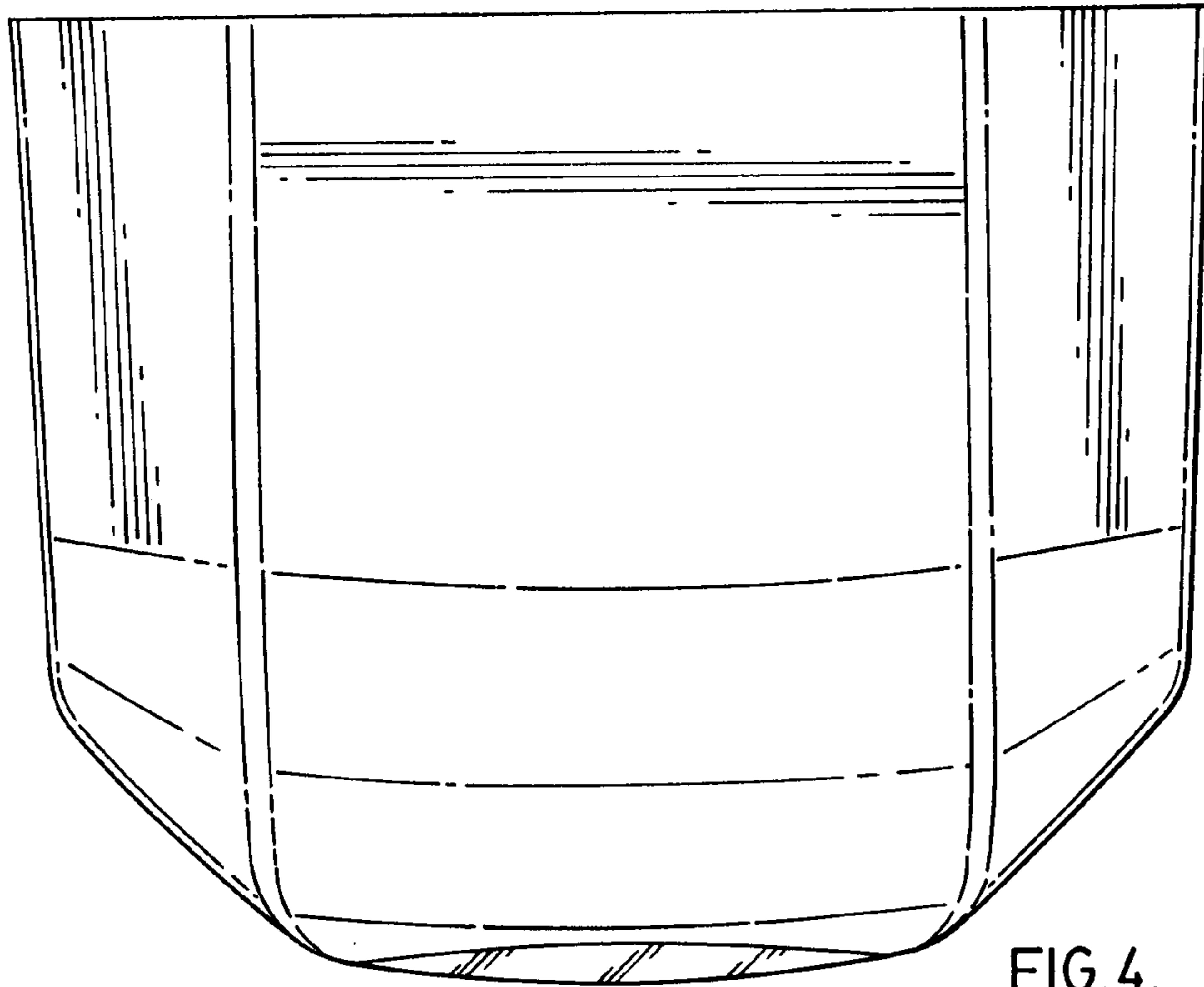


FIG. 4.

FIG. 5.

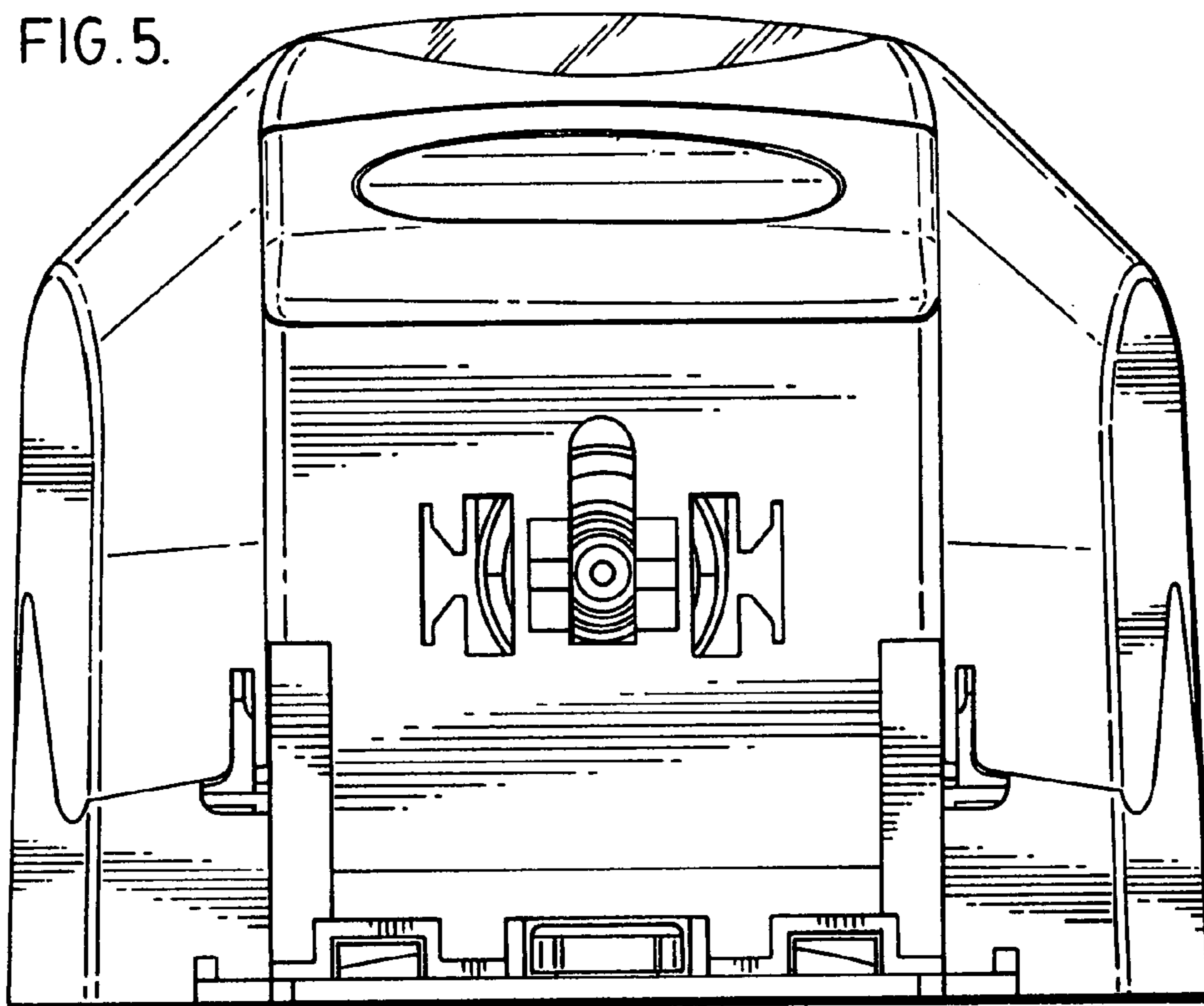


FIG. 6.

