

US00D568658S

(12) **United States Design Patent**
Yang et al.

(10) **Patent No.:** **US D568,658 S**

(45) **Date of Patent:** **** May 13, 2008**

(54) **SHOWER CADDY**

D530,551 S * 10/2006 Snell D6/525
D557,050 S * 12/2007 Dretzka D6/525

(75) Inventors: **Frank Yang**, Rancho Palos Verdes, CA (US); **Tzu-Hao Wei**, Hacienda Heights, CA (US); **Di-Fong Chang**, Torrance, CA (US); **William Hsu**, Diamond Bar, CA (US)

* cited by examiner

Primary Examiner—Brian N Vinson
(74) *Attorney, Agent, or Firm*—Liu & Liu

(73) Assignee: **Simplehuman LLC**, Torrance, CA (US)

(57) **CLAIM**

(**) Term: **14 Years**

The ornamental design for the shower caddy, as shown and described.

(21) Appl. No.: **29/292,217**

DESCRIPTION

(22) Filed: **Oct. 2, 2007**

(51) **LOC (8) Cl.** **23-02**

FIG. 1 is a right perspective view of a shower caddy showing our new design;

(52) **U.S. Cl.** **D6/525**

FIG. 2 is a front view thereof;

(58) **Field of Classification Search** D6/524,
D6/525, 566, 536, 540; 211/13.1, 74, 71.01,
211/86.01, 75, 88.01, 90.01, 90.03, 106, 119,
211/126.1, 133.5, 181.1, 134

FIG. 3 is a left side view thereof;

FIG. 4 is a rear view thereof;

FIG. 5 is a right side view thereof;

See application file for complete search history.

FIG. 6 is a top plan view thereof;

FIG. 7 is a bottom plan view thereof; and,

FIG. 8 is a top plan view of dish at bottom.

(56) **References Cited**

U.S. PATENT DOCUMENTS

D496,549 S * 9/2004 Snell D6/525

1 Claim, 7 Drawing Sheets

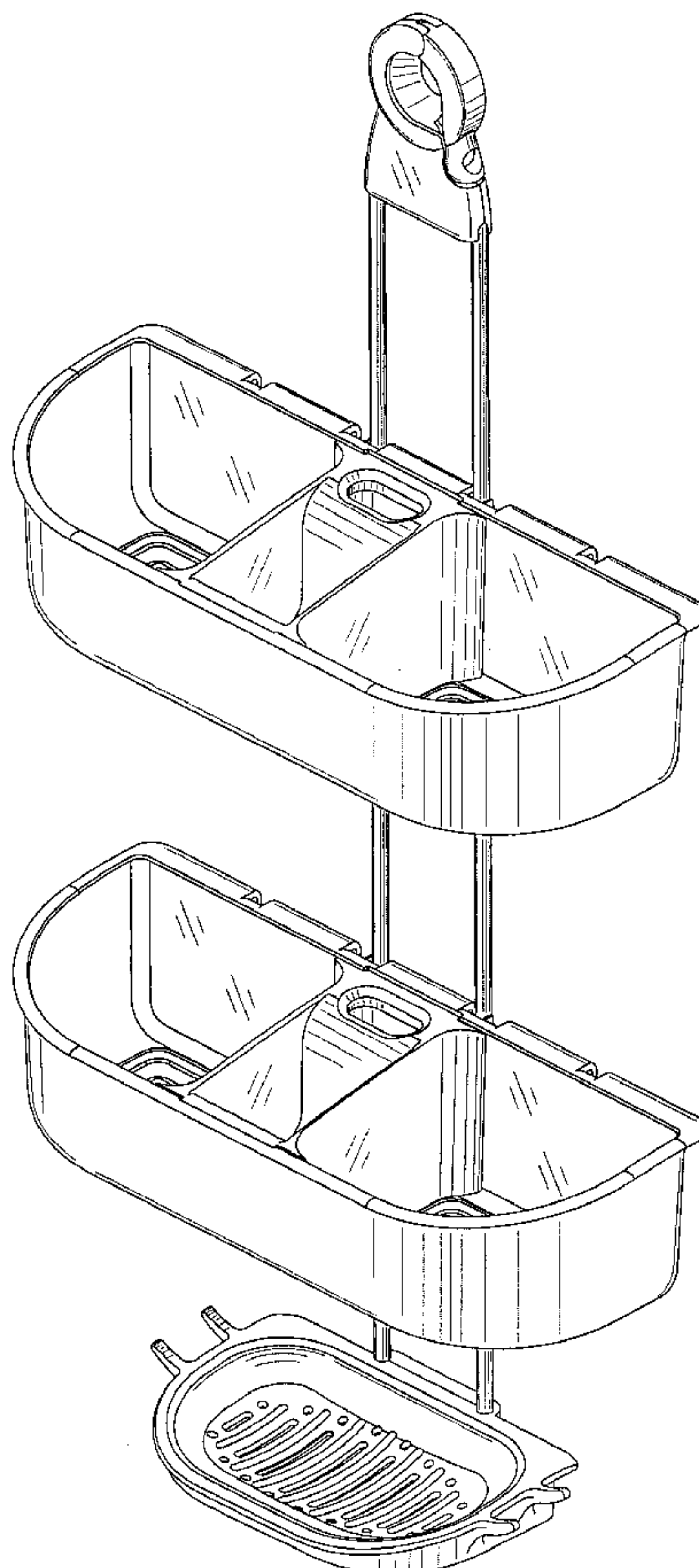


FIG. 1

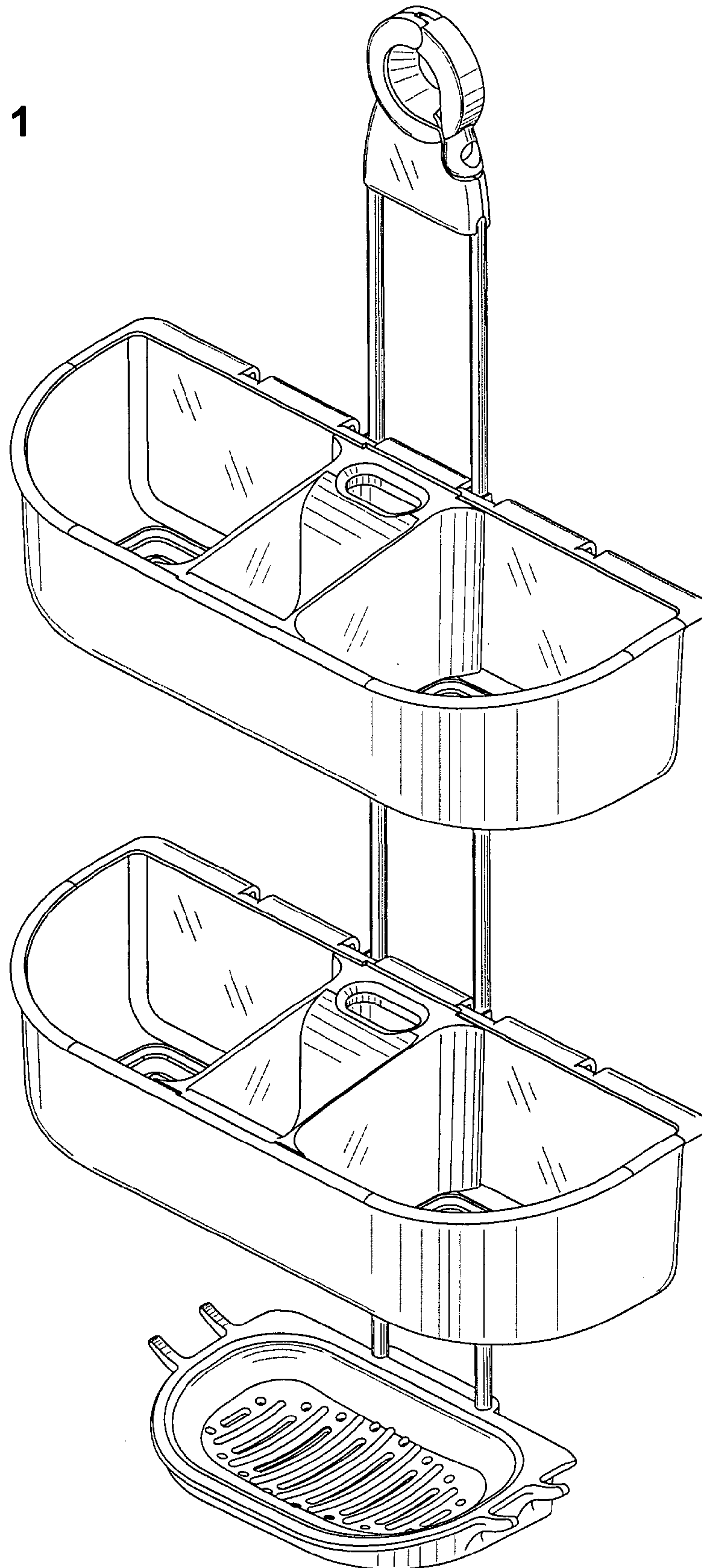


FIG. 2

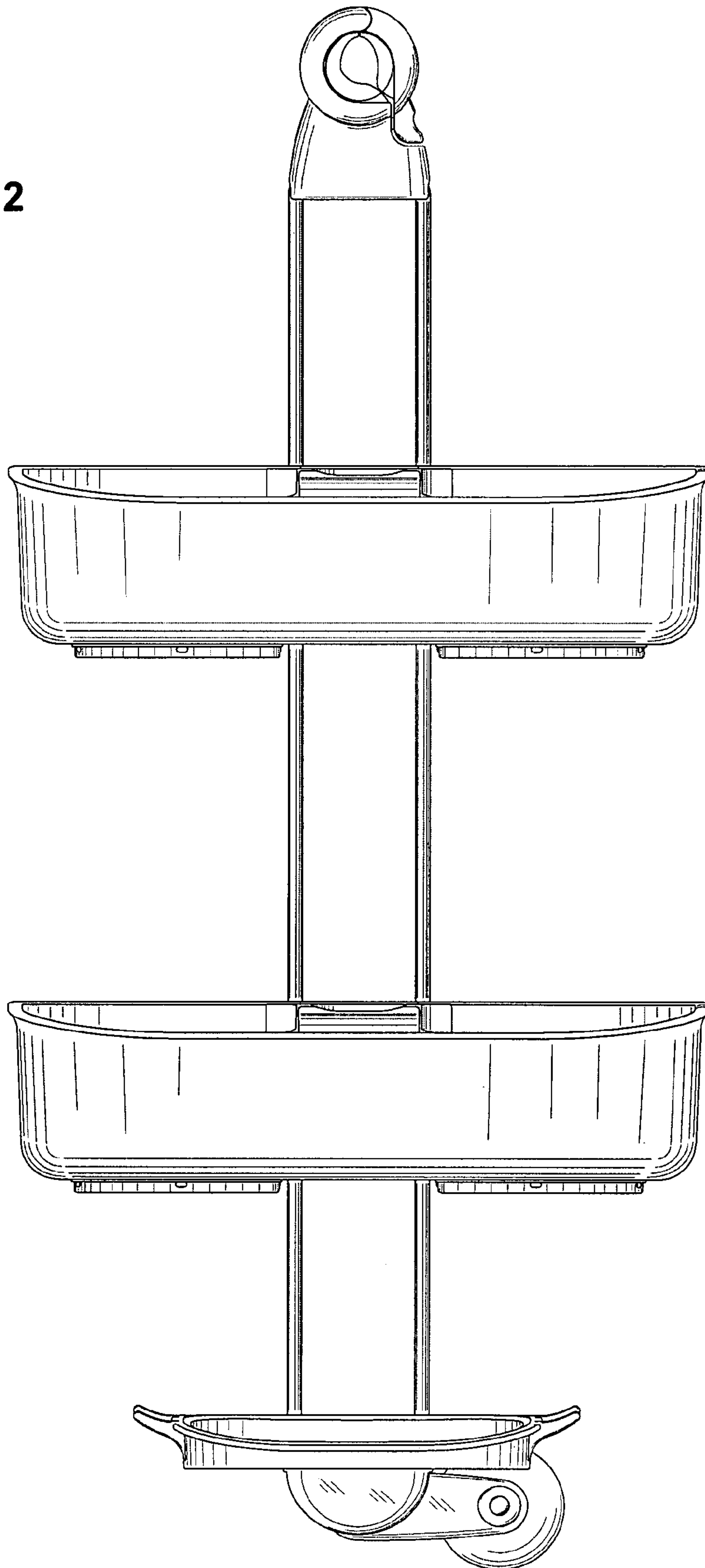


FIG. 3

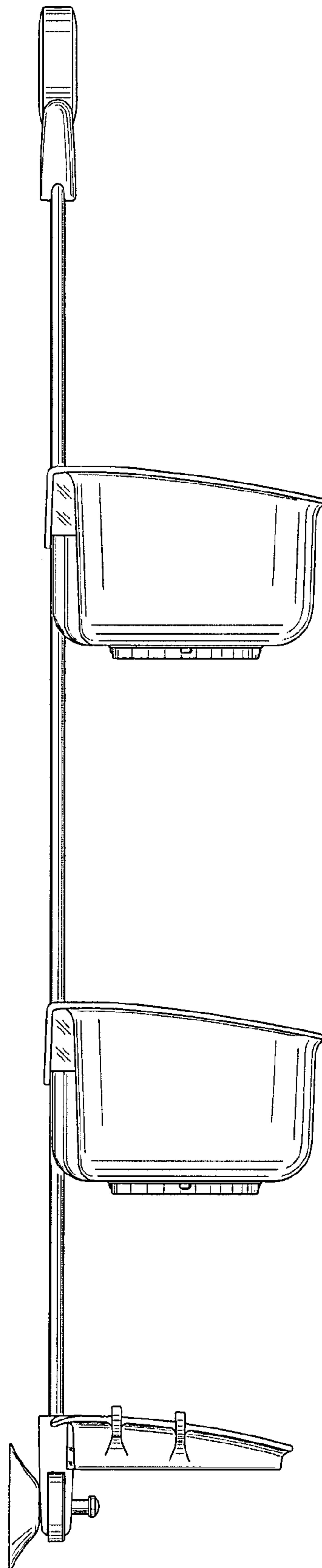


FIG. 4

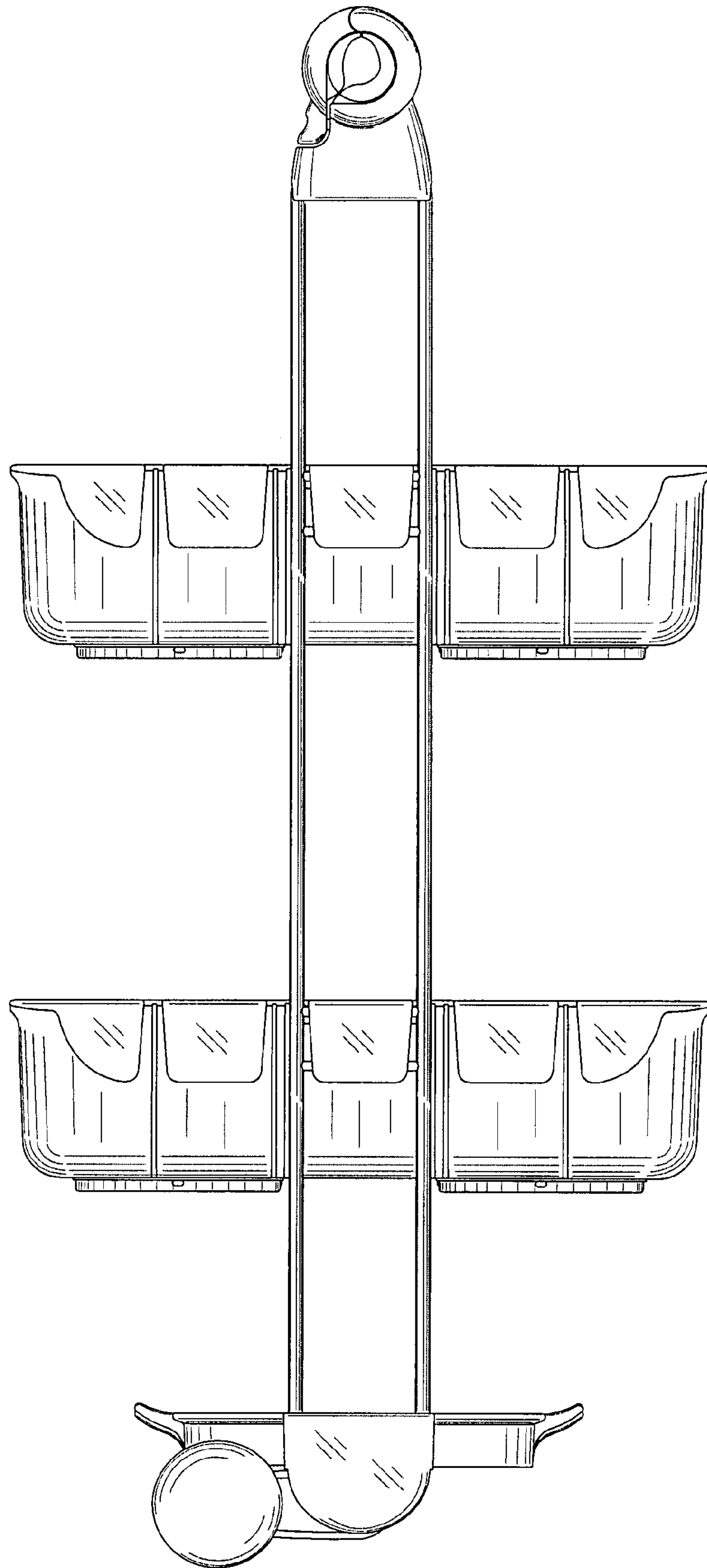


FIG. 5

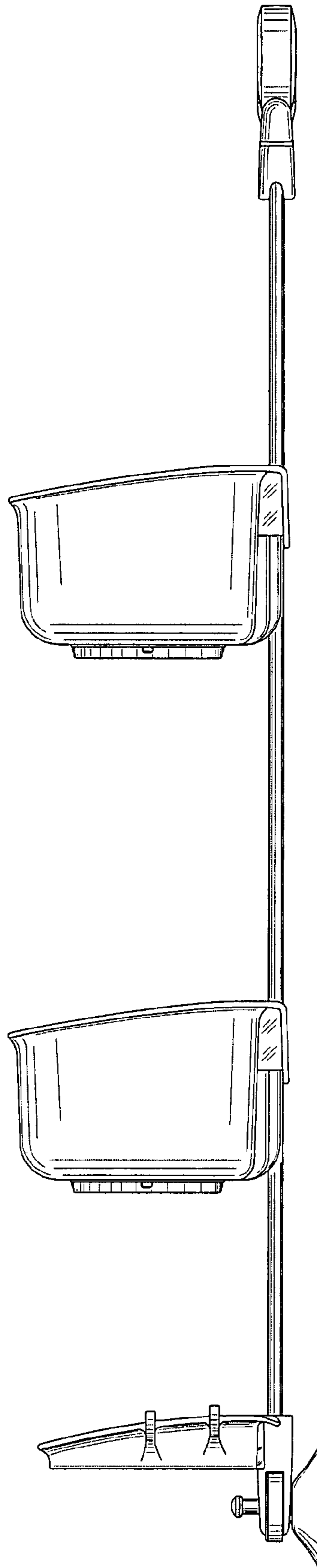


FIG. 6

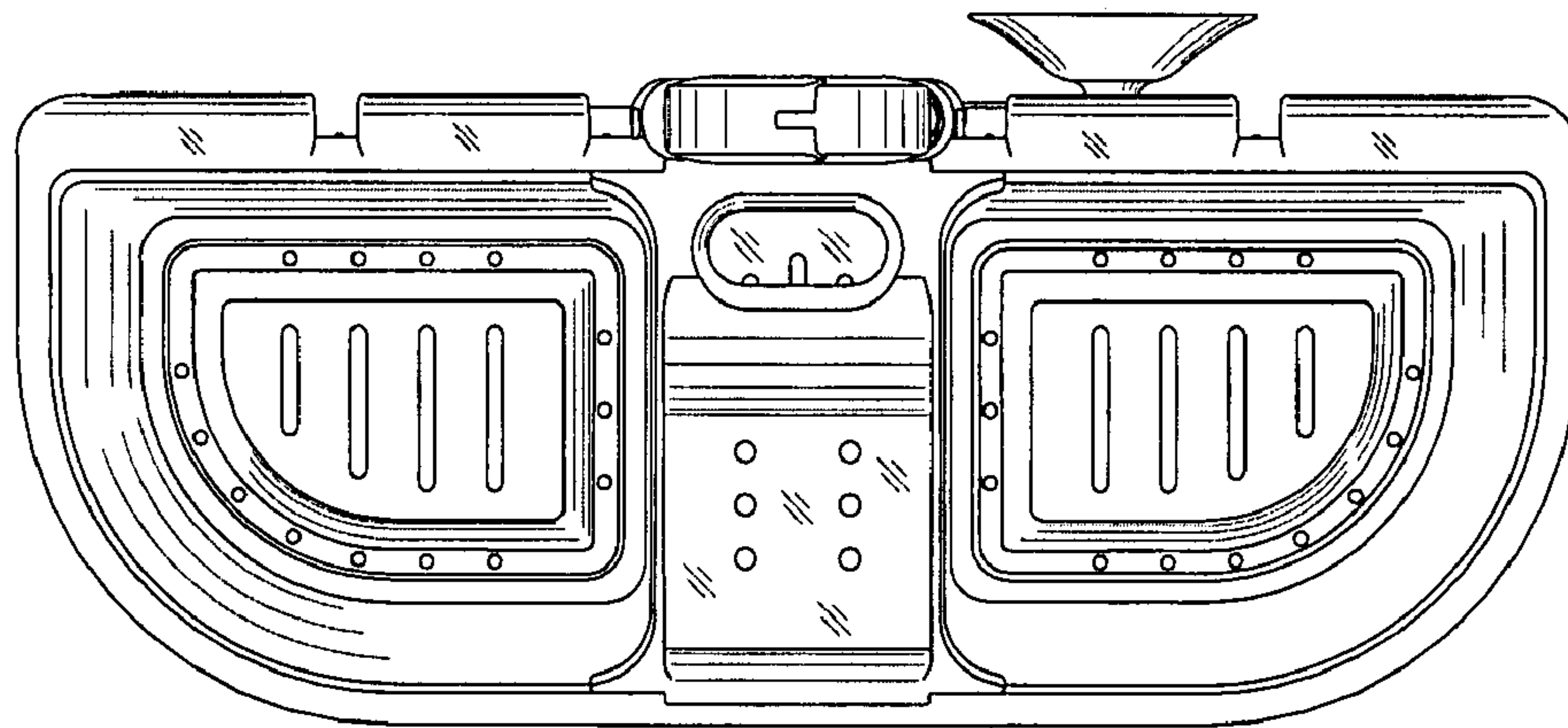


FIG. 7

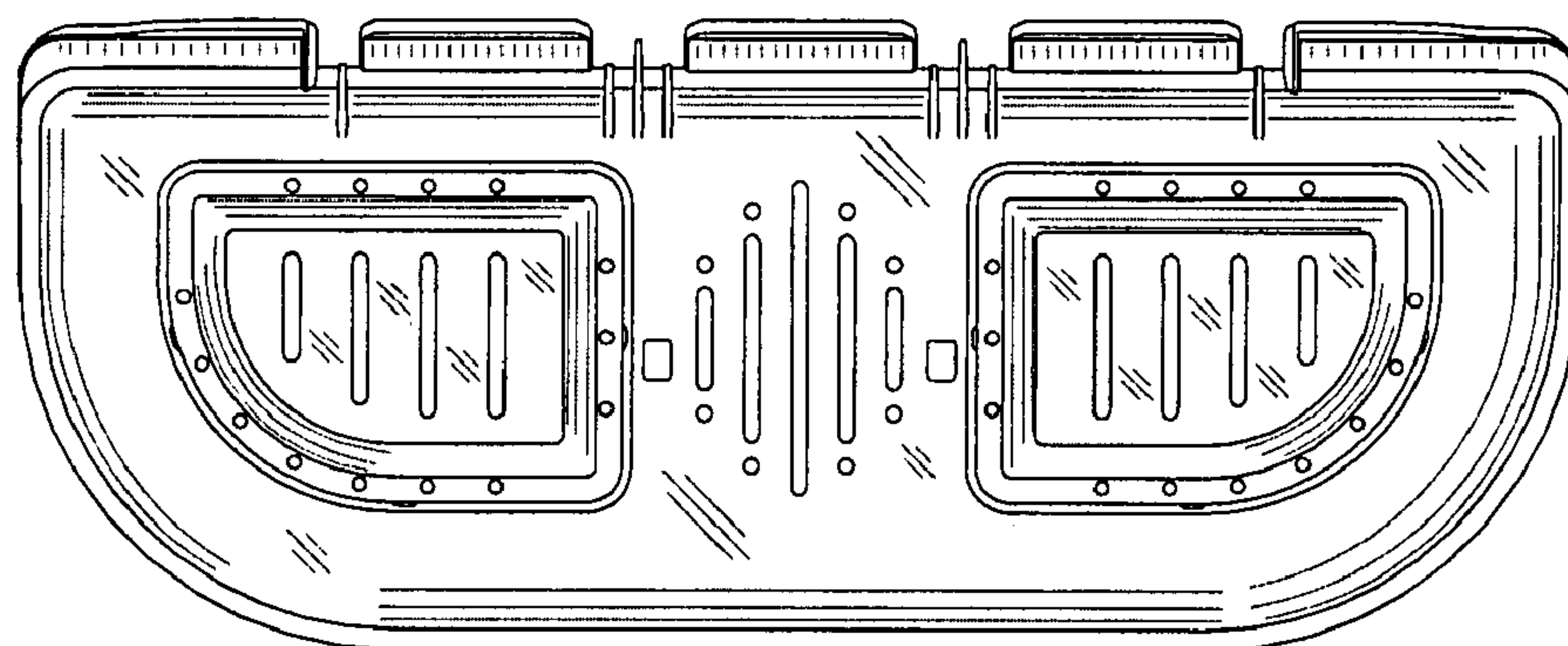


FIG. 8

