



US00D568657S

(12) **United States Design Patent**  
**Snider**

(10) **Patent No.:** **US D568,657 S**

(45) **Date of Patent:** **\*\* May 13, 2008**

(54) **SHOWER CADDY WITH EXPANDABLE SHELVES**

(75) Inventor: **Martin Snider**, New City, NY (US)

(73) Assignee: **MSA Products, Inc.**, Nyack, NY (US)

(\*\*) Term: **14 Years**

(21) Appl. No.: **29/292,179**

(22) Filed: **Oct. 1, 2007**

(51) **LOC (8) Cl.** ..... **23-02**

(52) **U.S. Cl.** ..... **D6/525**

(58) **Field of Classification Search** ..... D6/524,  
D6/525, 566, 536, 540; 211/13.1, 74, 71.01,  
211/86.01, 75, 88.01, 90.01, 90.03, 106, 119,  
211/126.1, 133.5, 181.1, 134  
See application file for complete search history.

(56) **References Cited**

**U.S. PATENT DOCUMENTS**

D351,750 S	10/1994	Sweeney	
D396,157 S	7/1998	Hofman	
D446,670 S	8/2001	Emery et al.	
6,520,351 B1	2/2003	Zadro	
D473,084 S	4/2003	Suero, Jr.	
D473,411 S	4/2003	Walker	
D477,947 S	8/2003	Snell	
D479,074 S	9/2003	Snell	
D489,207 S	5/2004	Rosen	
D496,549 S *	9/2004	Snell	..... D6/525

D498,102 S	11/2004	Snell	
D512,861 S	12/2005	Rosen	
D530,551 S *	10/2006	Snell	..... D6/525
D530,948 S	10/2006	Snell	
D557,050 S *	12/2007	Dretzka	..... D6/525

\* cited by examiner

*Primary Examiner*—Brian N Vinson

(74) *Attorney, Agent, or Firm*—Gerald E. Hespos; Anthony J. Casella

(57) **CLAIM**

The ornamental design for a shower caddy with expandable shelves, as shown and described.

**DESCRIPTION**

FIG. 1 is a perspective view of a shower caddy with expandable shelves in accordance with my design;

FIG. 2 is a top plan view of the shower caddy with expandable shelves shown in FIG. 1;

FIG. 3 is a front elevational view thereof;

FIG. 4 is a right side elevational view thereof;

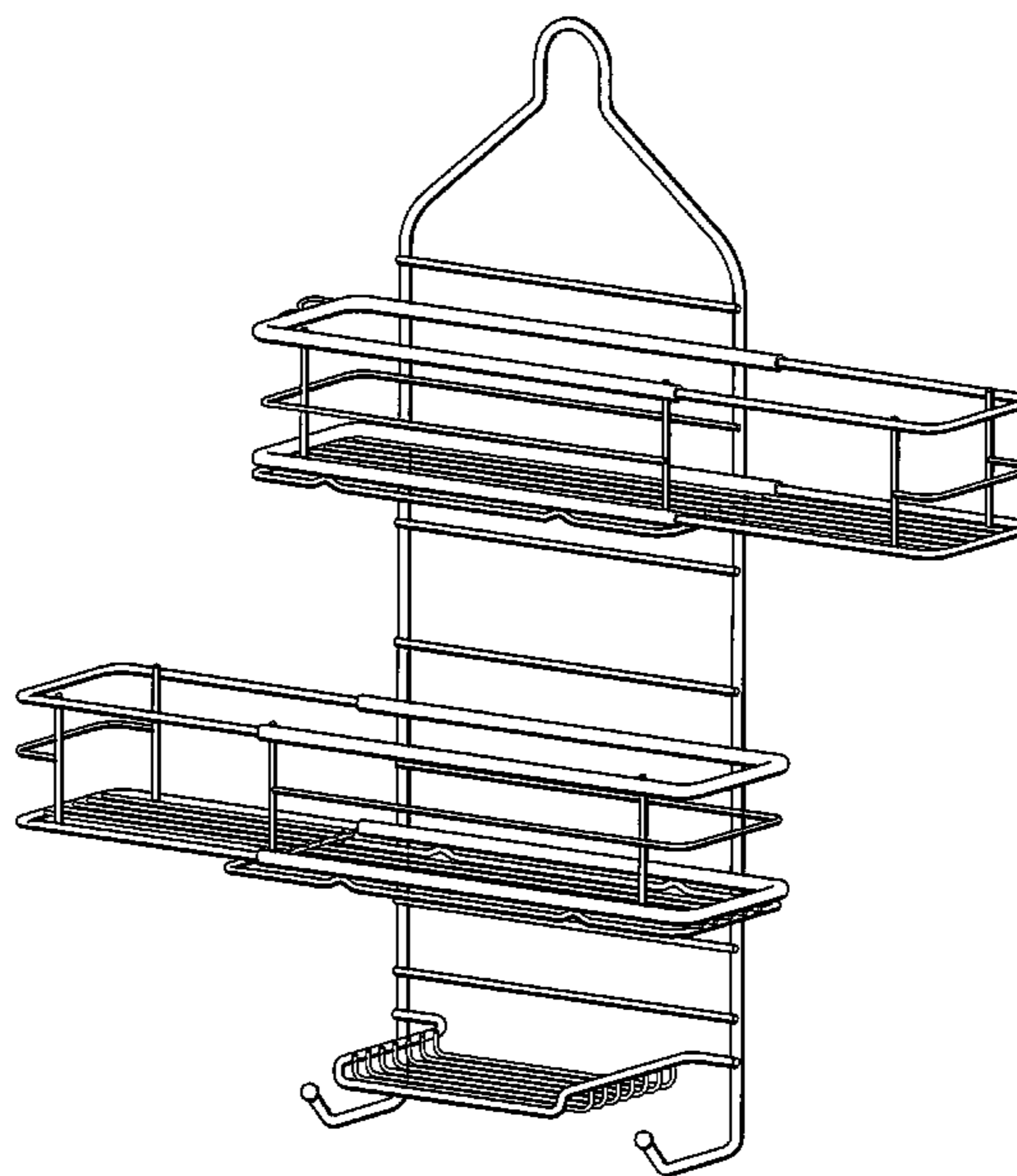
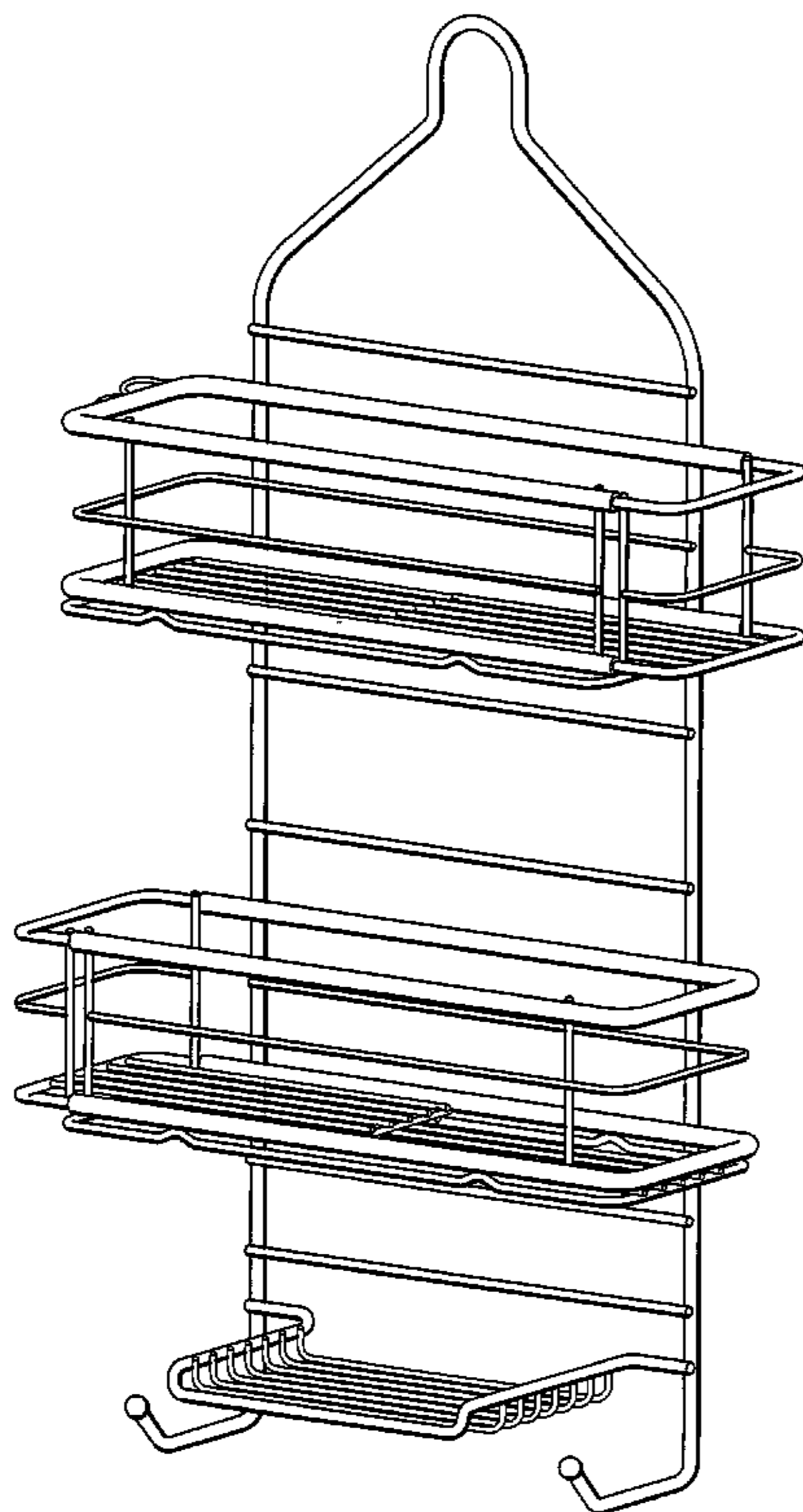
FIG. 5 is a left side elevational thereof;

FIG. 6 is a rear elevational view thereof;

FIG. 7 is a bottom plan view thereof; and,

FIG. 8 is a perspective view similar to FIG. 1, but showing the shelves in an expanded condition.

**1 Claim, 6 Drawing Sheets**



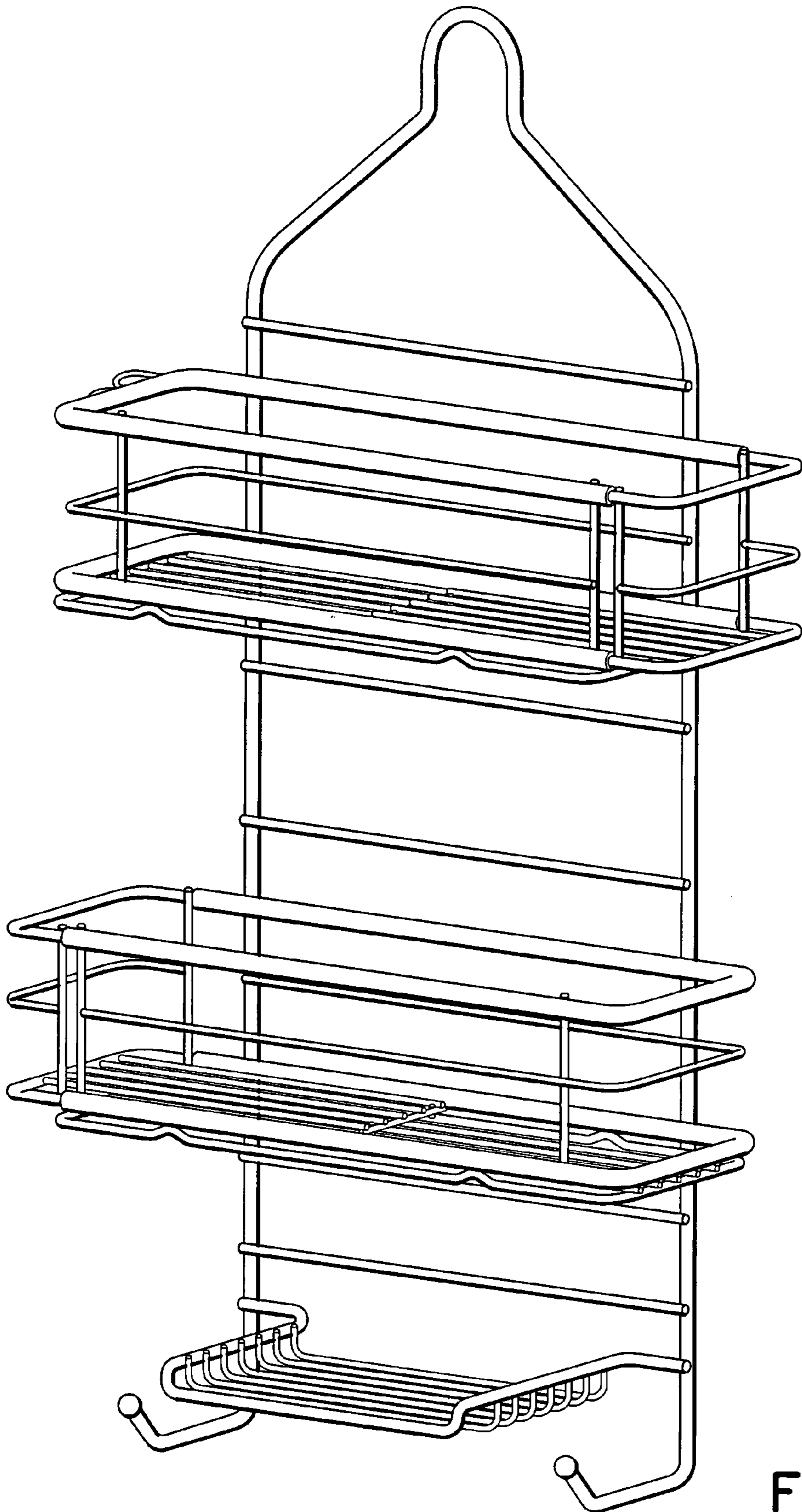


FIG. 1

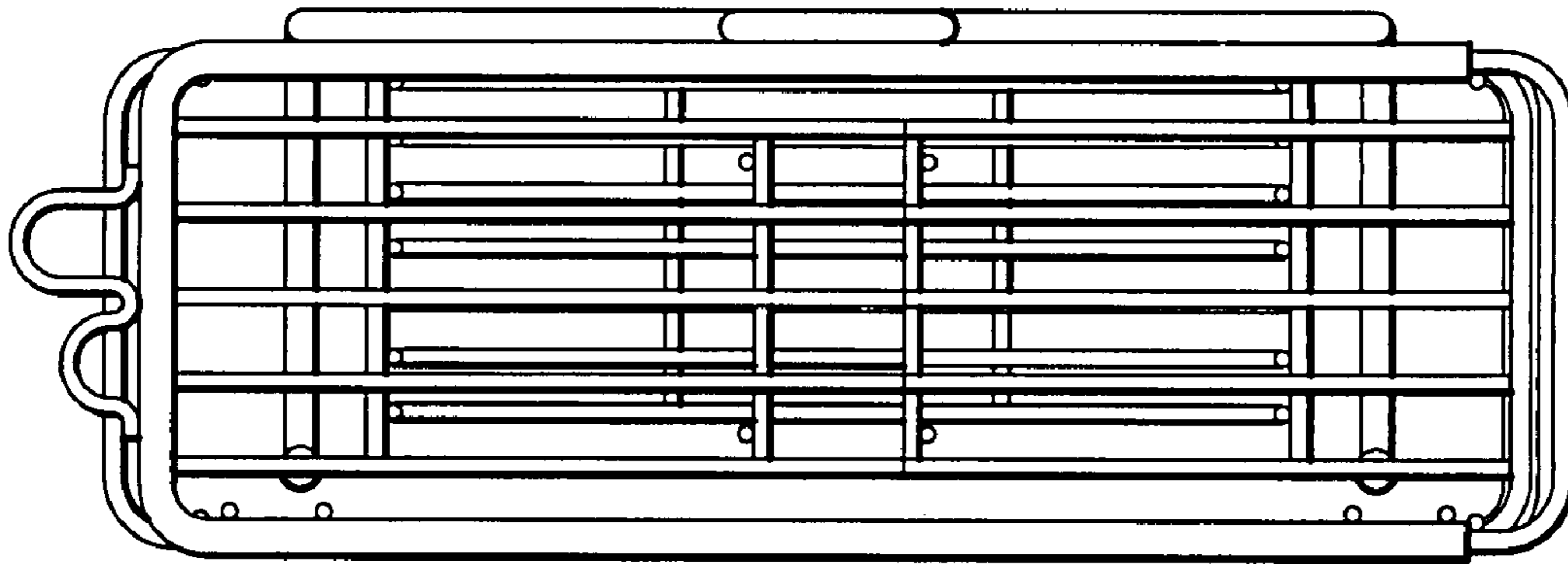


FIG. 2

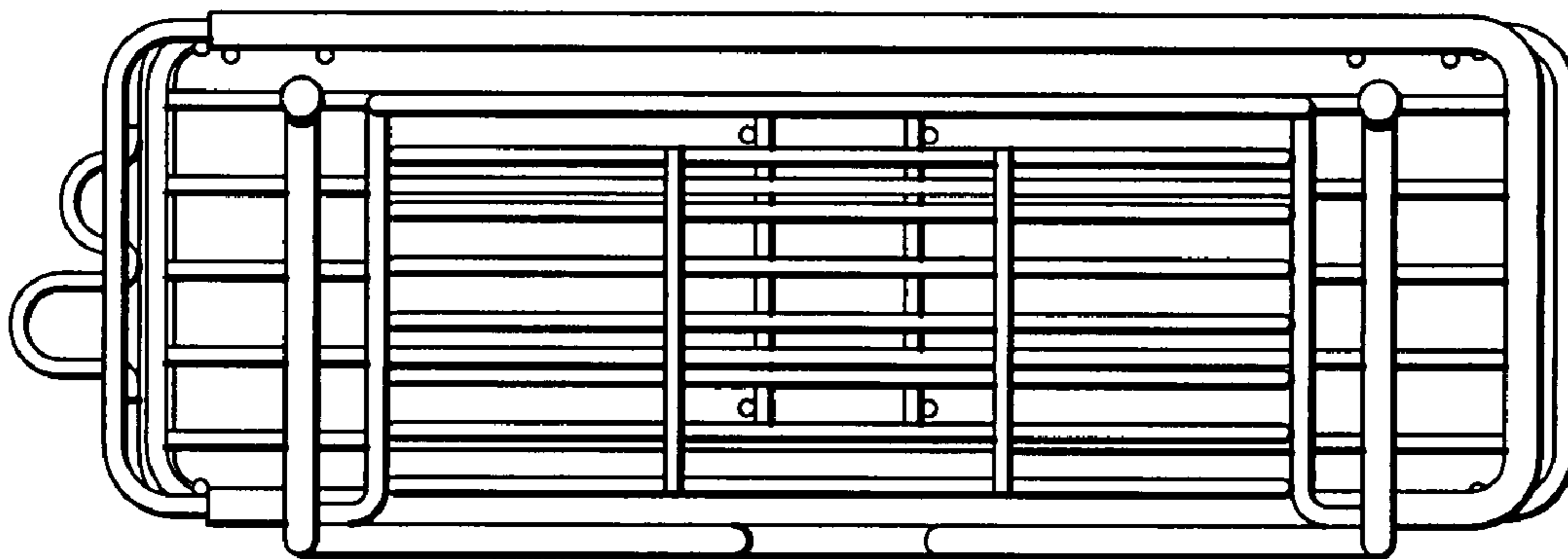


FIG. 7

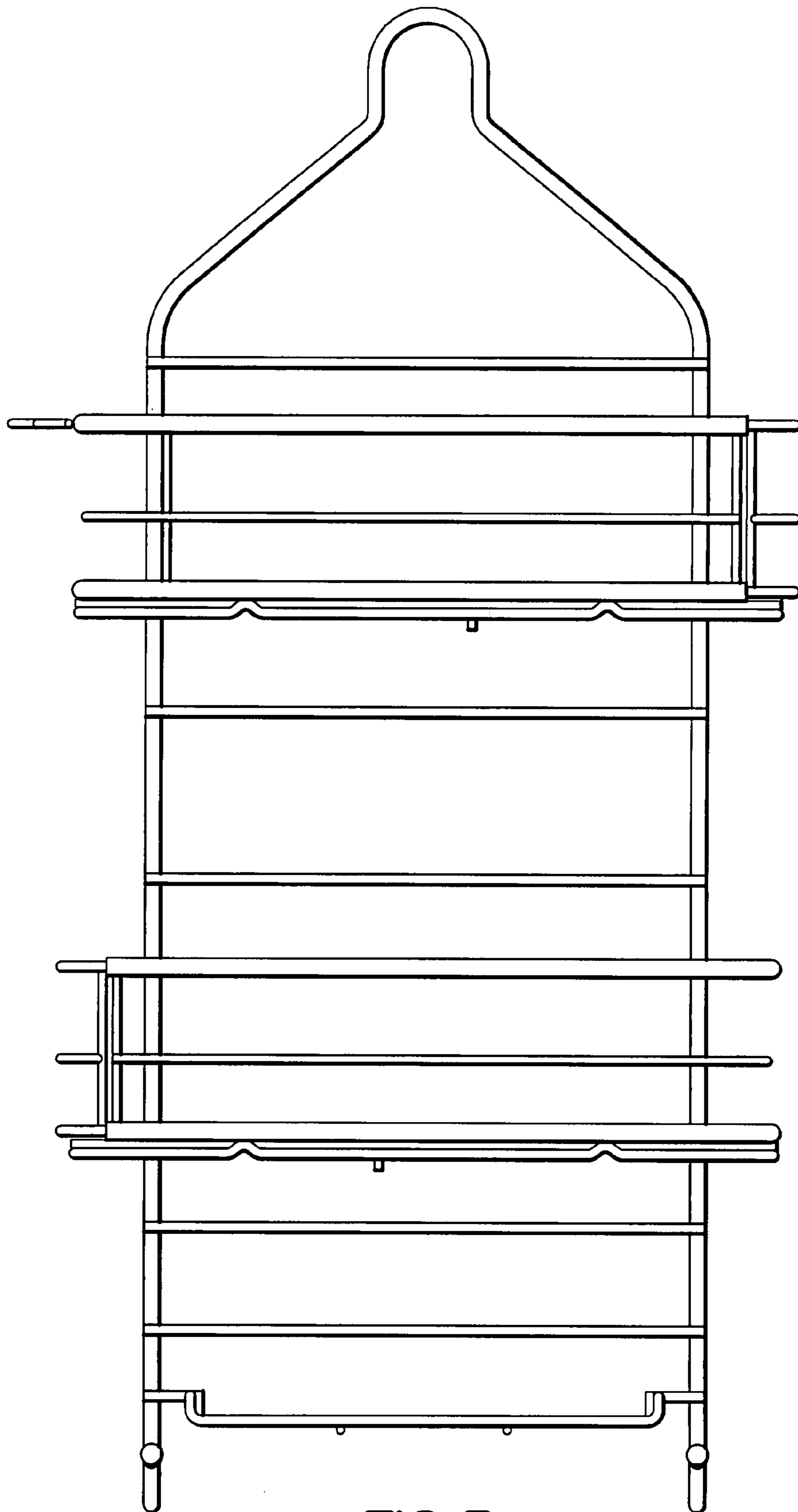


FIG.3

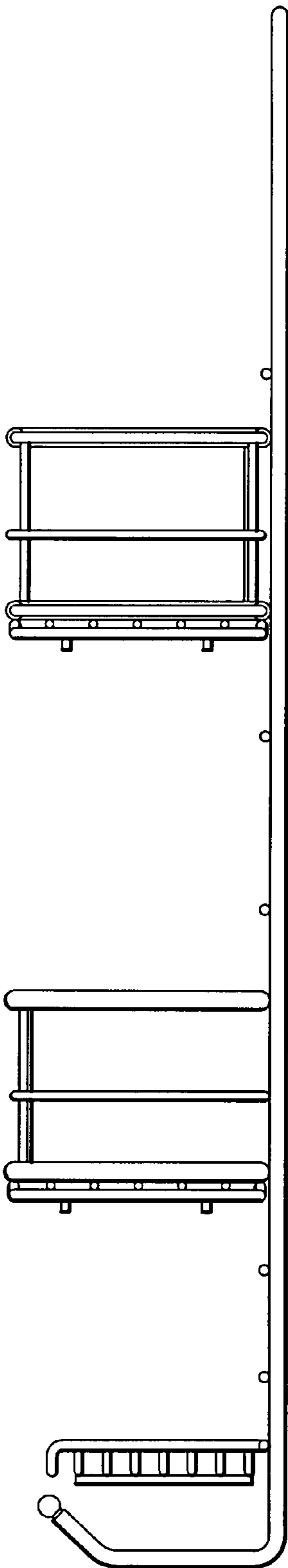


FIG. 4

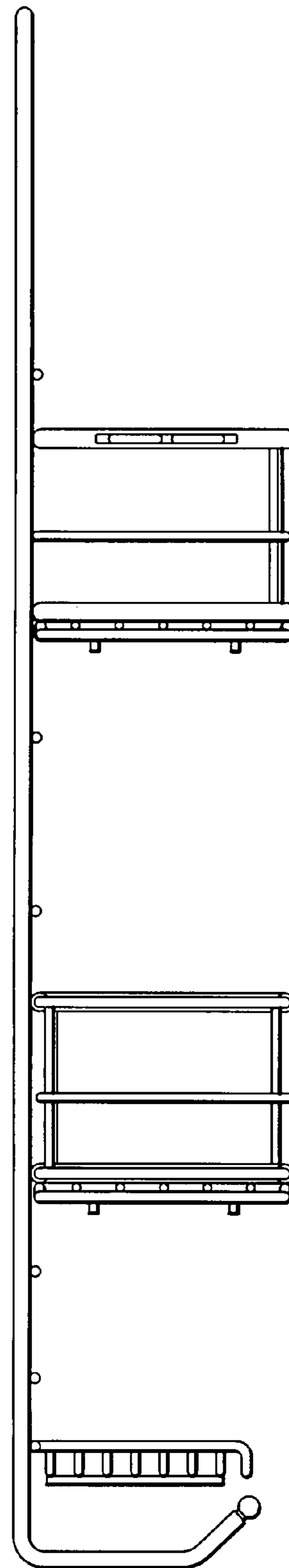


FIG. 5

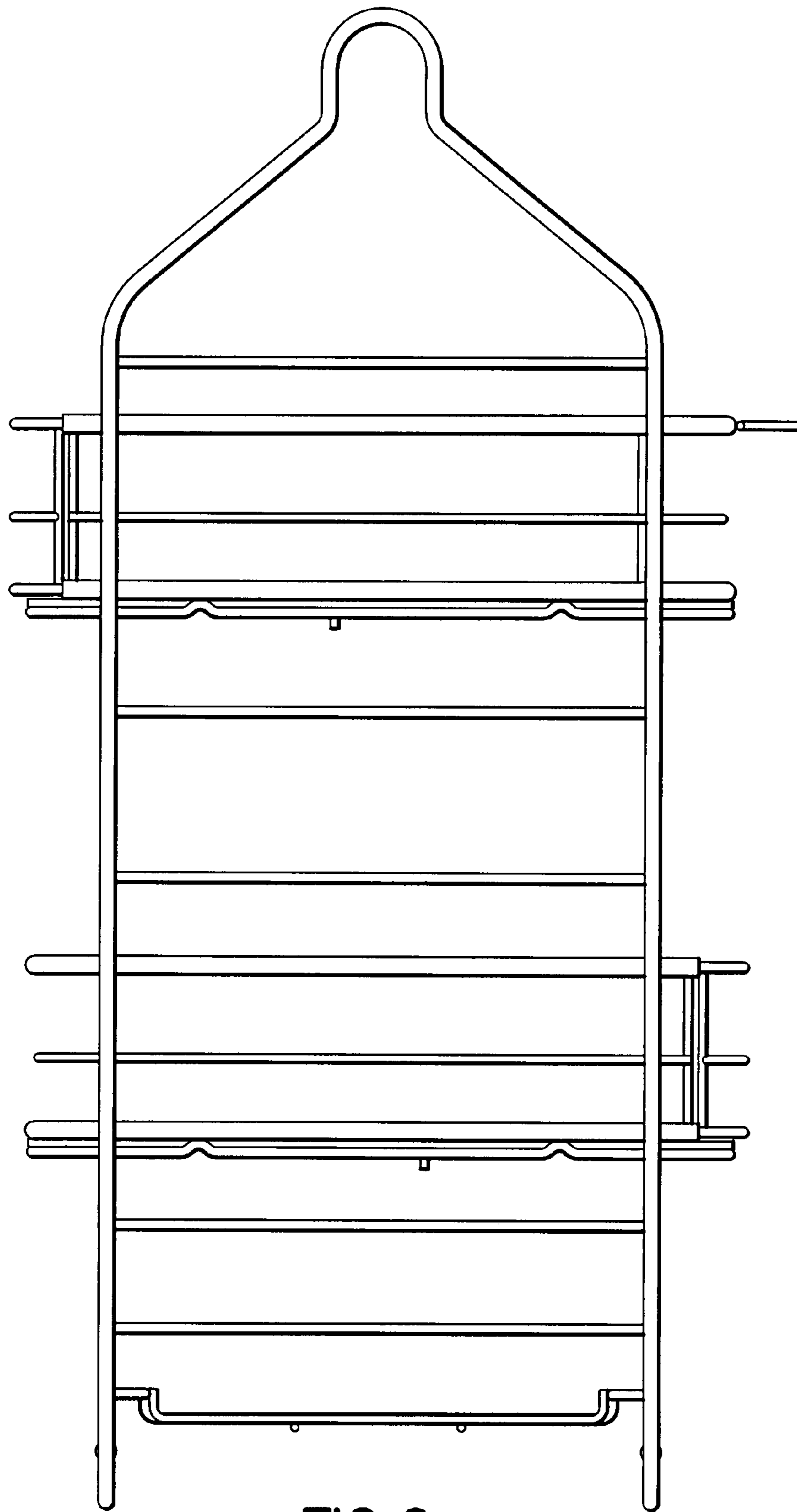


FIG. 6



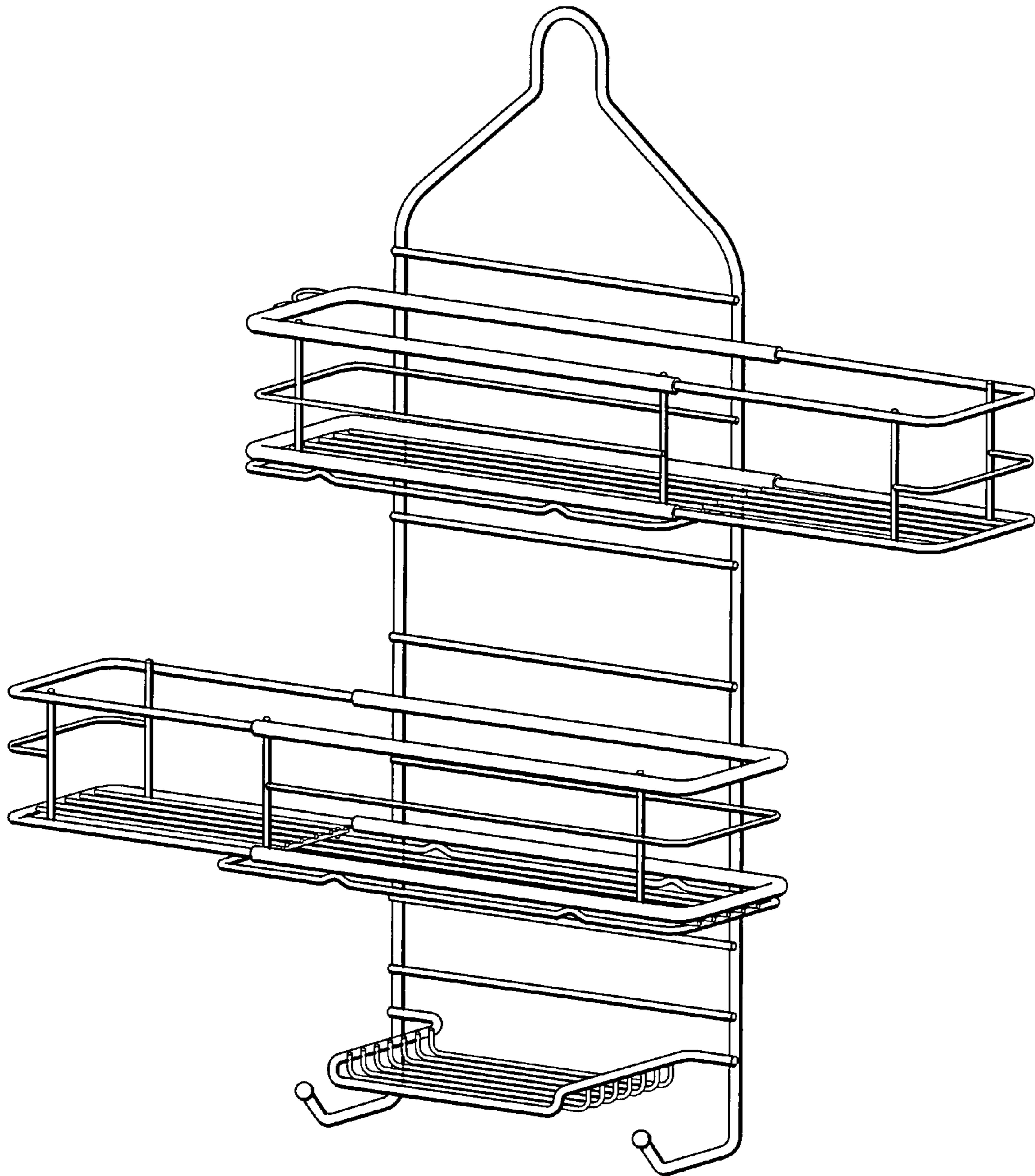


FIG.8