



US00D568654S

(12) **United States Design Patent**
Edwards

(10) **Patent No.: US D568,654 S**

(45) **Date of Patent: ** *May 13, 2008**

(54) **WALL OR POST MOUNTED BAG DISPENSER**

D464,179 S * 10/2002 Petersen et al. D30/162
D480,243 S * 10/2003 Edwards et al. D6/515
D498,955 S * 11/2004 Edwards D6/515
D522,286 S * 6/2006 Edwards D6/518

(75) Inventor: **Timothy Edwards**, Del Mar, CA (US)

(73) Assignee: **R.P.G. Bags, LLC**, Dallas, TX (US)

* cited by examiner

(*) Notice: This patent is subject to a terminal disclaimer.

Primary Examiner—Brian N Vinson
(74) *Attorney, Agent, or Firm*—Locke Lord Bissell & Liddell, LLP

(**) Term: **14 Years**

(57) **CLAIM**

(21) Appl. No.: **29/247,926**

The ornamental design for a wall or post mounted bag dispenser, as shown and described.

(22) Filed: **Jul. 20, 2006**

(51) **LOC (8) Cl.** **20-02**

(52) **U.S. Cl.** **D6/515**

(58) **Field of Classification Search** D6/515-523;
206/225, 233, 389, 391, 812, 824; 211/13.1,
211/45; 222/173, 180; 221/16, 33, 282-283;
242/925, 570, 590; 248/309.1, 309.2, 905;
D9/307

DESCRIPTION

See application file for complete search history.

FIG. 1 is a front, top and side-perspective view of a wall or post mounted bag dispenser embodying my new design, wherein an exemplary post is illustrated in phantom in forms no part of the design;

FIG. 2 is a top, rear and side-perspective view thereof;

FIG. 3 is a front elevational view thereof;

FIG. 4 is a rear elevational view thereof;

FIG. 5 is a left side elevational view thereof;

FIG. 6 is a right side elevational view thereof;

FIG. 7 is a top plan view thereof; and,

FIG. 8 is a bottom plan view thereof.

(56) **References Cited**

U.S. PATENT DOCUMENTS

D240,062 S * 5/1976 Safram D23/234
D307,402 S * 4/1990 Rouse et al. D11/157
D328,620 S * 8/1992 Maple D23/234
D360,788 S * 8/1995 Cousins D6/515
D394,414 S * 5/1998 Catalano D11/133

1 Claim, 3 Drawing Sheets

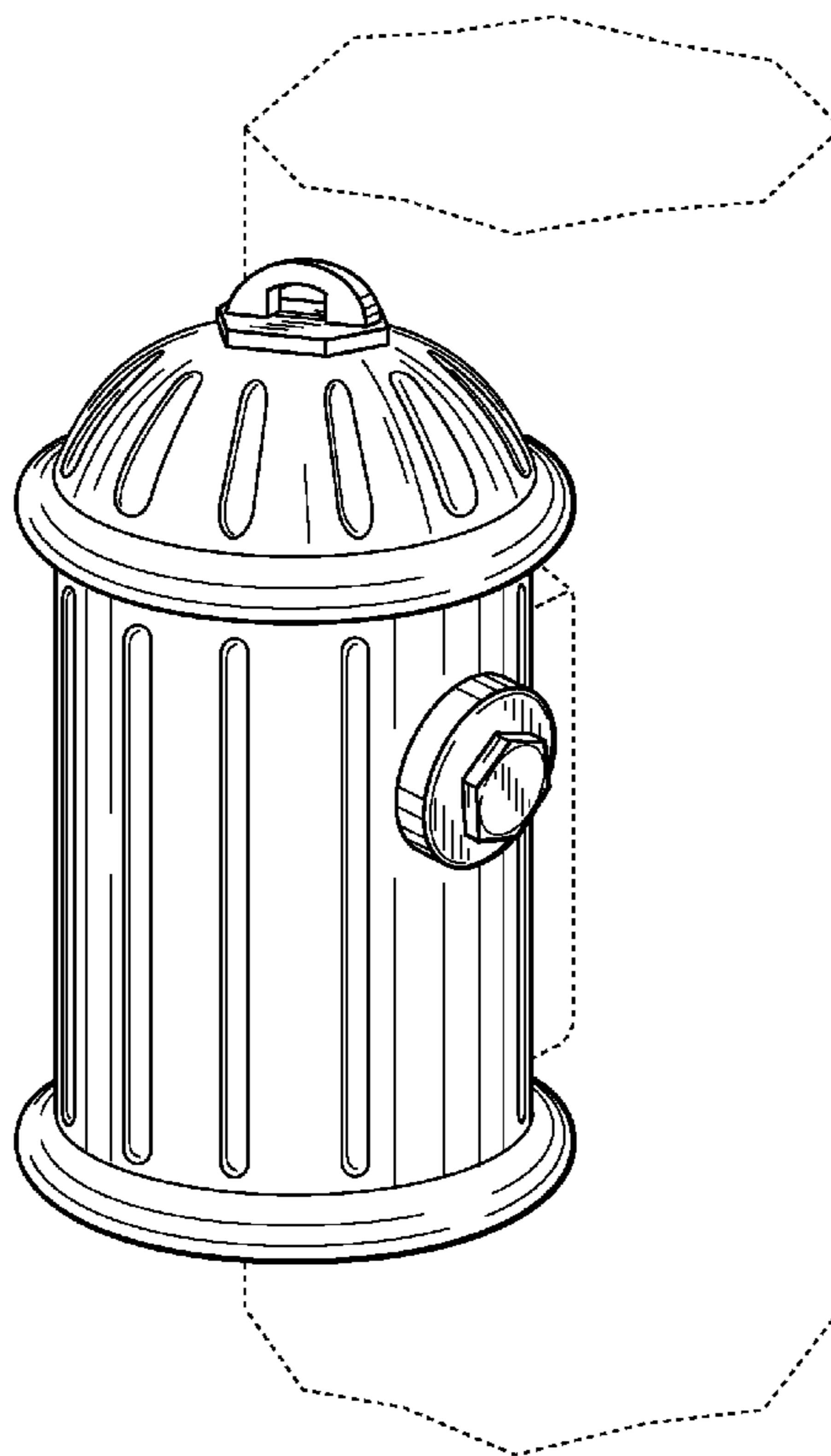


FIG. 1

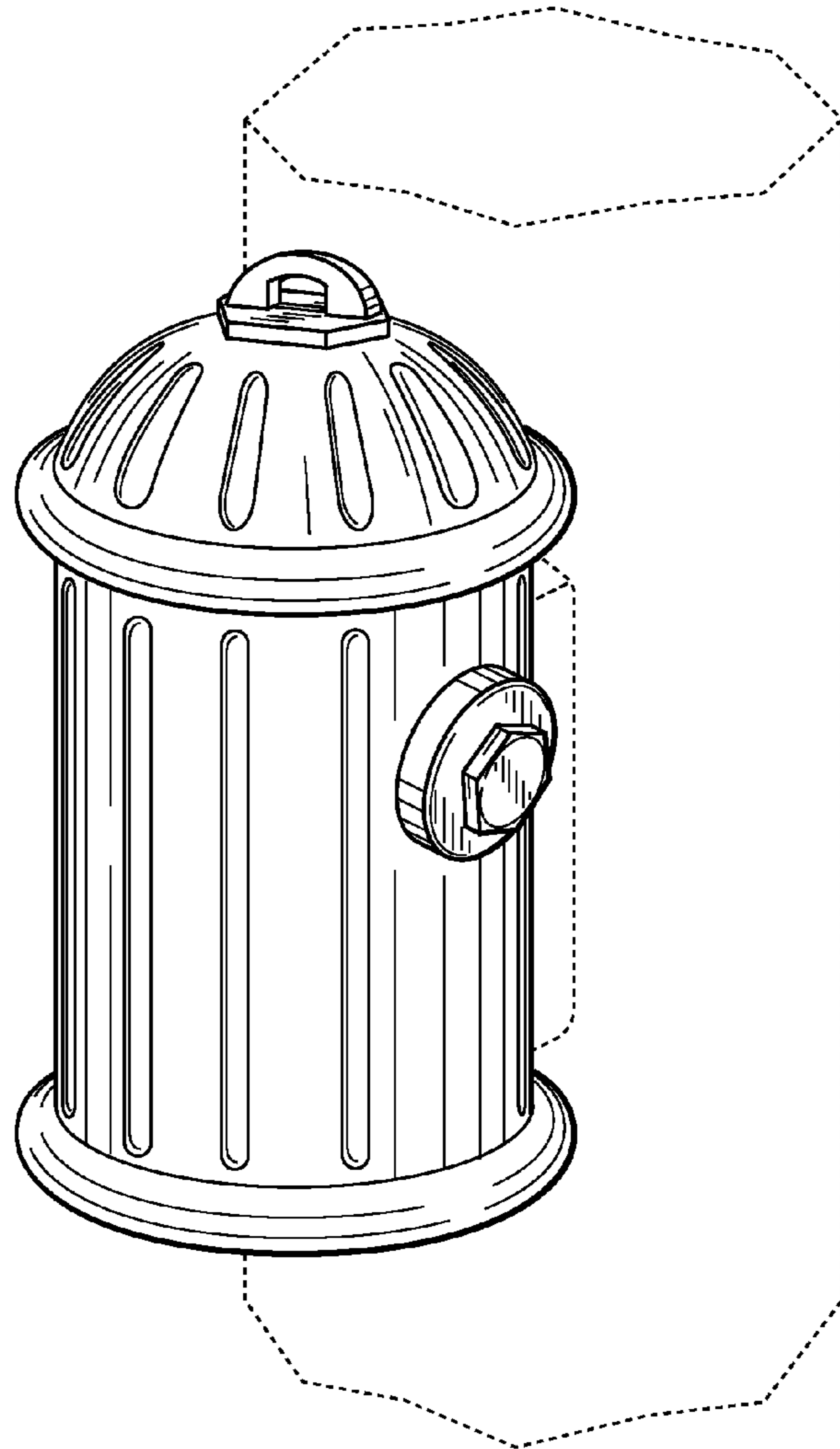
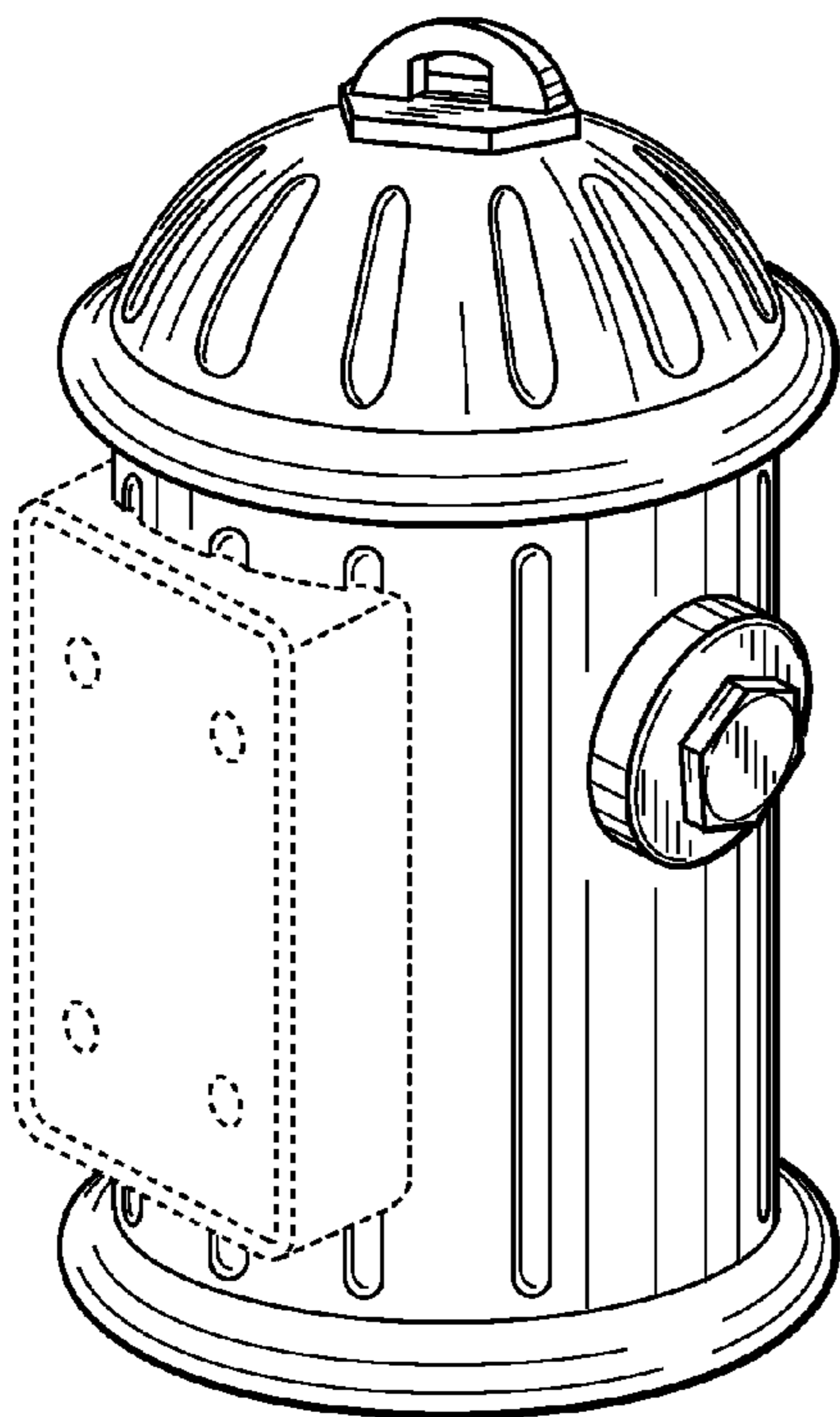


FIG. 2



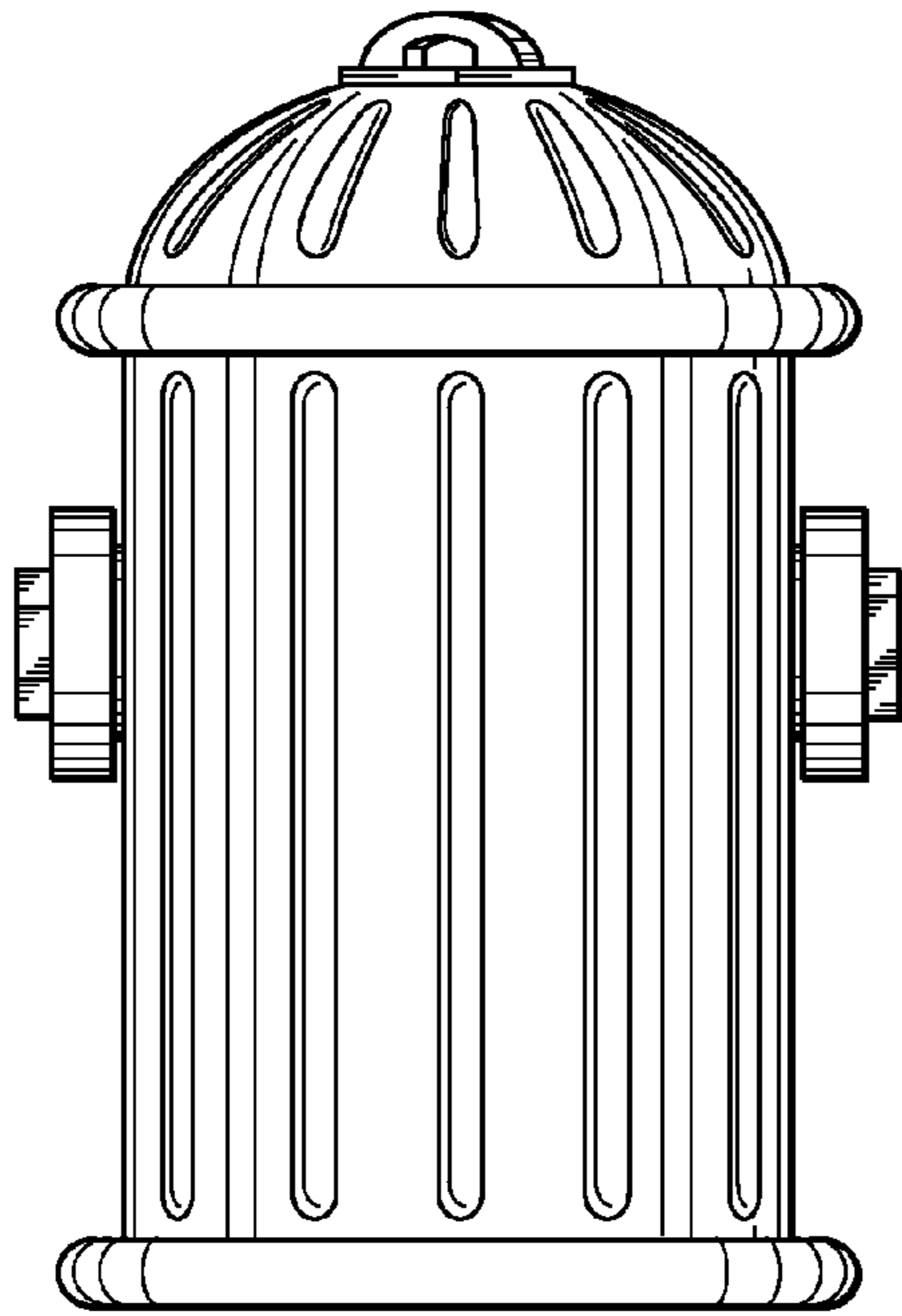


FIG. 3

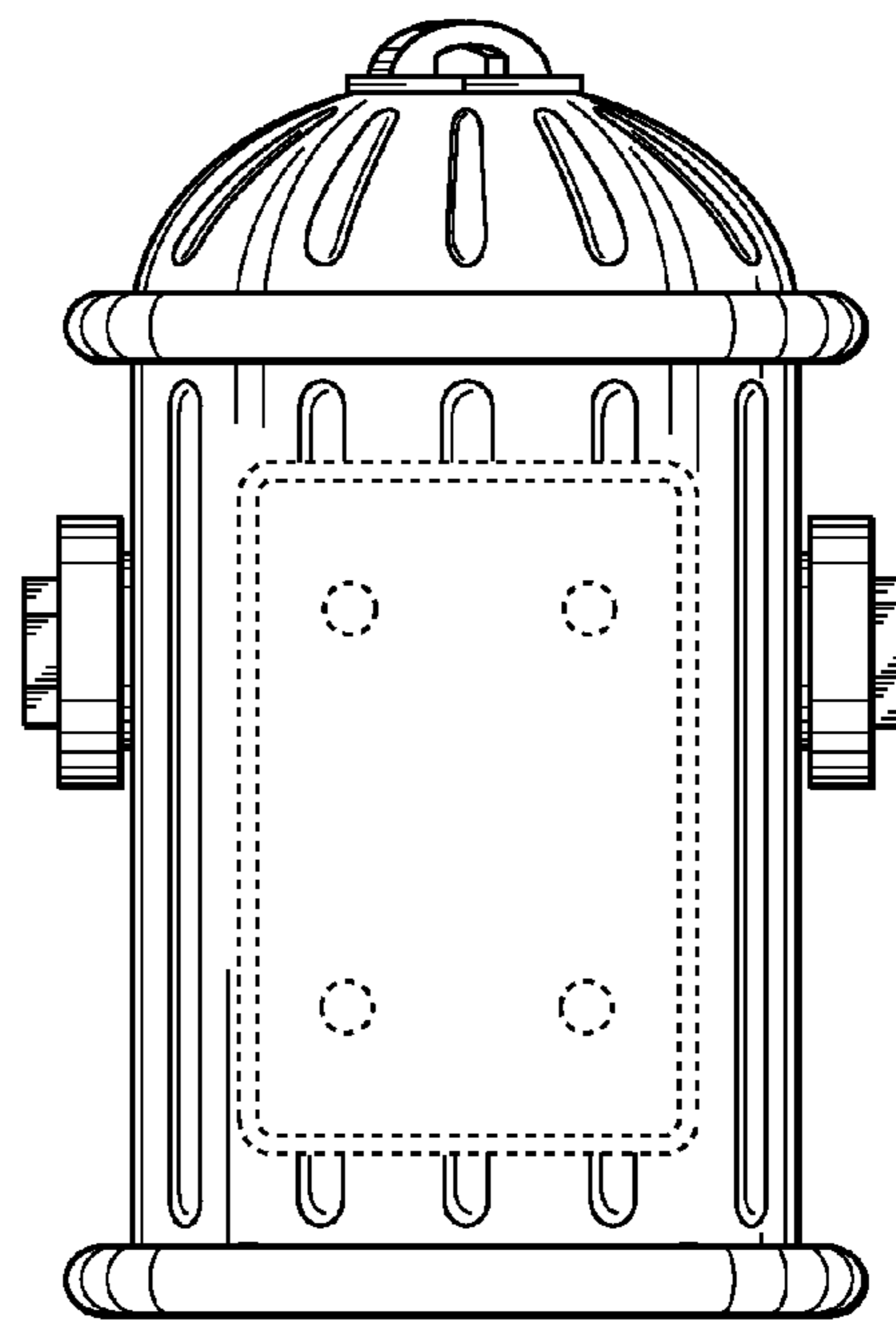


FIG. 4

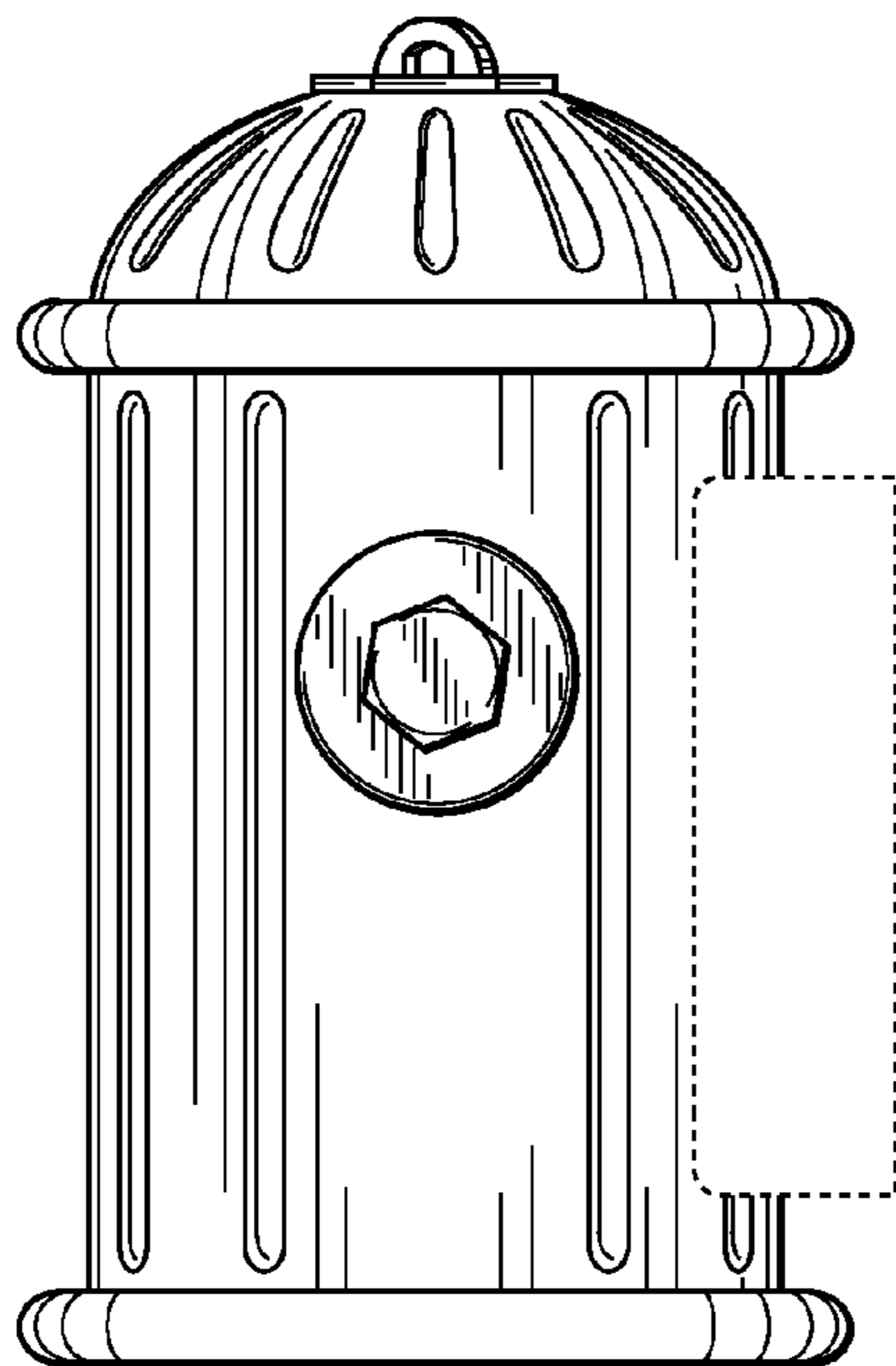


FIG. 5

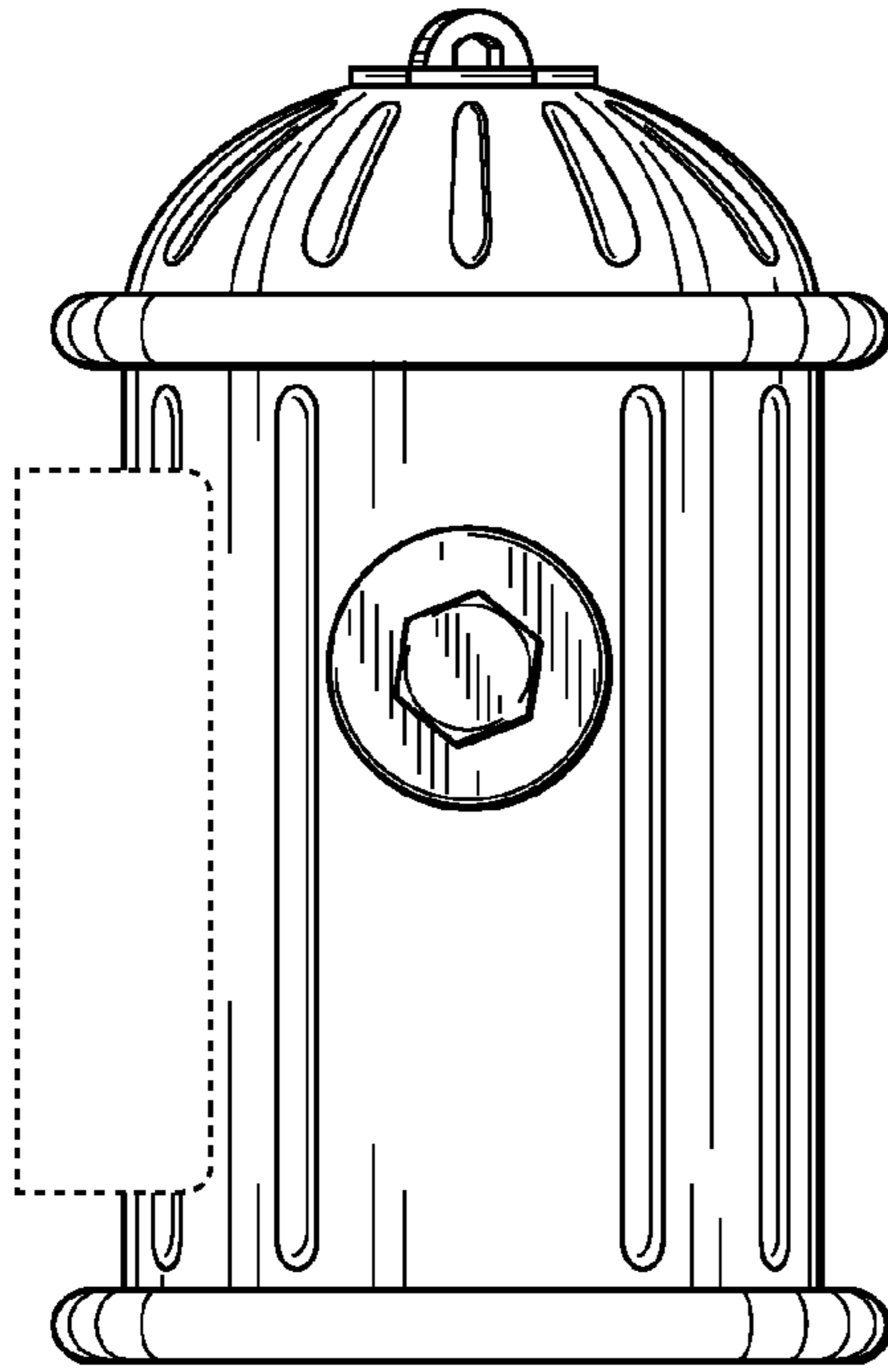


FIG. 6

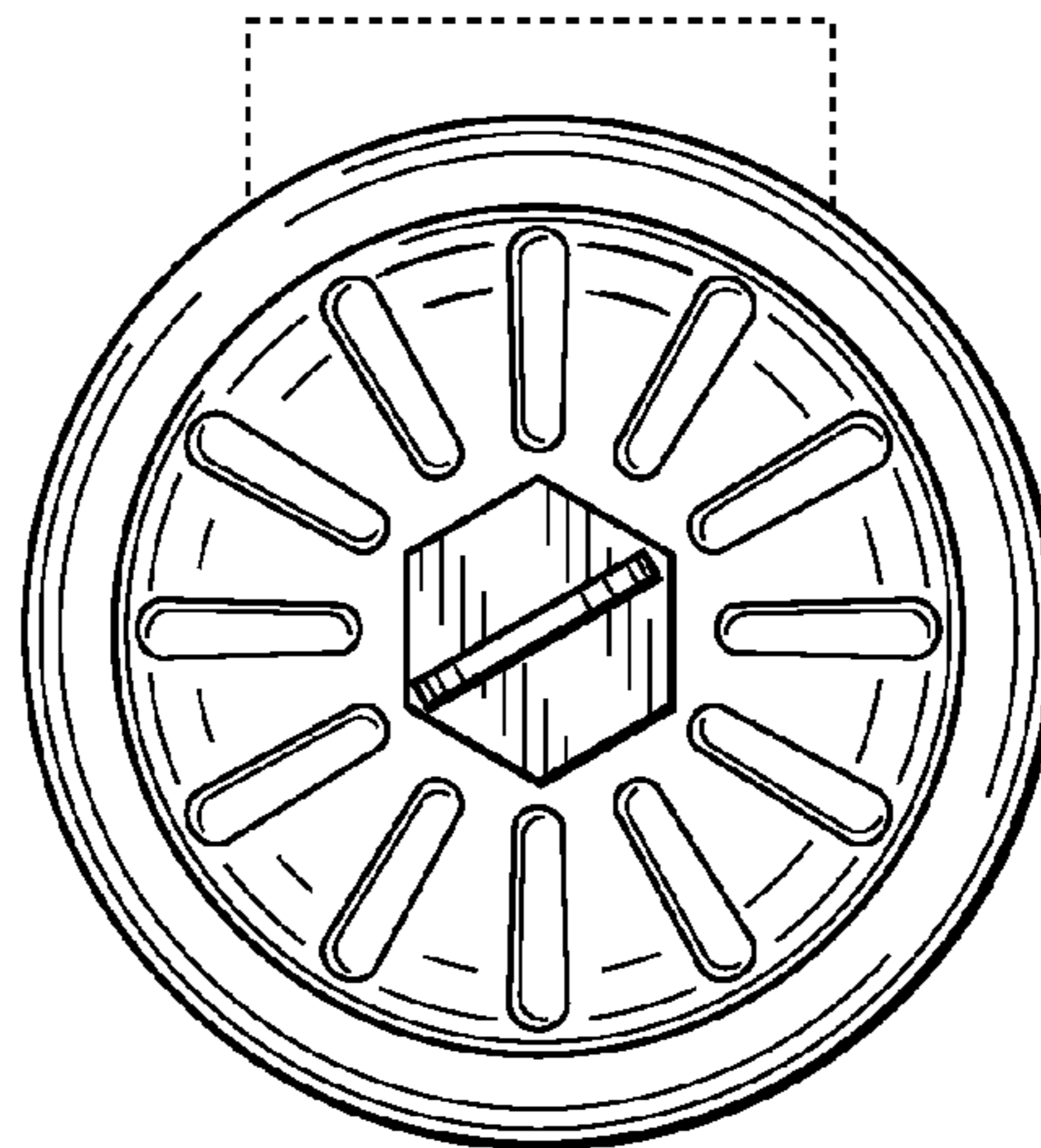


FIG. 7

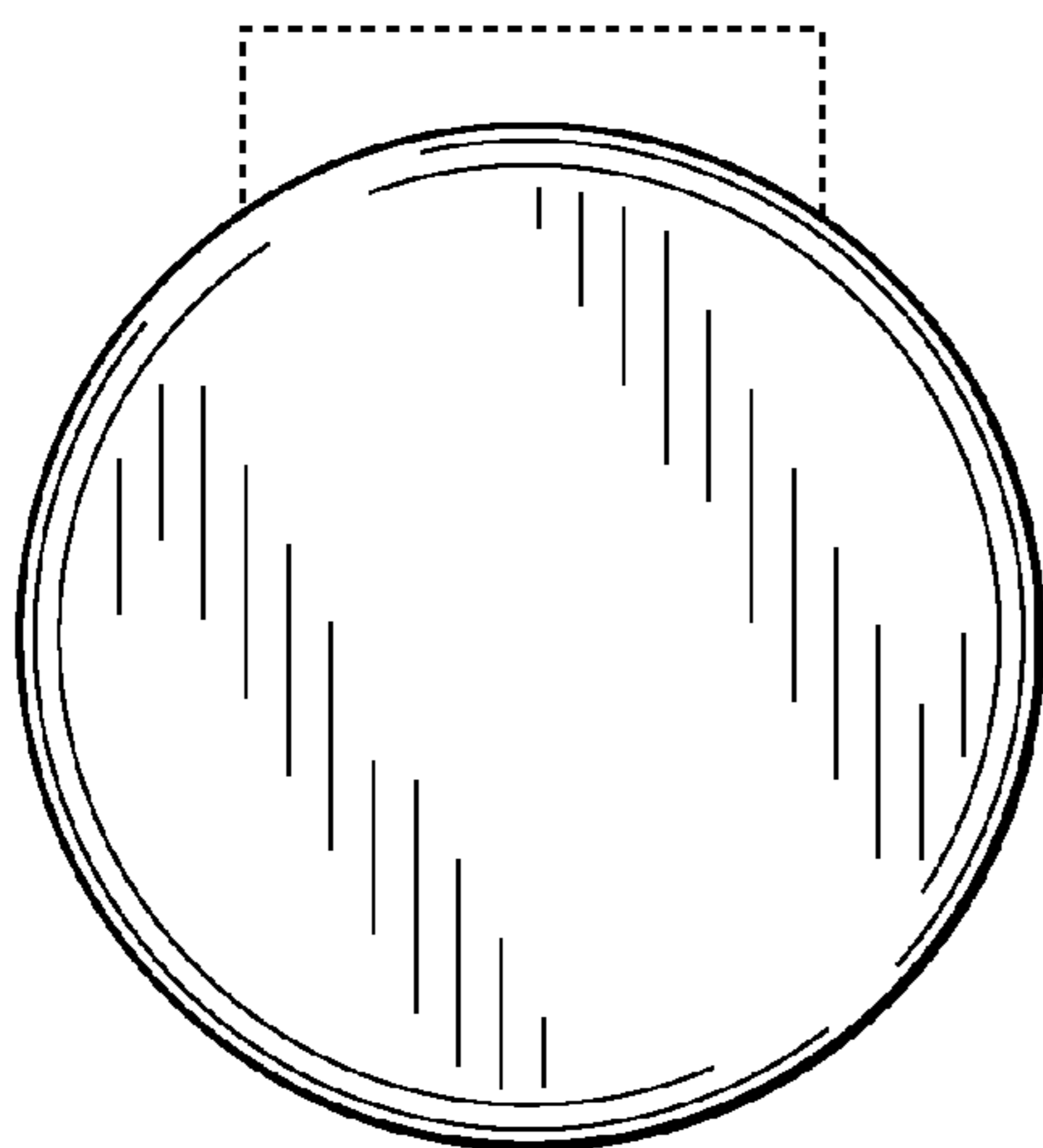


FIG. 8