



US00D568651S

(12) **United States Design Patent**  
**Goodman et al.**

(10) **Patent No.:** **US D568,651 S**

(45) **Date of Patent:** **\*\* May 13, 2008**

(54) **OVER-THE-DOOR PURSES HOOK RACK**

(75) Inventors: **Sheldon H. Goodman**, Solon, OH  
(US); **Omer I. Sazir**, Cleveland, OH  
(US)

(73) Assignee: **Spectrum Diversified Designs, Inc.**,  
Streetsboro, OH (US)

(\*\*) Term: **14 Years**

(21) Appl. No.: **29/281,961**

(22) Filed: **Jul. 7, 2007**

(51) **LOC (8) Cl.** ..... **06-06**

(52) **U.S. Cl.** ..... **D6/514; D6/566**

(58) **Field of Classification Search** ..... D6/512-514,  
D6/553, 566, 567, 569, 315, 320, 327; D8/349,  
D8/354, 367, 372; 248/301-304, 309.1,  
248/309.2; 211/13.1, 30, 32, 70.6, 56.01,  
211/87.01, 181.1

See application file for complete search history.

(56) **References Cited**

**U.S. PATENT DOCUMENTS**

D390,400 S \* 2/1998 Munoz ..... D6/569

D421,355 S \* 3/2000 Goodman et al. .... D6/513  
D461,706 S \* 8/2002 Goodman et al. .... D6/566  
D465,998 S \* 11/2002 Goodman et al. .... D6/566  
D466,396 S \* 12/2002 Snell ..... D6/513  
D470,394 S \* 2/2003 Harwanko ..... D6/566  
D473,455 S \* 4/2003 Goodman et al. .... D6/513

\* cited by examiner

*Primary Examiner*—Brian N Vinson

(74) *Attorney, Agent, or Firm*—Pearne & Gordon LLP

(57) **CLAIM**

The ornamental design for an over-the-door purses hook rack, as shown and described.

**DESCRIPTION**

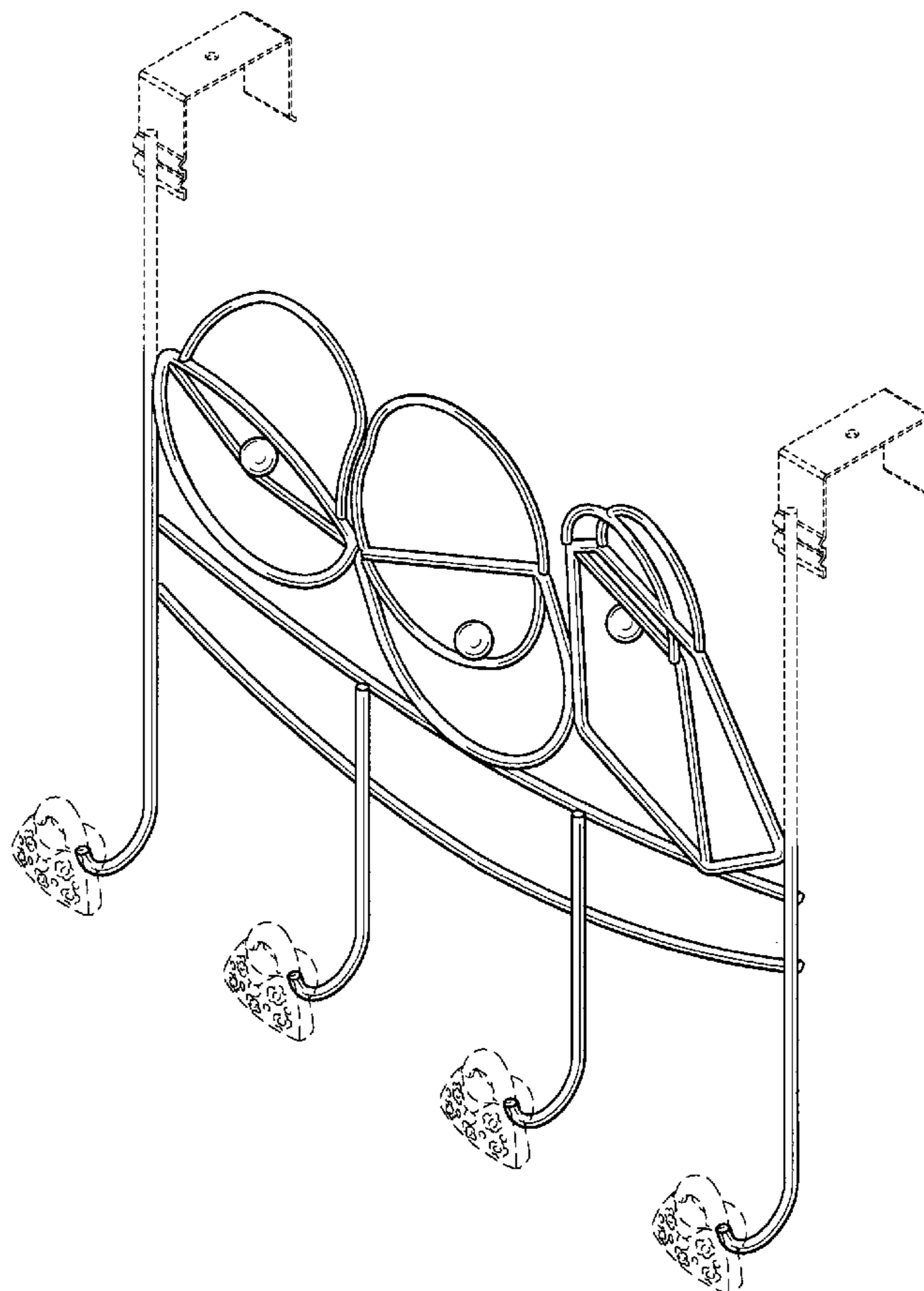
FIG. 1 is a perspective view of an over-the-door purses hook rack, showing our new design;

FIG. 2 is a front elevational view thereof; and,

FIG. 3 is a side elevational view thereof.

The broken-line disclosure of elements in the views is for illustrative purposes only and forms no part of the claimed design.

**1 Claim, 2 Drawing Sheets**



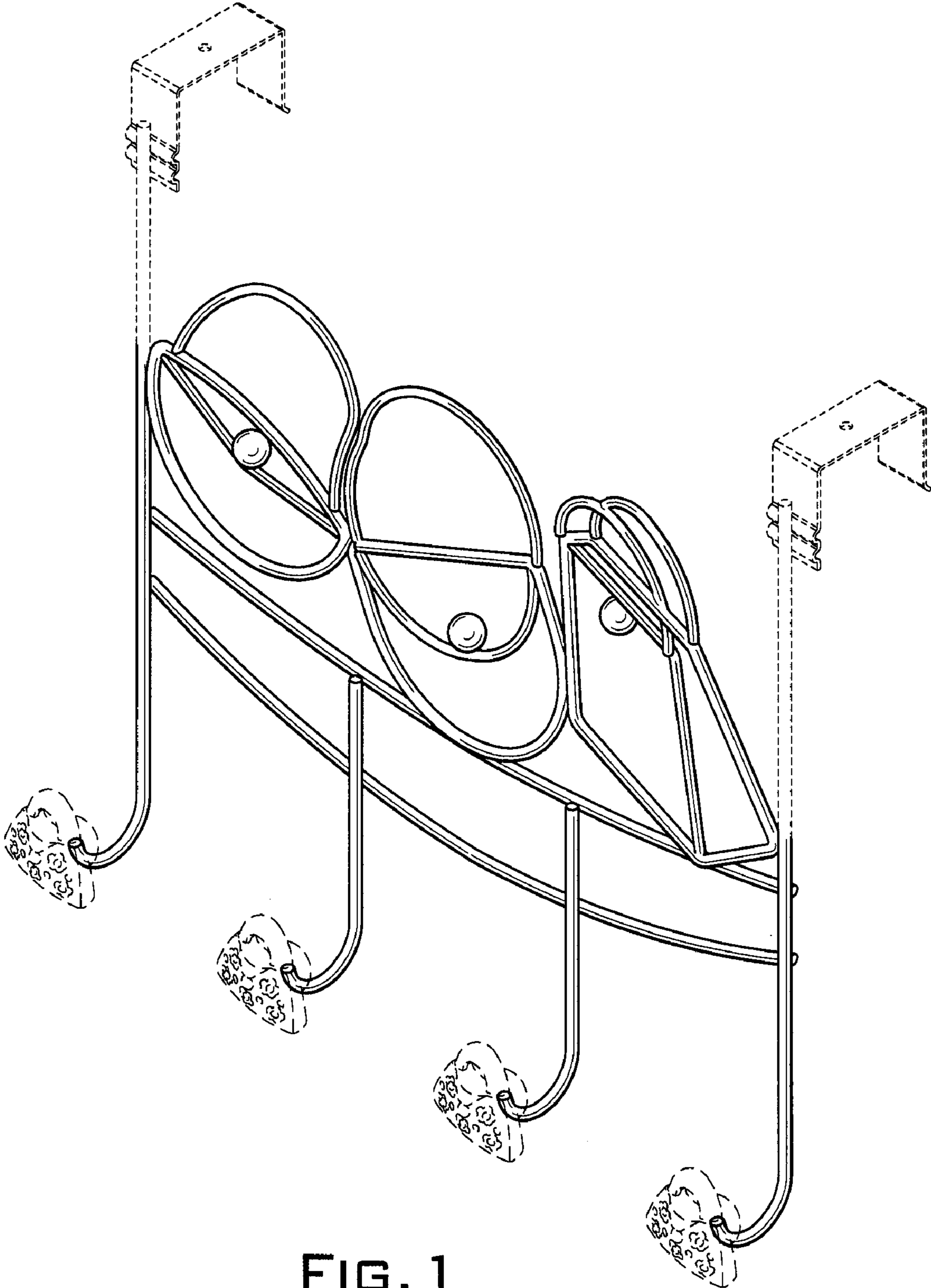


FIG. 1

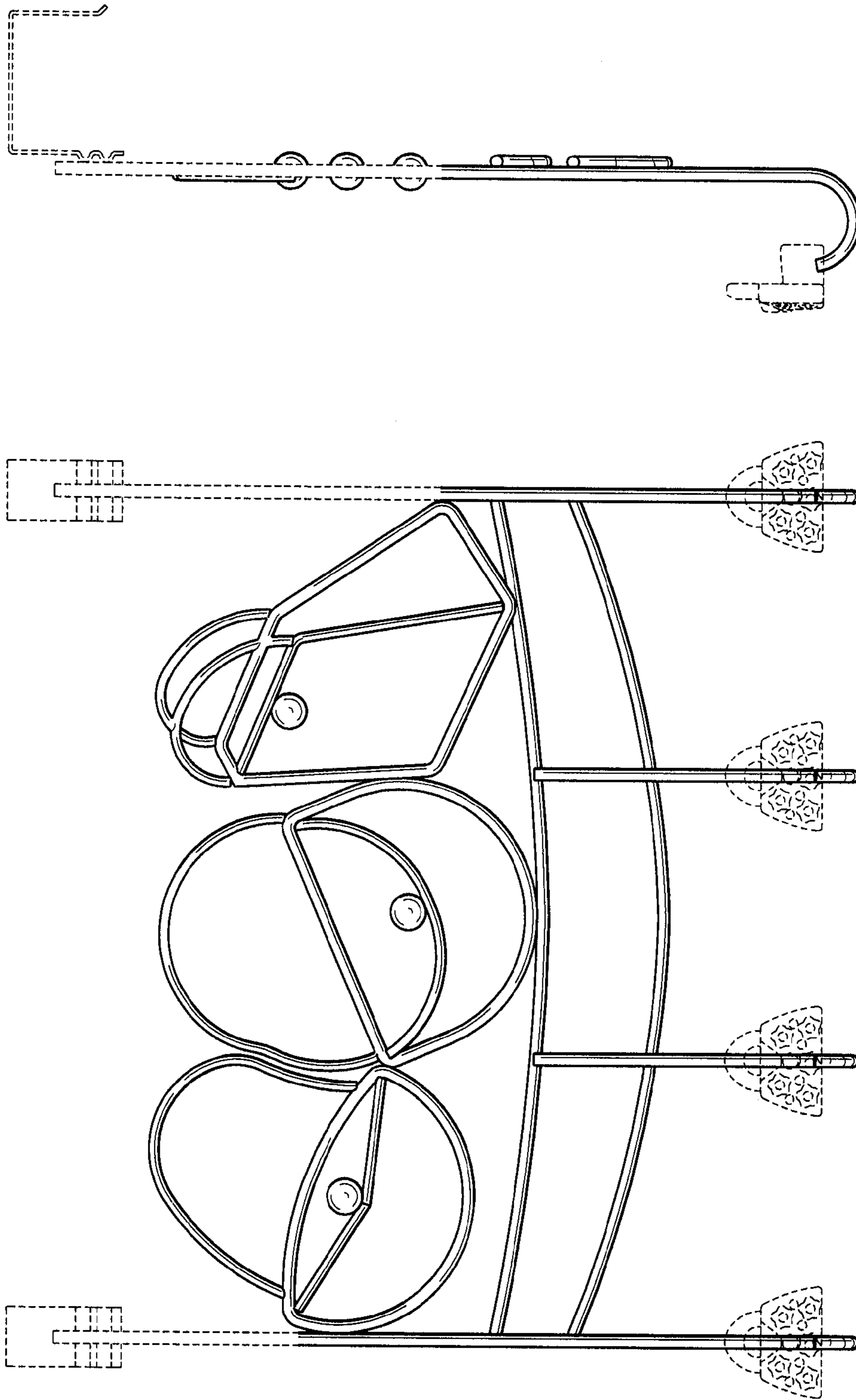


FIG. 3

FIG. 2