

US00D568649S

(12) **United States Design Patent**
Morris et al.

(10) **Patent No.:** **US D568,649 S**

(45) **Date of Patent:** **** May 13, 2008**

(54) **TABLE**

D479,778 S * 9/2003 Haney et al. D6/511

(76) Inventors: **Suzanne Morris**, 316 Corporate Pl.,
Chattanooga, TN (US) 37419; **Glenn H. Morris, Jr.**, 319 Corporate Pl.,
Chattanooga, TN (US) 37419

* cited by examiner

Primary Examiner—Janice E. Seeger
(74) *Attorney, Agent, or Firm*—Stephen J. Stark; Miller & Martin PLLC

(**) Term: **14 Years**

(57) **CLAIM**

(21) Appl. No.: **29/285,205**

The ornamental design for a table, as shown and described.

(22) Filed: **Mar. 23, 2007**

DESCRIPTION

(51) **LOC (8) Cl.** **06-03**
(52) **U.S. Cl.** **D6/511; D6/430**
(58) **Field of Classification Search** D6/480–489,
D6/495–499, 511, 451, 429–431; 108/150,
108/153.1, 156, 157.1, 161, 44, 115, 162,
108/152, 69, 134; D12/415; D21/359
See application file for complete search history.

FIG. 1 is a perspective view of a table design;
FIG. 2 is a top elevational view thereof;
FIG. 3 is a left side elevational view thereof;
FIG. 4 is a right side elevational view thereof;
FIG. 5 is a front elevational view thereof;
FIG. 6 is a back elevational view thereof; and,
FIG. 7 is a bottom elevational view thereof.

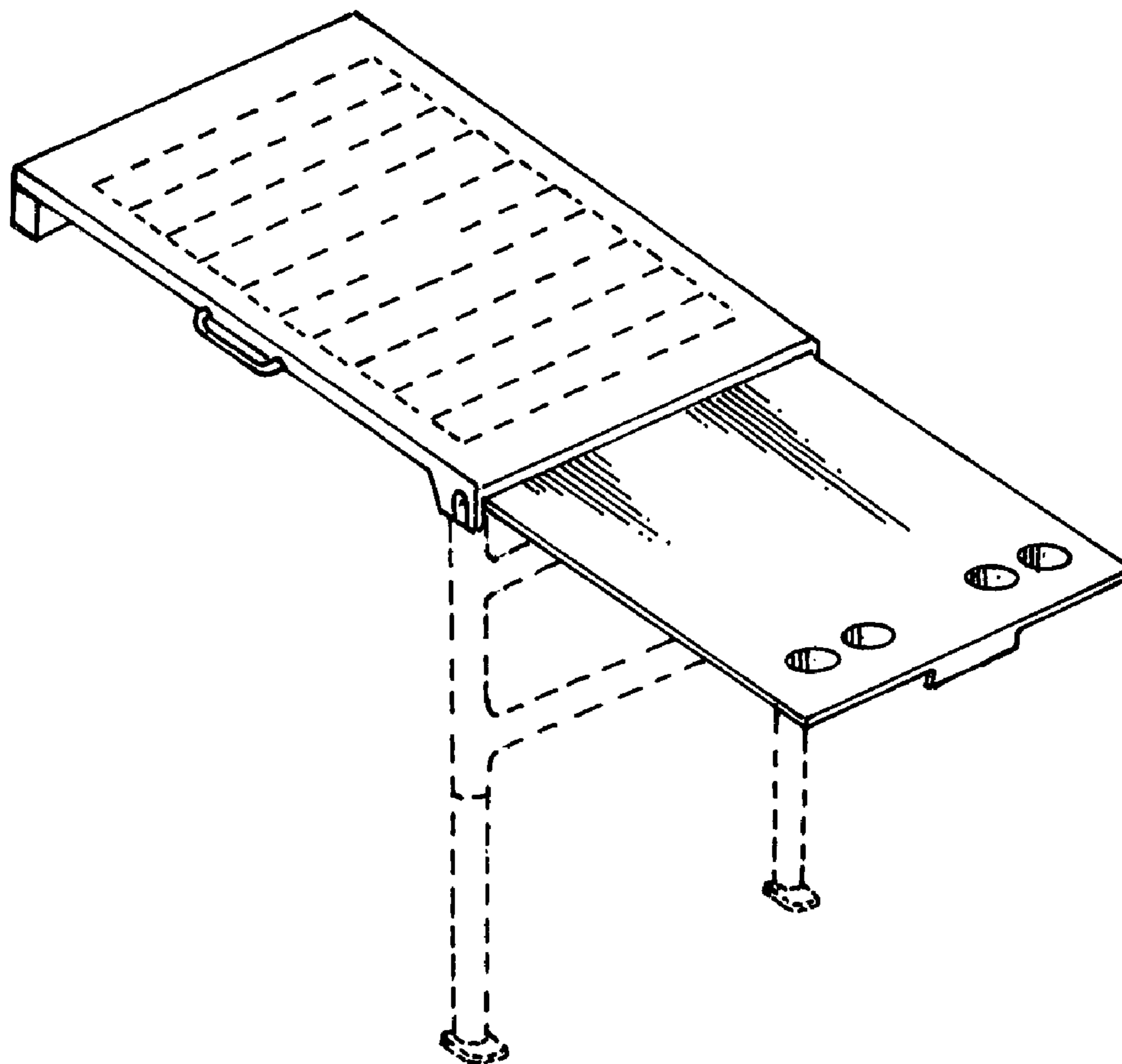
(56) **References Cited**

The broken lines showing the leg supports and pattern on the table top are for environmental purposes only and form no part of the claimed design.

U.S. PATENT DOCUMENTS

4,359,004 A * 11/1982 Chappell 108/44
5,170,720 A * 12/1992 Scheurer 108/44
D367,387 S * 2/1996 Sweere D6/511
5,730,066 A * 3/1998 Auten et al. 108/44

1 Claim, 3 Drawing Sheets



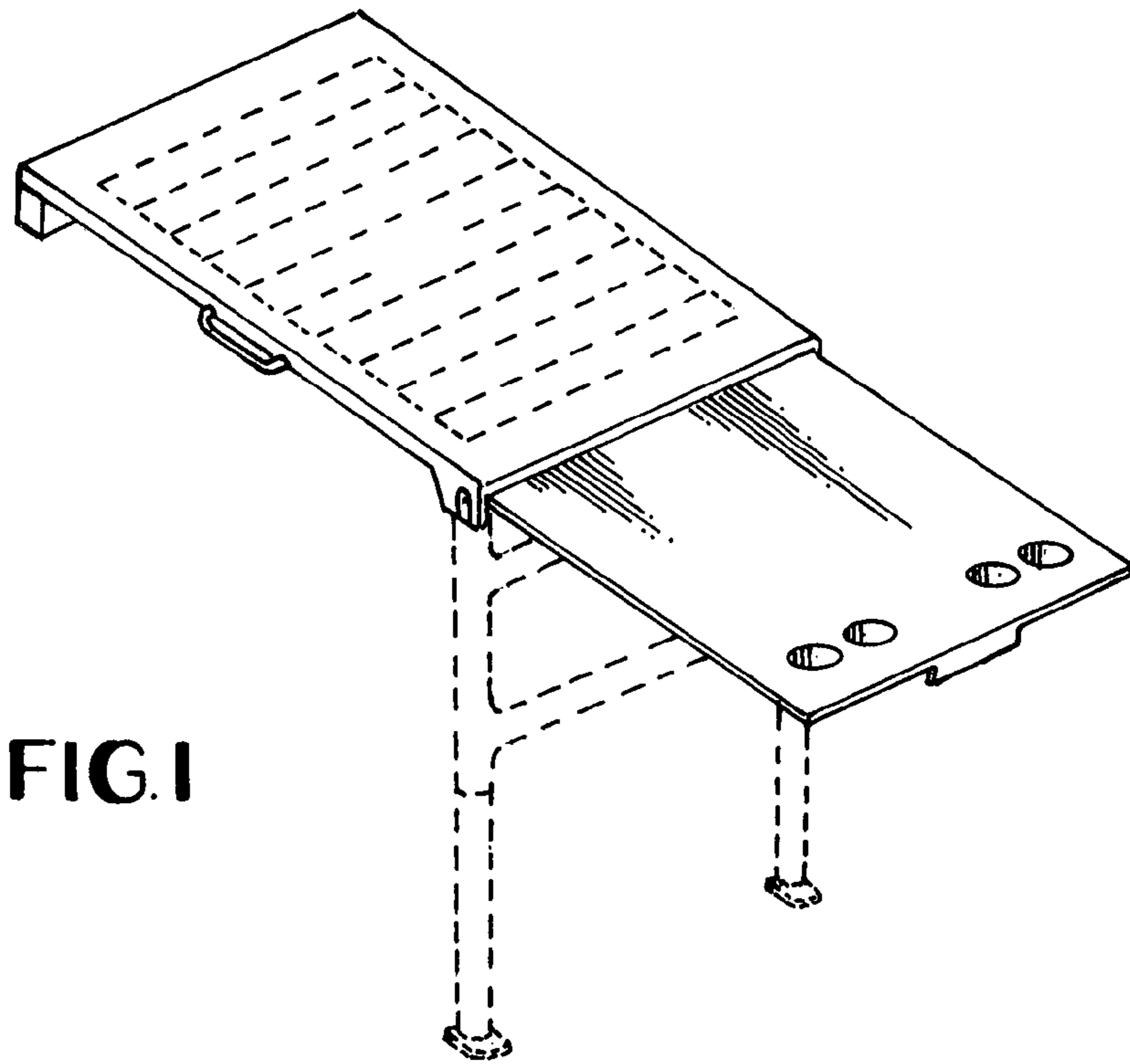


FIG. 1

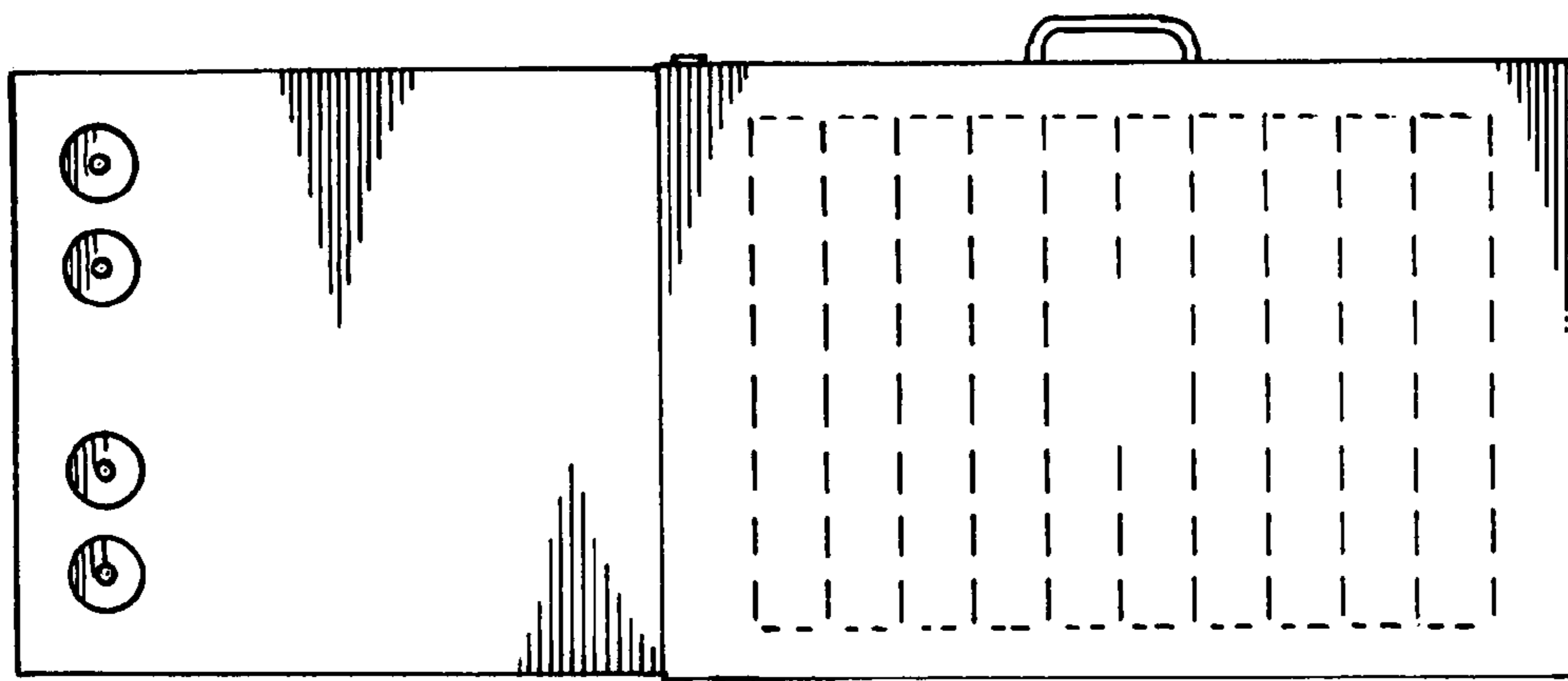
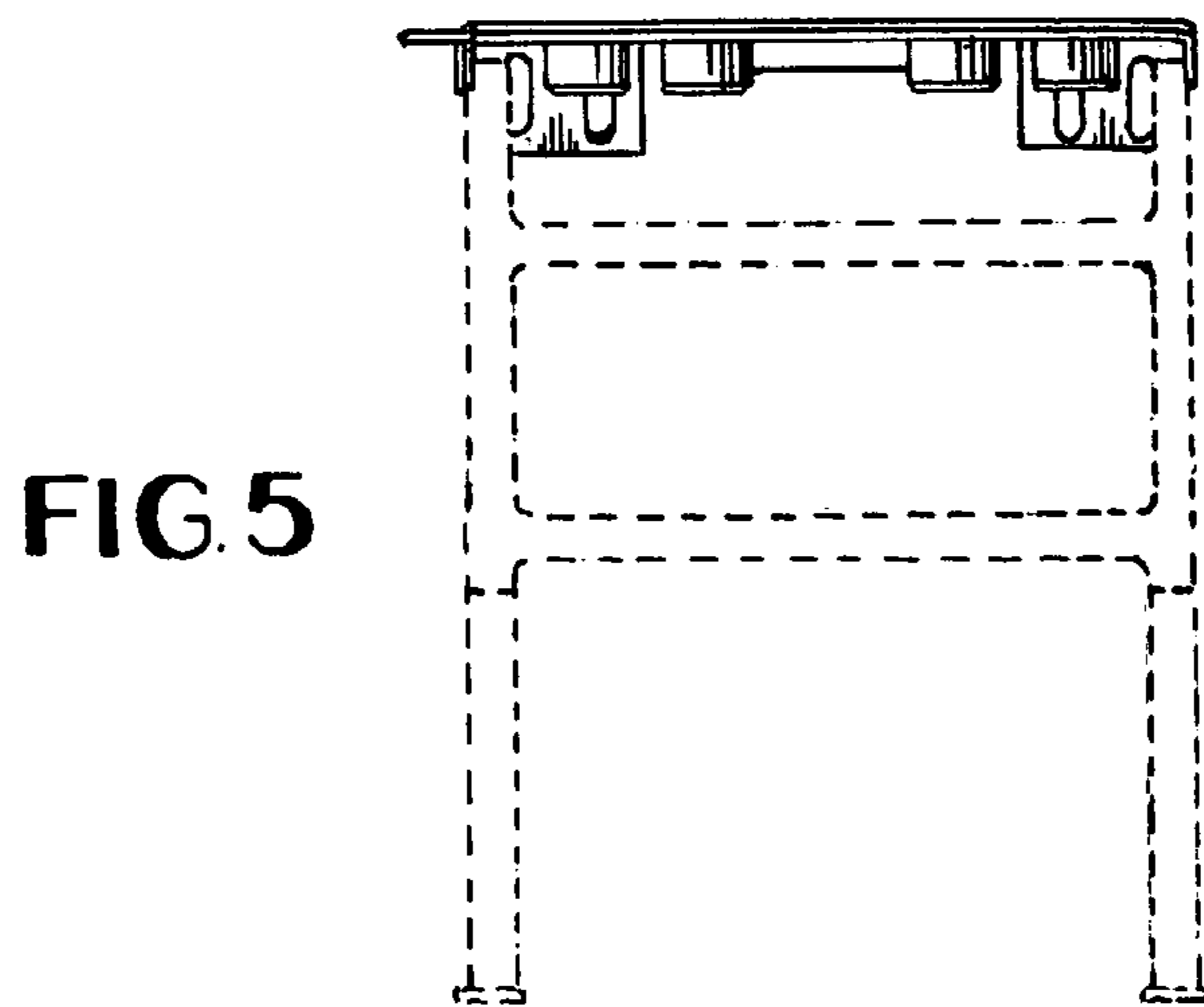
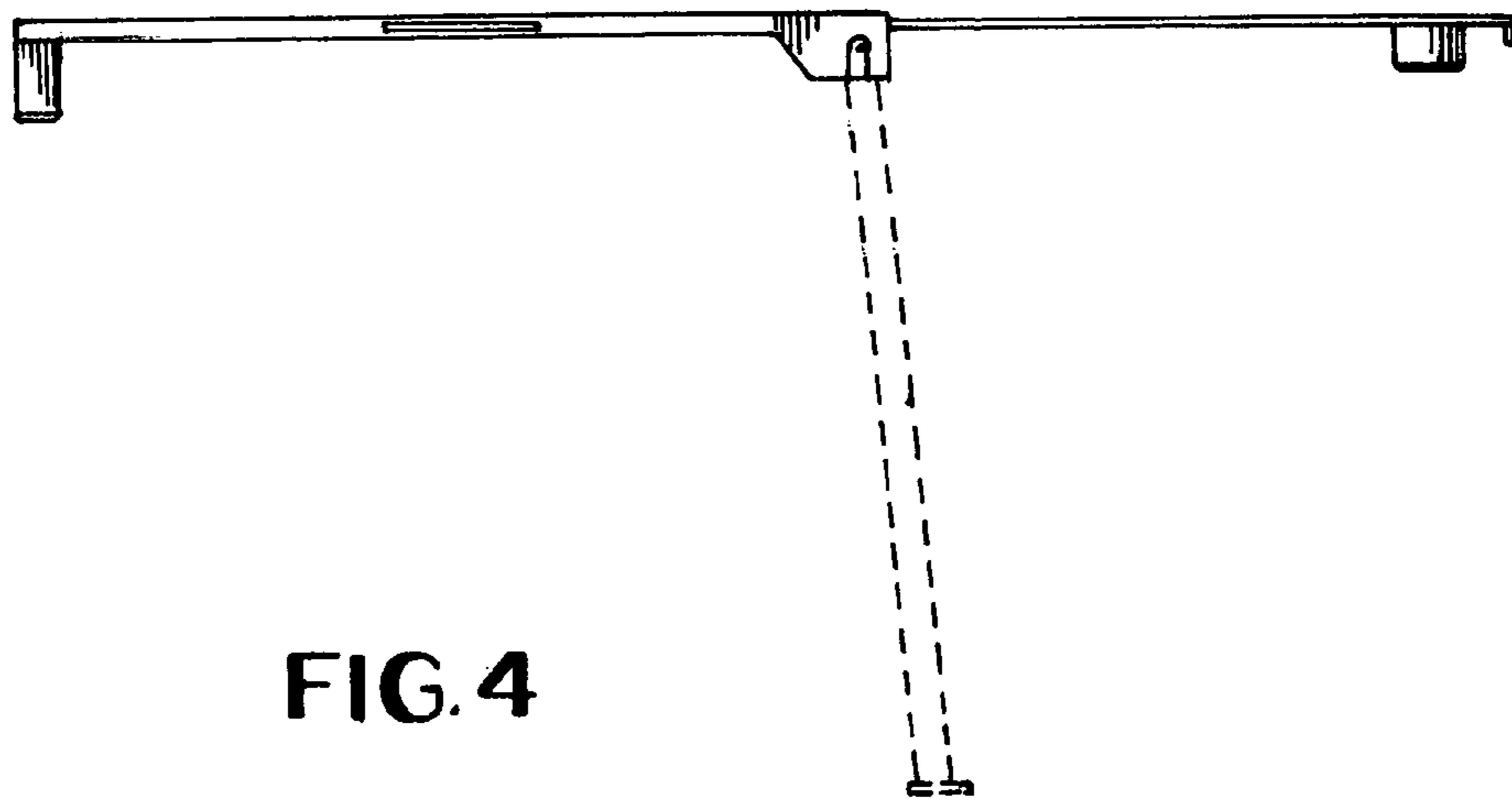
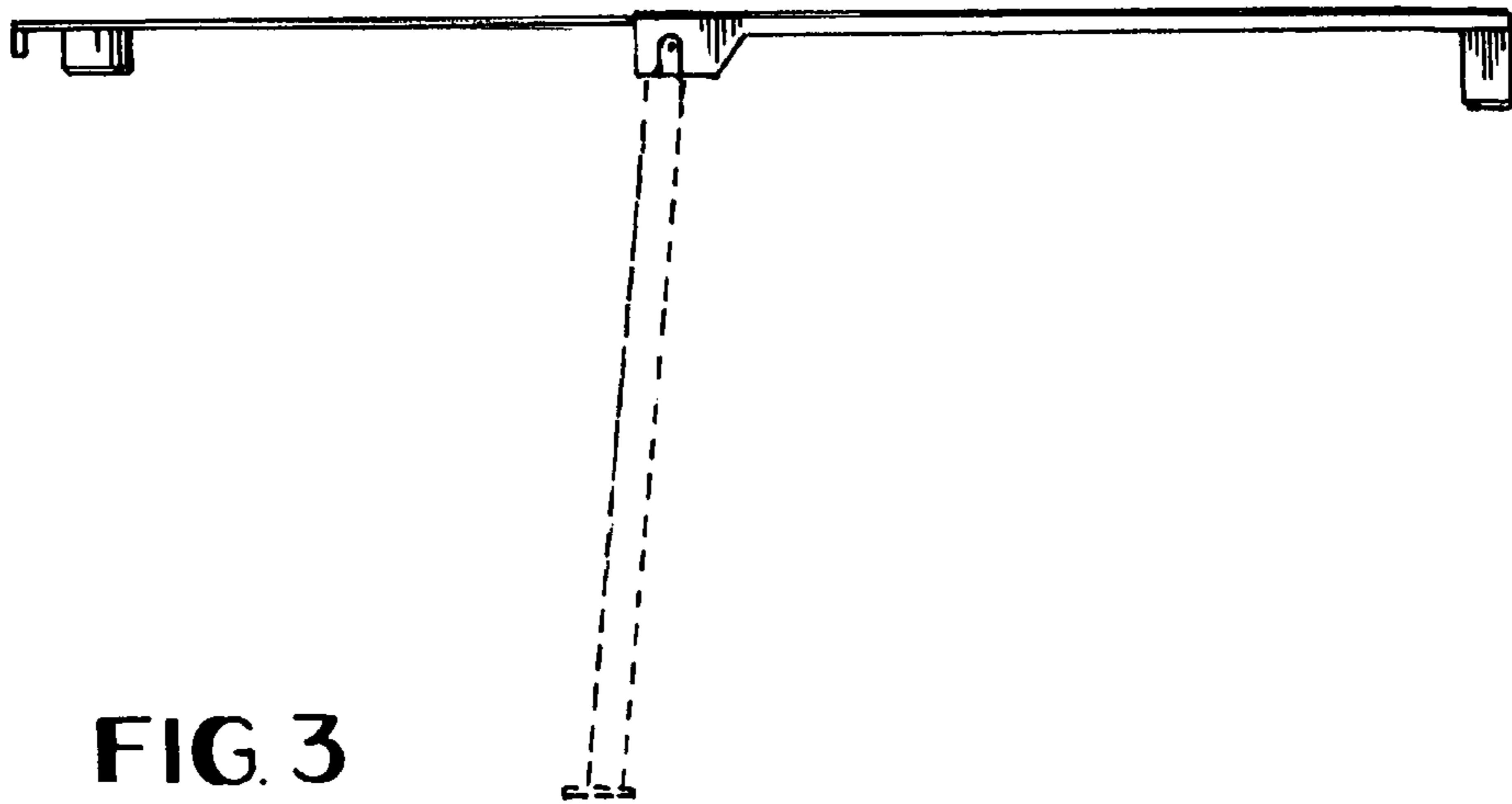


FIG. 2



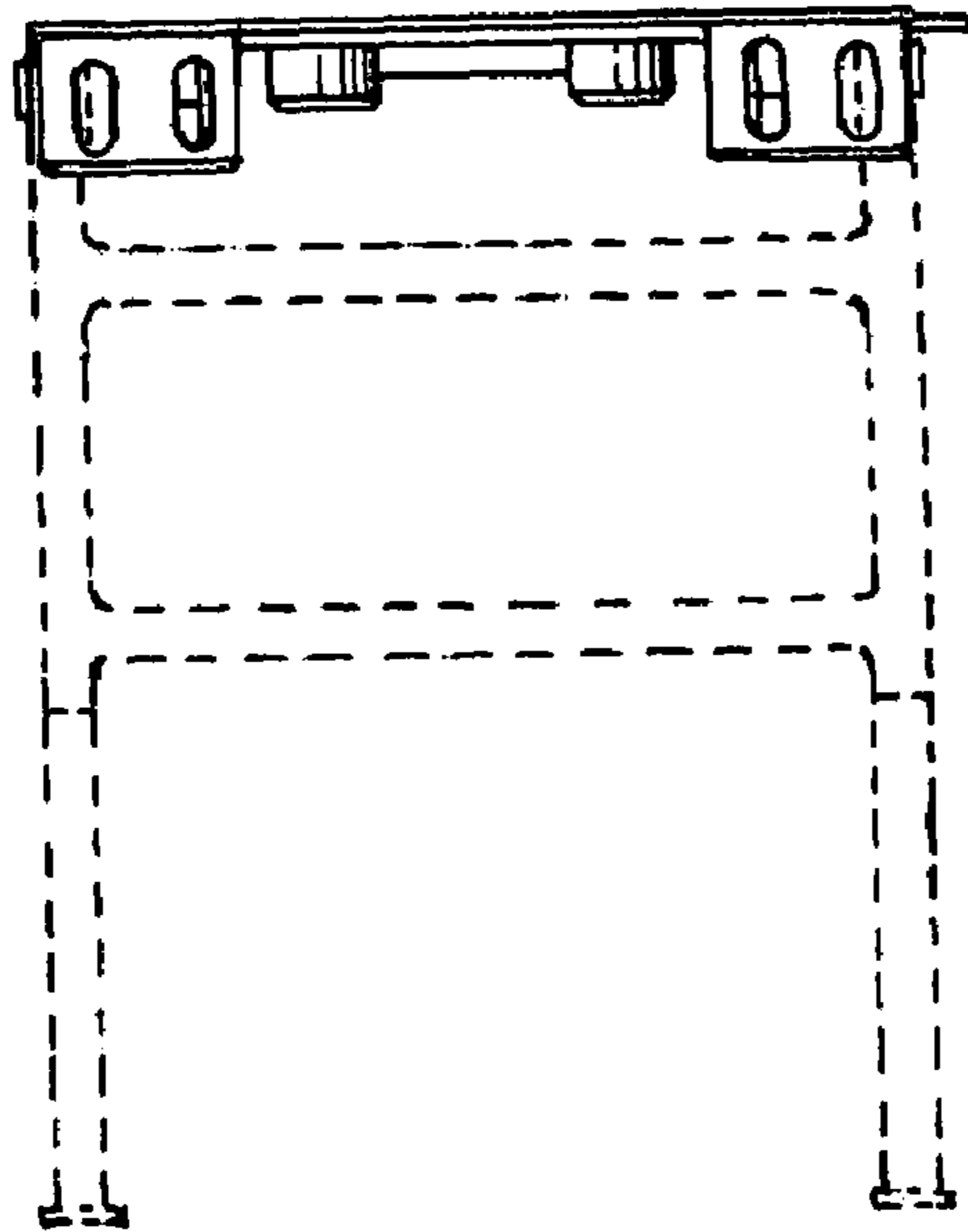


FIG. 6

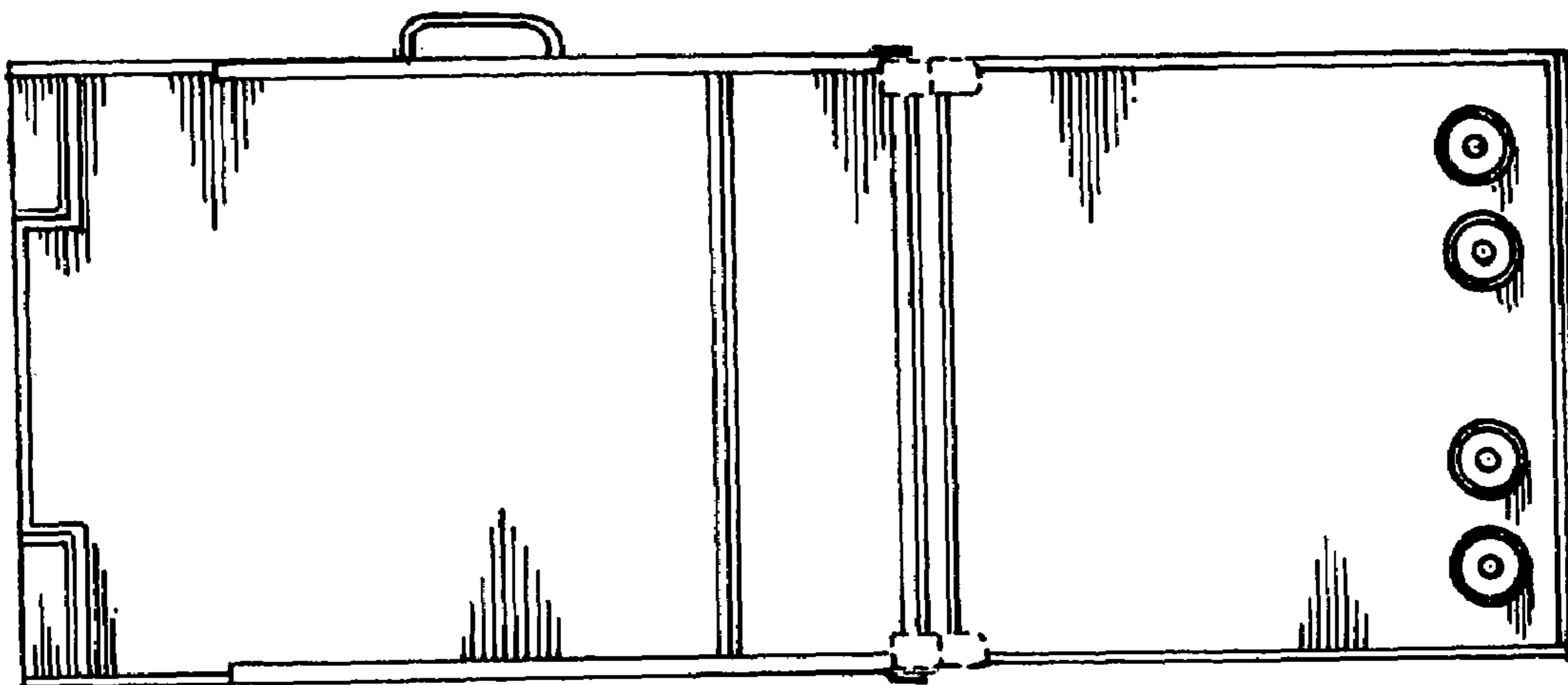


FIG. 7