



US00D568648S

(12) **United States Design Patent** (10) **Patent No.:** **US D568,648 S**
Roussel et al. (45) **Date of Patent:** **** May 13, 2008**

(54) **PORTION OF A CABINET SHELF**
(75) Inventors: **Denis Roussel**, East Hampton, CT
(US); **Charles E. Spencer**, Middlebury,
CT (US)
(73) Assignee: **The Durham Manufacturing
Company**, Durham, CT (US)
(**) Term: **14 Years**
(21) Appl. No.: **29/271,681**
(22) Filed: **Jan. 24, 2007**

D392,131 S * 3/1998 Flagg D6/511
D402,143 S * 12/1998 Zapf D6/510
D424,330 S * 5/2000 DeWitt D6/466
D431,403 S * 10/2000 Ford D6/511
6,302,369 B1 * 10/2001 Liebers et al. 248/205.3
D455,755 S * 4/2002 Levine et al. D14/447
D461,977 S * 8/2002 Mitchell D6/509
6,490,820 B1 * 12/2002 Weakley 40/651
D507,131 S * 7/2005 Pingel D6/491
D510,220 S * 10/2005 Sandy D6/511
D525,059 S 7/2006 Golias, Sr. et al.
7,128,379 B1 10/2006 LaBonia, Jr. et al.
D541,563 S * 5/2007 LaBonia et al. D6/511

* cited by examiner

(51) **LOC (8) Cl.** **06-06**
(52) **U.S. Cl.** **D6/511**
(58) **Field of Classification Search** D6/320-324,
D6/402, 411, 475, 449, 466, 481, 485, 491,
D6/509-511, 500, 547, 552, 566-567, 572,
D6/574, 580, 477, 479; D14/447; 33/527;
40/651; 108/27, 59, 108, 137; 211/14, 34,
211/35, 59.2, 135, 153; 248/205.3, 235,
248/243, 247, 250, 676; 312/108, 229
See application file for complete search history.

Primary Examiner—Mimosa De
Assistant Examiner—Ricky Pham
(74) *Attorney, Agent, or Firm*—Cantor Colburn LLP

(57) **CLAIM**

The ornamental design for a portion of a cabinet shelf, as shown and described.

DESCRIPTION

(56) **References Cited**

U.S. PATENT DOCUMENTS

2,211,113 A * 8/1940 Hall 312/229
2,926,978 A * 3/1960 Mitchell 312/108
D211,139 S * 5/1968 Norwak D6/510
3,548,505 A * 12/1970 Di Candilo 33/527
4,155,312 A * 5/1979 Thorkildson 108/137
D309,540 S * 7/1990 Suttles et al. D6/491
D311,285 S * 10/1990 Mastrodicasa D6/511
D314,114 S * 1/1991 Steinman D6/567
D323,091 S * 1/1992 Boschetto D6/574
D333,394 S * 2/1993 Warrington D6/485
D334,494 S * 4/1993 Stein D6/466
5,209,452 A * 5/1993 Goldberg 248/676
5,613,449 A * 3/1997 Pullman 108/108
5,702,011 A * 12/1997 Carroll 211/135

FIG. 1 is a top perspective view of a portion of a cabinet shelf;

FIG. 2 is a right side elevation view of the shelf portion of FIG. 1; and,

FIG. 3 is a front elevation view of the shelf portion of FIG. 1.

The dashed broken lines in FIGS. 1-3 represent environmental subject matter and form no part of the claimed invention. A top elevation view of the shelf portion of FIG. 1 is fully disclosed in the perspective view of FIG. 1. A left side elevation view of the shelf portion of FIG. 1 is a mirror image of the claimed subject matter of the right side elevation view of FIG. 2.

1 Claim, 3 Drawing Sheets

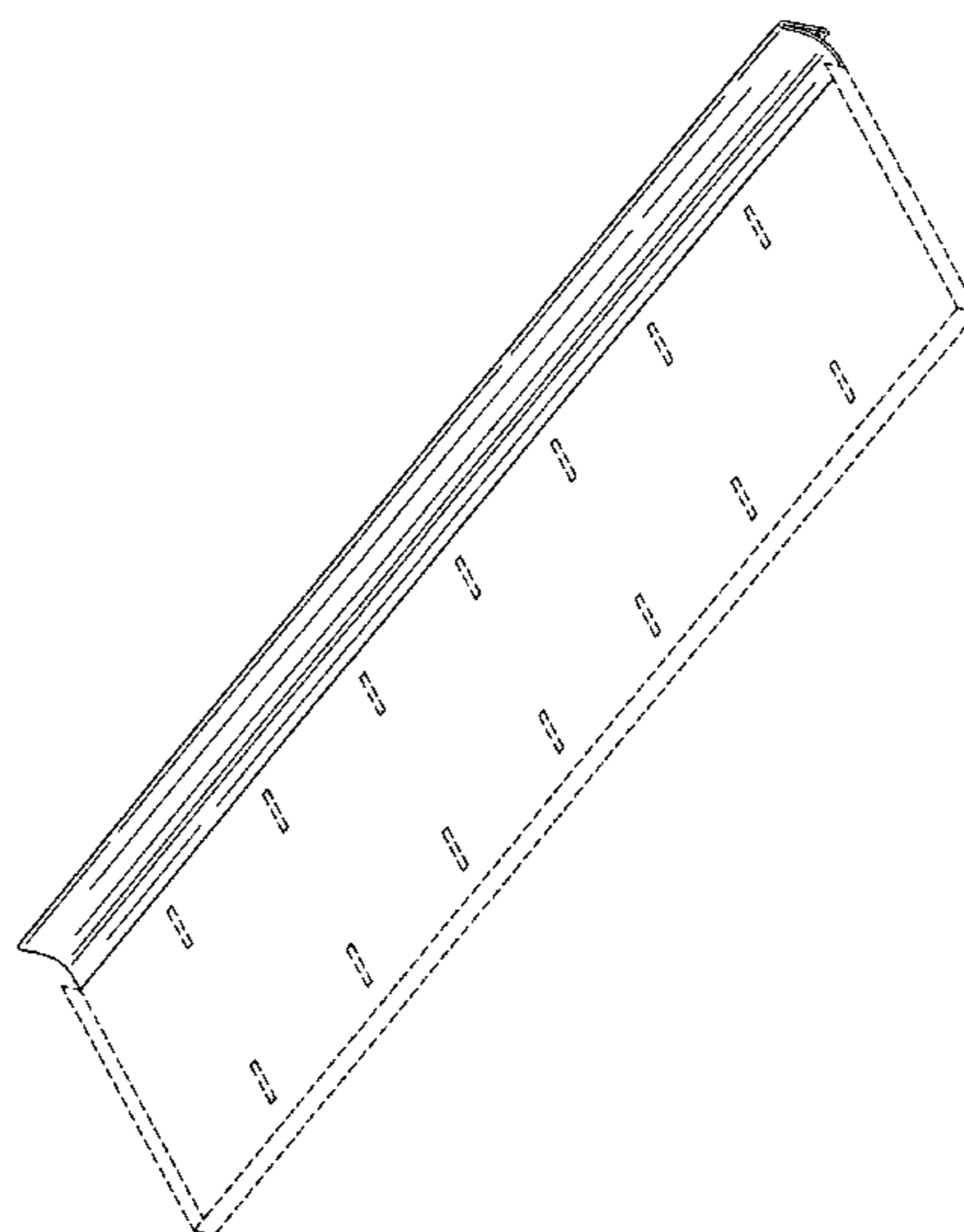


FIG. 1

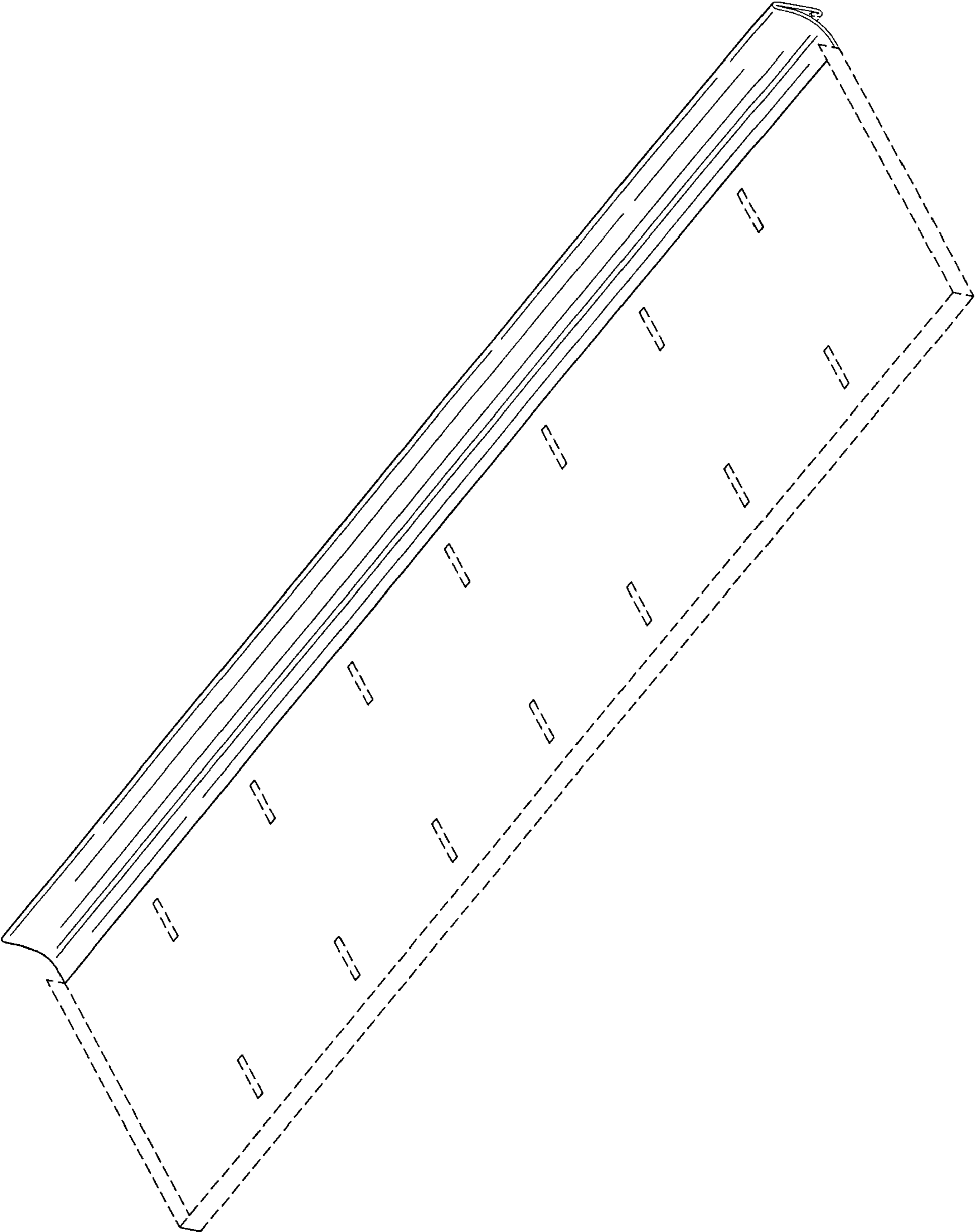


FIG. 2

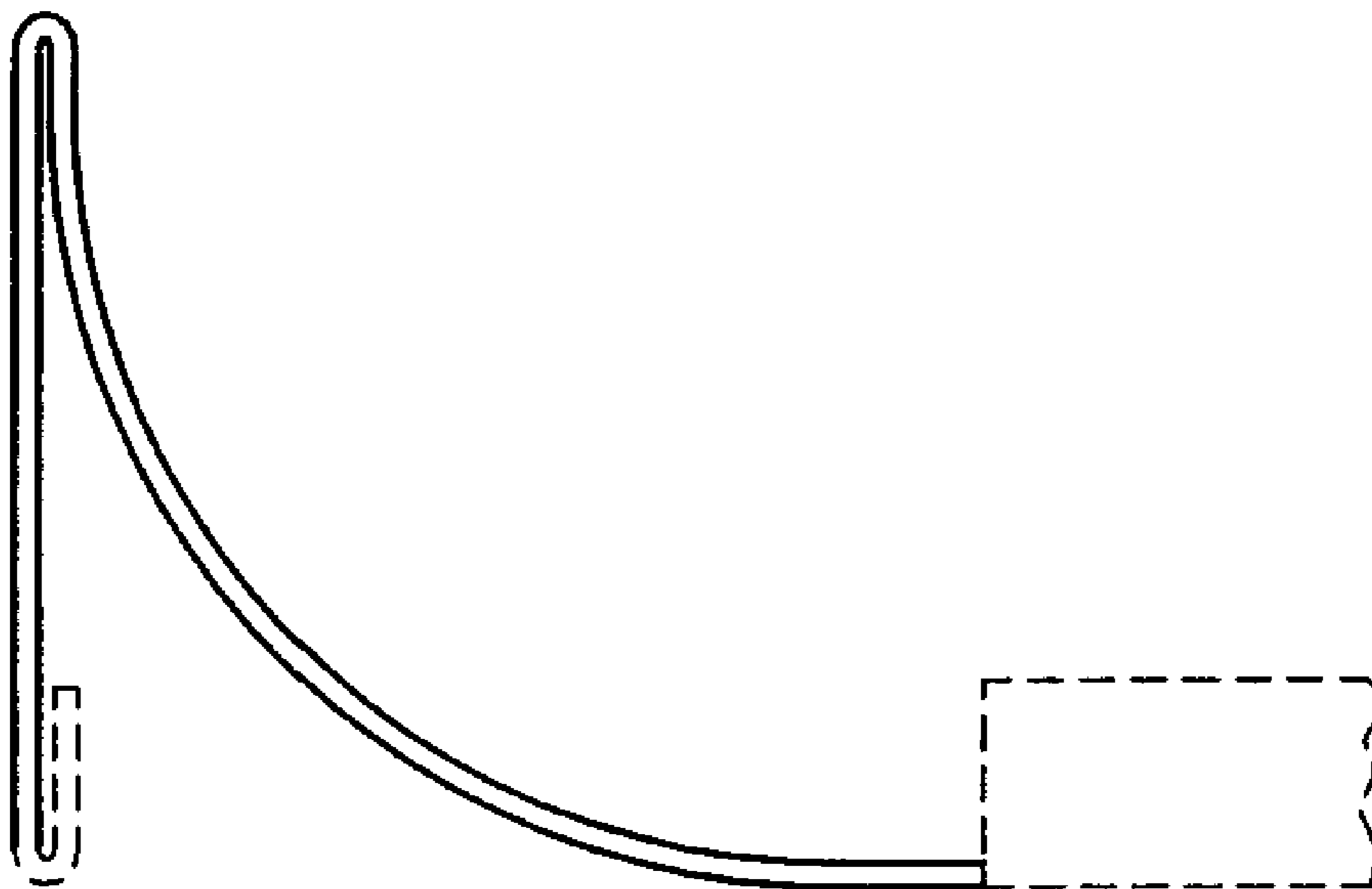
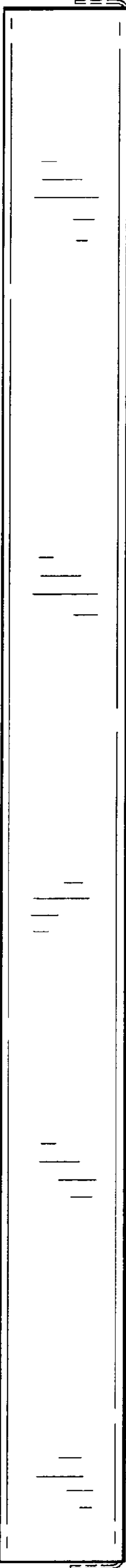
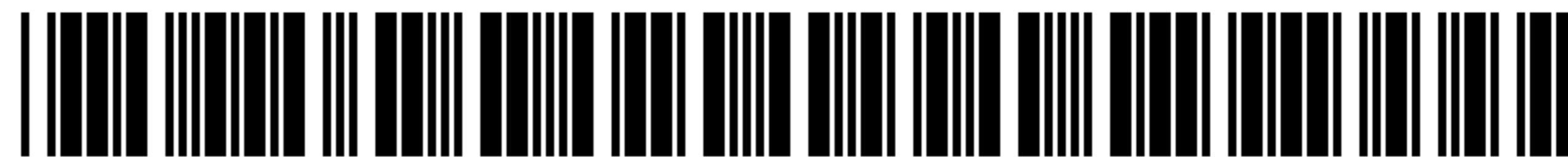


FIG. 3





US00D568648C1

(12) **EX PARTE REEXAMINATION CERTIFICATE** (8817th)
United States Patent
Roussel et al.

(10) **Number:** **US D568,648 C1**
(45) **Certificate Issued:** **Jan. 17, 2012**

(54) **PORTION OF A CABINET SHELF**
(75) Inventors: **Denis Roussel**, East Hampton, CT (US);
Charles E. Spencer, Middlebury, CT
(US)
(73) Assignee: **The Durham Manufacturing**
Company, Durham, CT (US)

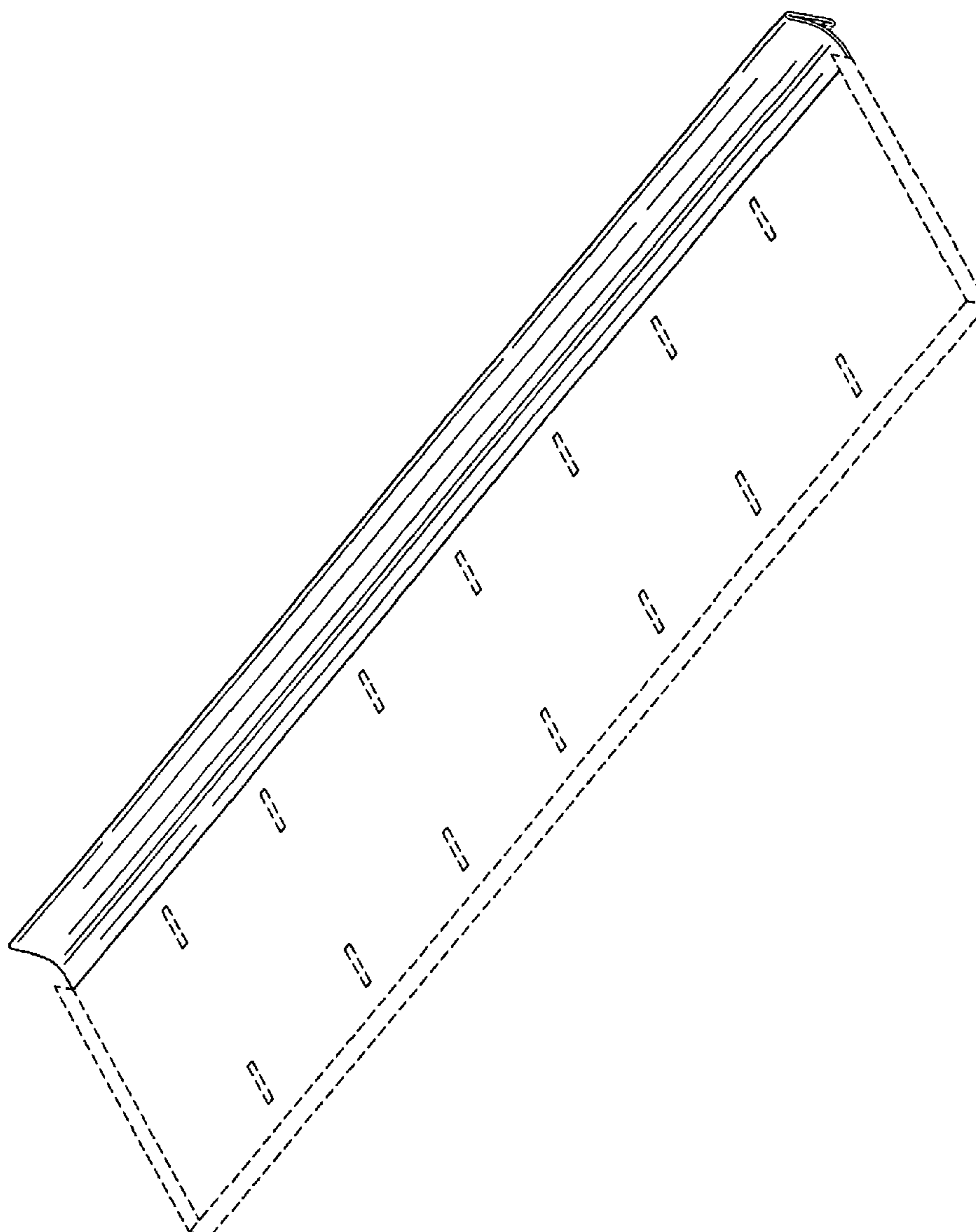
(52) **U.S. Cl.** **D6/511**
(58) **Field of Classification Search** D6/320-324,
D6/402, 411, 449, 466, 481, 485, 491, 509-511,
D6/500, 547, 552, 566-567, 572, 574, 580,
D6/477, 479; D14/447; 108/27, 59, 108,
108/137; 211/41.1, 135, 59.2, 153; 312/140.1,
312/140.4, 265.5, 229, 108; 248/205.3; D25/60,
D25/102, 119, 136, 138, 141, 164
See application file for complete search history.

Reexamination Request:
No. 90/009,796, Aug. 9, 2010

Reexamination Certificate for:
Patent No.: **Des. 568,648**
Issued: **May 13, 2008**
Appl. No.: **29/271,681**
Filed: **Jan. 24, 2007**

(56) **References Cited**
To view the complete listing of prior art documents cited during the proceeding for Reexamination Control Number 90/009,796, please refer to the USPTO's public Patent Application Information Retrieval (PAIR) system under the Display References tab.

(51) **LOC (9) Cl.** **06-06** *Primary Examiner—Adir Aronovich*



**EX PARTE
REEXAMINATION CERTIFICATE
ISSUED UNDER 35 U.S.C. 307**

The sole claim is cancelled.

The ornamental design for a portion of a cabinet shelf, as shown and described.

AS A RESULT OF REEXAMINATION, IT HAS BEEN
DETERMINED THAT:

* * * * *