

US00D568640S

(12) **United States Design Patent**
Thompson

(10) **Patent No.:** **US D568,640 S**

(45) **Date of Patent:** **** May 13, 2008**

(54) **FOOTBOARD BOTTOM CORNER**

(75) Inventor: **David W. Thompson**, New Albany, OH (US)

(73) Assignee: **American Signature, Inc.**, Columbus, OH (US)

(**) Term: **14 Years**

(21) Appl. No.: **29/296,434**

(22) Filed: **Oct. 20, 2007**

Related U.S. Application Data

(62) Division of application No. 29/255,980, filed on Mar. 14, 2006.

(51) **LOC (8) Cl.** **06-06**

(52) **U.S. Cl.** **D6/503; D6/495; D6/505**

(58) **Field of Classification Search** D6/382,
D6/389, 393-395, 505-508, 503, 491, 495,
D6/497, 493, 434; 5/53.1, 907, 279.1, 280,
5/281

See application file for complete search history.

(56) **References Cited**

U.S. PATENT DOCUMENTS

- D55,426 S 6/1920 Lipshitz
- D56,725 S 12/1920 Isaacs
- D63,662 S 12/1923 Schmitt
- D105,663 S 8/1937 Jiranek

- D159,660 S 8/1950 Nero
- D160,571 S 10/1950 Belanger
- D319,932 S 9/1991 Lauren
- D425,329 S * 5/2000 O'Hare D6/445
- D436,771 S * 1/2001 Zaidman D6/509
- D459,120 S * 6/2002 Stanton D6/505
- D473,064 S * 4/2003 O'Hare D6/389
- D481,220 S * 10/2003 Paus D6/393
- D505,577 S * 5/2005 Lenger D6/495
- D535,507 S * 1/2007 Schmitt D6/505

* cited by examiner

Primary Examiner—Janice E. Seeger

(74) *Attorney, Agent, or Firm*—Wood, Herron & Evans L.L.P.

(57) **CLAIM**

The ornamental design for a footboard bottom corner, as shown and described.

DESCRIPTION

FIG. 1 is a front elevational view of a footboard bottom corner showing my new design.

FIG. 2 is a left-side elevational view thereof.

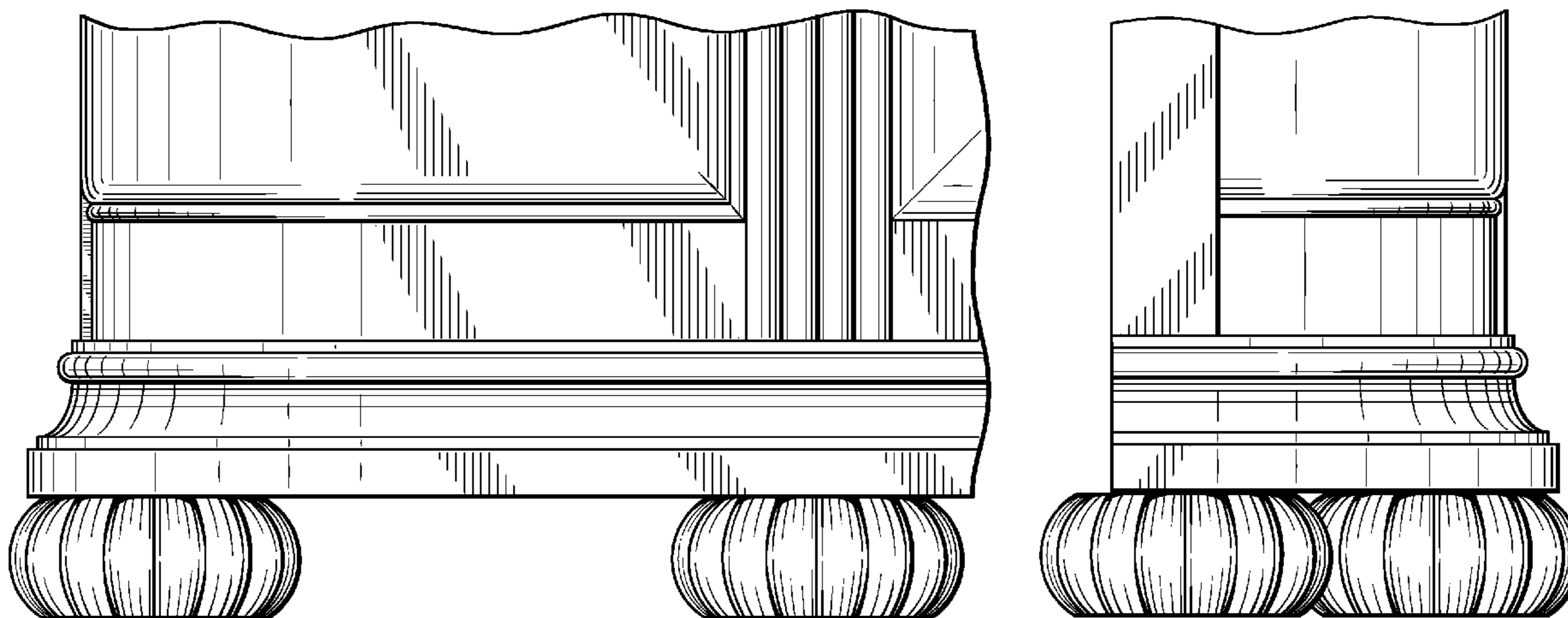
FIG. 3 is a right-side elevational view thereof.

FIG. 4 is a rear elevational view thereof.

FIG. 5 is a top plan view thereof; and,

FIG. 6 is a bottom plan view thereof.

1 Claim, 3 Drawing Sheets



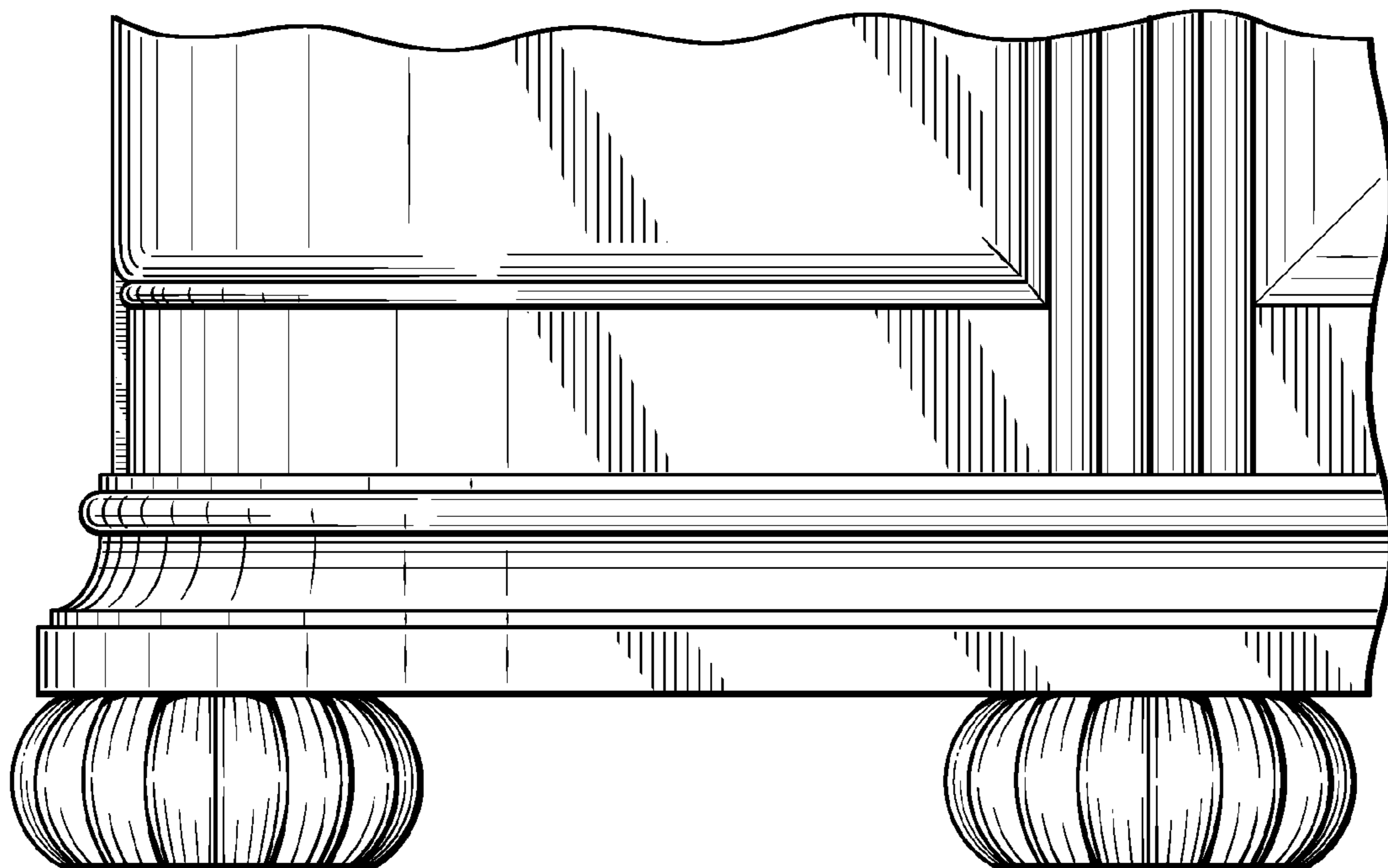


FIG. 1

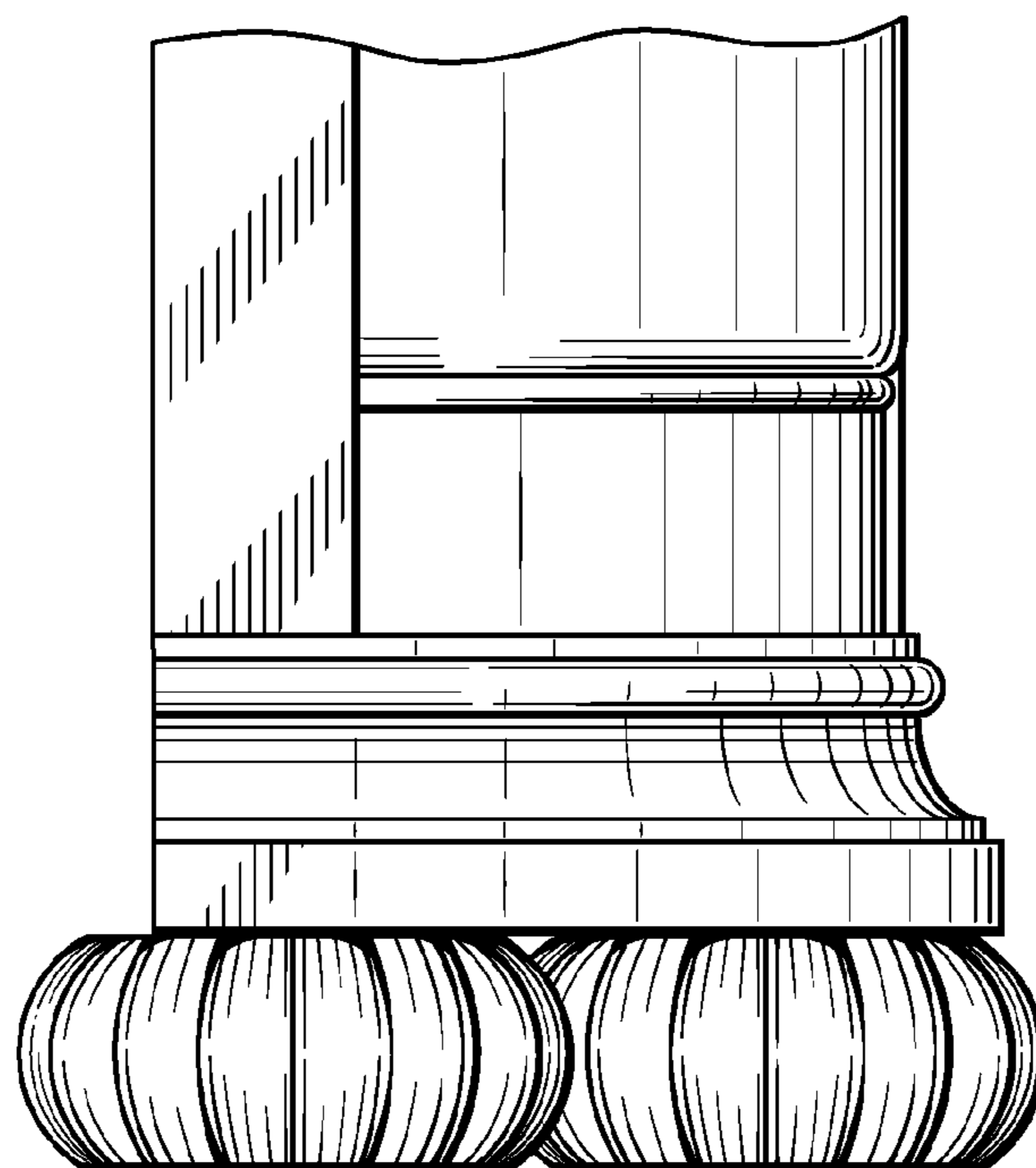


FIG. 2

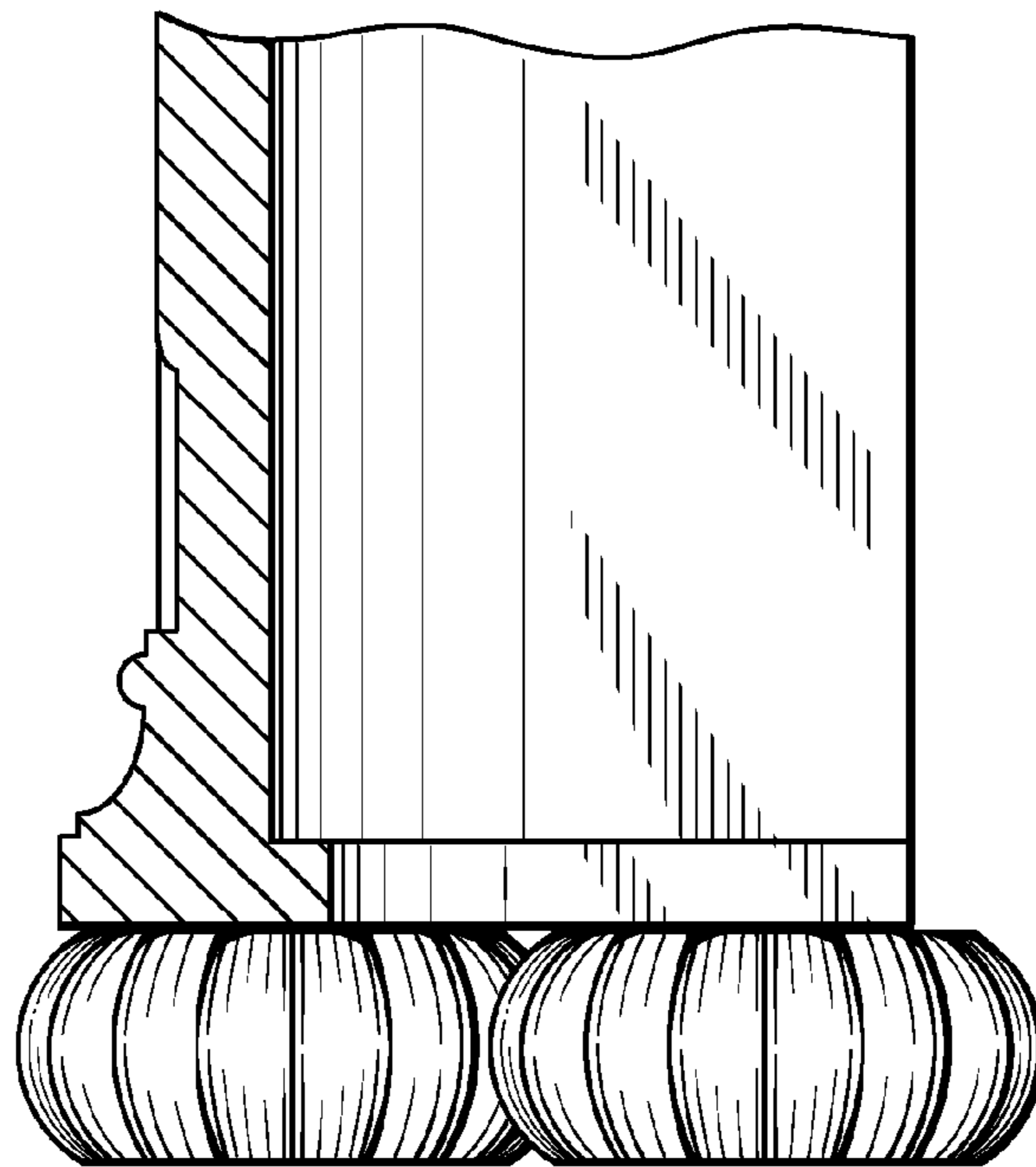


FIG. 3

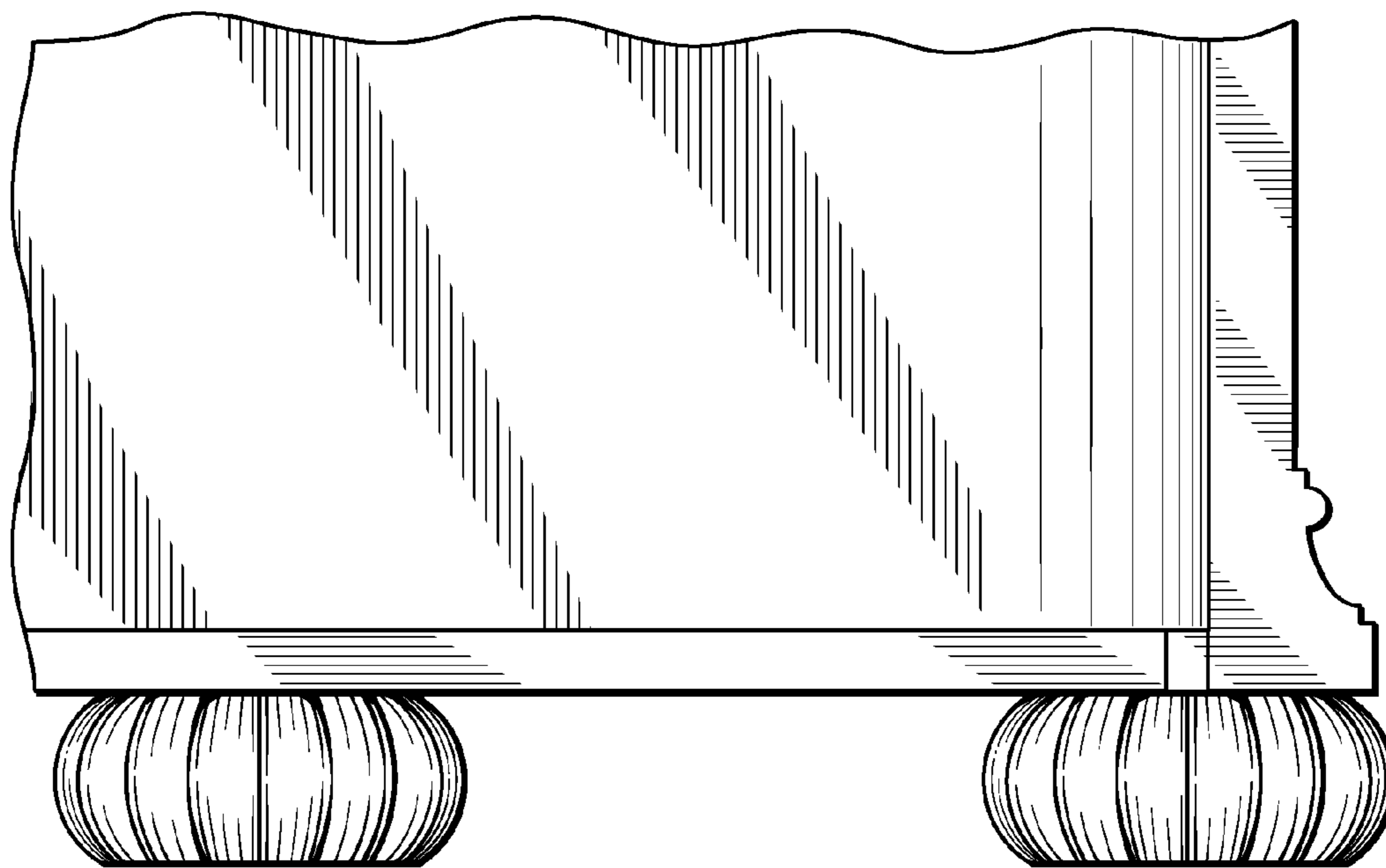


FIG. 4

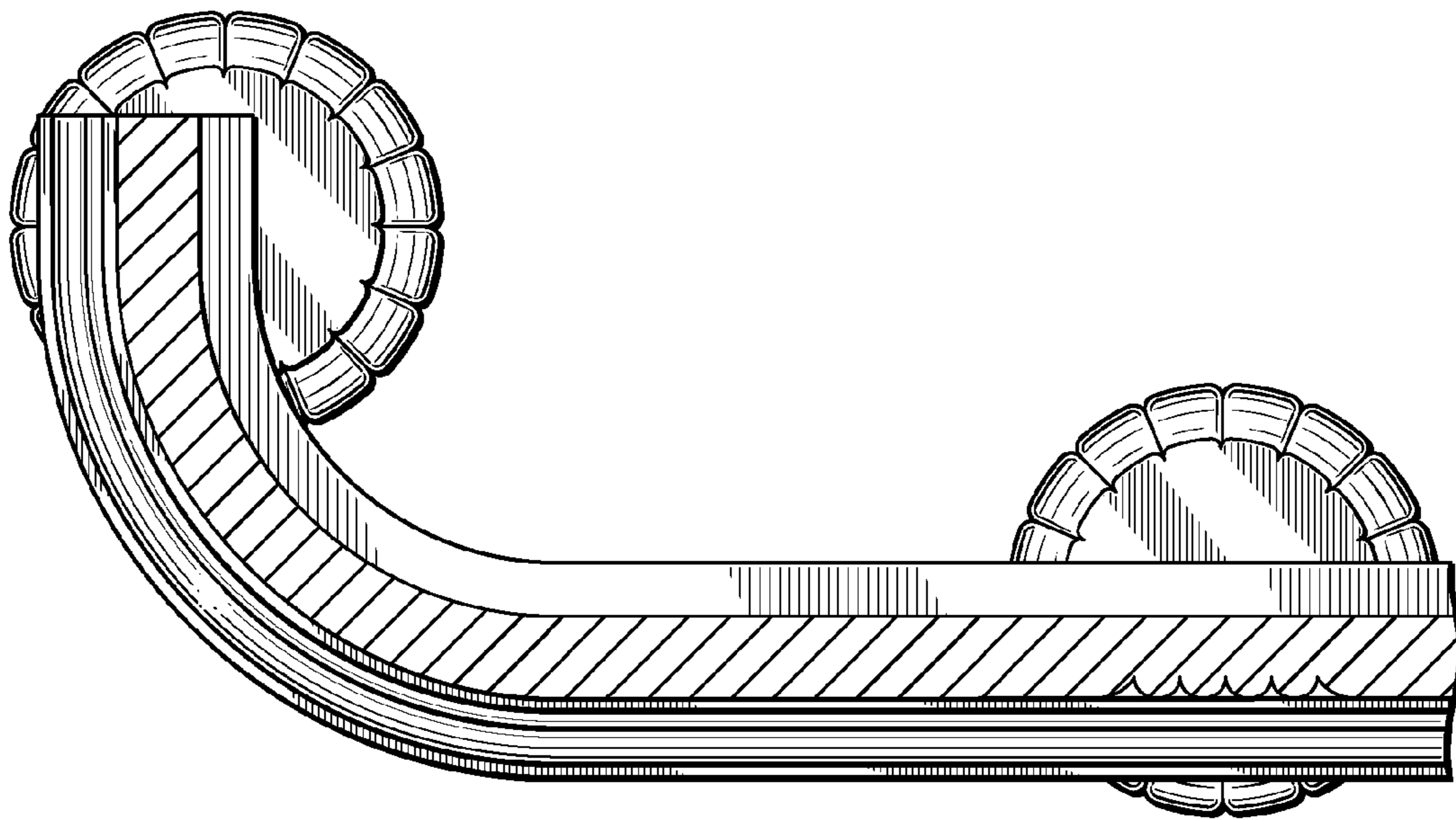


FIG. 5

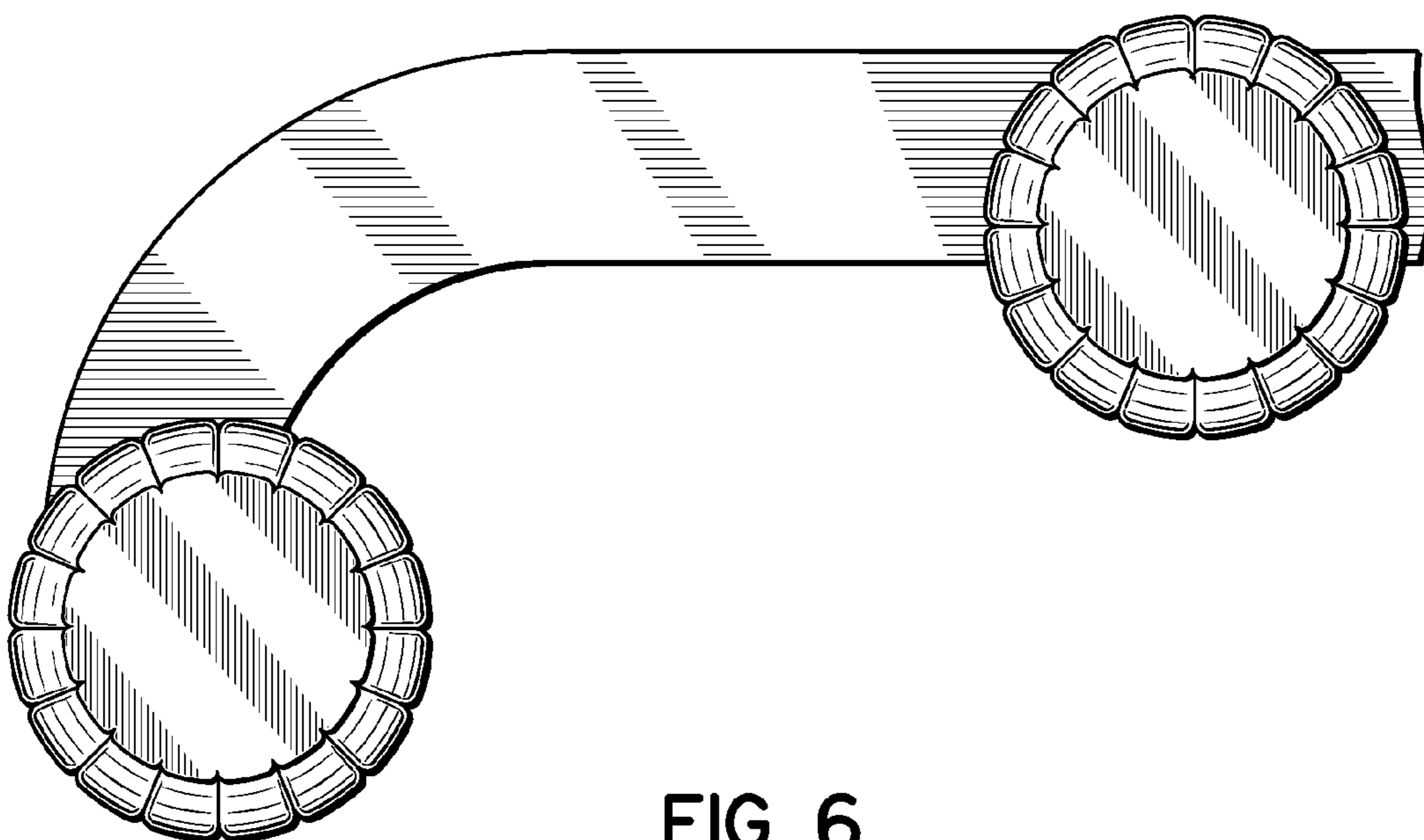


FIG. 6