



US00D568638S

(12) **United States Design Patent**
Lievore

(10) **Patent No.:** **US D568,638 S**

(45) **Date of Patent:** **** May 13, 2008**

(54) **TABLE**

(75) Inventor: **Alberto Lievore**, Barcelona (ES)

(73) Assignee: **Arper S.p.A.**, Monastier di Treviso (IT)

(**) Term: **14 Years**

(21) Appl. No.: **29/280,124**

(22) Filed: **May 17, 2007**

Related U.S. Application Data

(62) Division of application No. 29/241,489, filed on Oct. 27, 2005.

(30) **Foreign Application Priority Data**

May 6, 2005 (EM) 338645

(51) **LOC (8) Cl.** **06-03**

(52) **U.S. Cl.** **D6/486**

(58) **Field of Classification Search** D6/480-489,
D6/495-499, 511; 108/150, 151, 153.1,
108/155, 156, 157.1, 161; 248/188, 188.1,
248/188.7, 188.8

See application file for complete search history.

(56) **References Cited**

U.S. PATENT DOCUMENTS

D190,998 S * 8/1961 Schultz D6/486

D199,983 S * 1/1965 Carr D6/486
D234,932 S * 4/1975 Burke D6/486
D236,301 S * 8/1975 Mudde D6/486
D249,300 S * 9/1978 Szabo et al. D6/486
D290,318 S * 6/1987 Berry, Jr. D6/486
D326,572 S * 6/1992 Mackie D6/486

* cited by examiner

Primary Examiner—Janice E. Seeger

(74) *Attorney, Agent, or Firm*—Scully, Scott, Murphy & Presser, P.C.

(57) **CLAIM**

The ornamental design for a “table”, as shown and described.

DESCRIPTION

FIG. 1 is a bottom plan view of the a “table”, showing my new and ornamental design;

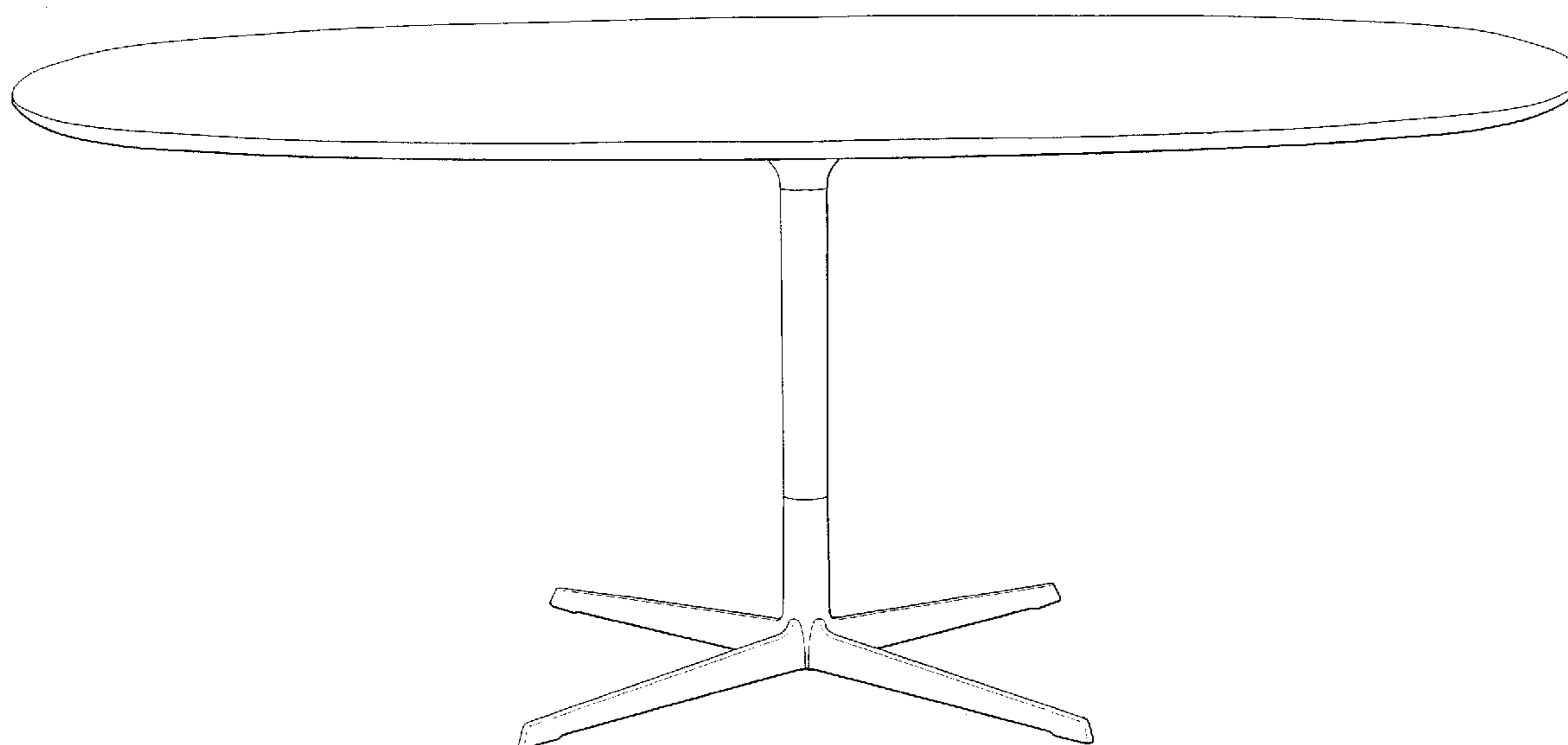
FIG. 2 is an end view, the opposite end being a mirror-image thereof;

FIG. 3 is a front side view, the opposite side being a mirror-image thereof;

FIG. 4 is a top plan view thereof; and,

FIG. 5 is a front and top perspective view thereof.

1 Claim, 5 Drawing Sheets



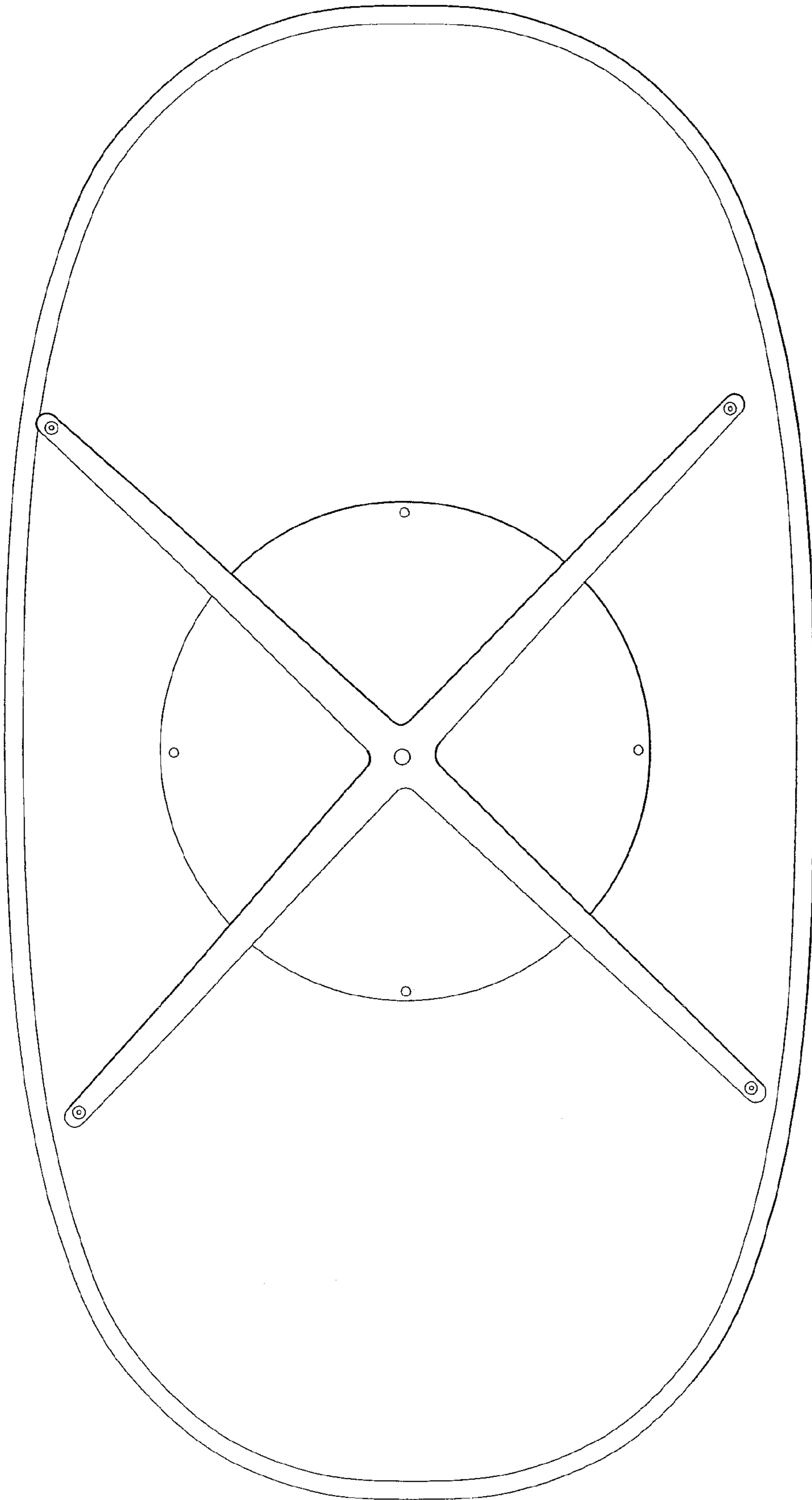


Fig. 1

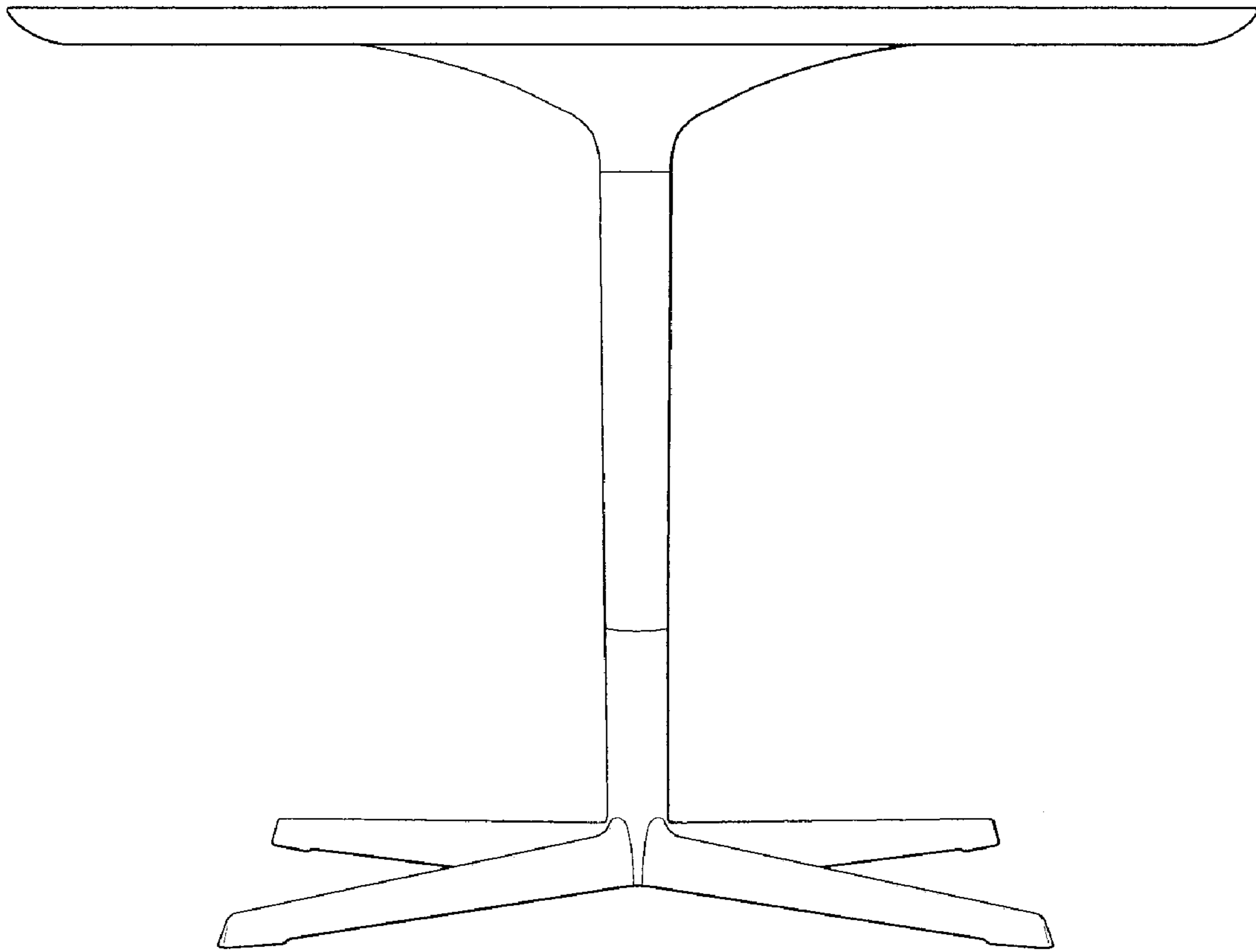


Fig. 2

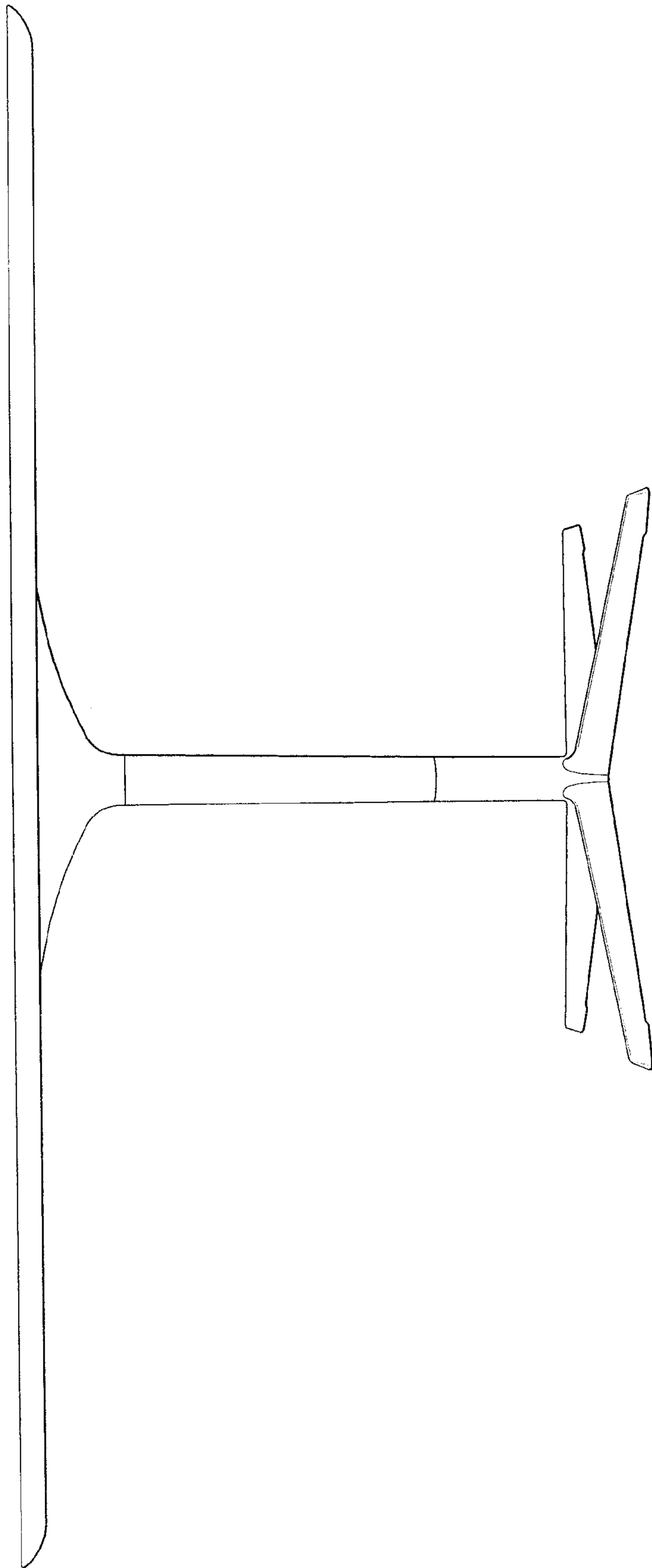


Fig. 3

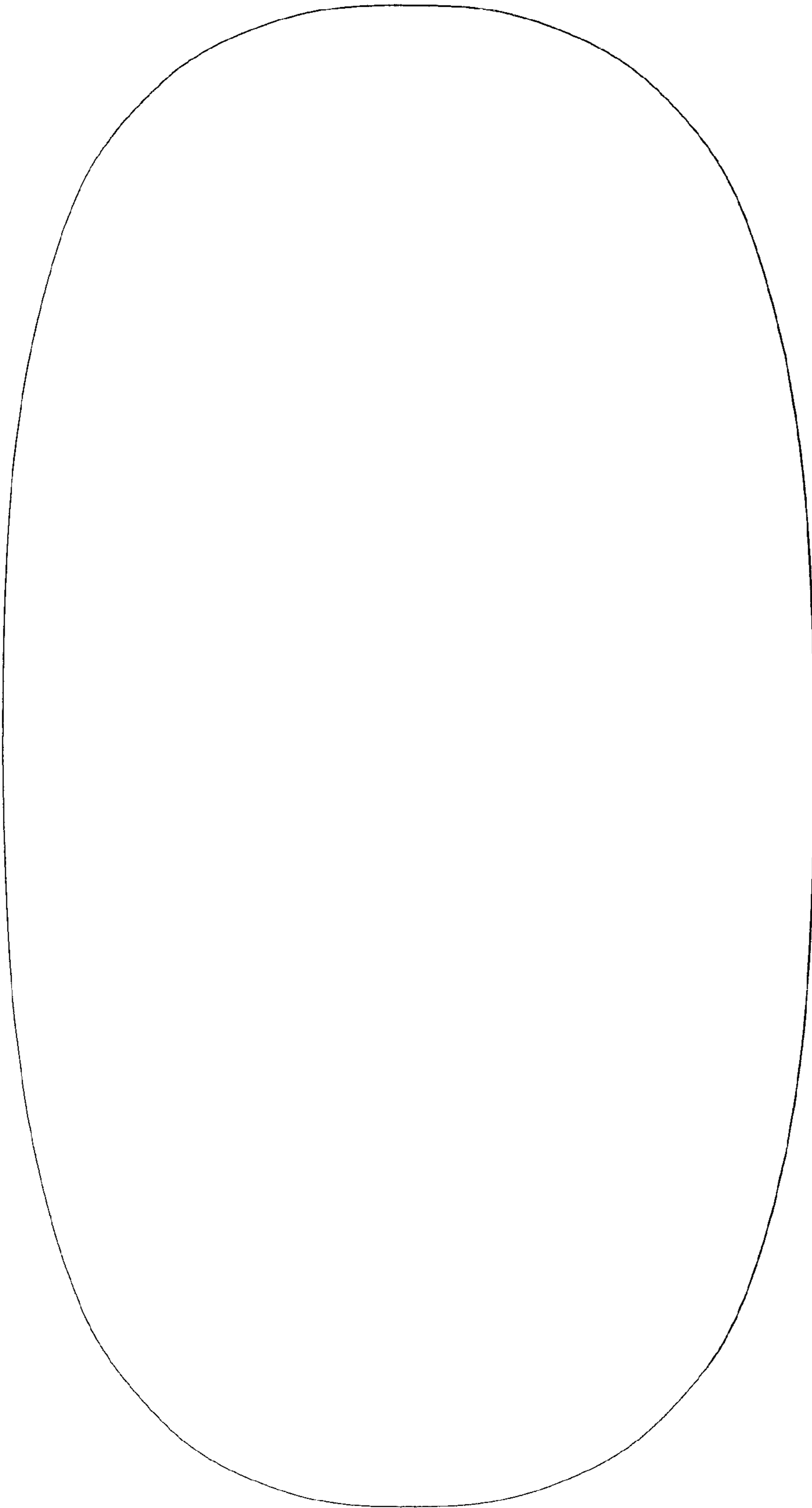


Fig. 4

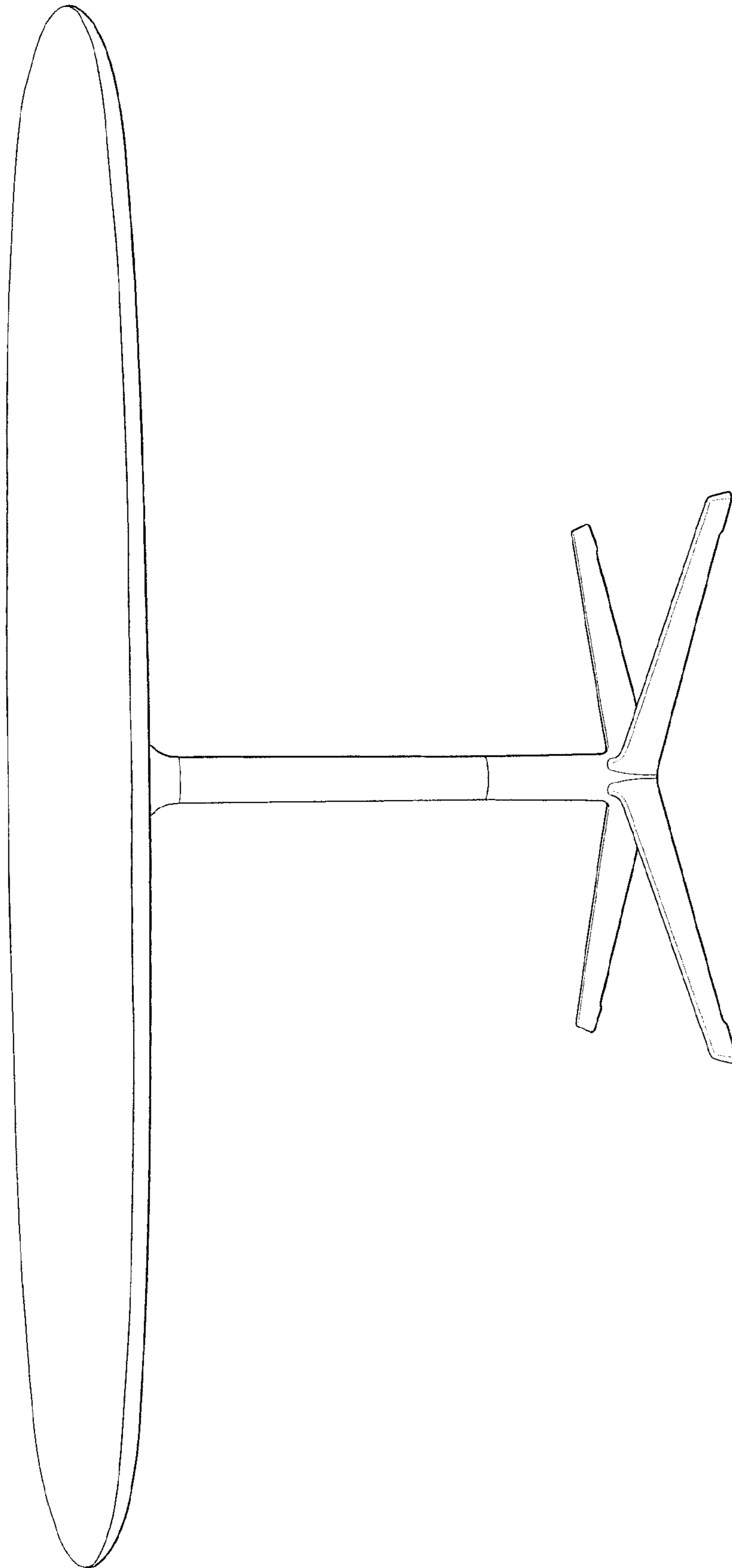


Fig. 5