



US00D568637S

(12) **United States Design Patent** (10) **Patent No.:** **US D568,637 S**
Everson et al. (45) **Date of Patent:** **** May 13, 2008**

(54) **COCKTAIL TABLE**

D535,498 S 1/2007 Domack et al.
D539,567 S 4/2007 Domack et al.

(75) Inventors: **Terry A. Everson**, Blair, WI (US);
Randy D. Domack, Trempealeau, WI (US)

OTHER PUBLICATIONS

(73) Assignee: **Ashley Furniture Industries, Inc.**,
Arcadia, WI (US)

Ashley T993, prior to Dec. 26, 2006.
Ashley T970, prior to Dec. 26, 2006.
Ashley T947, prior to Dec. 26, 2006.
TS Berry-Cocktail, prior to Dec. 26, 2006.

(**) Term: **14 Years**

* cited by examiner

(21) Appl. No.: **29/270,518**

Primary Examiner—Janice E. Seeger
(74) *Attorney, Agent, or Firm*—Patterson, Thunte, Skaar & Christensen, P.A.

(22) Filed: **Dec. 26, 2006**

(51) **LOC (8) Cl.** **06-03**

(52) **U.S. Cl.** **D6/480**

(58) **Field of Classification Search** D6/480–489,
D6/495–499, 511, 429–431; 108/150, 153.1,
108/155, 156, 157.17, 161; 248/188, 188.1,
248/188.7, 188.8

See application file for complete search history.

(57) **CLAIM**

The ornamental design for a cocktail table, as shown and described.

DESCRIPTION

FIG. 1 is a perspective view of a cocktail table according to an embodiment of the invention.

FIG. 2 is an overhead view of a cocktail table according to an embodiment of the invention.

FIG. 3 is a side view of a cocktail table according to an embodiment of the invention, the view from the opposite side being a mirror-image thereto; and,

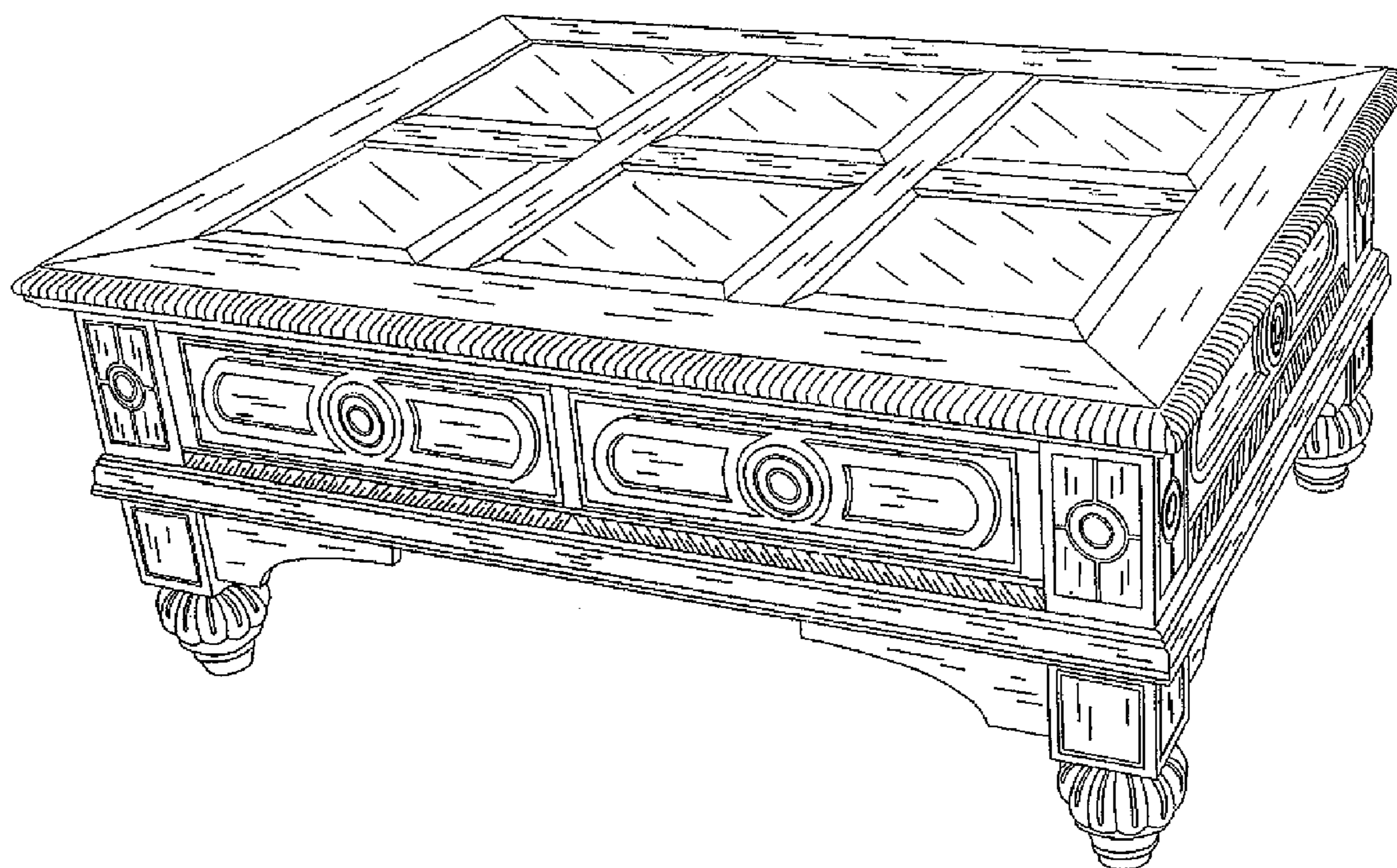
FIG. 4 is an end view of a cocktail table according to an embodiment of the invention, the view from the opposite end being a mirror-image thereto.

(56) **References Cited**

U.S. PATENT DOCUMENTS

D282,799 S * 3/1986 Doezenia D6/495
D414,057 S * 9/1999 Walters et al. D6/480
D446,975 S 8/2001 Stanton
D450,493 S * 11/2001 McDaniel et al. D6/480
D493,049 S * 7/2004 Domack D6/480
D525,055 S 7/2006 Domack et al.
D531,431 S 11/2006 Domack et al.
D532,999 S 12/2006 Domack et al.

1 Claim, 4 Drawing Sheets



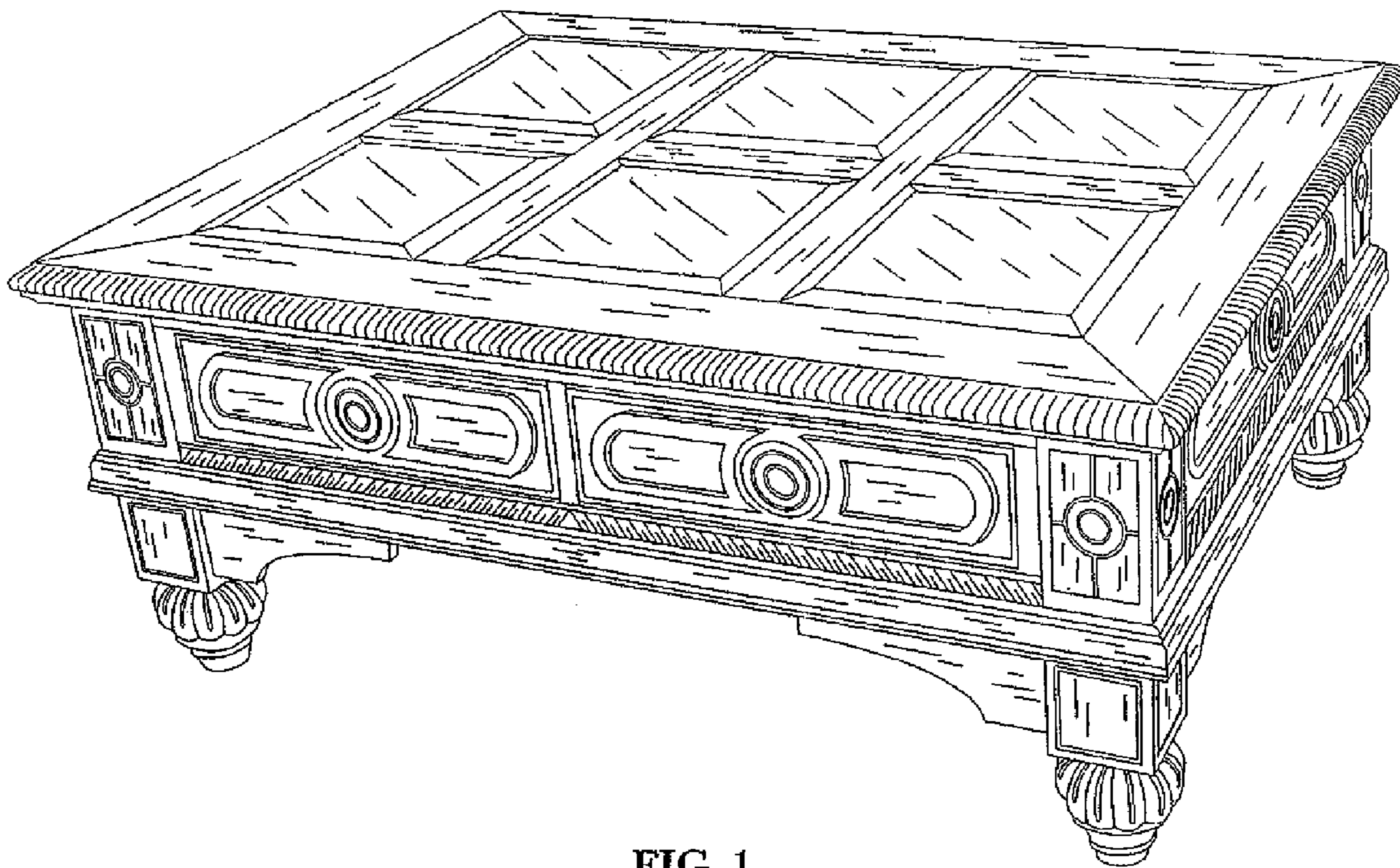


FIG. 1

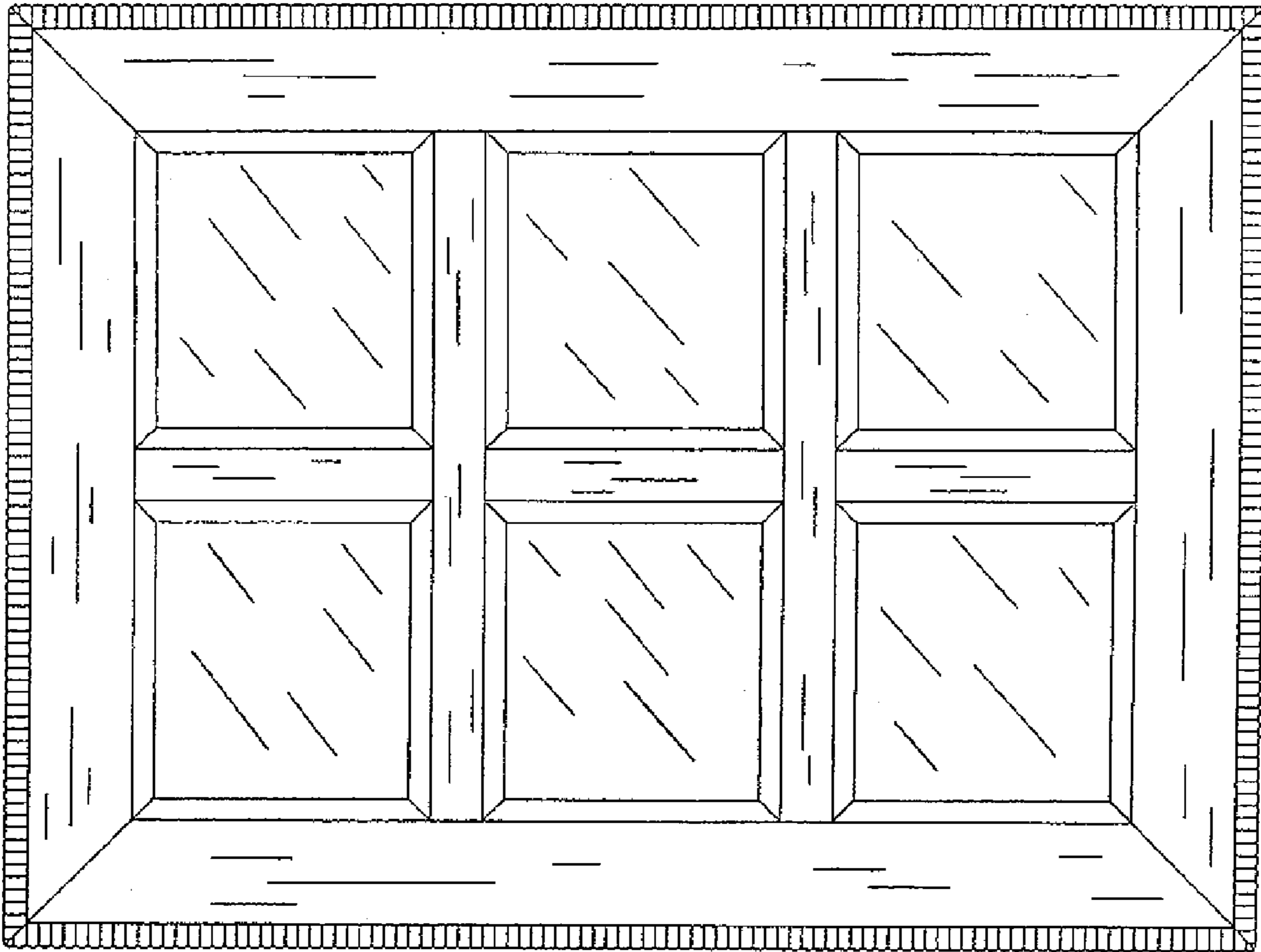


FIG. 2

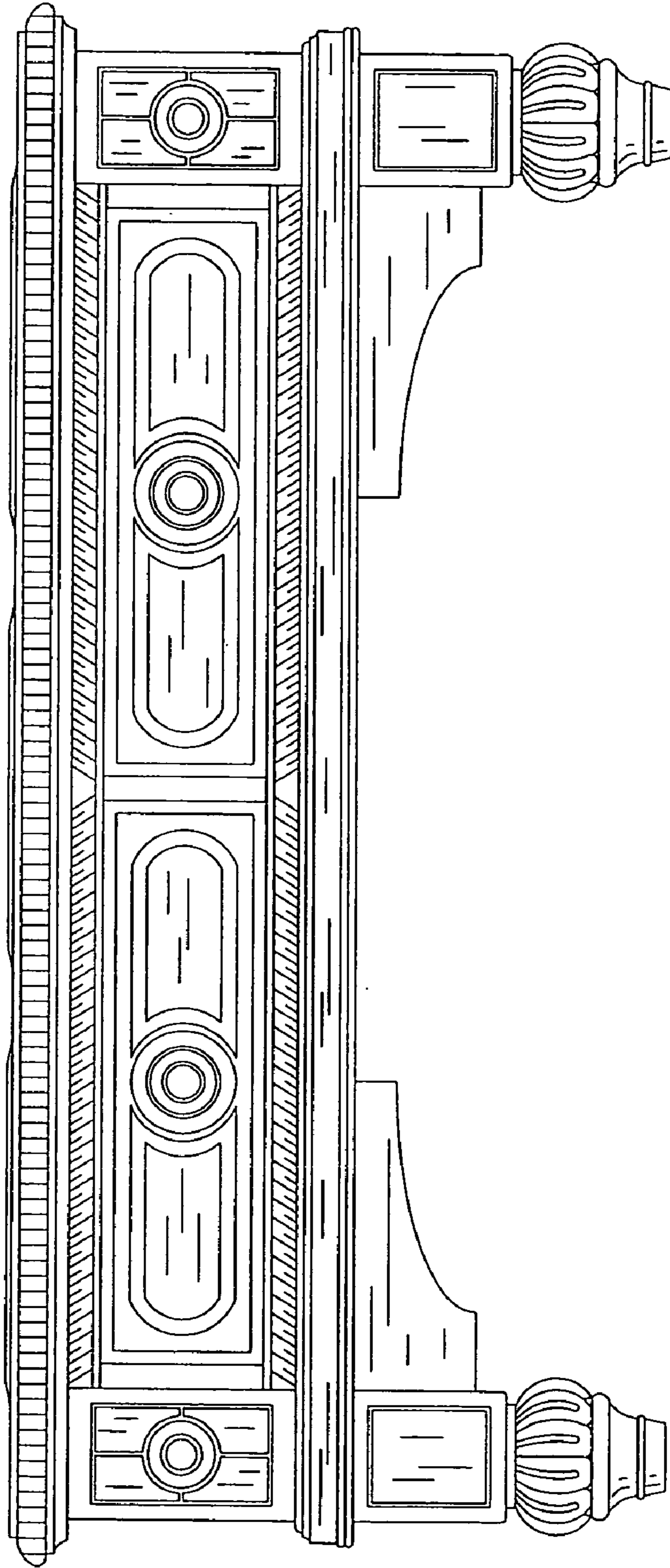


FIG. 3

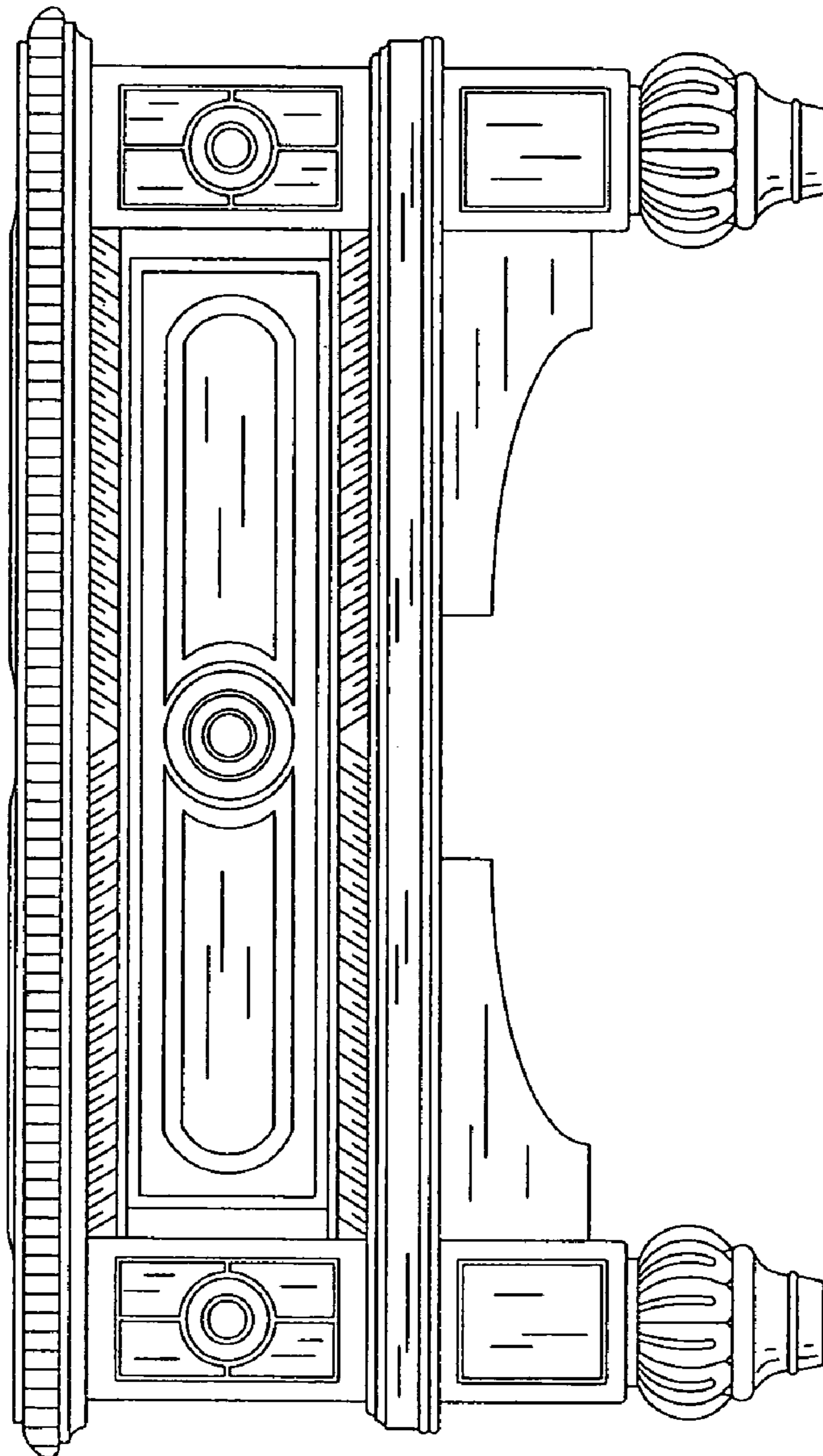


FIG. 4