



US00D568635S

(12) **United States Design Patent**  
**Klein et al.**

(10) **Patent No.:** **US D568,635 S**

(45) **Date of Patent:** **\*\* May 13, 2008**

(54) **DOUBLE TIER SLIDING DRAWER**

(75) Inventors: **Richard B. Klein**, Overland Park, KS (US); **Mark A. Etter**, Independence, MO (US)

(73) Assignee: **Lynk, Inc.**, Lenexa, KS (US)

(\*\*) Term: **14 Years**

(21) Appl. No.: **29/277,389**

(22) Filed: **Feb. 23, 2007**

(51) **LOC (8) Cl.** ..... **06-04**

(52) **U.S. Cl.** ..... **D6/465**

(58) **Field of Classification Search** ..... D3/306;  
D6/405-415, 449, 455-458, 461-468, 474-476,  
D6/510, 513, 525, 566; D7/323, 354-361,  
D7/388, 402, 409, 605; D8/370; D19/78,  
D19/83, 86, 92; D34/21; 206/507, 513;  
211/11, 13.1, 33, 134, 85.25, 85.31, 85.4,  
211/133.2, 186-191, 194, 181.1; 248/166,  
248/220.42, 302; 312/330.1, 334.27, 408-410  
See application file for complete search history.

(56) **References Cited**

**U.S. PATENT DOCUMENTS**

3,280,989 A \* 10/1966 Melvin et al. .... 211/133.2  
D341,459 S \* 11/1993 Yang ..... D34/21  
5,996,812 A \* 12/1999 Sokol, Jr. .... 211/11  
D436,239 S \* 1/2001 Walsh ..... D34/21  
6,173,847 B1 \* 1/2001 Zellner et al. .... 211/186

D450,481 S \* 11/2001 Post ..... D6/465  
D460,848 S \* 7/2002 Tzeng ..... D34/21  
D471,033 S \* 3/2003 Yamaguchi ..... D6/465  
D471,381 S \* 3/2003 Yamaguchi ..... D6/465  
D472,735 S \* 4/2003 Haugen ..... D6/462  
D517,769 S \* 3/2006 Post et al. .... D34/21  
D547,094 S \* 7/2007 Klein et al. .... D6/462  
D547,982 S \* 8/2007 Yang et al. .... D6/510

\* cited by examiner

*Primary Examiner*—Mimosa De

*Assistant Examiner*—Ricky Pham

(74) *Attorney, Agent, or Firm*—Husch Blackwell Sanders

(57) **CLAIM**

The ornamental design for a double tier sliding drawer, as shown and described.

**DESCRIPTION**

FIG. 1 is a perspective view of a double tier sliding drawer showing our new design;

FIG. 2 is a side elevational view thereof taken from the left side of FIG. 1;

FIG. 3 is a side elevational view thereof taken from the right side of FIG. 1;

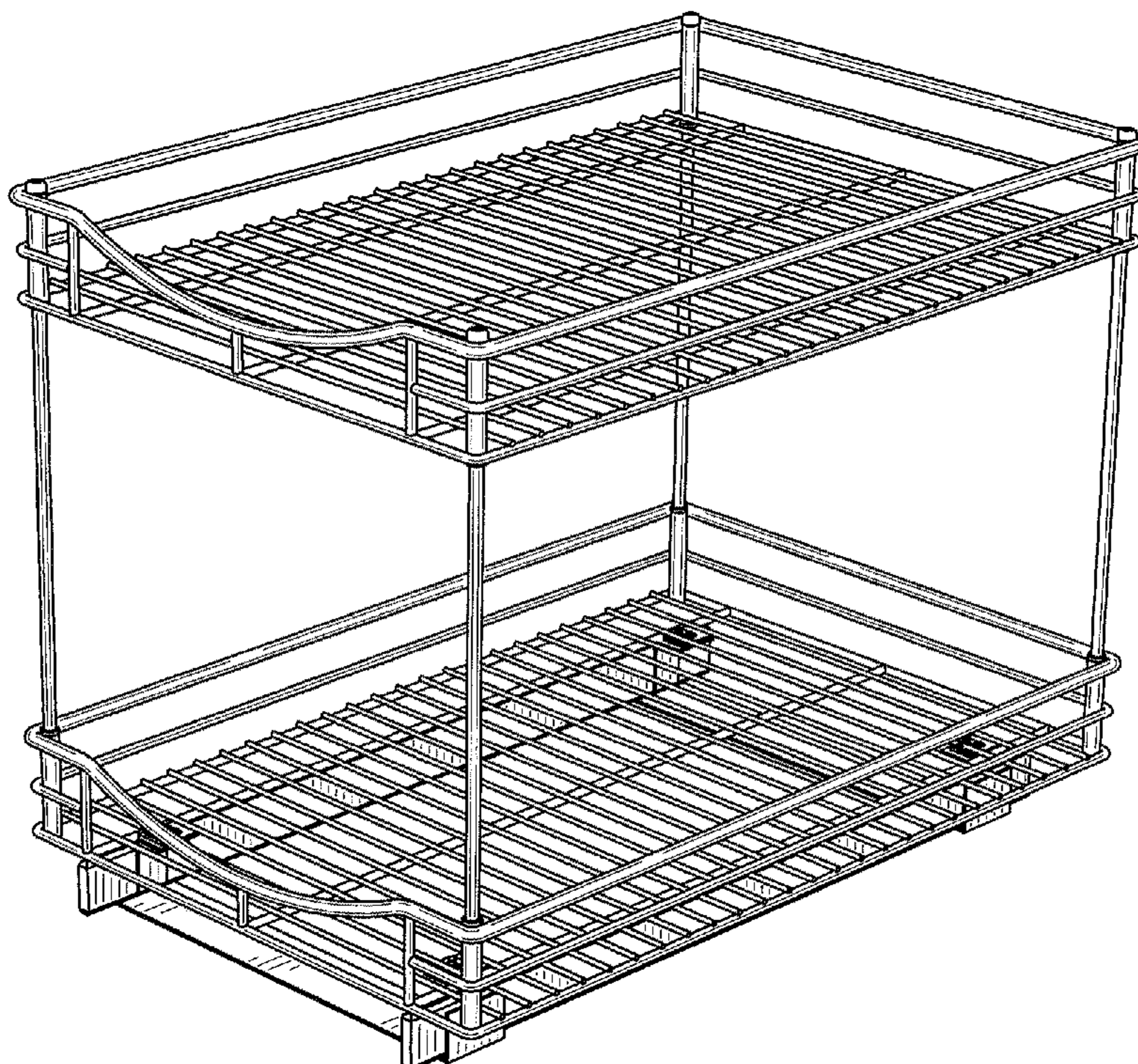
FIG. 4 is a front elevational view thereof;

FIG. 5 is a rear elevational view thereof;

FIG. 6 is top plan view thereof; and,

FIG. 7 is a bottom plan view thereof.

**1 Claim, 7 Drawing Sheets**



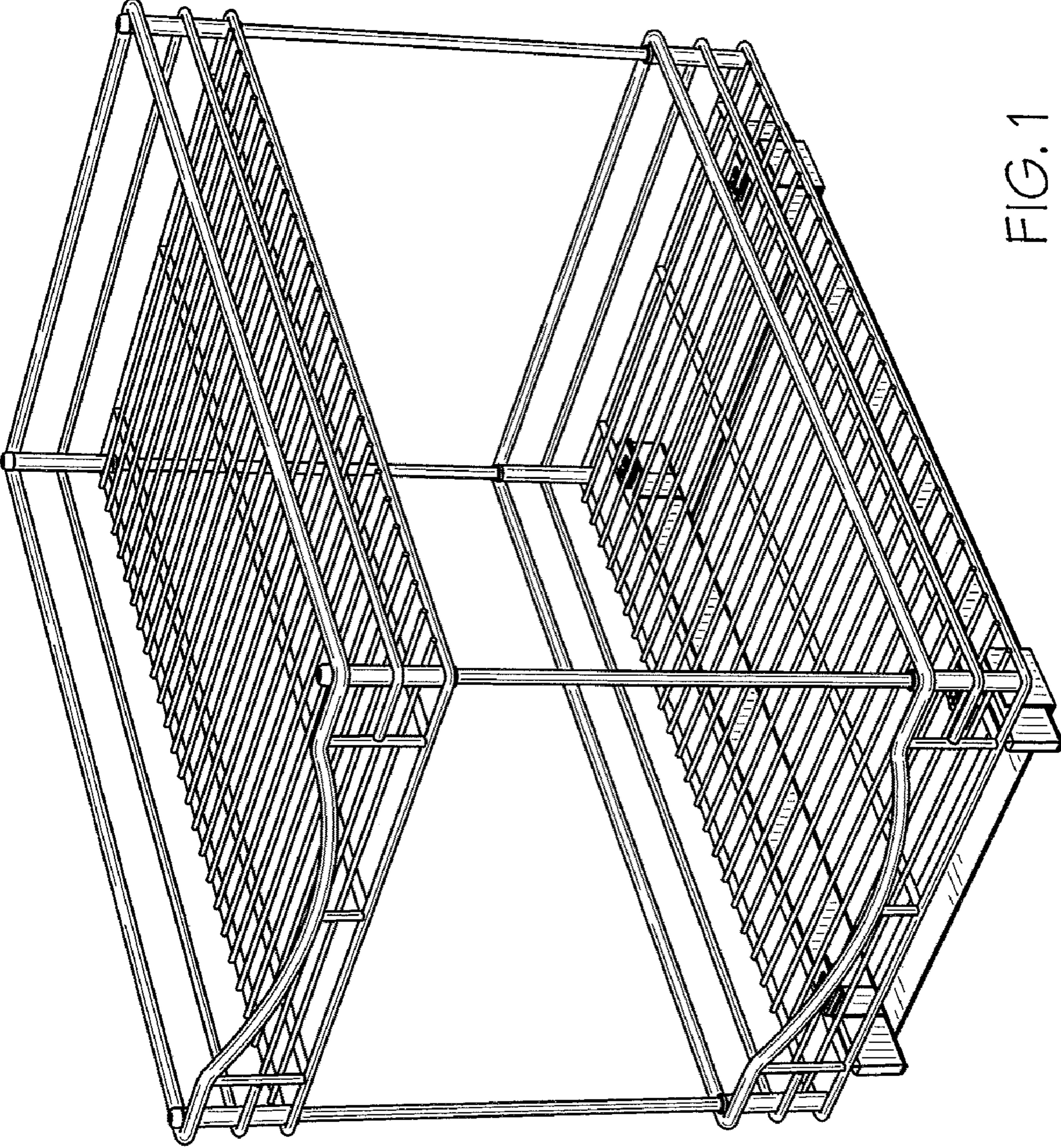


FIG. 1

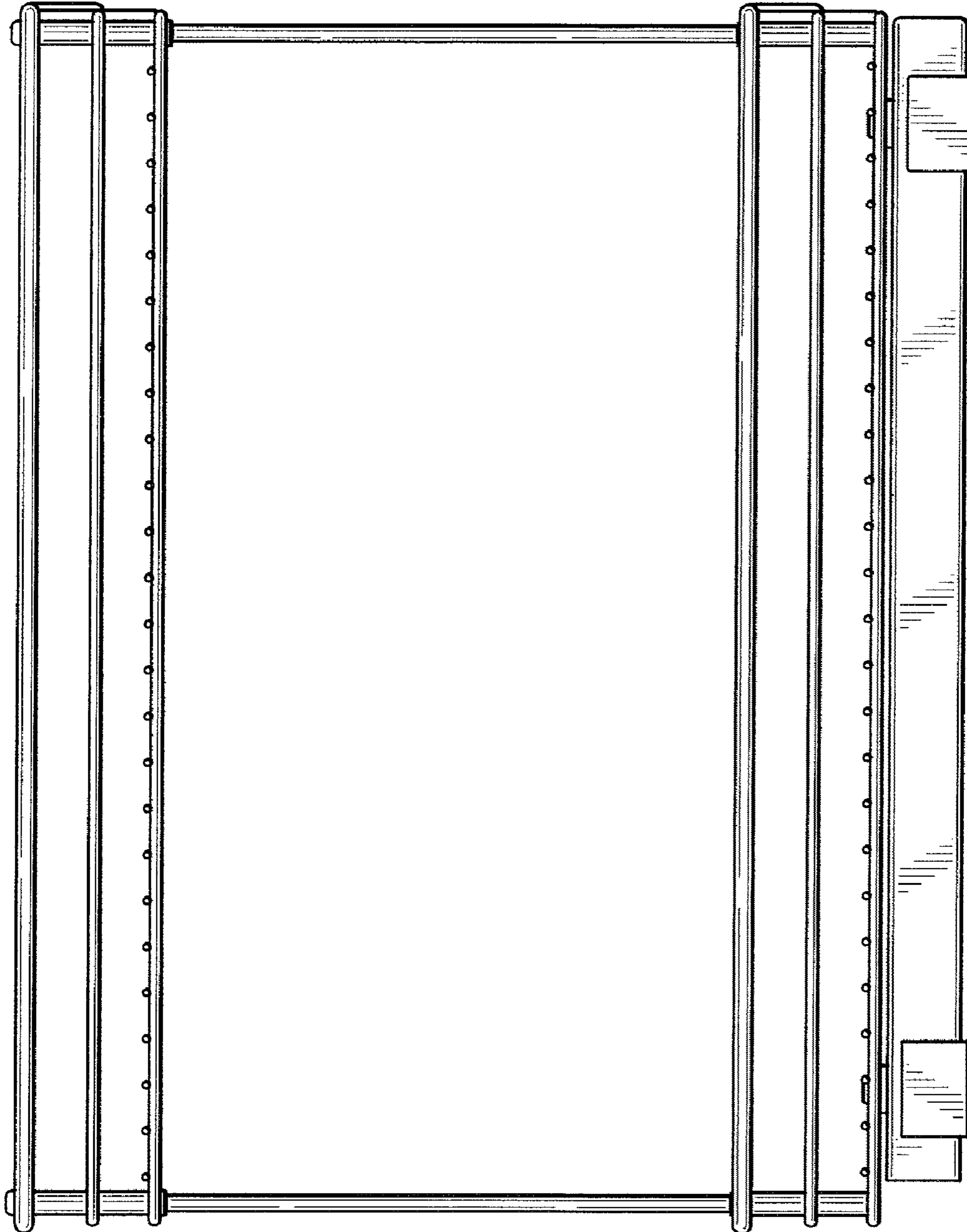


FIG. 2

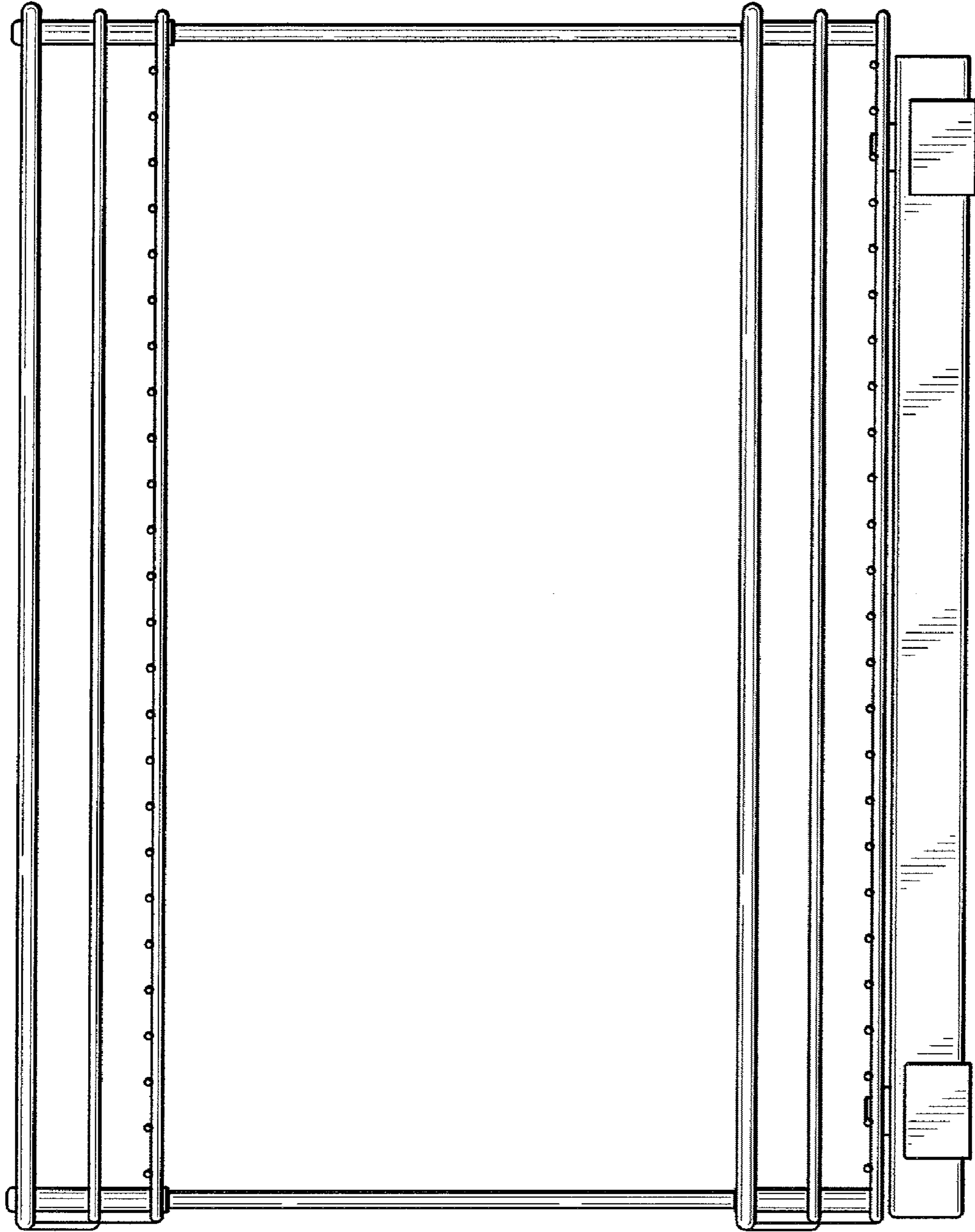


FIG. 3

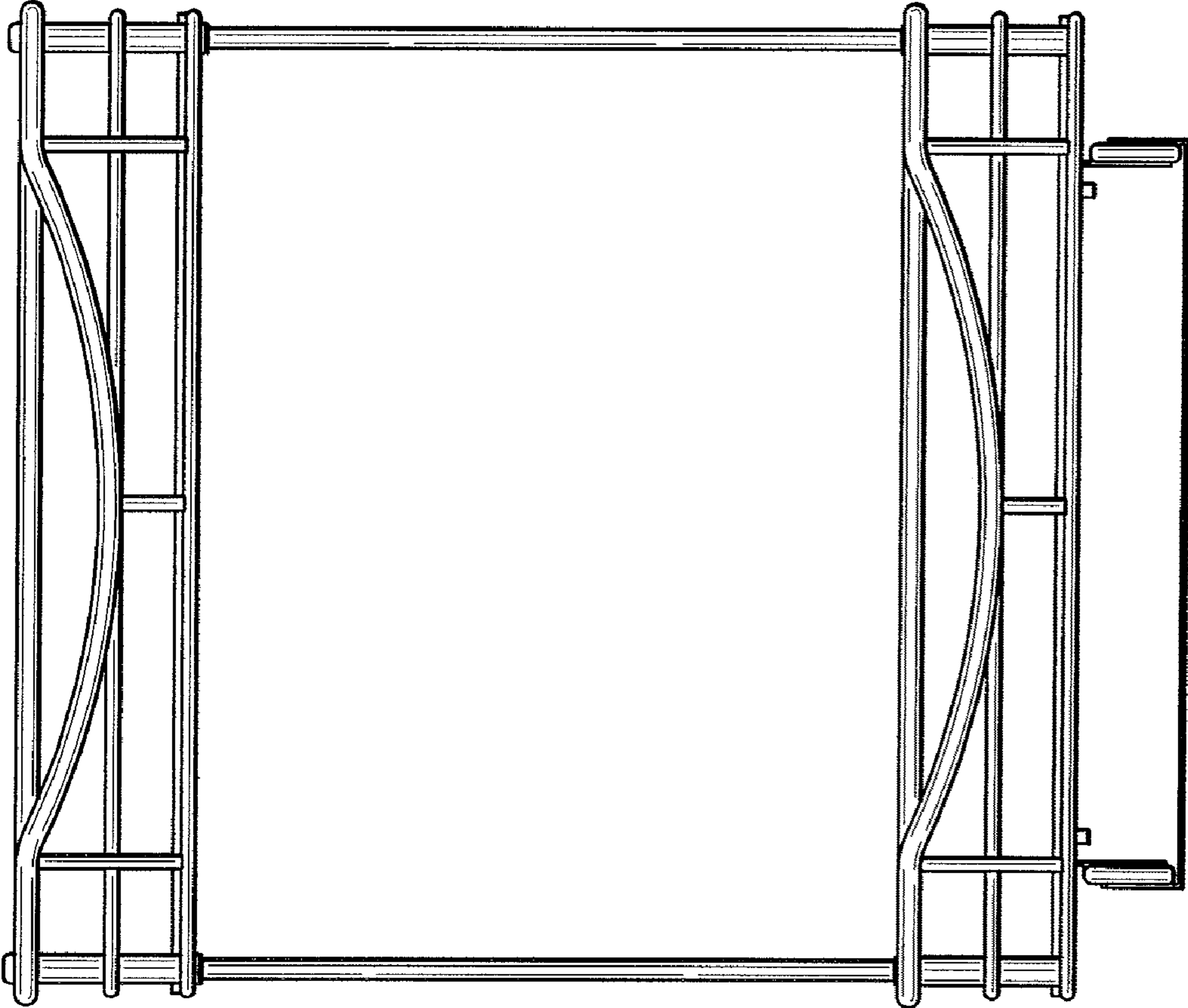


FIG. 4

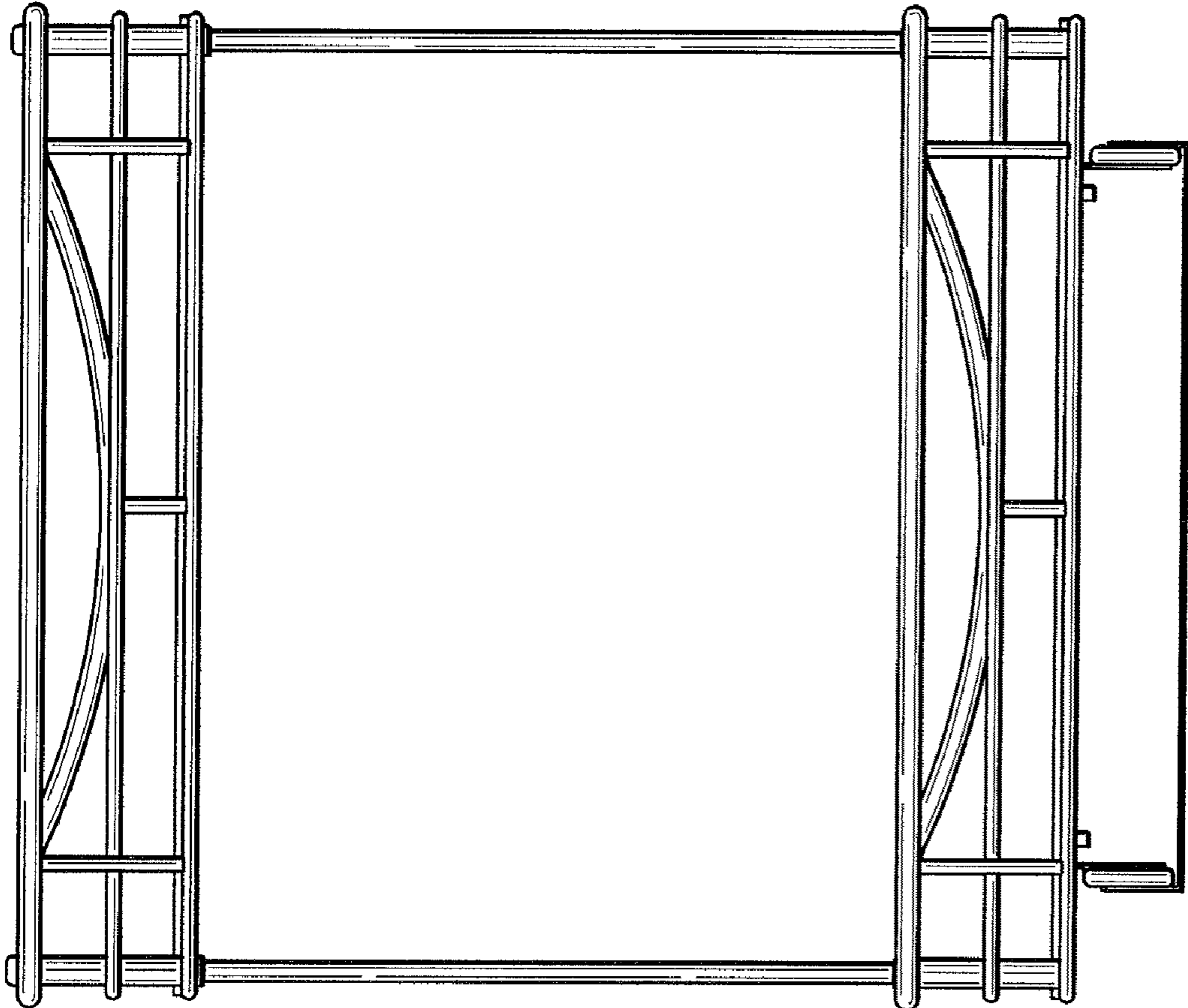


FIG. 5

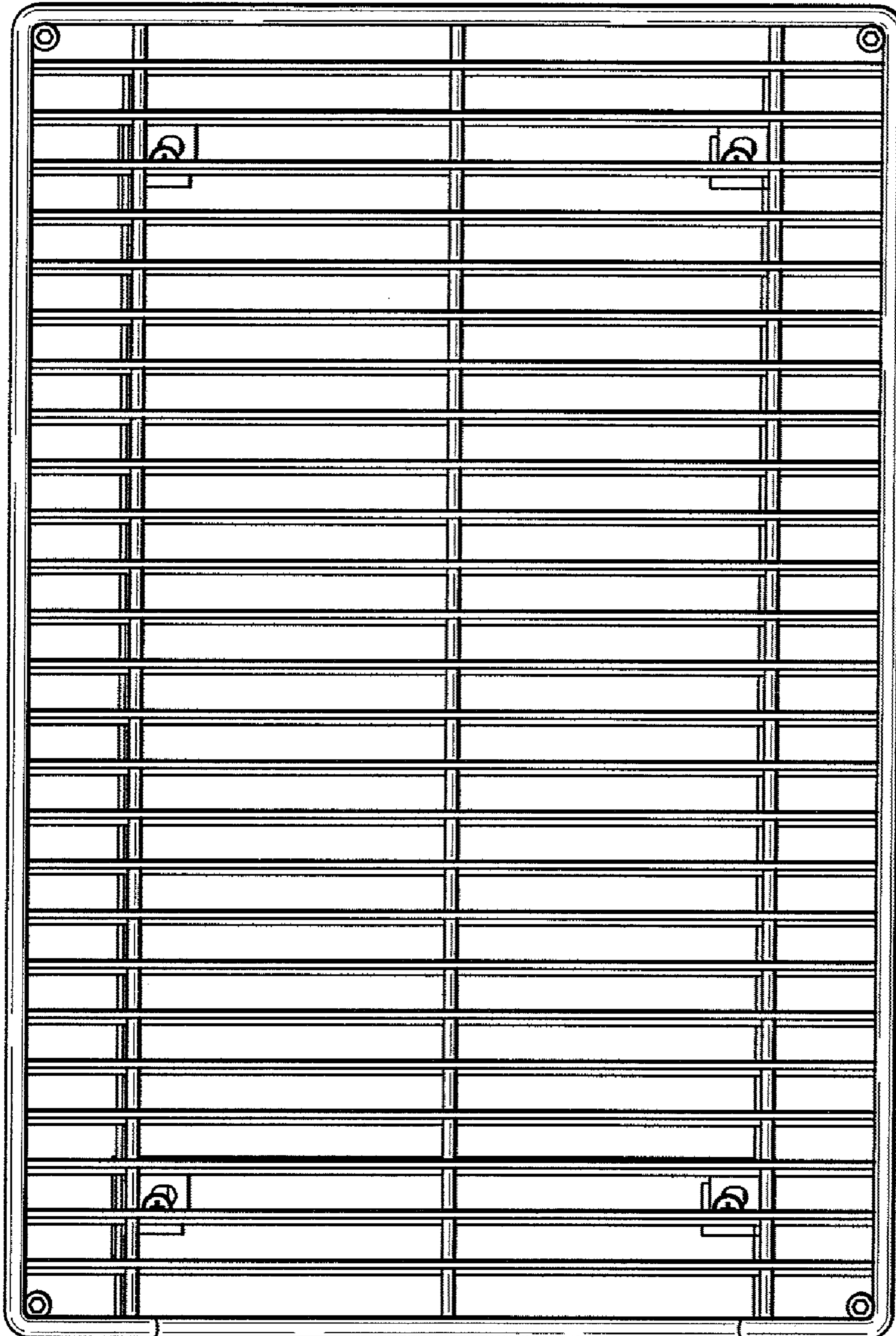


FIG. 6

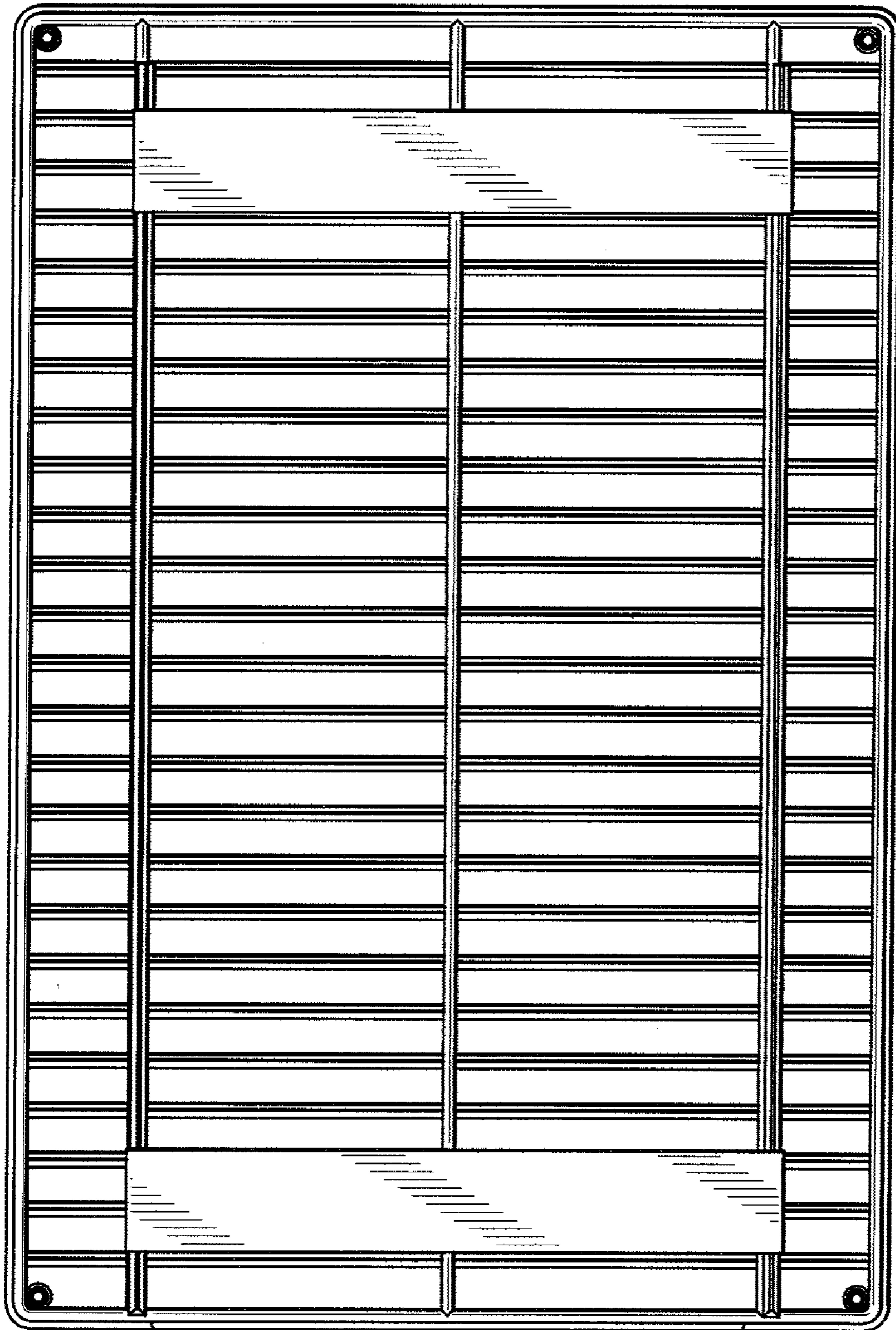


FIG. 7