



US00D568631S

(12) **United States Design Patent**
Martin et al.

(10) **Patent No.:** **US D568,631 S**
(45) **Date of Patent:** **** May 13, 2008**

(54) **CABINET**

(75) Inventors: **Kirt D. Martin**, Alto, MI (US); **David C. Eberlein**, Hudsonville, MI (US); **John A. Clark**, Kalamazoo, MI (US)

(73) Assignee: **Steelcase Development Corp.**, Grand Rapids, MI (US)

(**) Term: **14 Years**

(21) Appl. No.: **29/280,730**

(22) Filed: **Jun. 5, 2007**

(51) **LOC (8) Cl.** **06-04**

(52) **U.S. Cl.** **D6/436**

(58) **Field of Classification Search** D6/397,
D6/432, 436-440, 445-448, 470, 477-479;
312/108, 204, 237, 249.4, 249.5, 249.13,
312/257.1, 330.1, 348.3

See application file for complete search history.

(56) **References Cited**

U.S. PATENT DOCUMENTS

1,398,611 A	11/1921	Alstyn	
1,639,387 A	8/1927	Seward	
1,669,185 A	5/1928	Beige	
1,946,532 A	2/1934	Hatch	
D98,634 S *	2/1936	Wright	D6/436
2,103,885 A	12/1937	Whalen	
3,181,922 A	5/1965	McBean	
3,372,966 A	3/1968	Duy	
3,441,331 A	4/1969	Kesling	
3,712,697 A	1/1973	Kelley et al.	
3,716,282 A	2/1973	Propst et al.	
3,866,993 A	2/1975	Dean et al.	

(Continued)

OTHER PUBLICATIONS

Herman Miller, Storage and Transport Solutions Brochure, 2001.
e-bay.com, Flat File Storage Cabinet.

Primary Examiner—Mimosa De

(74) *Attorney, Agent, or Firm*—Quarles & Brady LLP.

(57) **CLAIM**

The ornamental design for a cabinet, as shown and described.

DESCRIPTION

FIG. 1 is a front, right, upper perspective view of a first embodiment of a cabinet embodying our new design;

FIG. 2 is a front elevational view thereof;

FIG. 3 is a top plan view thereof;

FIG. 4 is a right side elevational view thereof, the left side elevational view being a mirror image thereof;

FIG. 5 is a rear elevational view thereof;

FIG. 6 is a bottom view thereof;

FIG. 7 is a front, right, upper perspective view of a second embodiment of a cabinet embodying our new design, the top plan view being identical to the view shown in FIG. 3; the right side elevational view being identical to the view shown in FIG. 4, the left side elevational view being a mirror image of the view shown in FIG. 4, the rear elevational view being identical to the view shown in FIG. 5; the bottom view being identical to the view shown in FIG. 6;

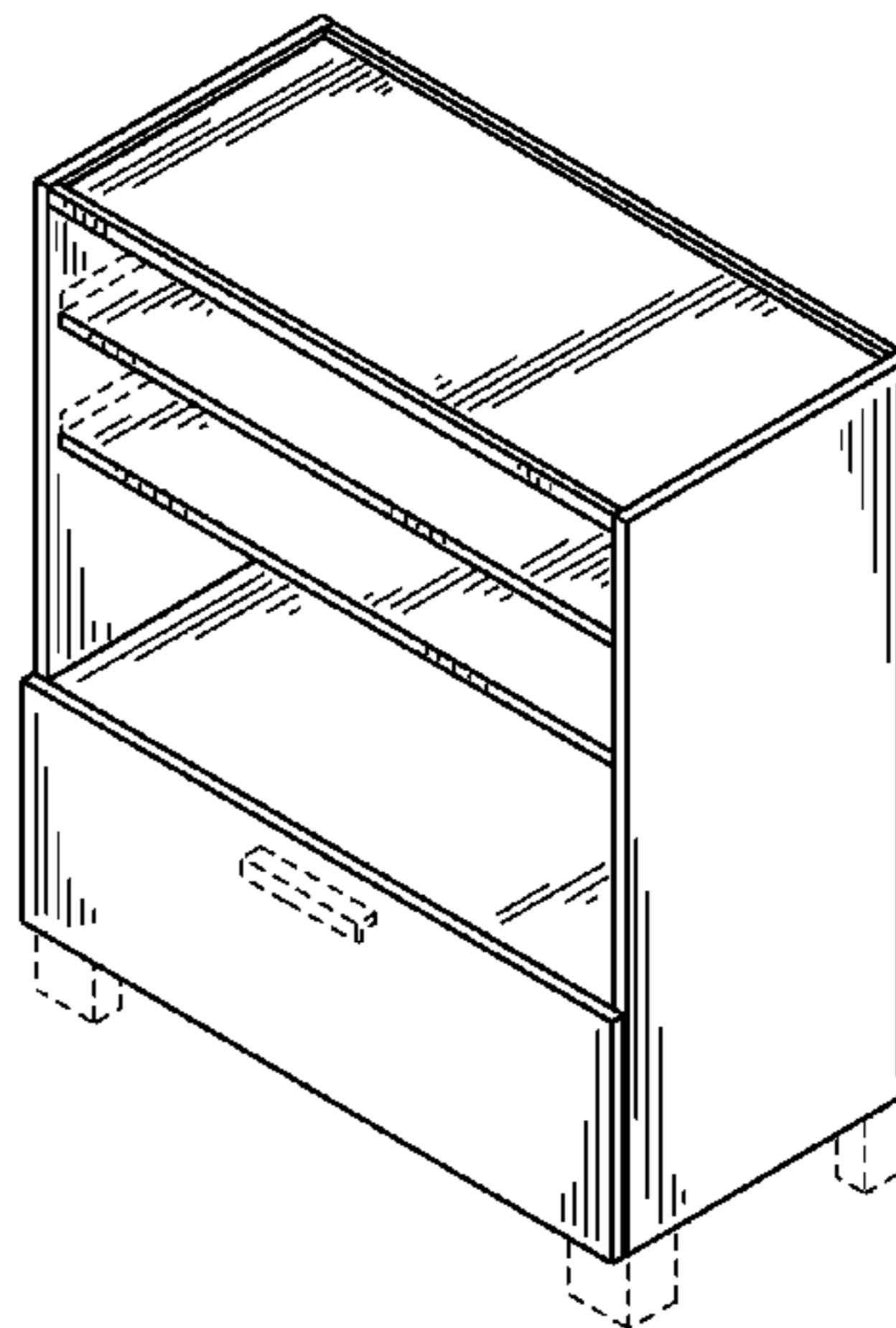
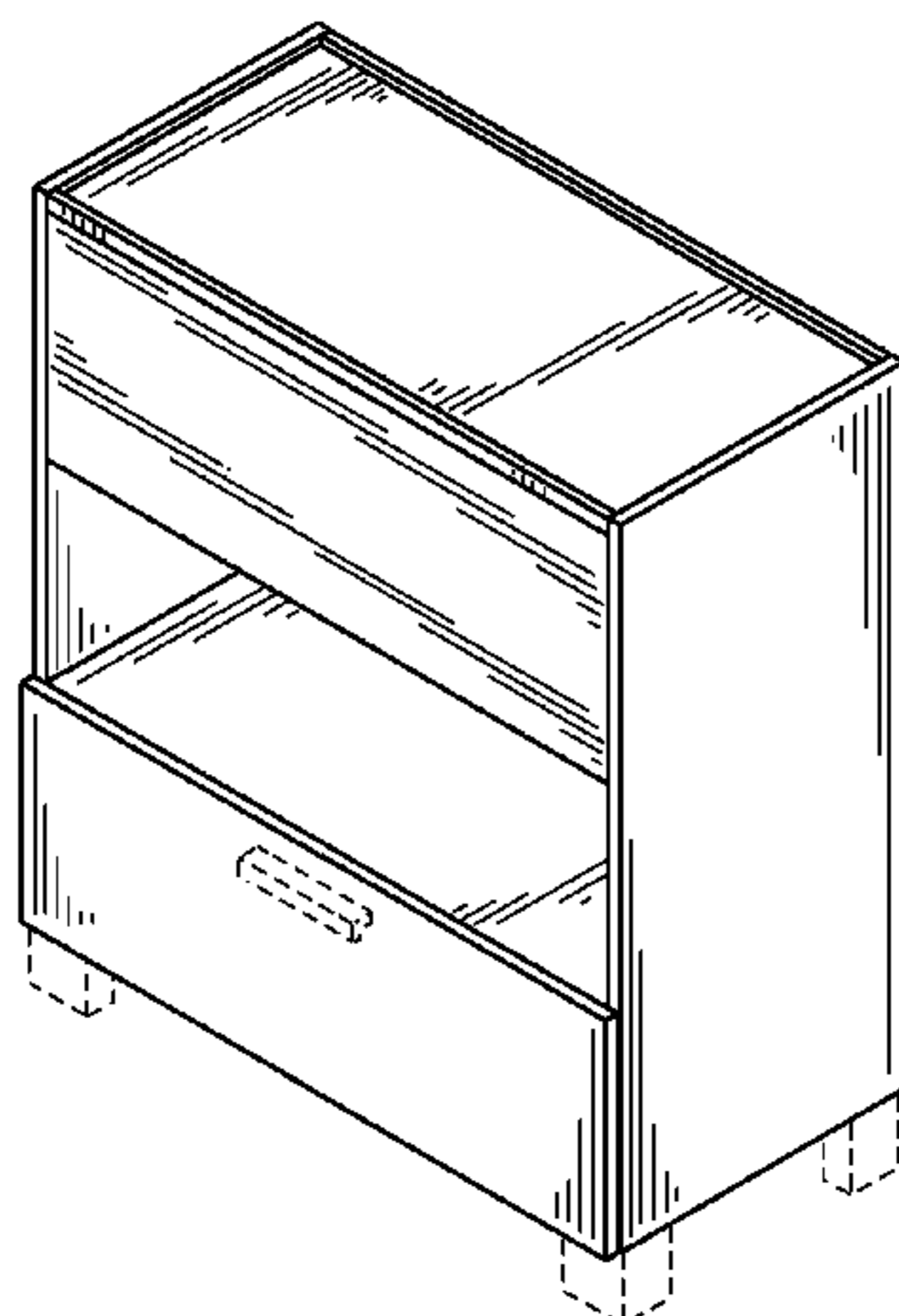
FIG. 8 is a front elevational view thereof;

FIG. 9 is a front, right, upper perspective view of a third embodiment of a cabinet embodying our new design, the top plan view being identical to the view shown in FIG. 3; the right side elevational view being identical to the view shown in FIG. 4, the left side elevational view being a mirror image of the view shown in FIG. 4, the rear elevational view being identical to the view shown in FIG. 5; the bottom view being identical to the view shown in FIG. 6; and,

FIG. 10 is a front elevational view thereof.

The broken line representations of support legs in FIGS. 1-2 and 4-10, of a drawer pull in FIGS. 1-4 and 6-10, and of shelving in FIGS. 1-2 are for the purposes of illustration only, and form no part of the claimed design.

1 Claim, 5 Drawing Sheets



US D568,631 S

Page 2

U.S. PATENT DOCUMENTS

4,140,356	A	2/1979	Chervanek				
4,389,078	A	6/1983	Streit				
4,502,741	A	3/1985	DeVries et al.				
4,563,047	A	1/1986	Braunschweig et al.				
4,620,489	A	11/1986	Albano				
4,669,790	A	6/1987	Briggs				
4,934,645	A	6/1990	Breslow				
D364,051	S *	11/1995	Berry et al.	D6/436		
5,483,902	A	1/1996	Grosch				
D385,125	S *	10/1997	Zapf	D6/445		
5,702,115	A	12/1997	Pool				
D391,782	S *	3/1998	Neufeld	D6/436		
5,788,094	A	8/1998	Kim et al.				
5,970,887	A	10/1999	Hardy				
D426,982	S *	6/2000	Freedberg	D6/437		
D463,162	S *	9/2002	Kelley et al.	D6/437		
D492,860	S *	7/2004	Bertoncini	D6/470		
D498,609	S *	11/2004	Juneau et al.	D6/436		

* cited by examiner

FIG. 1

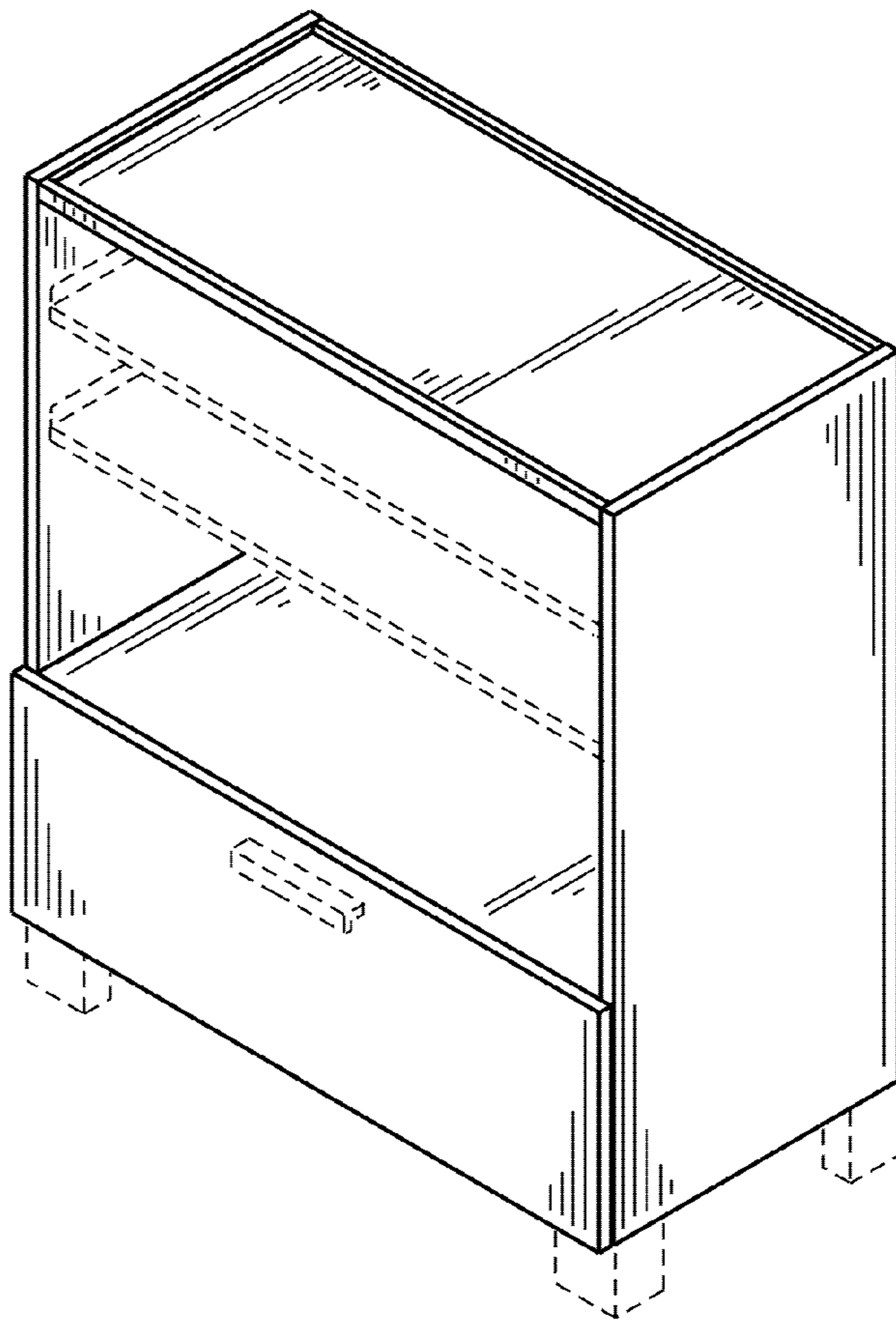


FIG. 2

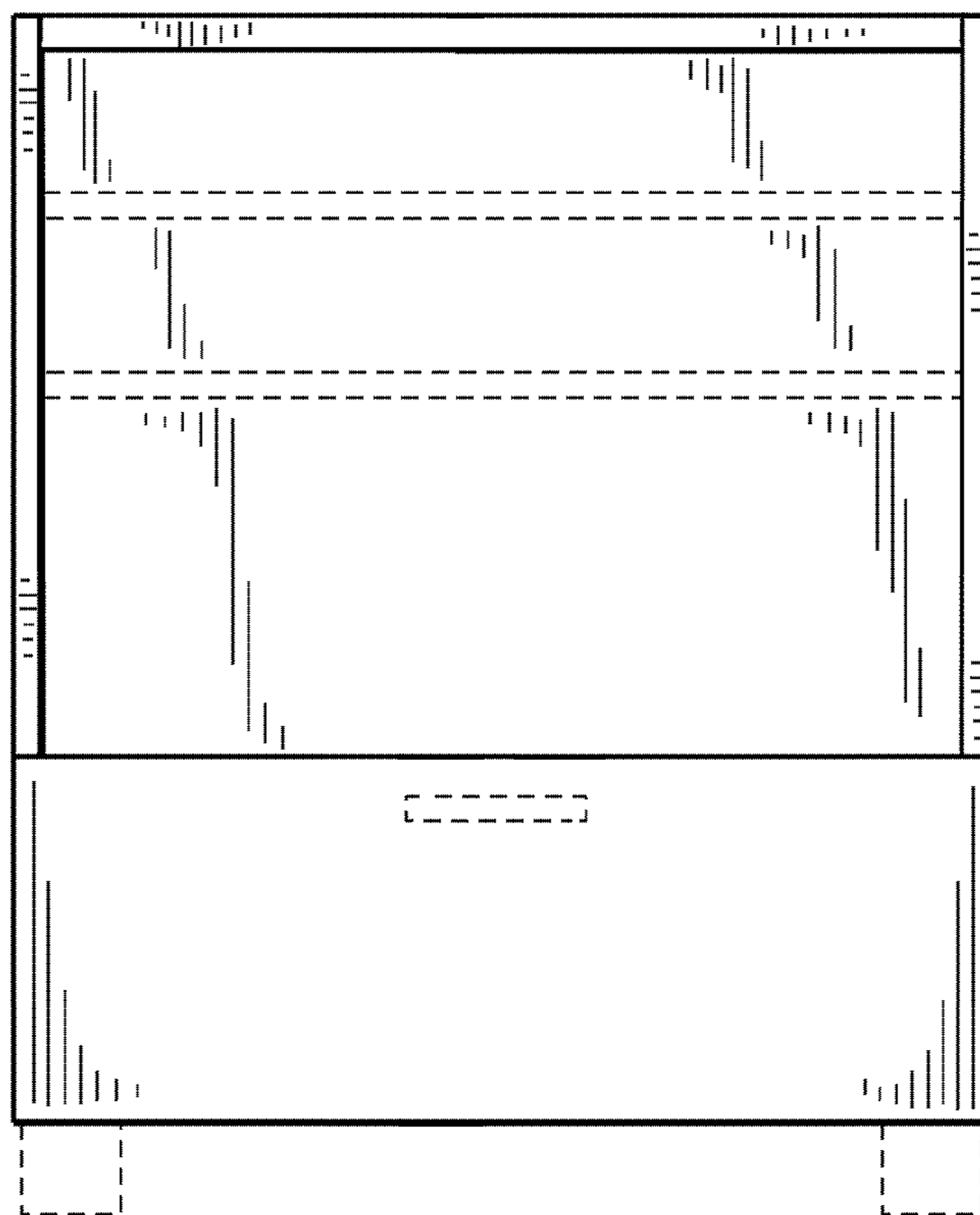


FIG. 3

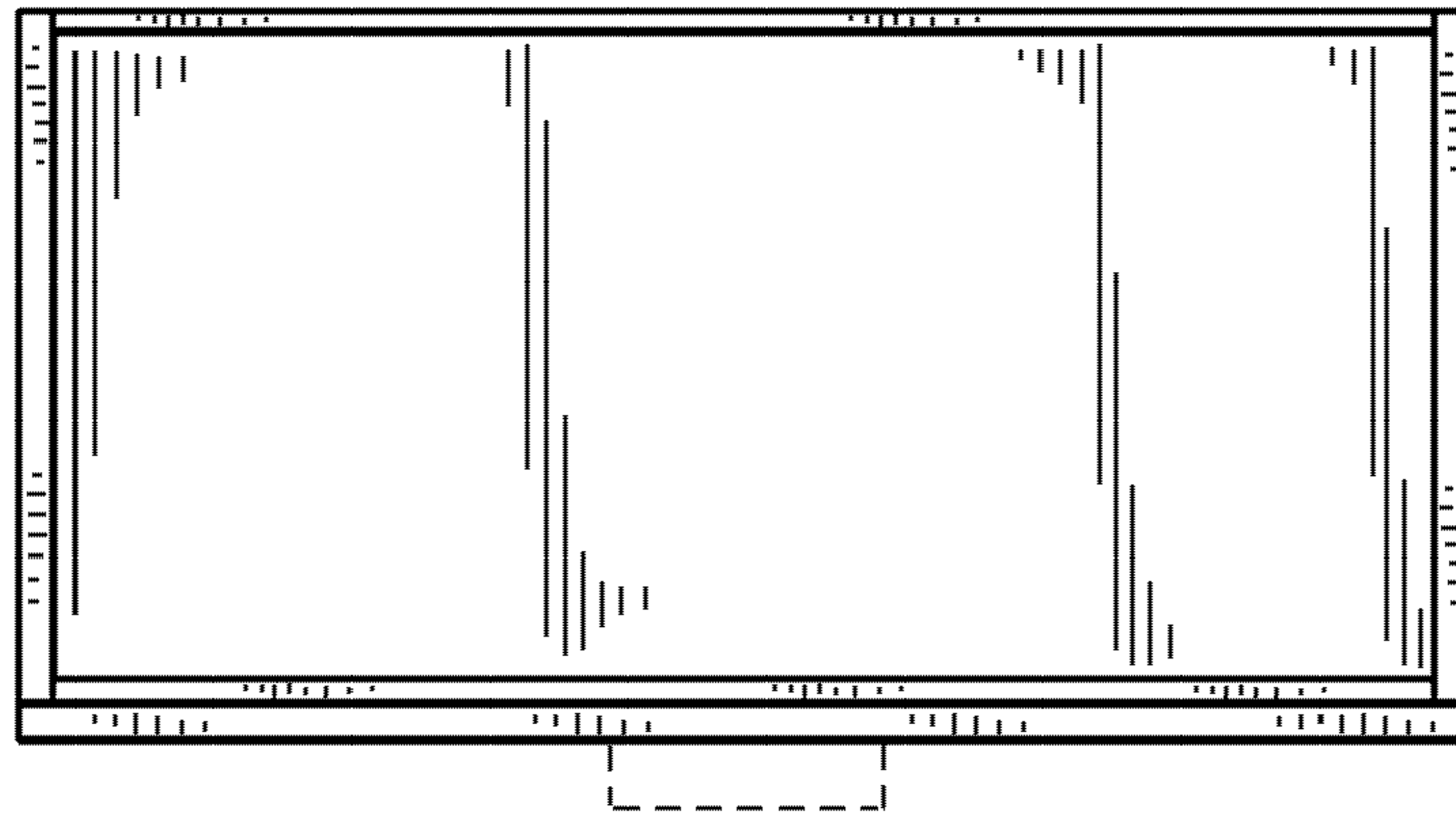


FIG. 4

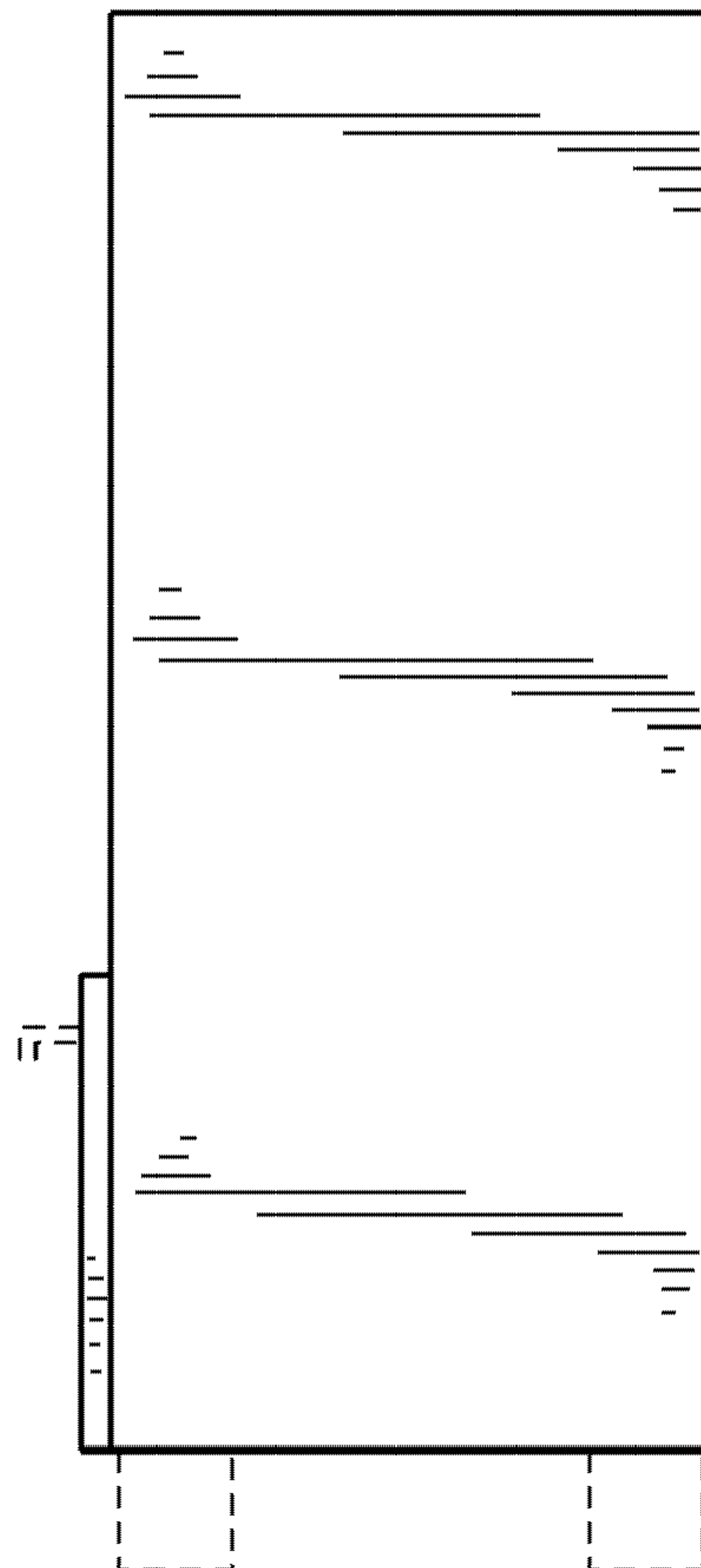


FIG. 5

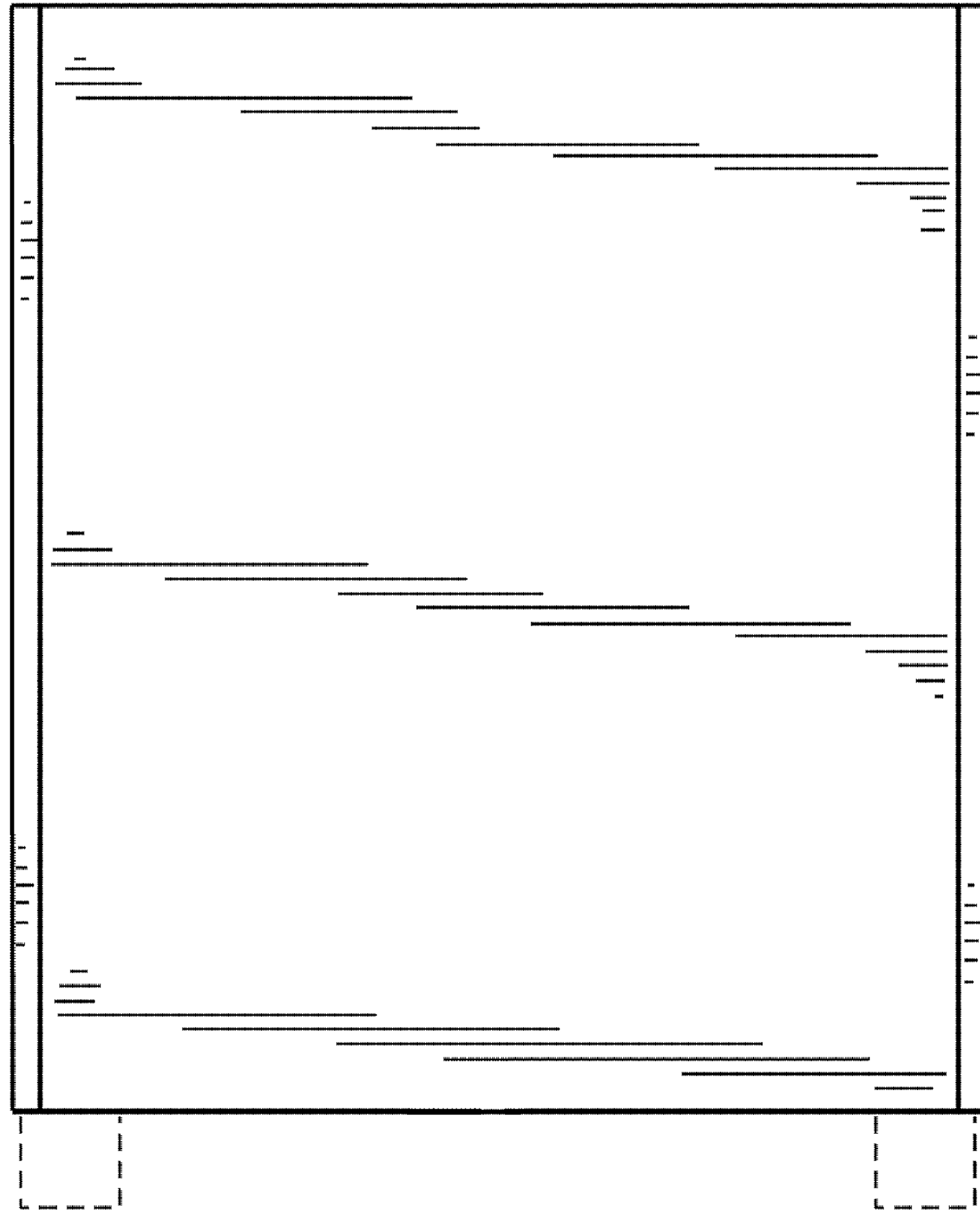


FIG. 6

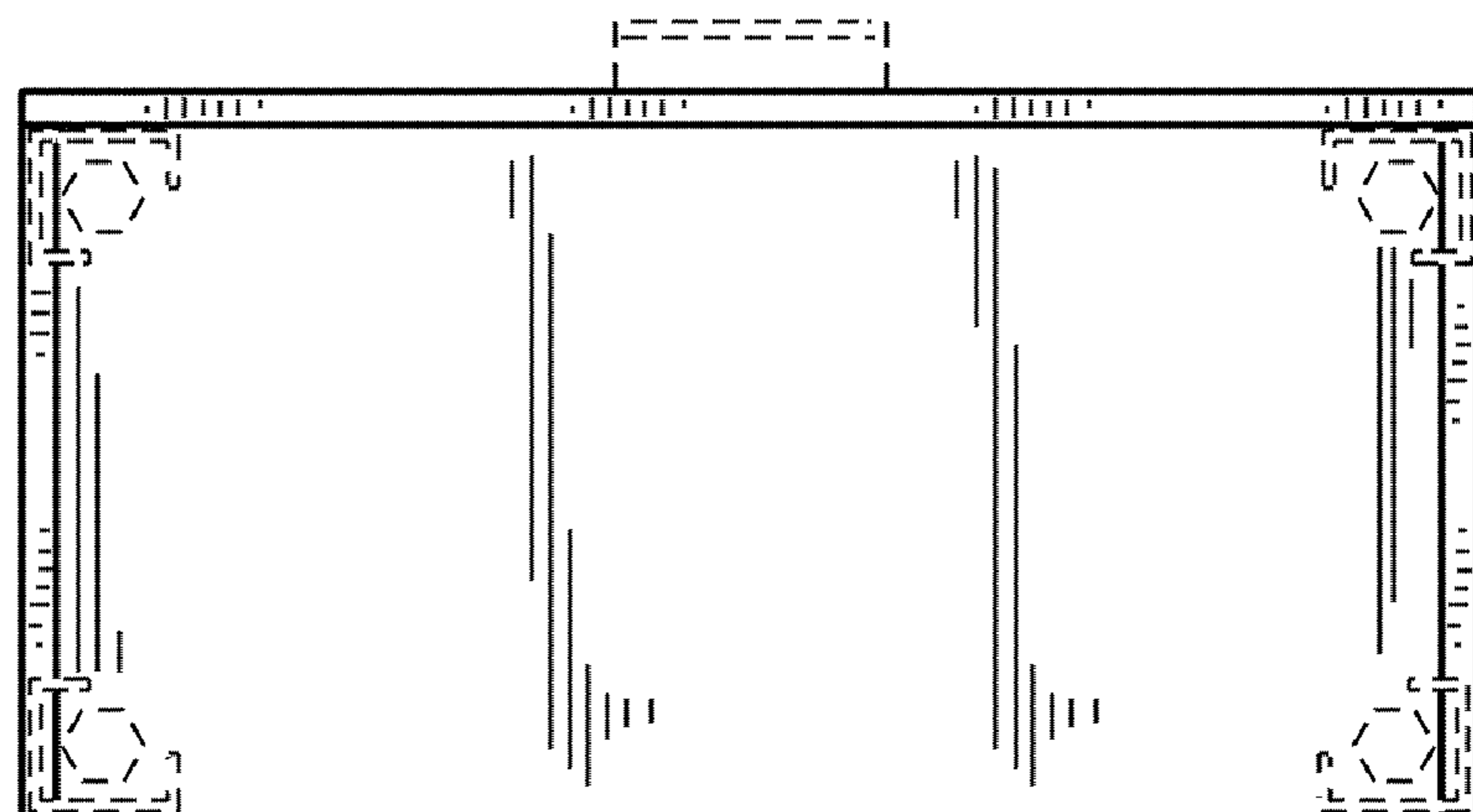


FIG. 7

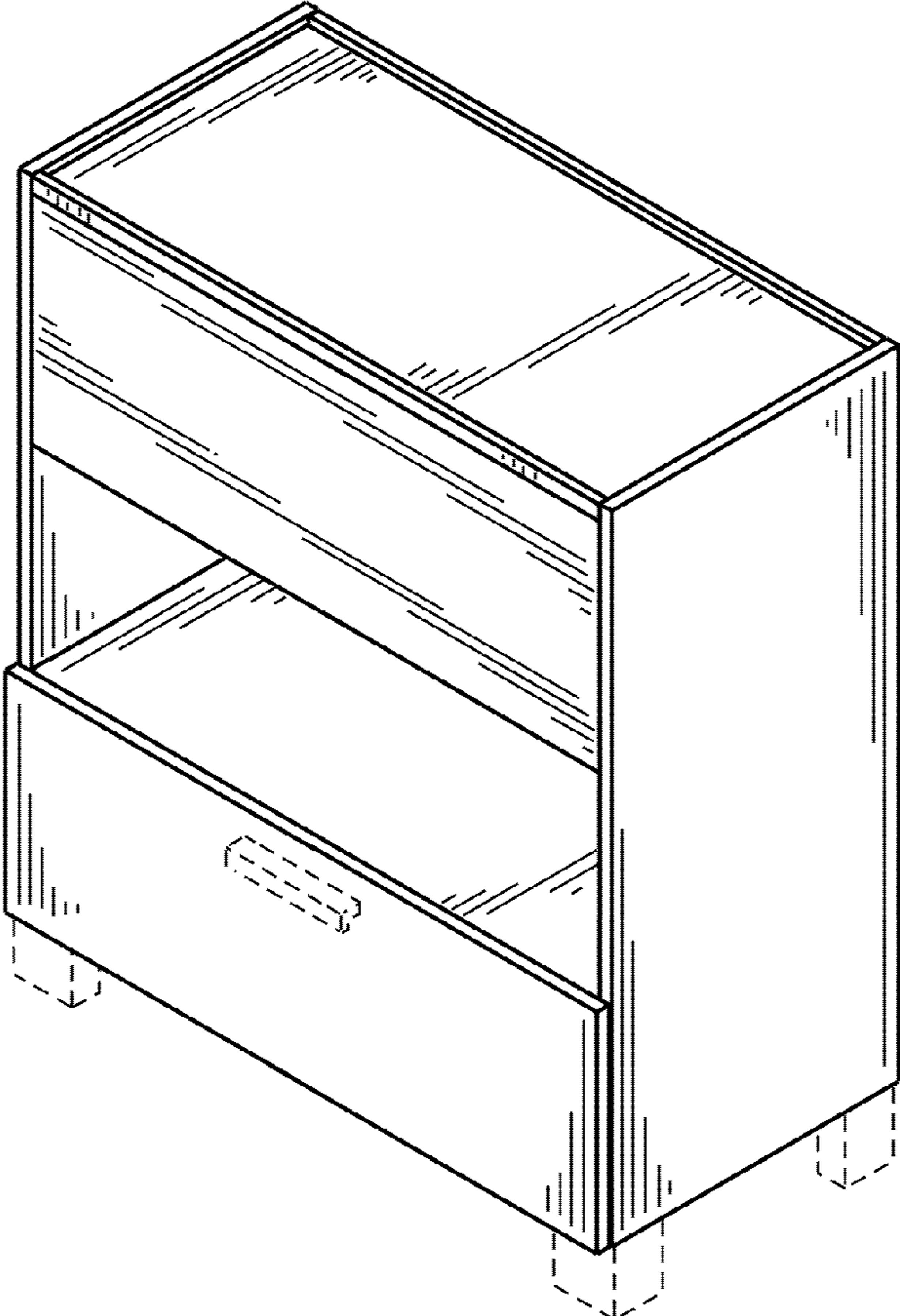


FIG. 8

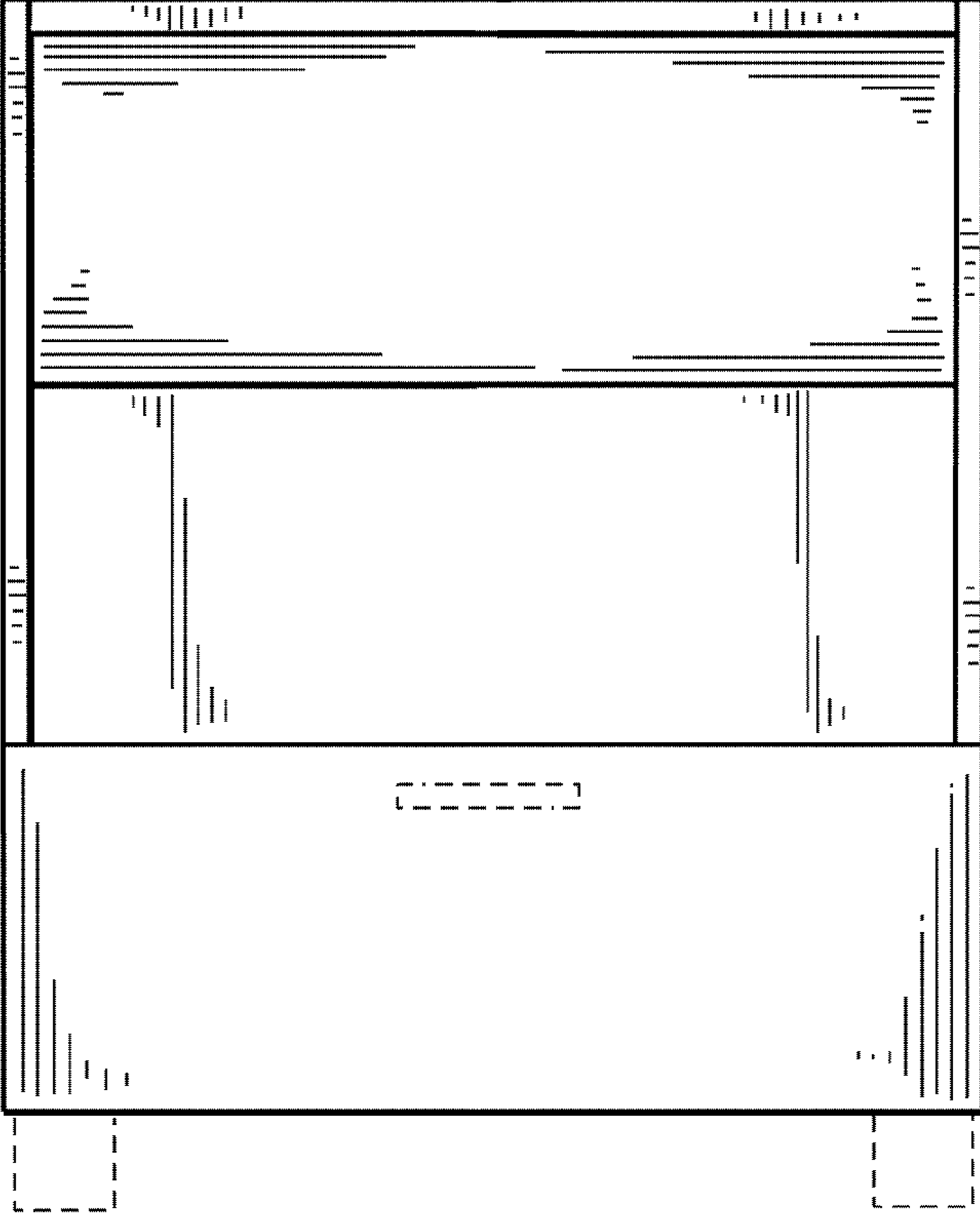


FIG. 9

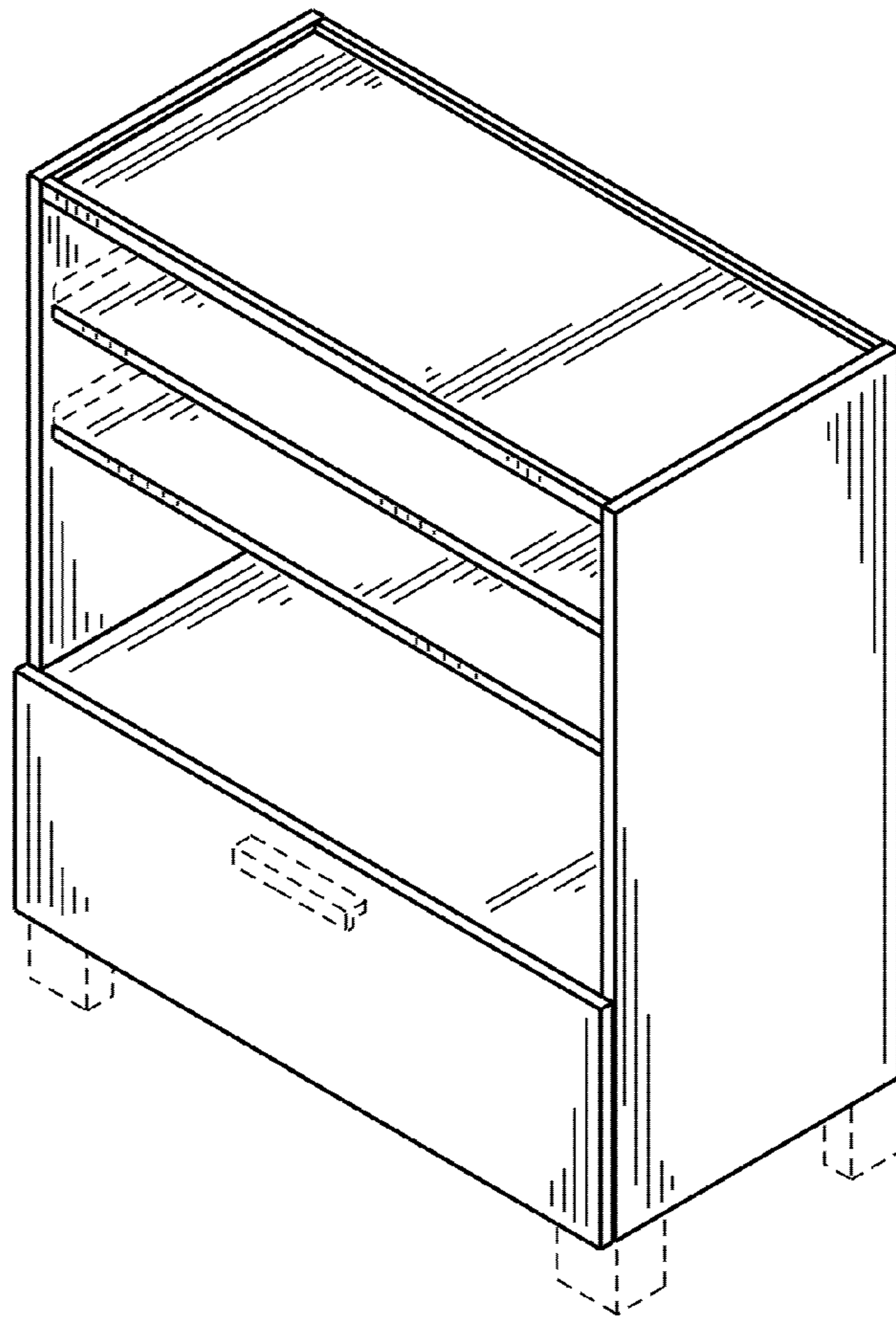


FIG. 10

