

US00D568625S

(12) **United States Design Patent**
Klaasen, II et al.

(10) **Patent No.: US D568,625 S**
(45) **Date of Patent: ** May 13, 2008**

(54) **SEATING UNIT**

(75) Inventors: **Gardner Klaasen, II**, Ada, MI (US);
David Valdiserri, E. Grand Rapids, MI
(US); **Kenneth Penning**, Ada, MI (US)

(73) Assignee: **Steelcase Inc.**, Grand Rapids, MI (US)

(**) Term: **14 Years**

(21) Appl. No.: **29/296,390**

(22) Filed: **Oct. 19, 2007**

Related U.S. Application Data

(62) Division of application No. 29/214,453, filed on Oct. 1, 2004, now Pat. No. Des. 546,573.

(51) **LOC (8) Cl.** **06-01**

(52) **U.S. Cl.** **D6/366**

(58) **Field of Classification Search** D6/366,
D6/334, 498, 502; 297/411.27, 41.36, 452
See application file for complete search history.

(56) **References Cited**

U.S. PATENT DOCUMENTS

- D253,205 S * 10/1979 Buhk D6/366
- D362,973 S * 10/1995 Schultz D6/366
- D459,903 S * 7/2002 Lo D6/366
- D527,920 S * 9/2006 Giugiaro D6/366
- D546,594 S * 7/2007 Kane et al. D6/500

- D549,476 S * 8/2007 Chu D6/366
- D550,975 S * 9/2007 Meda D6/366
- D553,376 S * 10/2007 Nakamura et al. D6/366
- D554,382 S * 11/2007 Nobles et al. D6/366
- D554,878 S * 11/2007 Collinson D6/366

* cited by examiner

Primary Examiner—Robert M. Spear

Assistant Examiner—Kartina A Kile

(74) *Attorney, Agent, or Firm*—Price, Heneveld, Cooper,
DeWitt & Litton, LLP

(57) **CLAIM**

We claim the ornamental design for seating unit, as shown and described.

DESCRIPTION

FIG. 1 is a front perspective view of a modified seating unit shown in our design;

FIG. 2 is a left side view of FIG. 1, the right side being a mirror image of the left side;

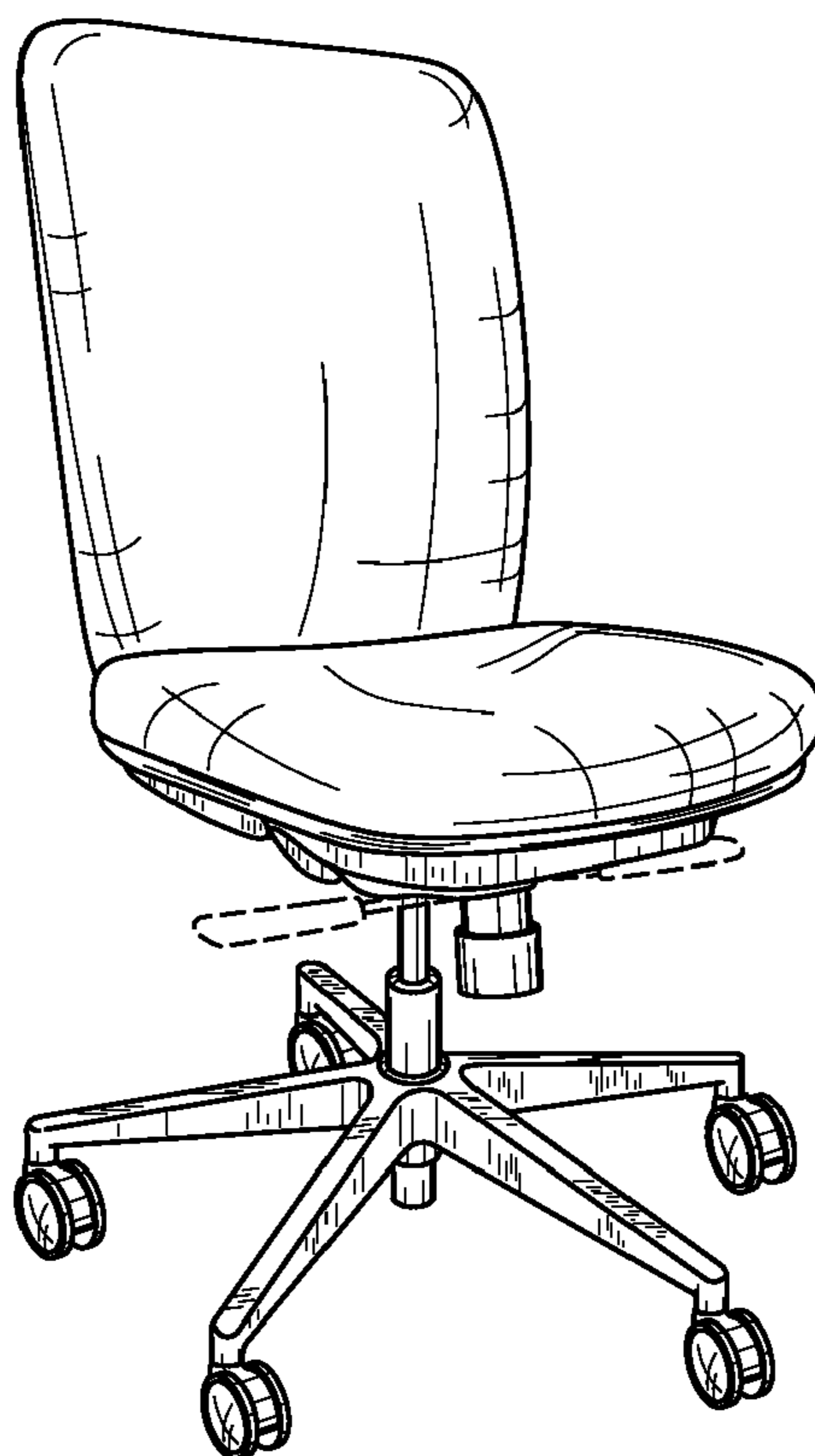
FIG. 3 is a front view of FIG. 1;

FIG. 4 is a back view of FIG. 1; and,

FIG. 5 is a top view of FIG. 1.

In the drawings, the broken line showing of an adjustment handle depicts environmental subject matter and forms no part of the claimed design.

1 Claim, 2 Drawing Sheets



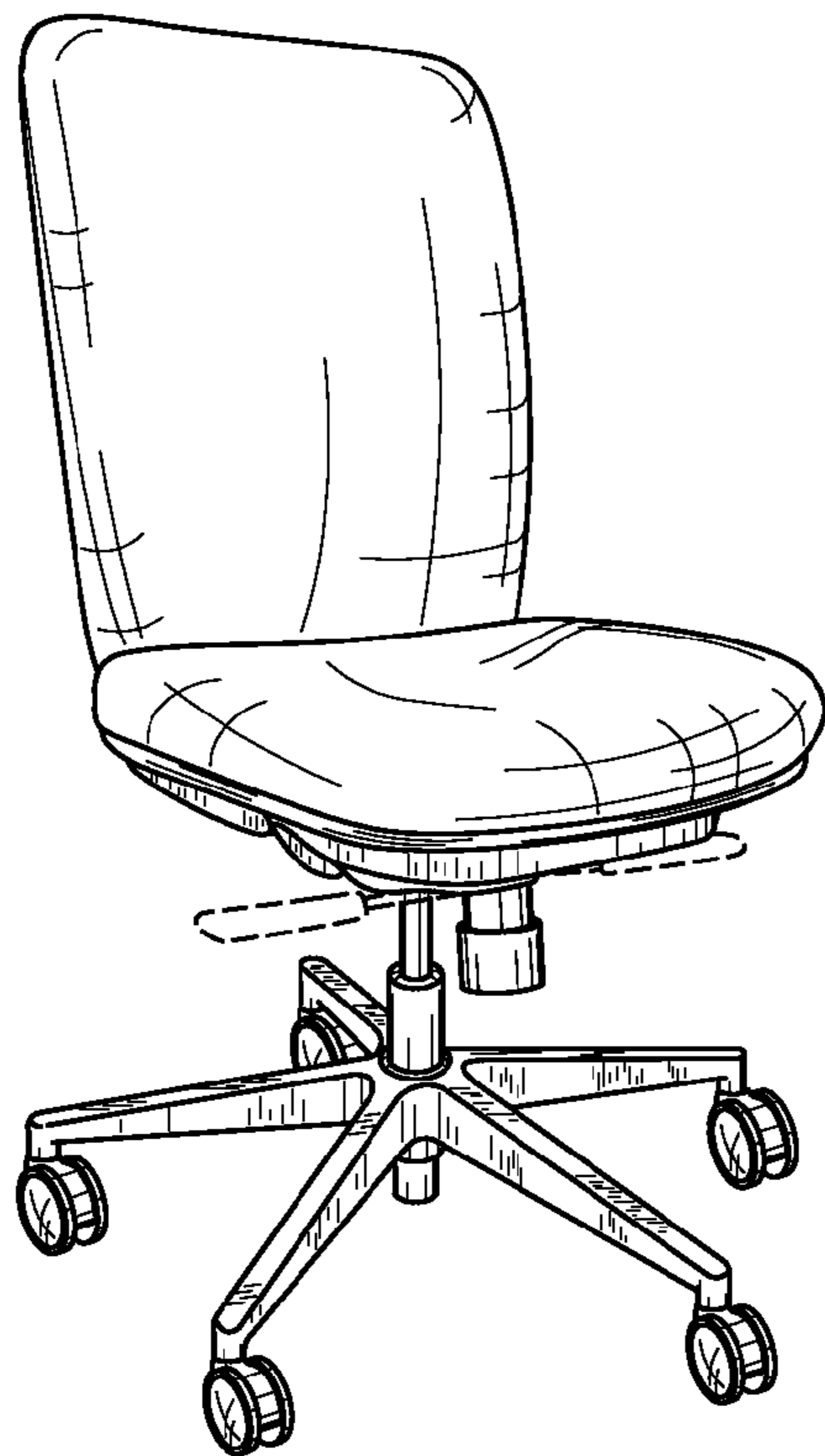


FIG. 1

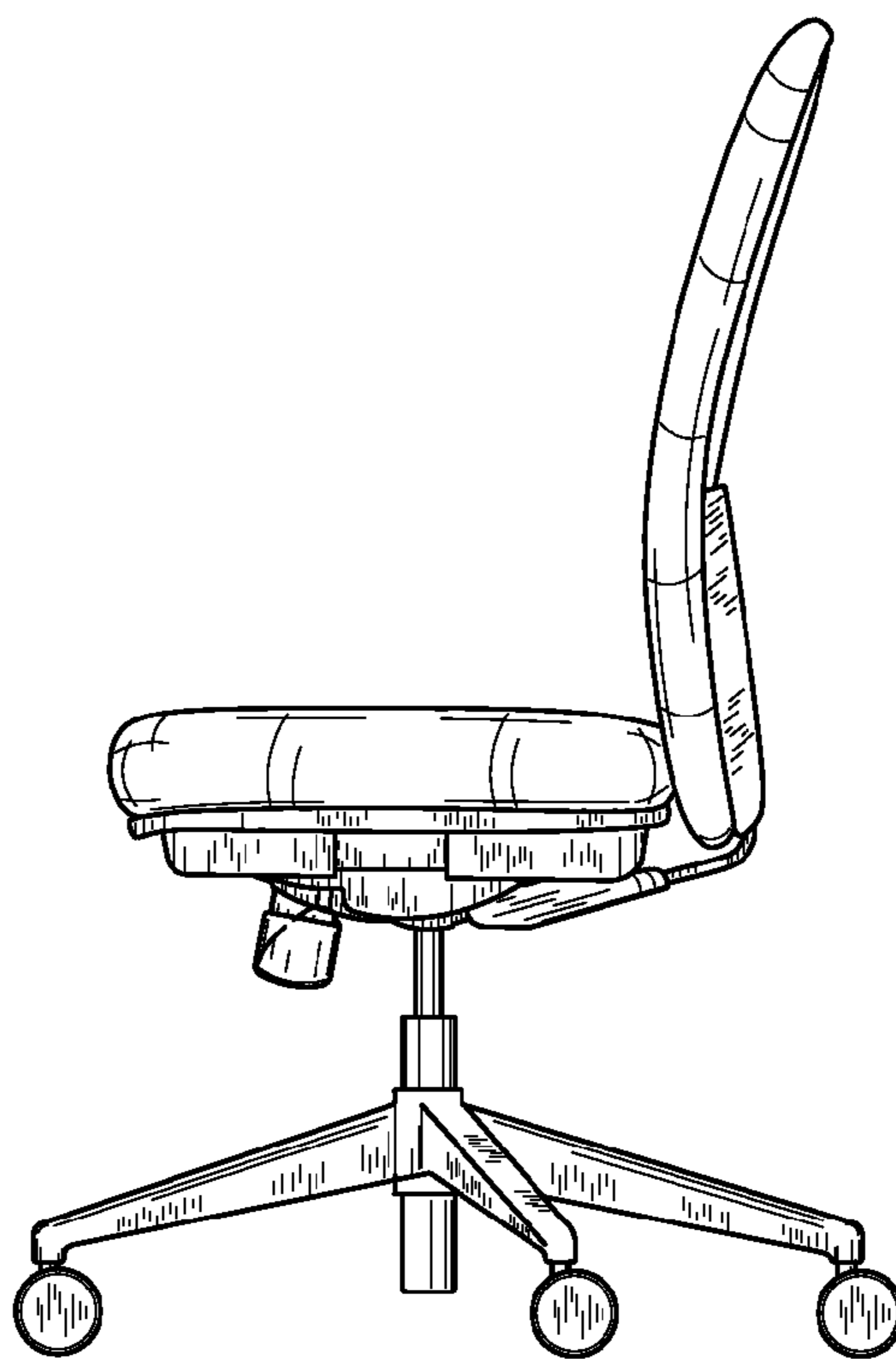


FIG. 2

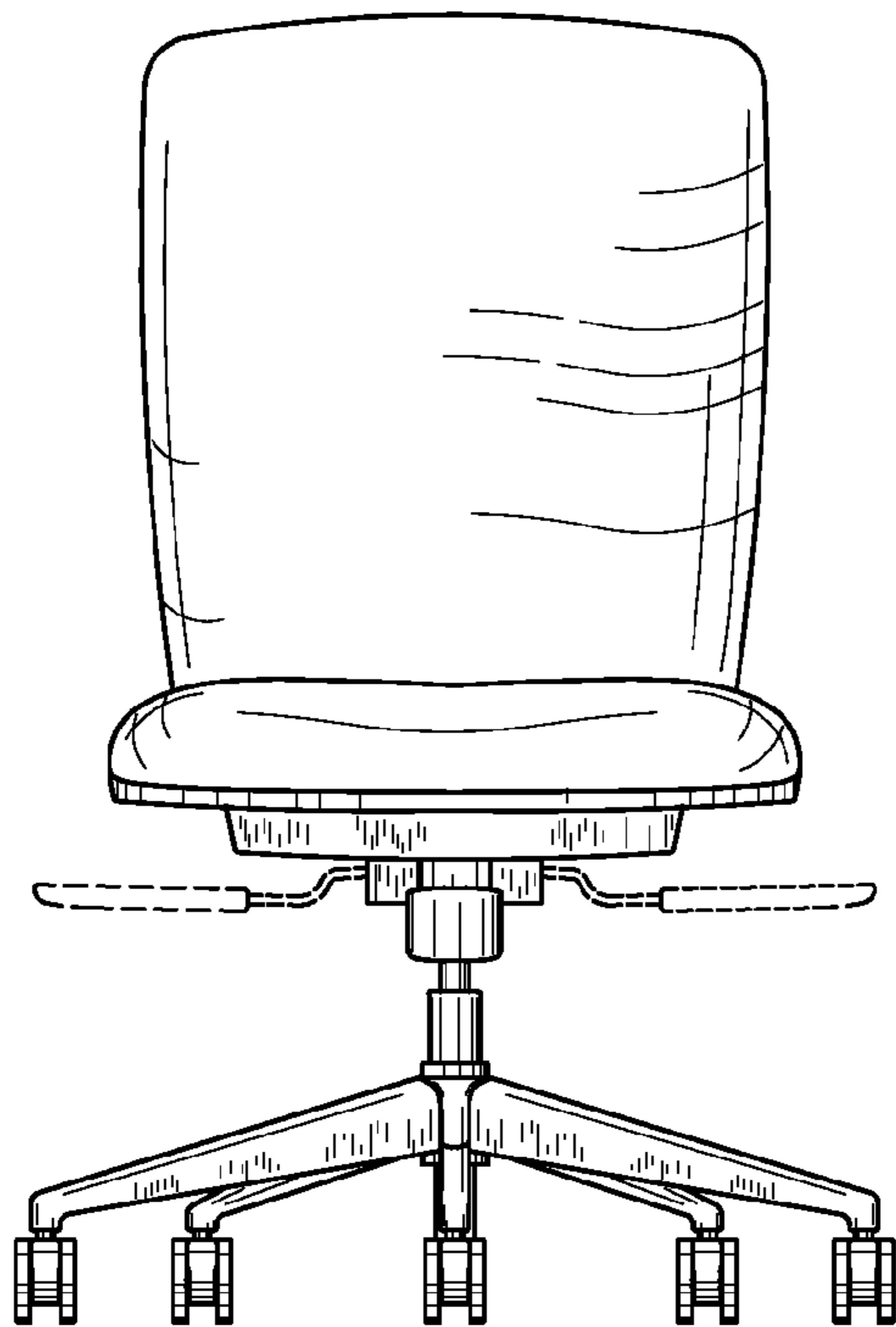


FIG. 3

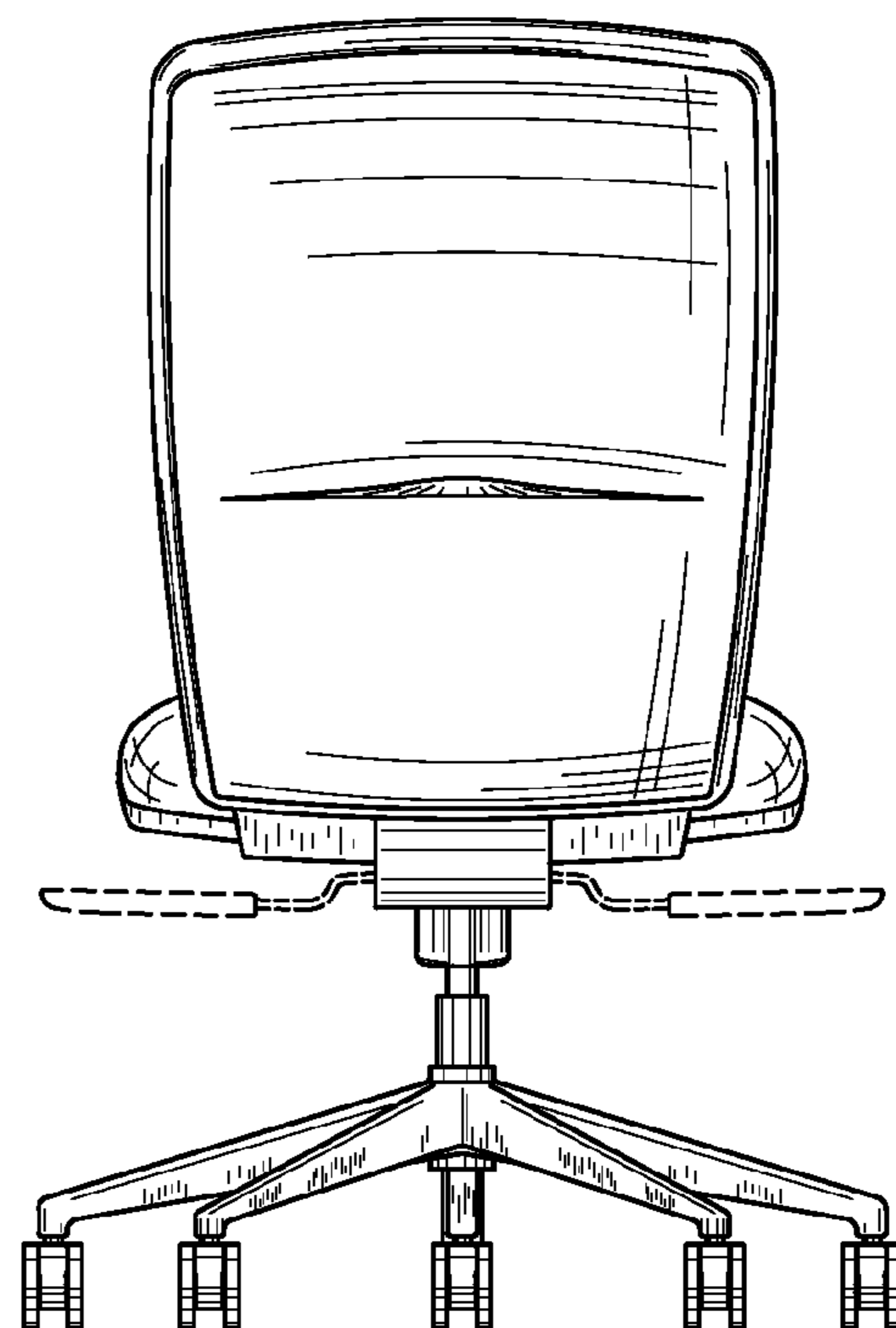


FIG. 4

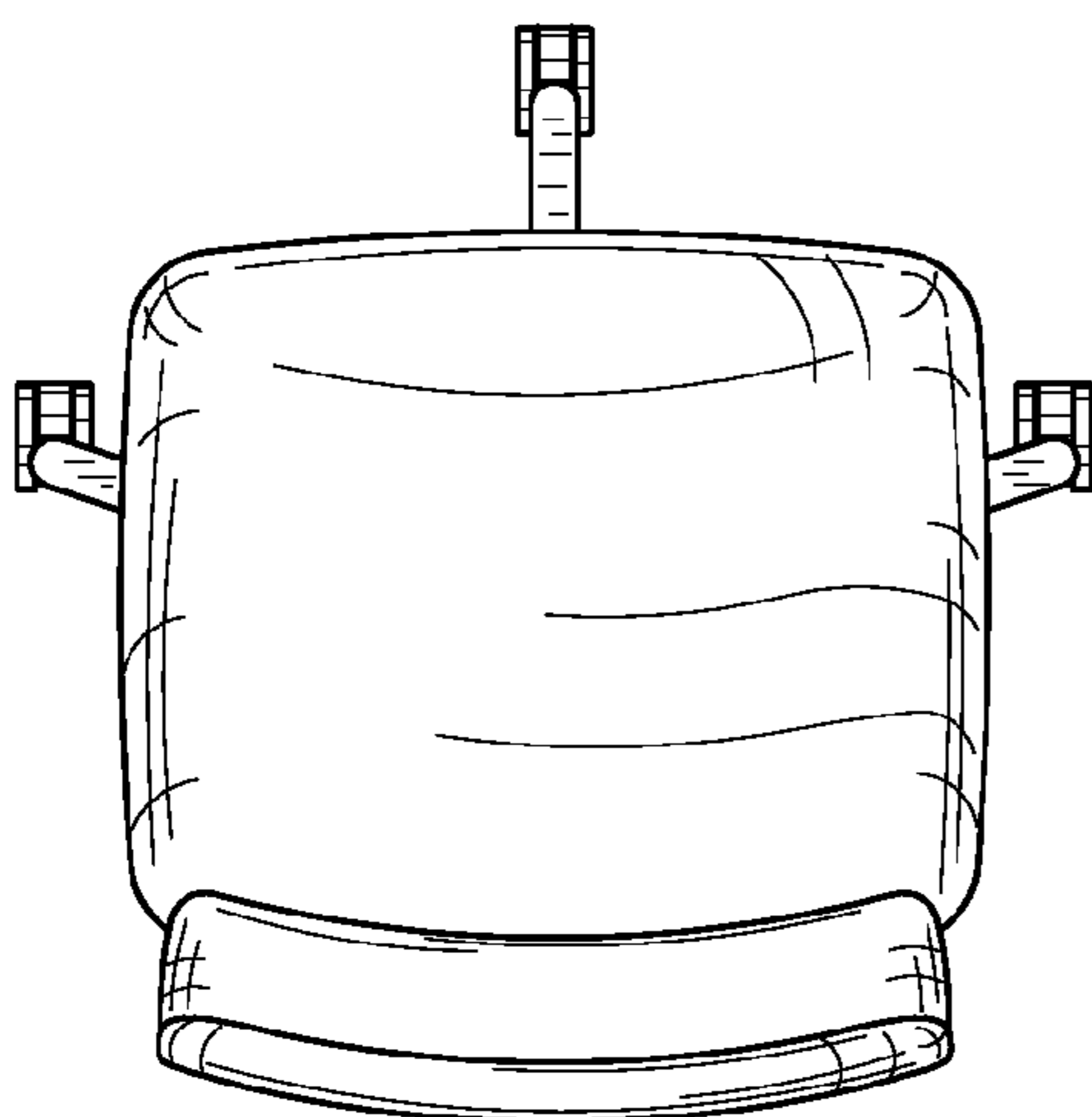


FIG. 5