



US00D568624S

(12) **United States Design Patent**
Wen

(10) **Patent No.:** **US D568,624 S**

(45) **Date of Patent:** **** May 13, 2008**

(54) **OFFICE CHAIR**

(75) Inventor: **Ming-Hung Wen**, Min-Shiung-Shiang
(TW)

(73) Assignee: **Hurung Taih Plastic Master Batch Co.,
Ltd.**, Chiayi (TW)

(**) Term: **14 Years**

(21) Appl. No.: **29/295,653**

(22) Filed: **Oct. 3, 2007**

(51) **LOC (8) Cl.** **06-01**

(52) **U.S. Cl.** **D6/366**

(58) **Field of Classification Search** D6/334-336,
D6/364-367, 369, 374, 379, 380, 498, 500-502;
297/393, 396, 284.4, 411.27, 452.13, 452.18,
297/452.29, 452.3, 452.56, 452.64
See application file for complete search history.

(56) **References Cited**

U.S. PATENT DOCUMENTS

D460,869 S *	7/2002	Koepke et al.	D6/366
D461,661 S *	8/2002	Koepke et al.	D6/500
D462,187 S *	9/2002	Koepke et al.	D6/366
D481,879 S *	11/2003	Su	D6/366
D507,124 S *	7/2005	Yang	D6/366
D512,232 S *	12/2005	Wu	D6/366
D548,992 S *	8/2007	Koepke et al.	D6/366

D548,994 S *	8/2007	Mao	D6/366
D552,857 S *	10/2007	Wang	D6/366
D557,024 S *	12/2007	Chen	D6/366
D557,914 S *	12/2007	Ong	D6/366
D558,492 S *	1/2008	Lu	D6/500
2005/0062323 A1 *	3/2005	Dicks	297/284.4

* cited by examiner

Primary Examiner—Mimosa De

(74) *Attorney, Agent, or Firm*—Alan Kamrath; Kamrath &
Associates PA

(57) **CLAIM**

The ornamental design for an office chair, as shown and described.

DESCRIPTION

FIG. 1 is a perspective view of an office chair showing my new design;

FIG. 2 is a front view thereof;

FIG. 3 is a rear view thereof;

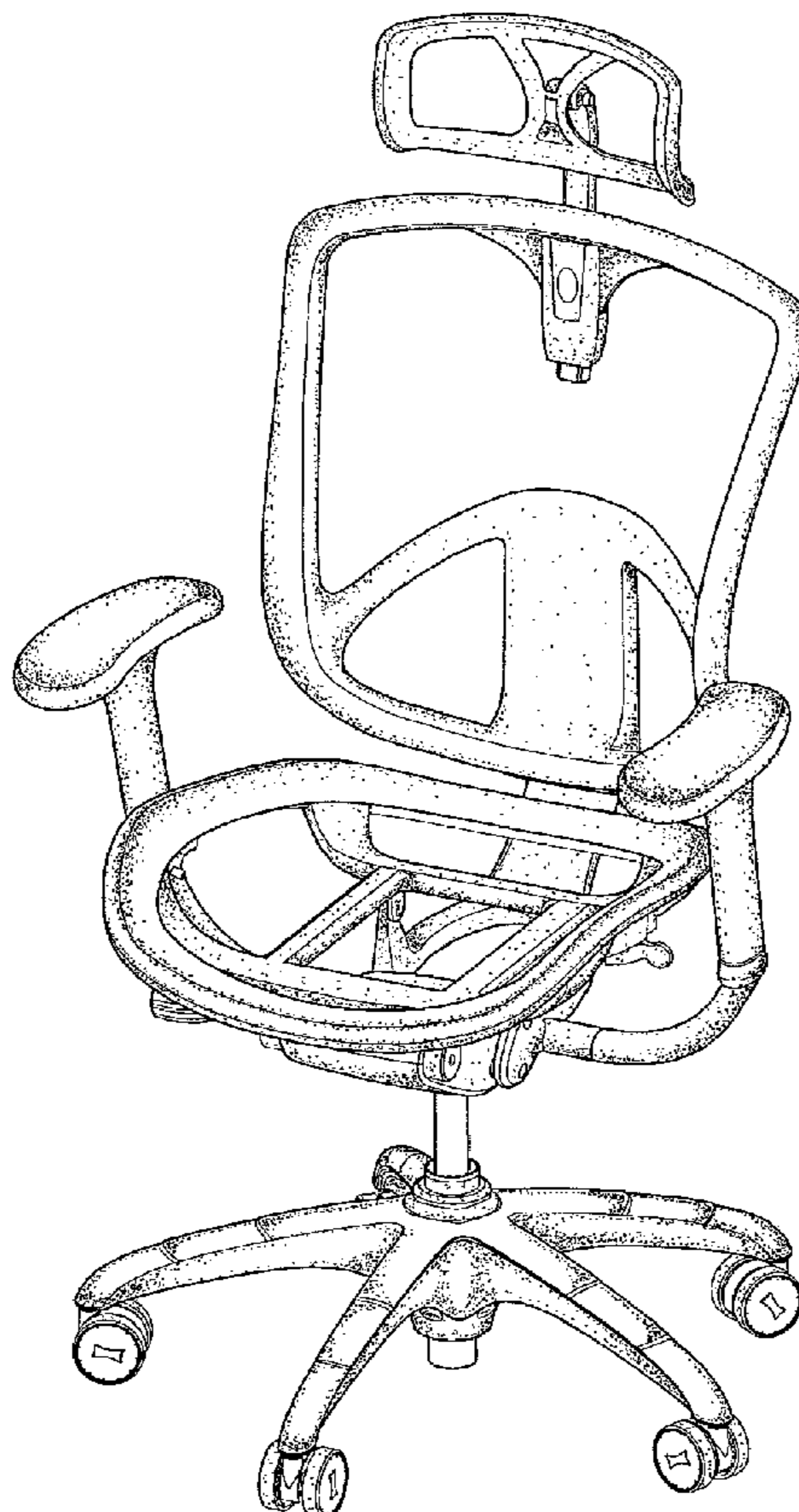
FIG. 4 is a left side elevational view thereof;

FIG. 5 is a right side elevational view thereof;

FIG. 6 is a top view thereof; and,

FIG. 7 is a bottom view thereof.

1 Claim, 7 Drawing Sheets



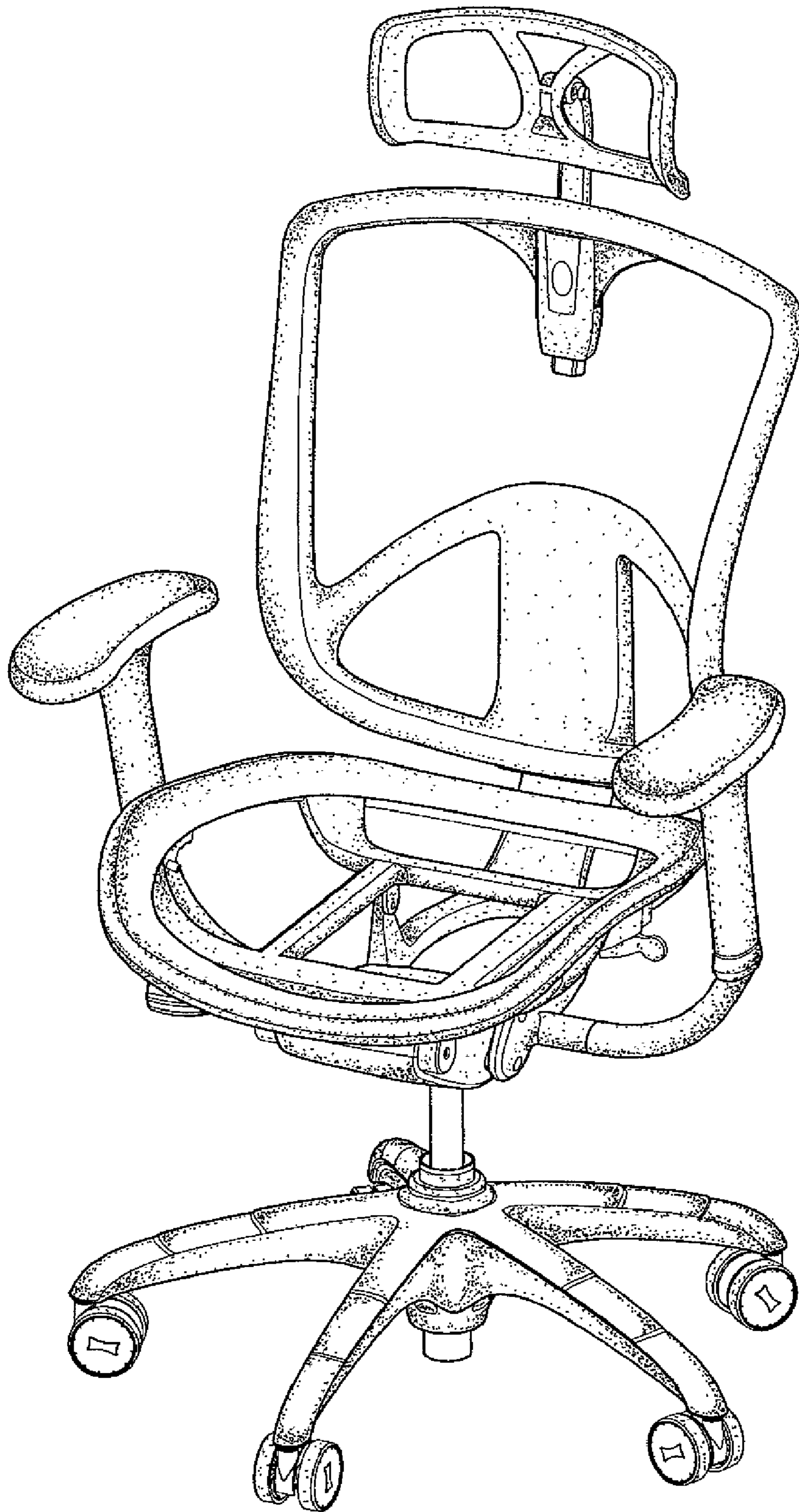


FIG. 1

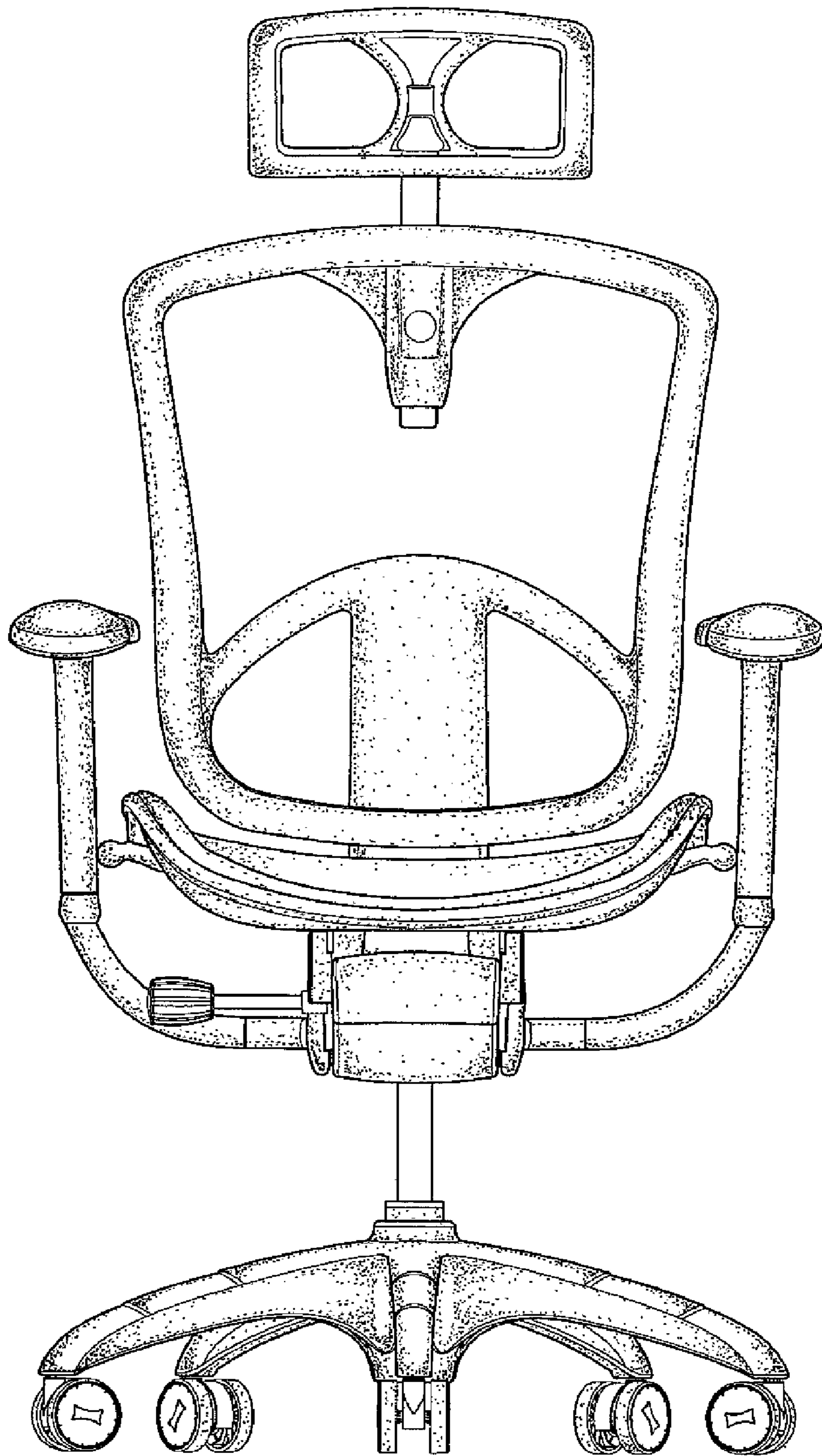


FIG. 2

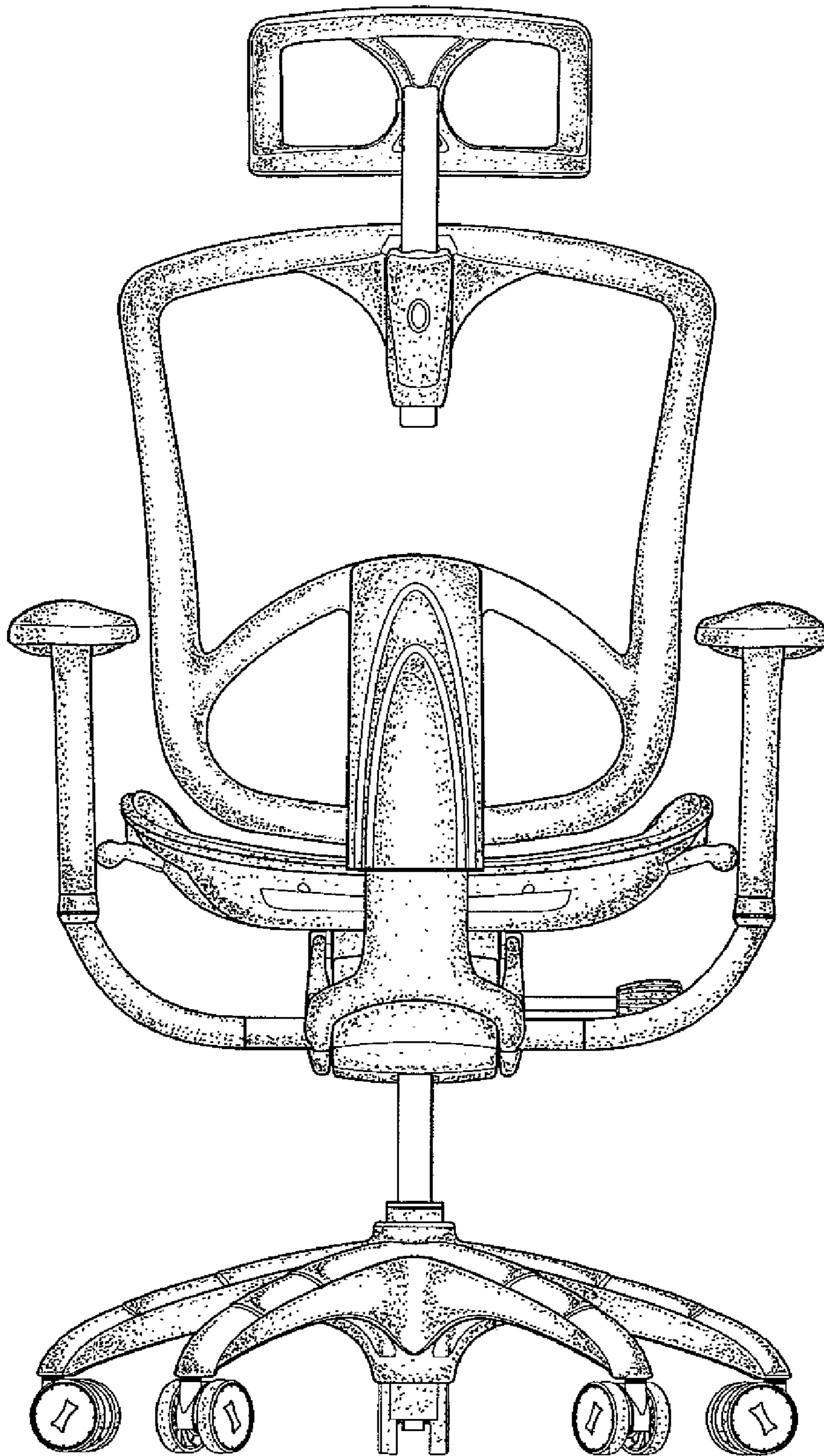


FIG. 3

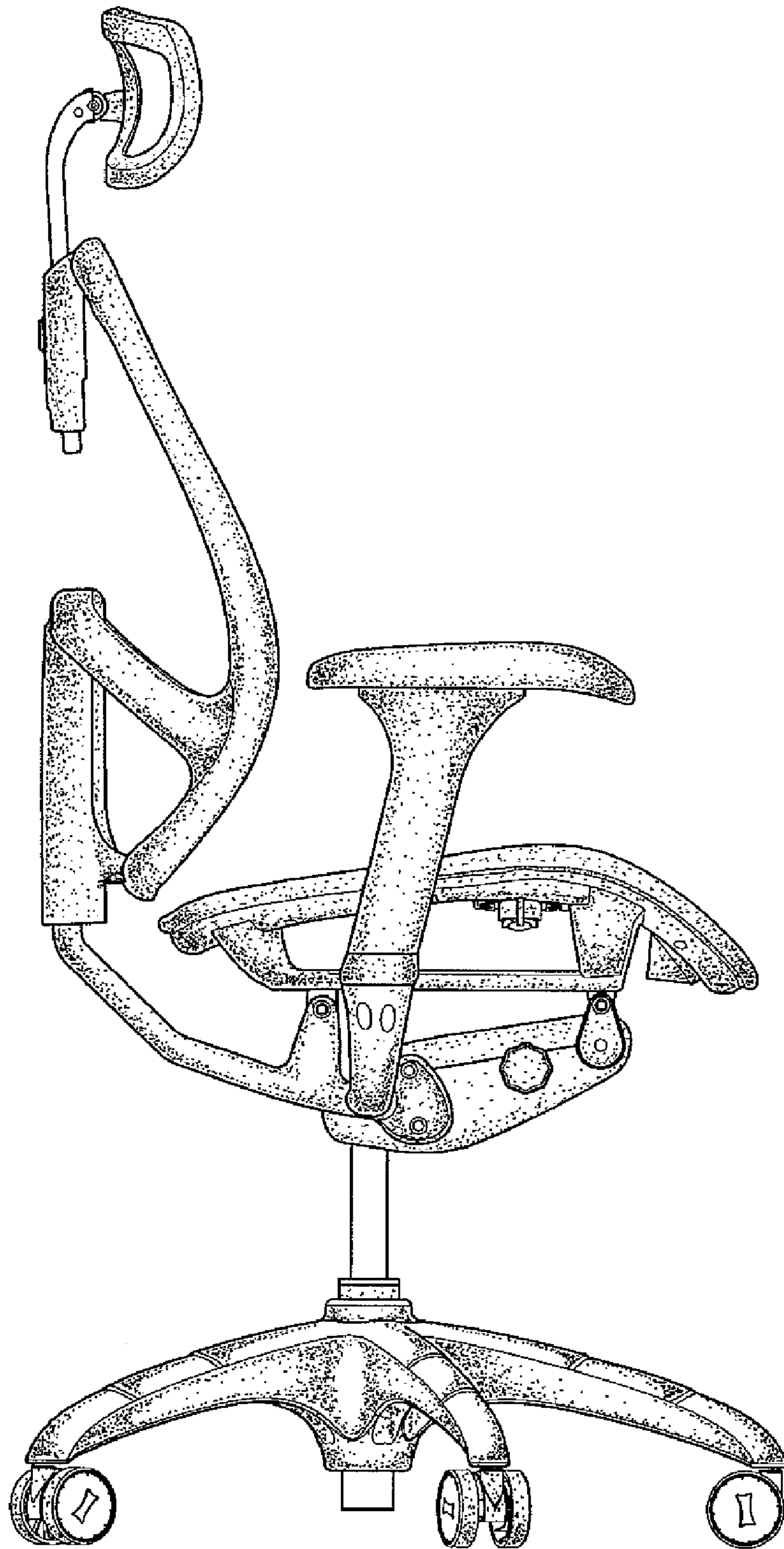


FIG. 4

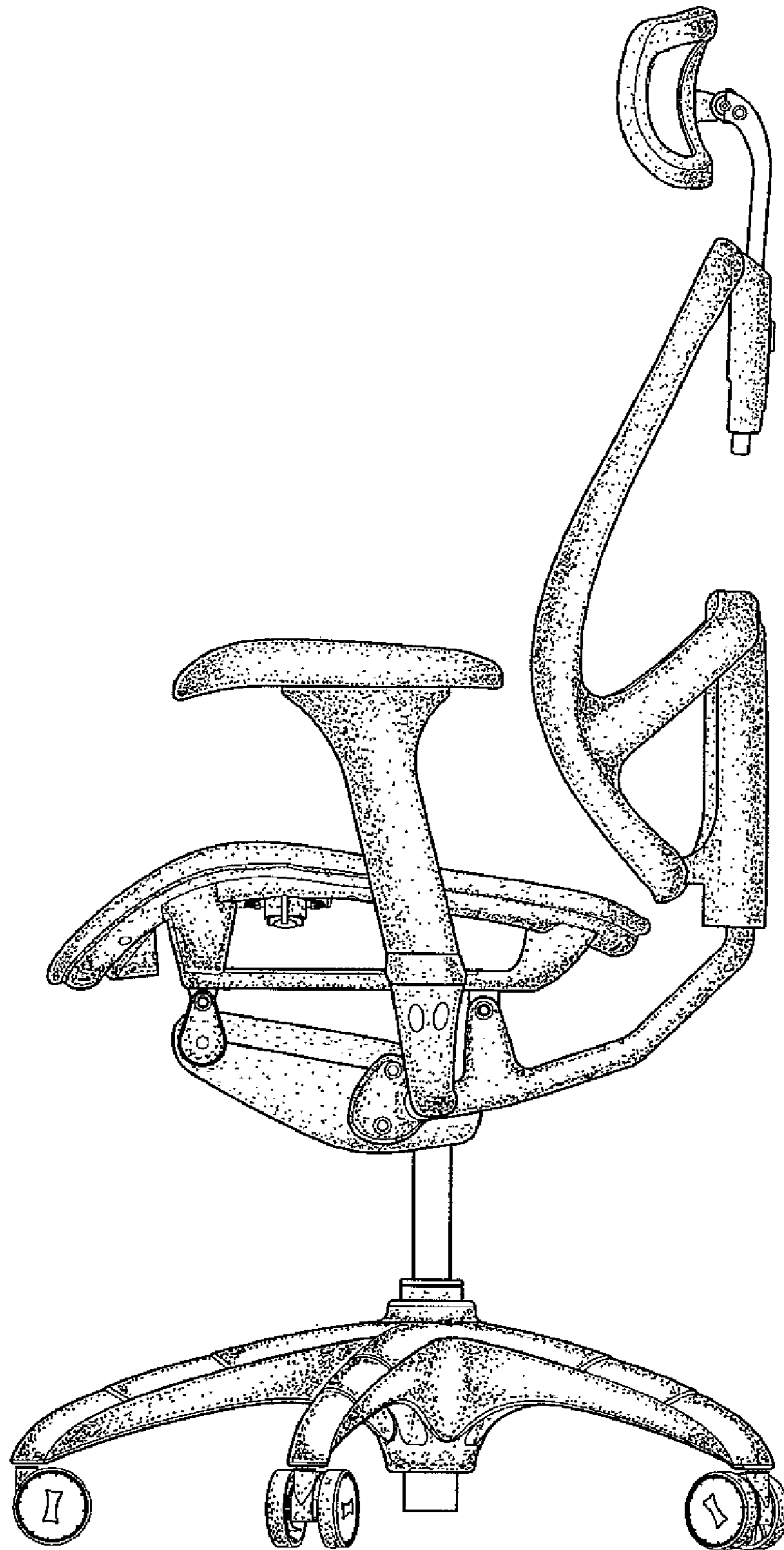


FIG. 5

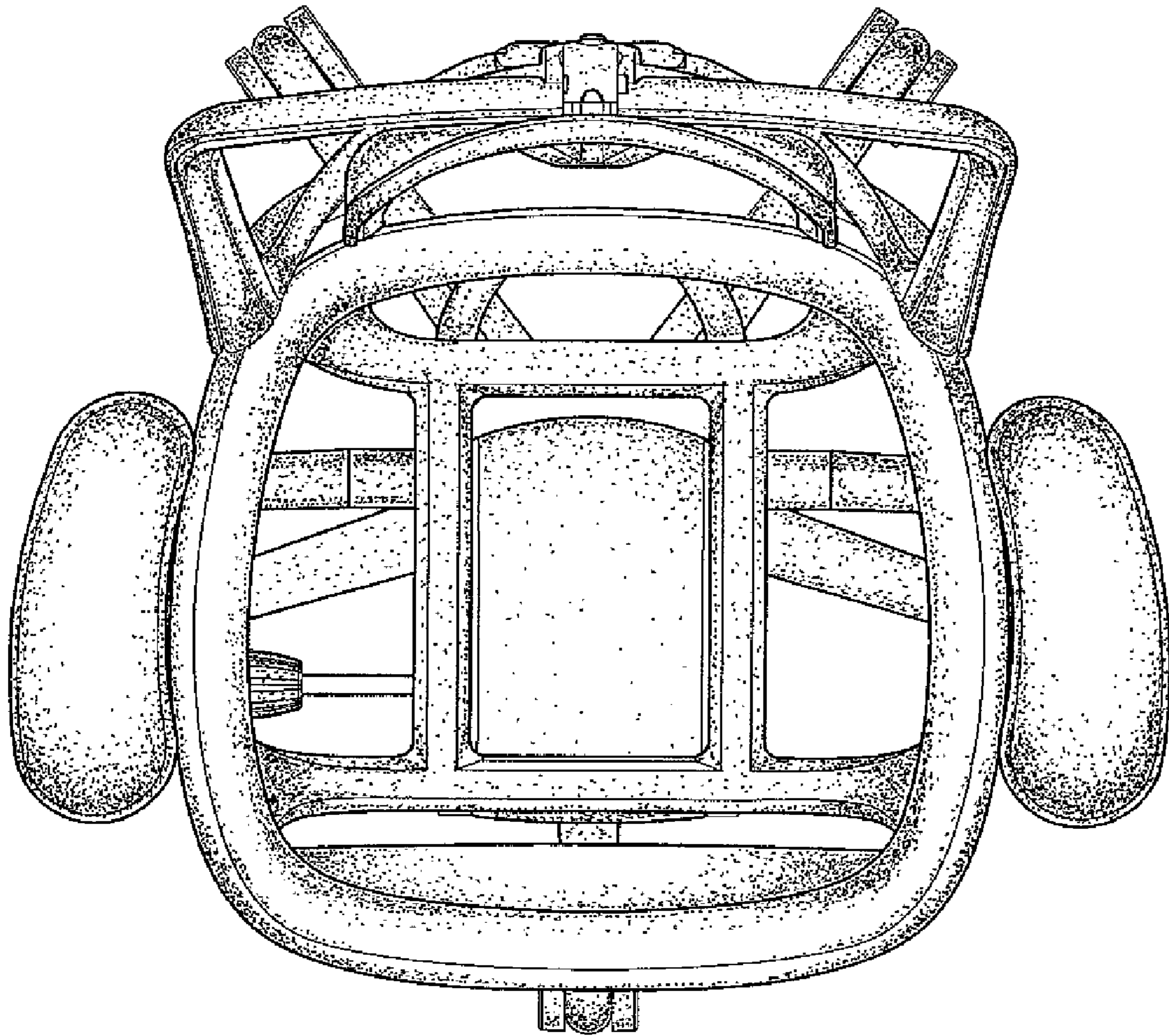


FIG. 6

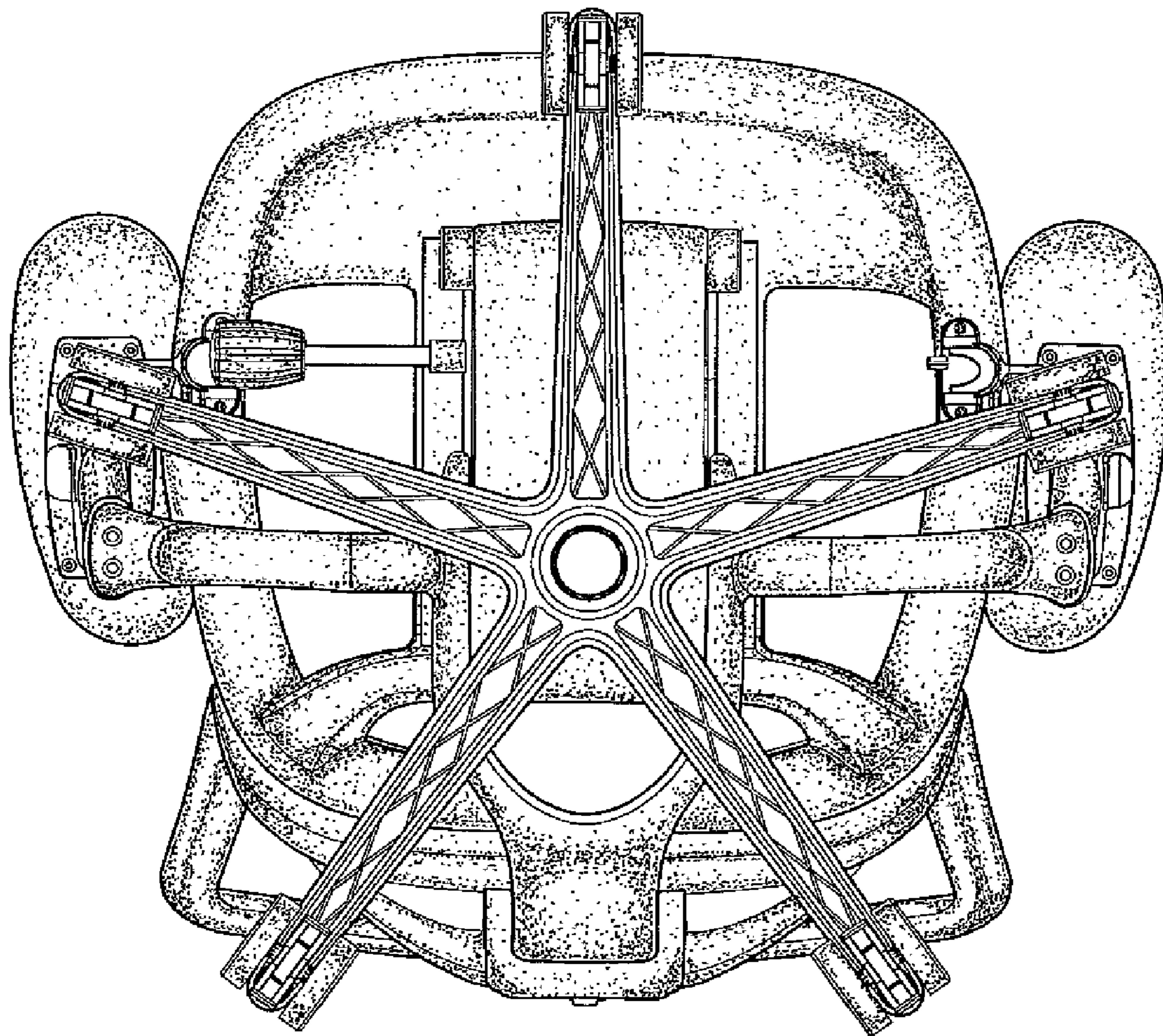


FIG. 7