



US00D568623S

(12) **United States Design Patent**
Dauphin

(10) **Patent No.:** **US D568,623 S**
(45) **Date of Patent:** **** May 13, 2008**

(54) **CHAIR**

(75) Inventor: **Elke Dauphin**, Offenhausen (DE)

(73) Assignee: **Dauphin Entwicklungs und
Beteiligungs**, Hersbruck (DE)

(**) Term: **14 Years**

(21) Appl. No.: **29/274,465**

(22) Filed: **Apr. 26, 2007**

Related U.S. Application Data

(62) Division of application No. 29/223,599, filed on Feb. 17, 2005.

(30) **Foreign Application Priority Data**

Aug. 17, 2004 (EP) 215249

(51) **LOC (8) Cl.** **06-01**

(52) **U.S. Cl.** **D6/366**

(58) **Field of Classification Search** D6/356-367,
D6/379, 498, 500-502; 297/411.2, 411.27,
297/411.28, 411.36, 452.29, 284.4, 452.3,
297/391, 393

See application file for complete search history.

(56) **References Cited**

U.S. PATENT DOCUMENTS

D313,703 S	1/1991	Moschini et al.	
D360,769 S	8/1995	Groulx et al.	
D405,618 S	2/1999	Reutepohler et al.	
D407,911 S *	4/1999	Brauning	D6/366
D418,316 S	1/2000	Vogtherr	
D430,746 S	9/2000	Gagnon et al.	
D436,260 S *	1/2001	Nagamitsu	D6/366
D437,701 S	2/2001	Bellini et al.	
D446,033 S *	8/2001	Koepke et al.	D6/366
D446,400 S	8/2001	Schultz et al.	
D469,618 S *	2/2003	Nagamitsu	D6/366

D481,548 S	11/2003	Piretti	
D483,192 S	12/2003	Frenkler et al.	
D490,621 S *	6/2004	Newhouse	D6/366
D499,895 S *	12/2004	Olson et al.	D6/366
D535,112 S *	1/2007	Bennett et al.	D6/366
D541,061 S *	4/2007	Benden et al.	D6/366
D543,717 S *	6/2007	Chen	D6/366
D544,720 S *	6/2007	Berbegal Perez	D6/366
D549,473 S *	8/2007	Wagner	D6/366

* cited by examiner

Primary Examiner—Robert M. Spear

Assistant Examiner—Katrina A Kile

(74) *Attorney, Agent, or Firm*—Browdy and Neimark

(57) **CLAIM**

The ornamental design for a chair, as shown.

DESCRIPTION

FIG. 1 is a right side elevational view of a first embodiment of a chair according to my new design.

FIG. 2 is a left side elevational view thereof;

FIG. 3 is a front elevational view thereof;

FIG. 4 is a rear elevational view thereof;

FIG. 5 is a top plan view thereof;

FIG. 6 is a bottom plan view thereof;

FIG. 7 is a perspective view of a second embodiment of a chair according to my new design, viewed from behind;

FIG. 8 is a right side elevational view thereof;

FIG. 9 is a left side elevational view thereof;

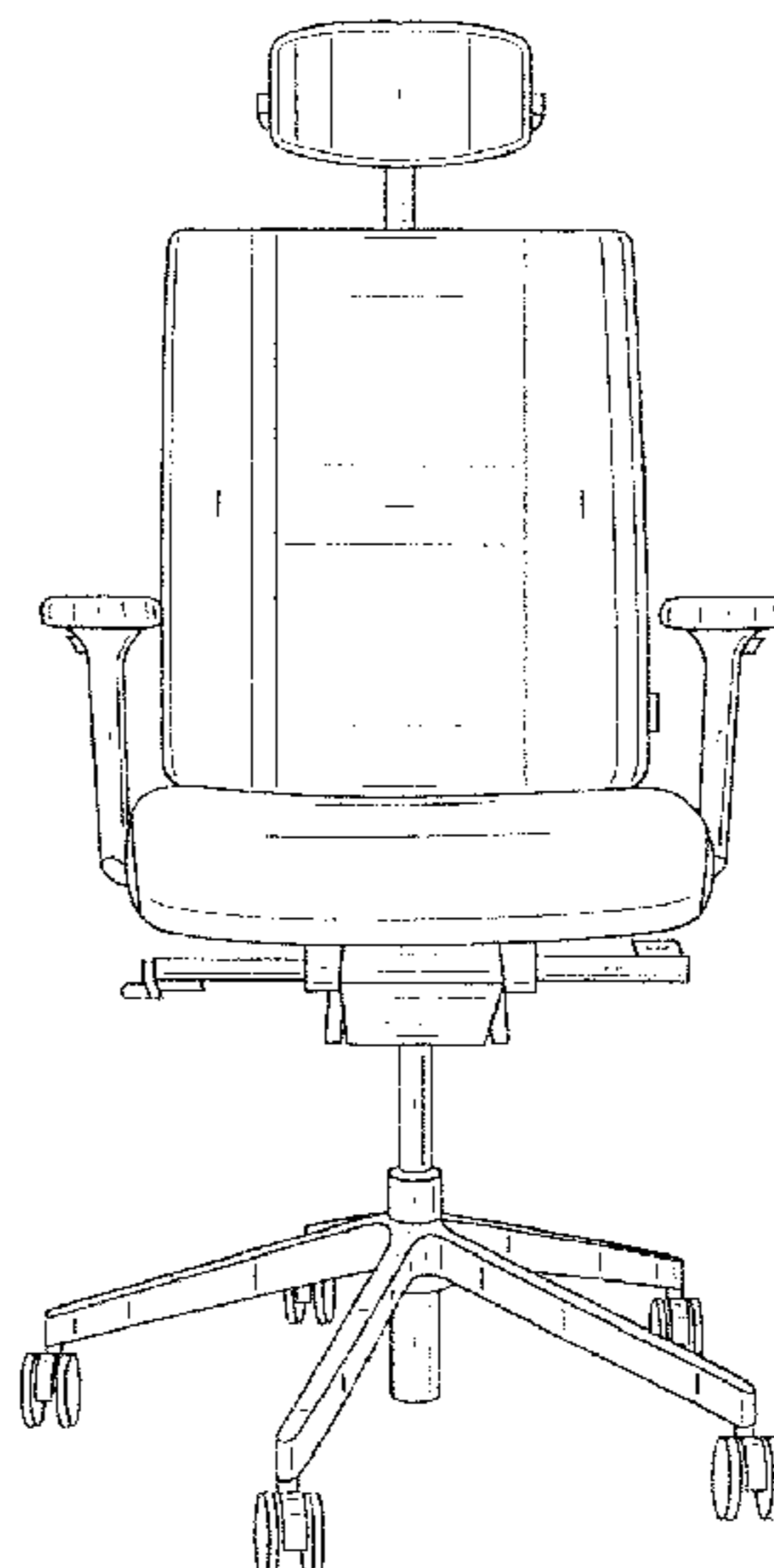
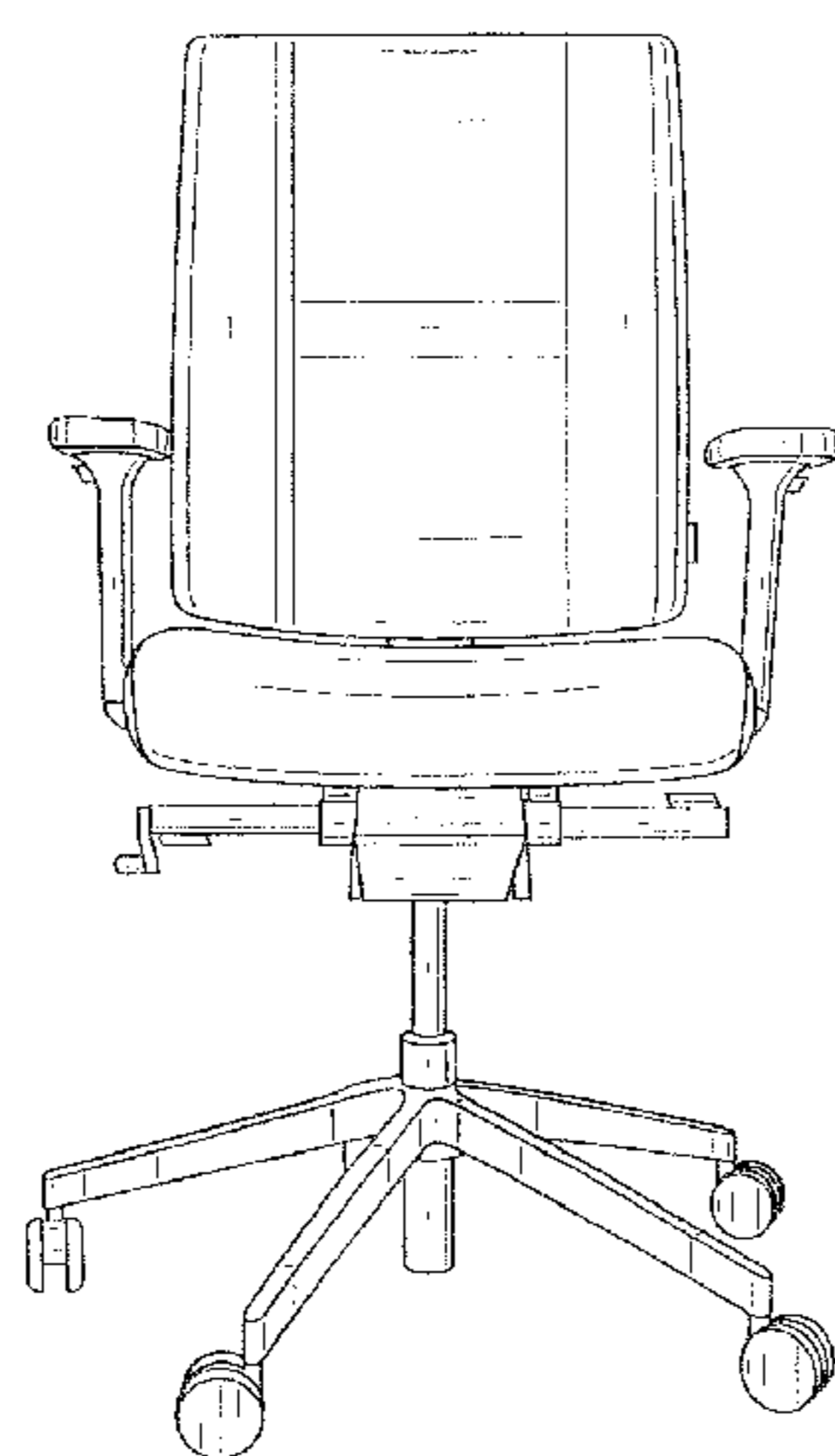
FIG. 10 is a front elevational view thereof;

FIG. 11 is a rear elevational view thereof;

FIG. 12 is a top plan view thereof; and,

FIG. 13 is a bottom plan view thereof.

1 Claim, 7 Drawing Sheets



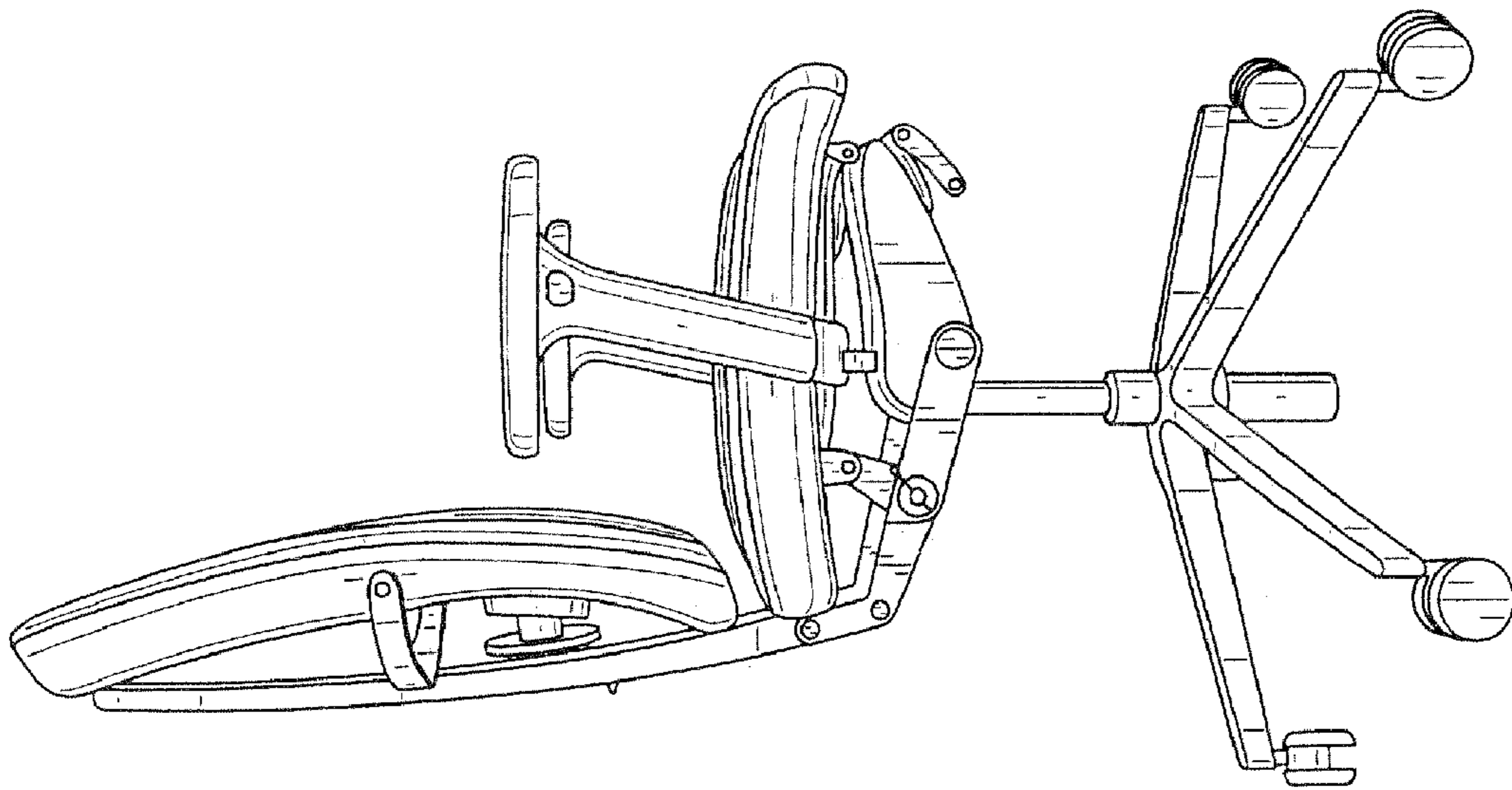


FIG. 2

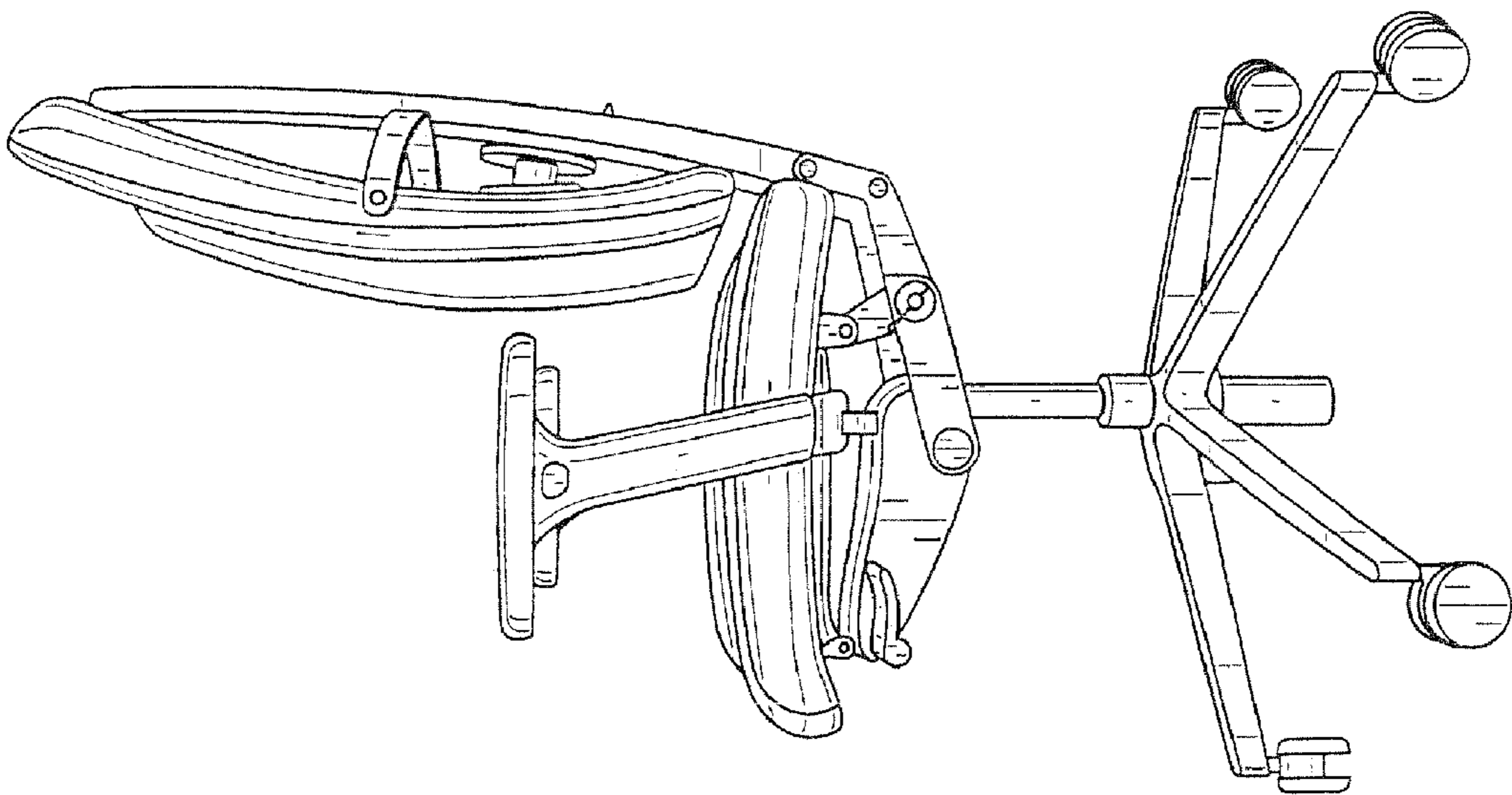


FIG. 1

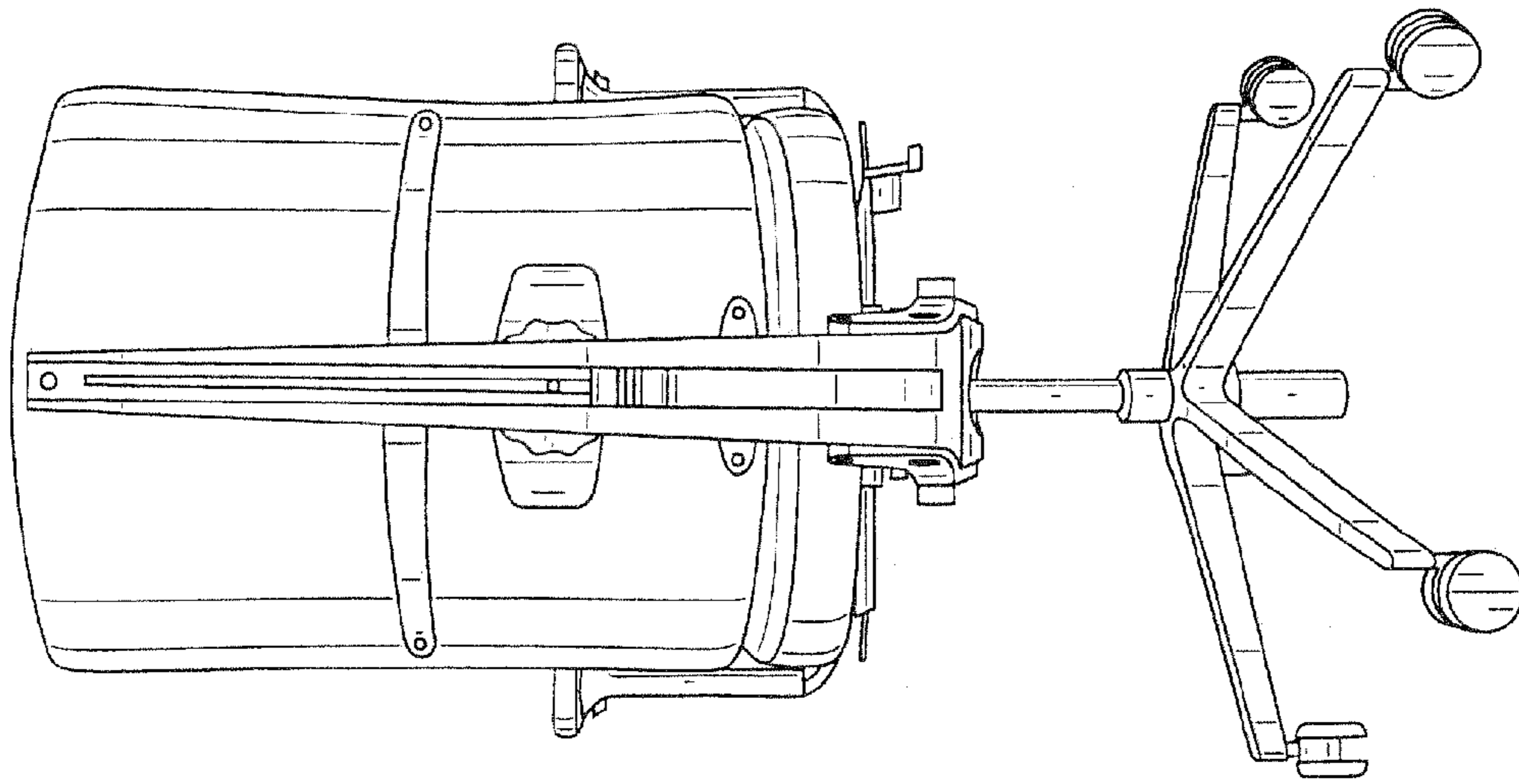


FIG. 4

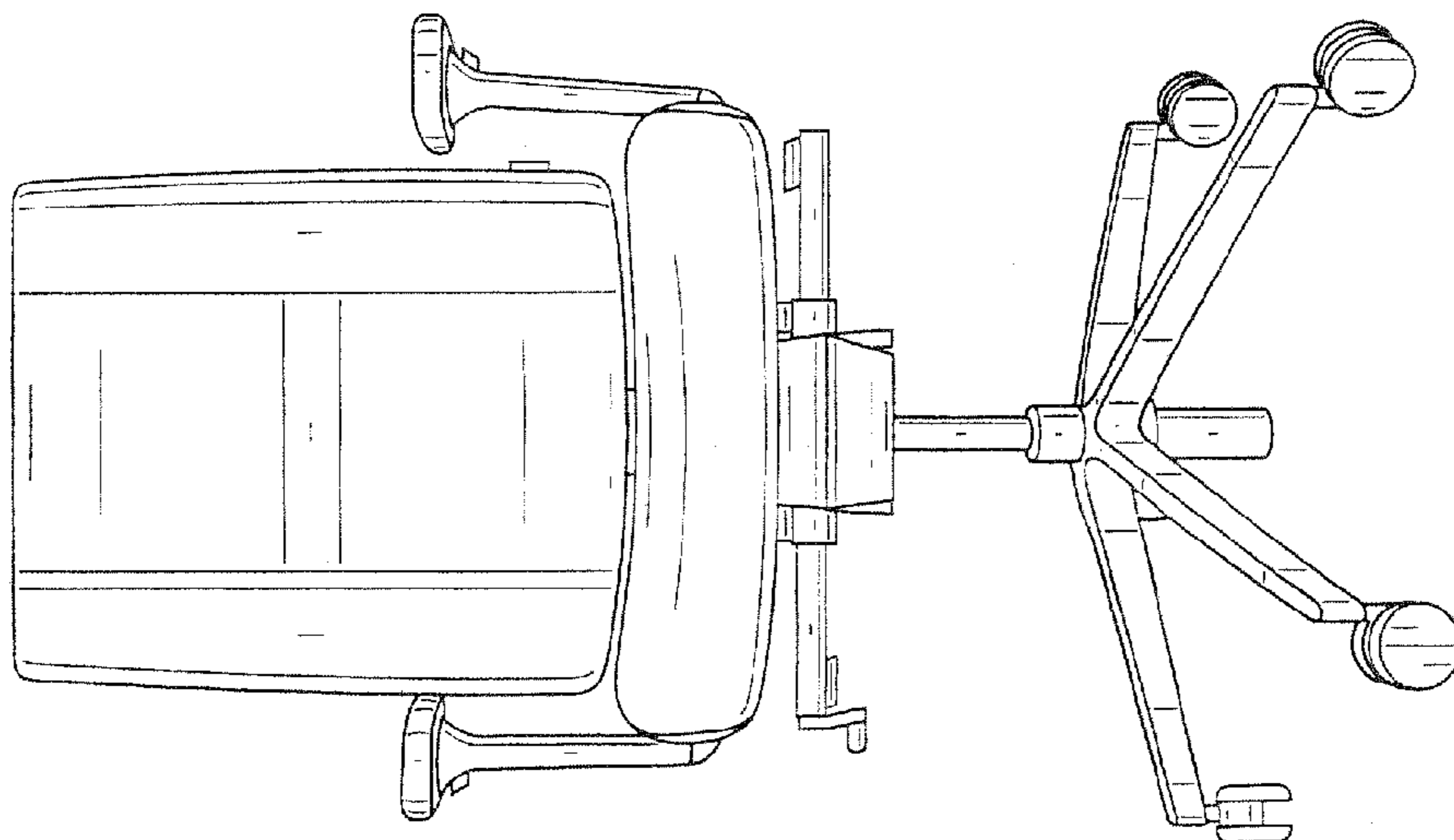


FIG. 3

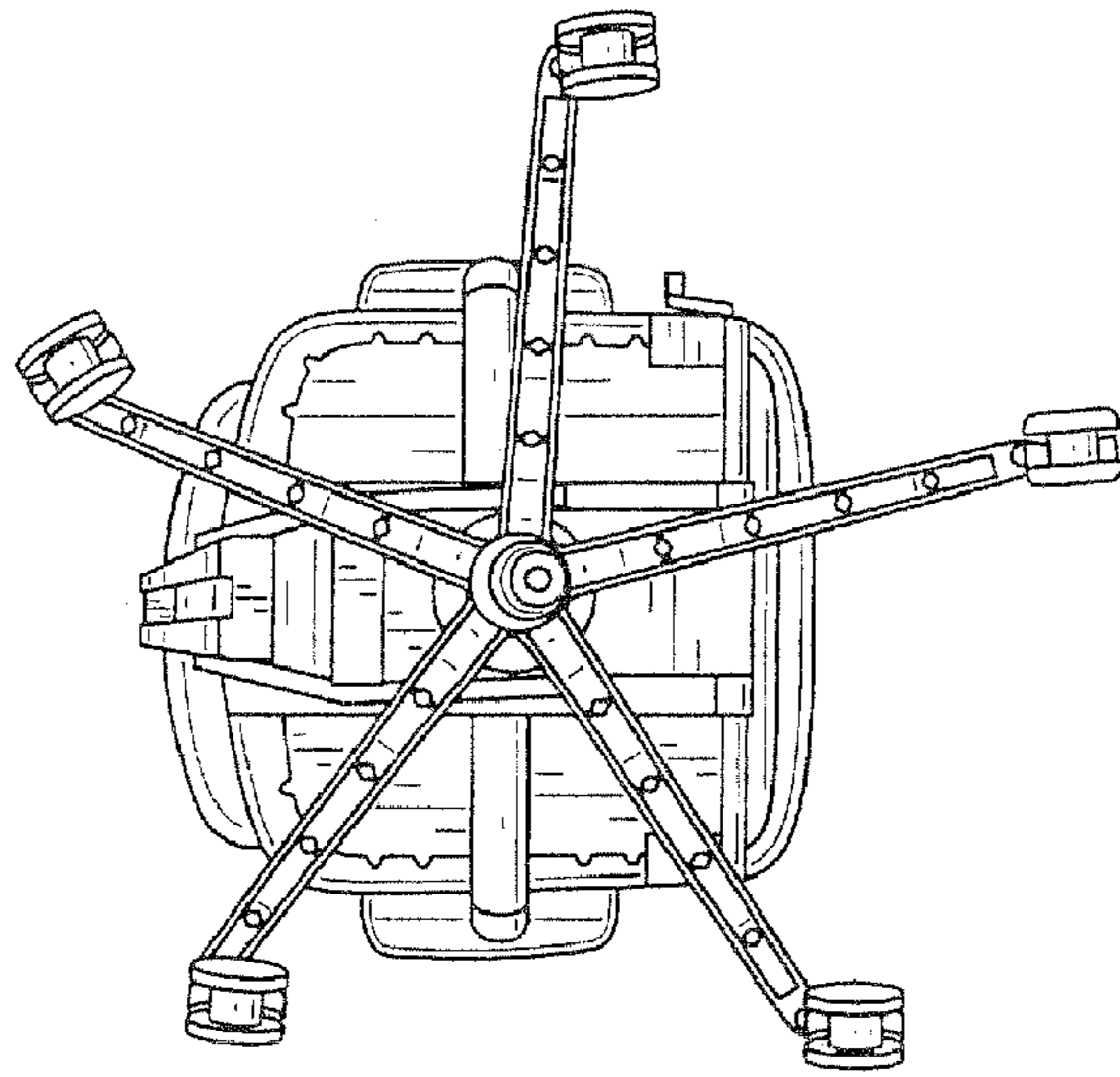


FIG. 6

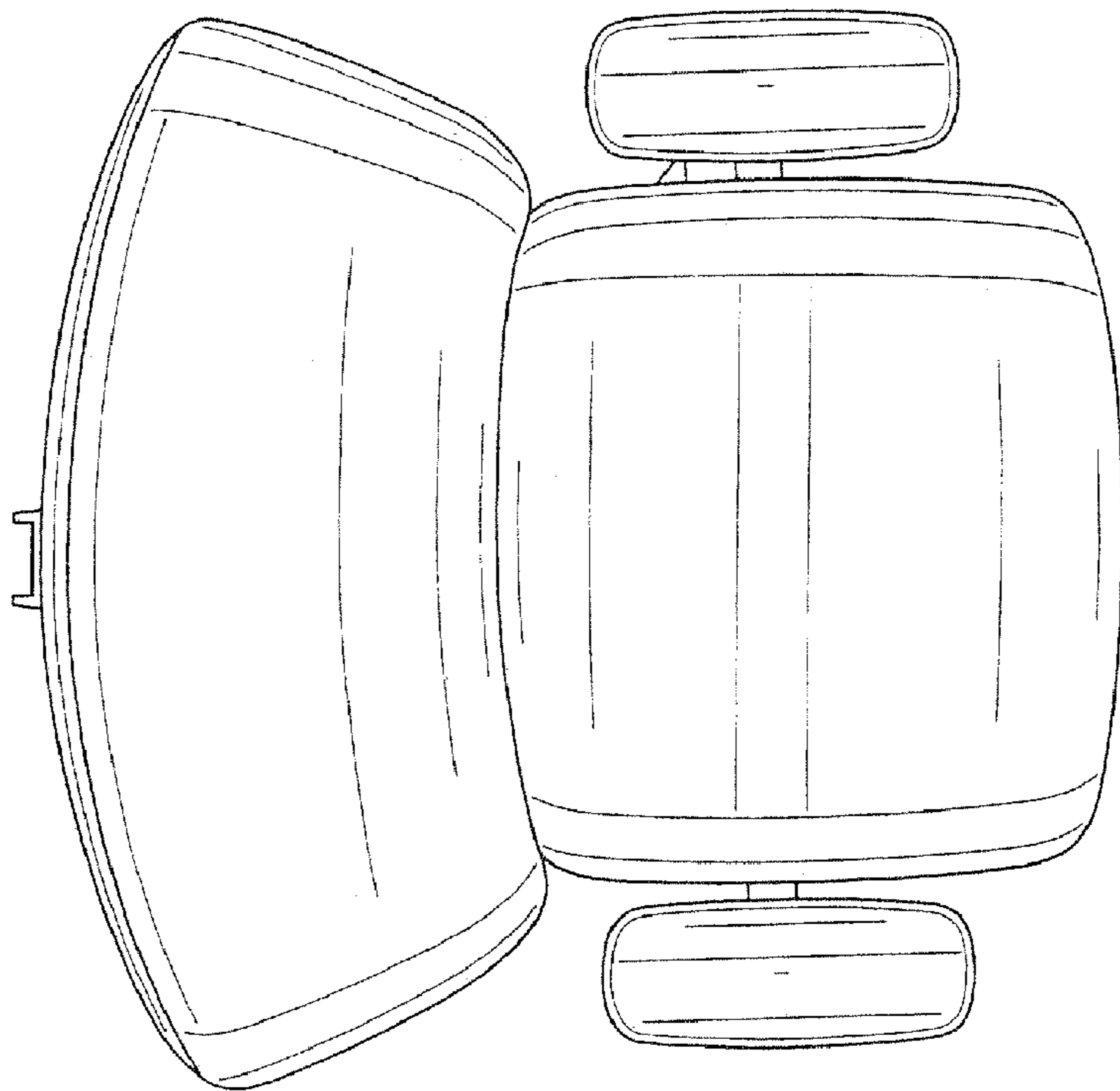


FIG. 5

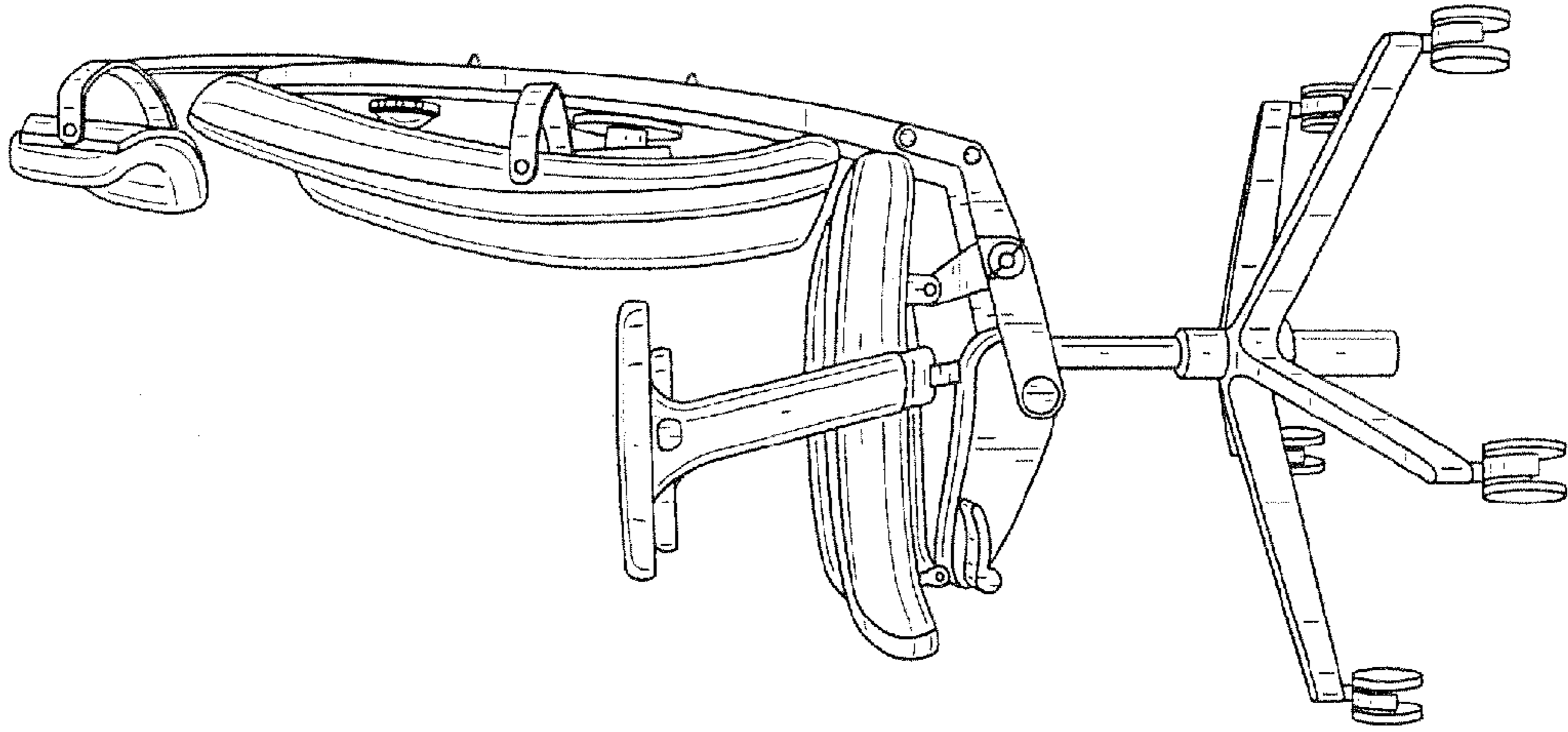


FIG. 8

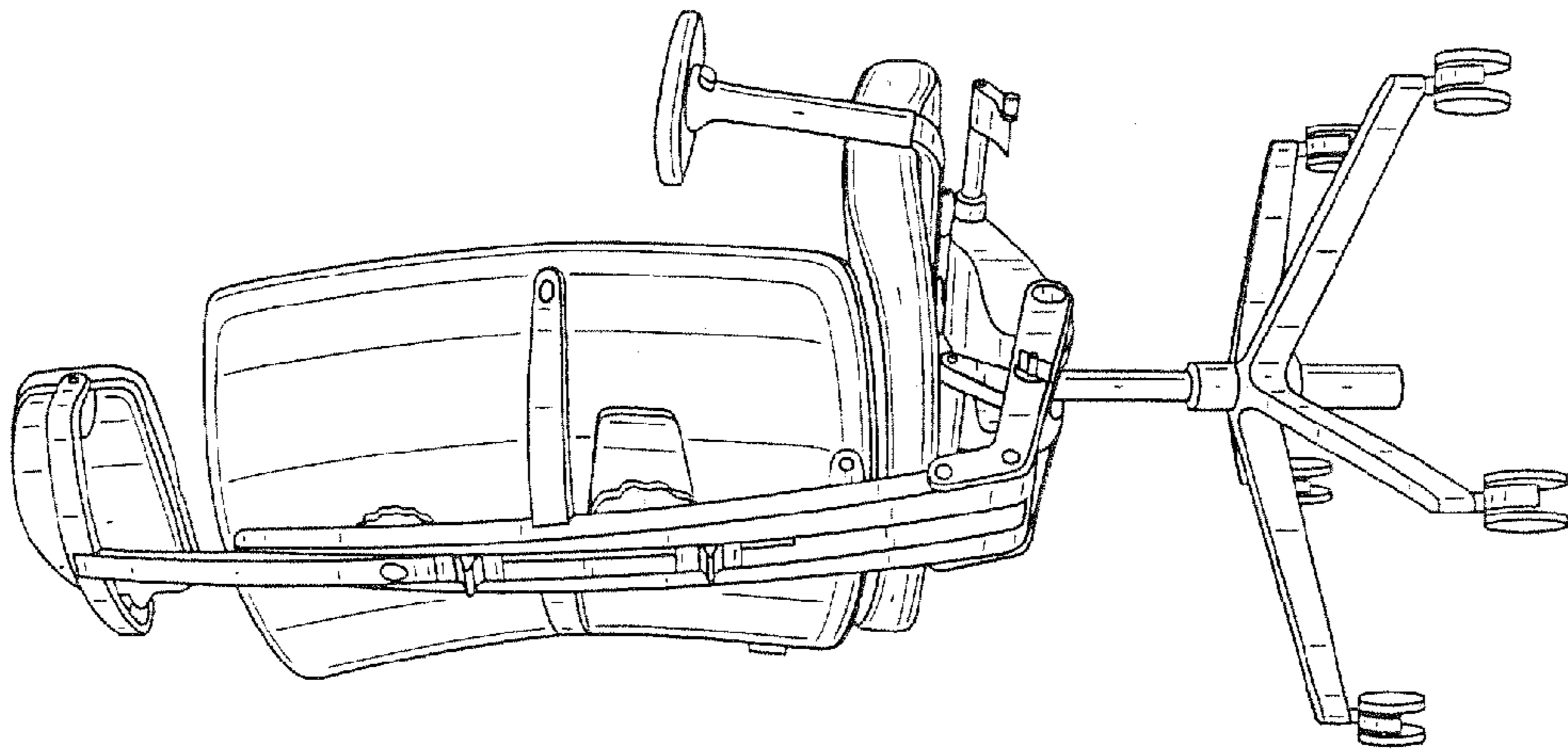


FIG. 7

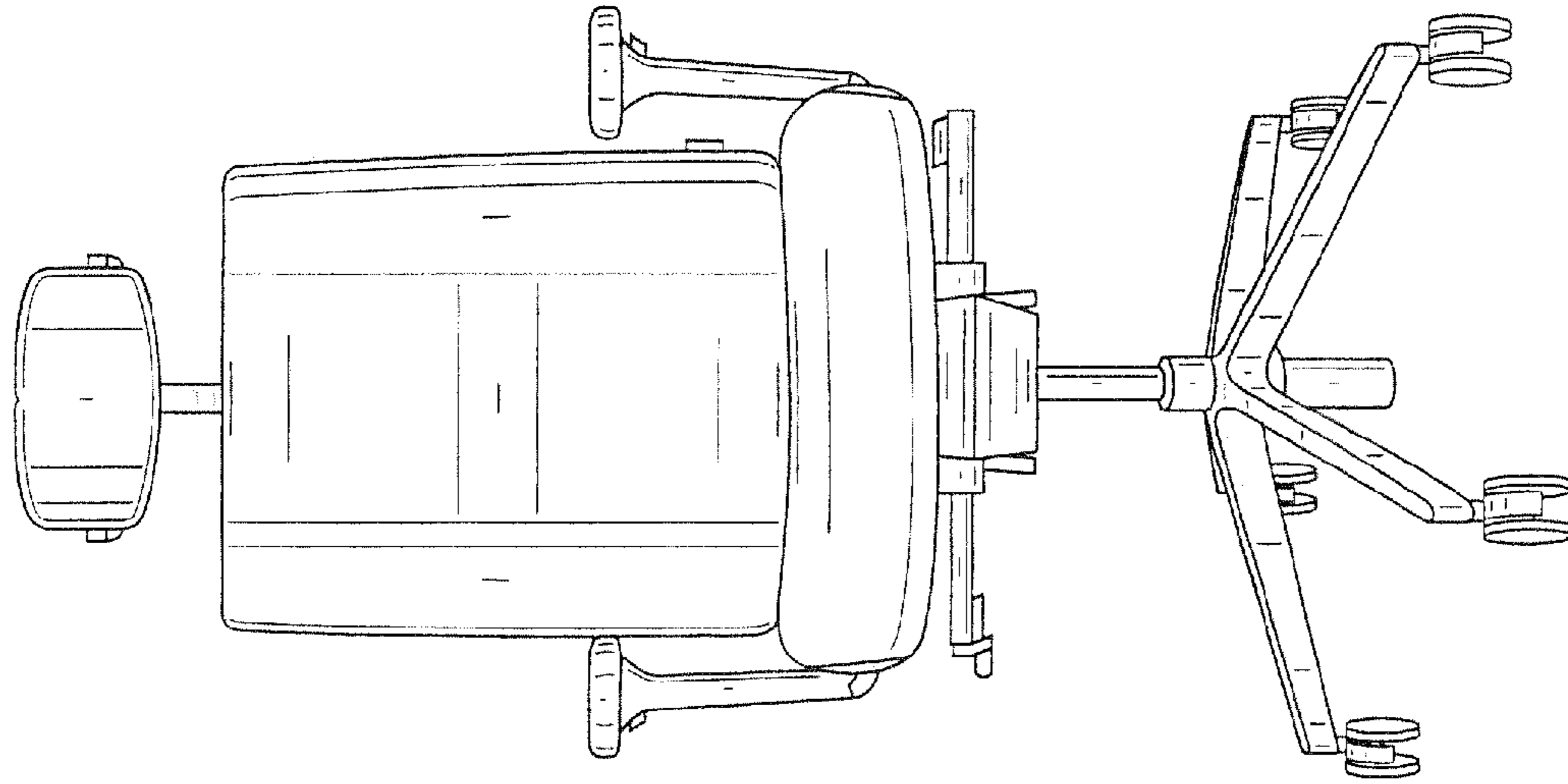


FIG. 10

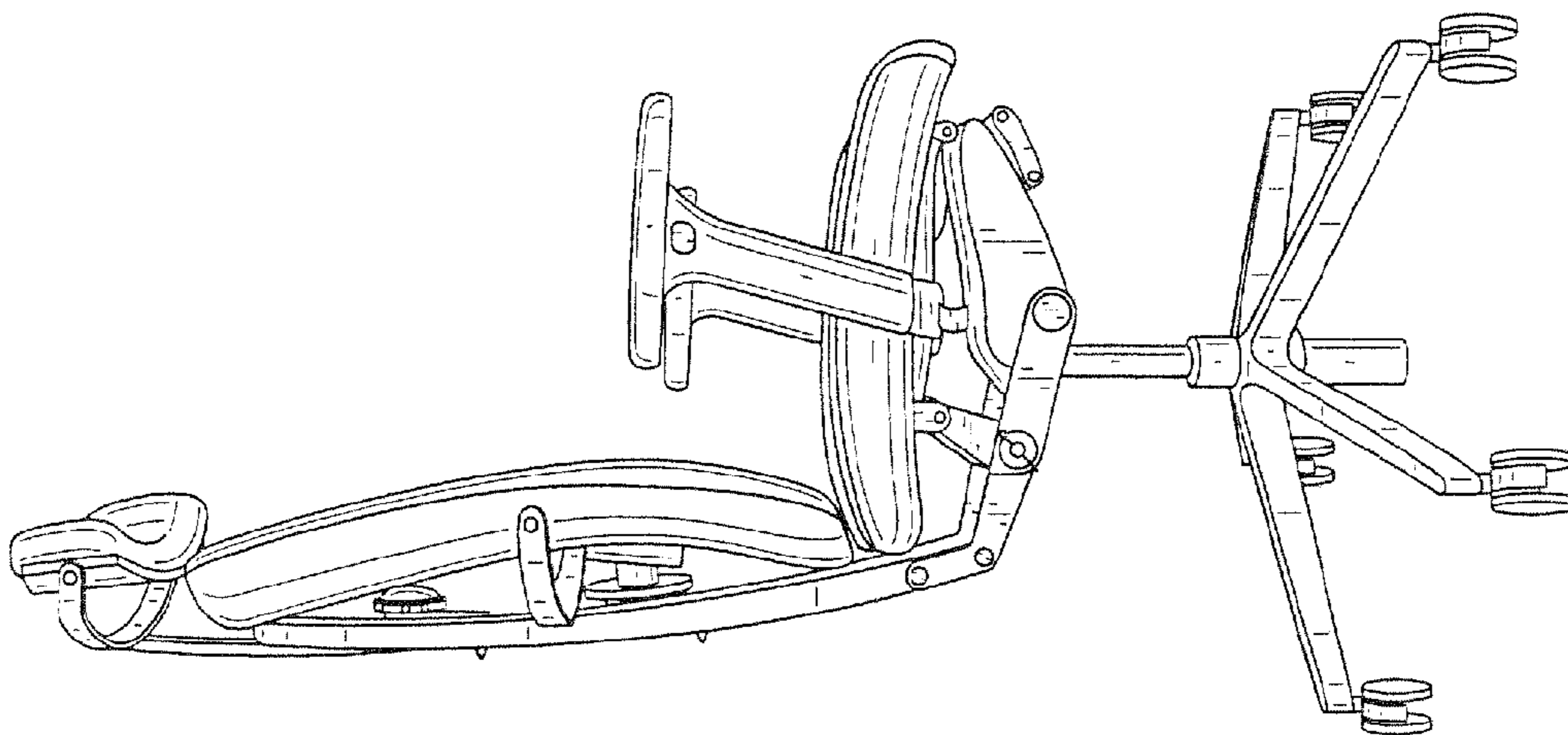


FIG. 9

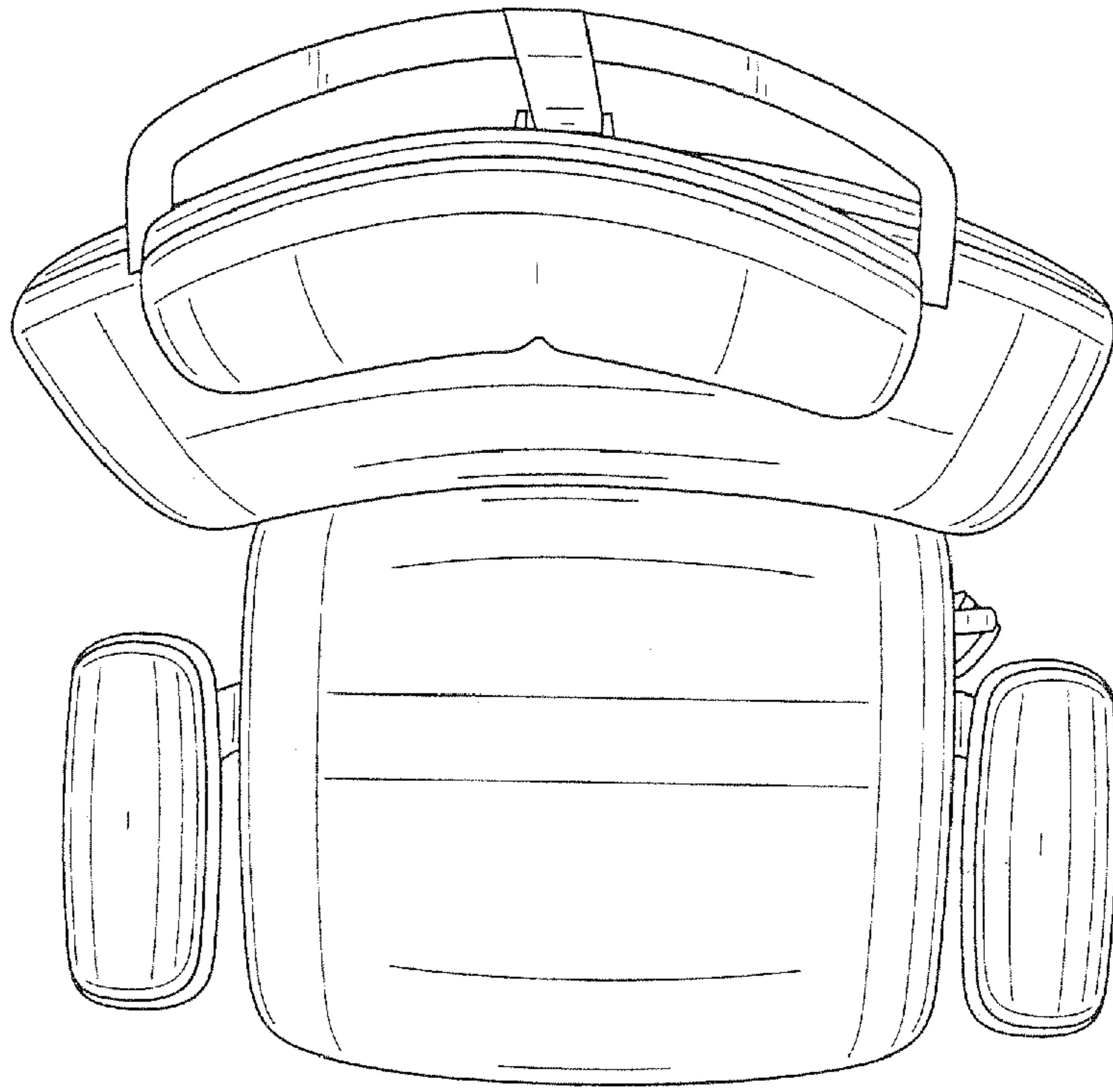


FIG. 12

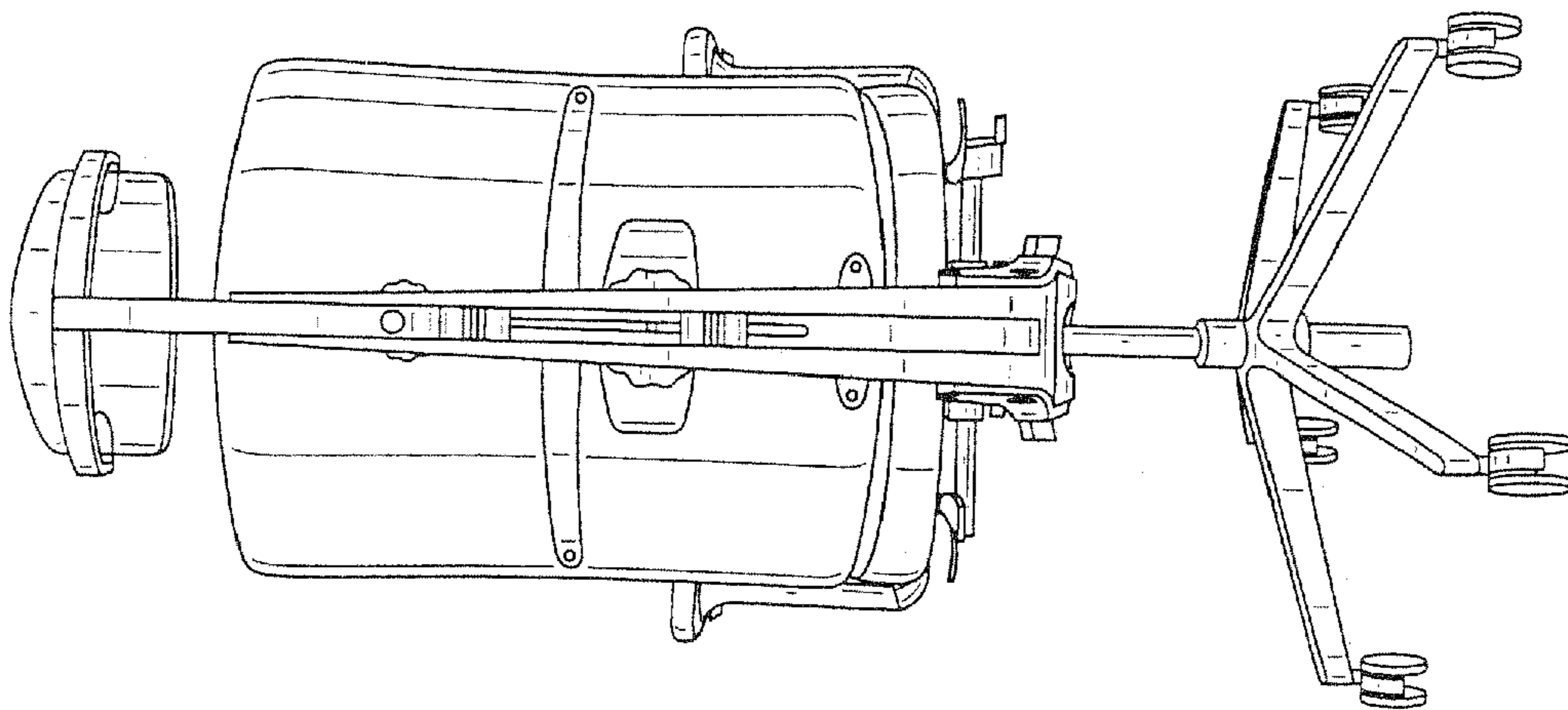


FIG. 11

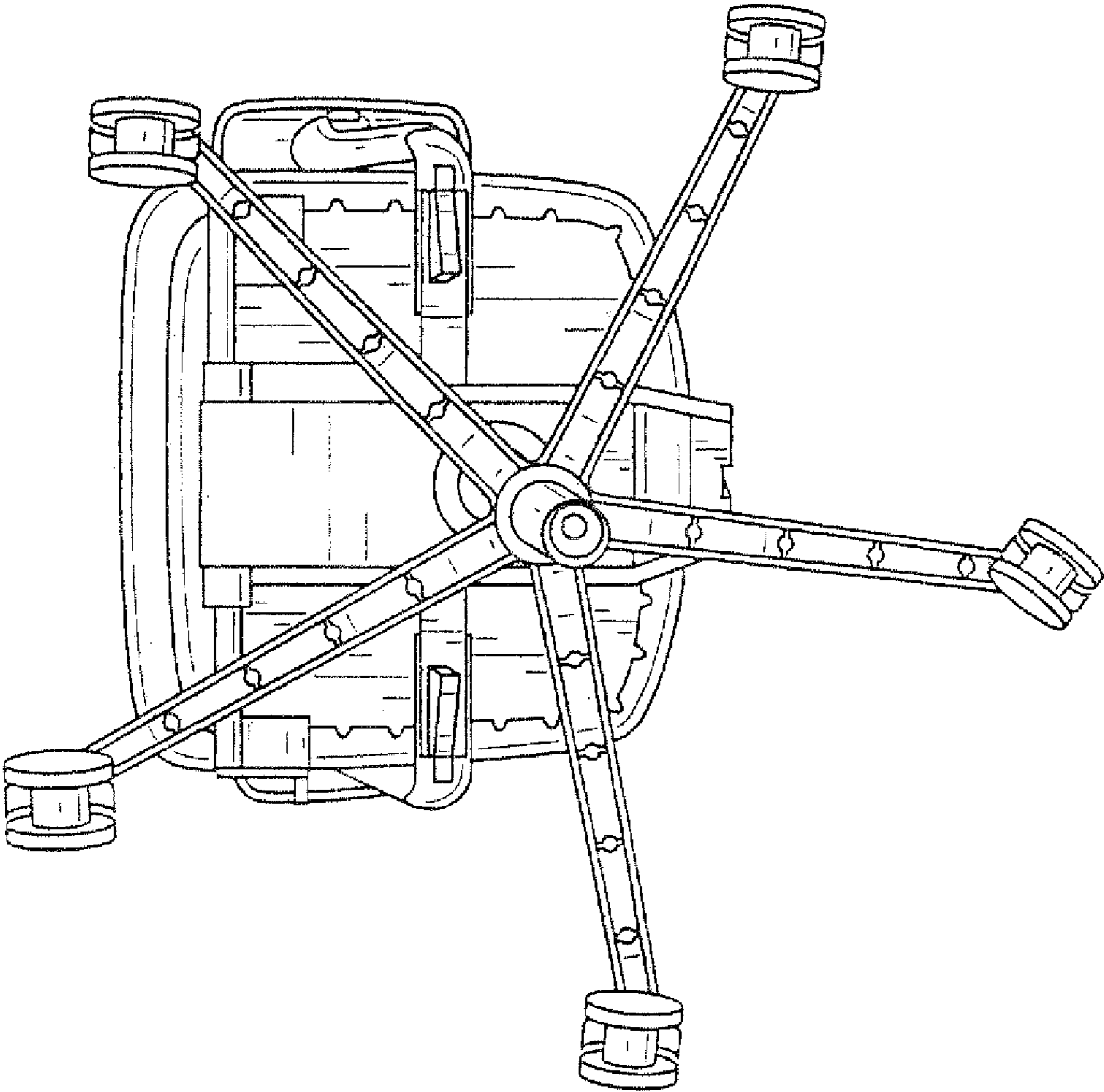


FIG. 13