



US00D568619S

(12) **United States Design Patent**
Worrell

(10) **Patent No.:** **US D568,619 S**

(45) **Date of Patent:** **** May 13, 2008**

(54) **HAT RACK**

(76) Inventor: **Bill Worrell**, 8111 Lower Willow Creek Rd., Mason, TX (US) 76856

(**) Term: **14 Years**

(21) Appl. No.: **29/279,027**

(22) Filed: **Apr. 18, 2007**

(51) **LOC (8) Cl.** **06-08**

(52) **U.S. Cl.** **D6/317; D6/320; D6/324**

(58) **Field of Classification Search** D6/315,
D6/317, 320, 324, 327, 328, 462, 566; D8/370;
211/13.1, 31, 32, 85.3, 86.01; 248/311.2,
248/315

See application file for complete search history.

(56) **References Cited**

U.S. PATENT DOCUMENTS

4,821,891 A *	4/1989	Williams	211/31
D357,842 S *	5/1995	Cohrs	D6/566
D366,766 S *	2/1996	Bennett	D6/320
D376,058 S *	12/1996	Fard	D6/462
5,662,301 A *	9/1997	Fard	248/315
D395,389 S *	6/1998	Liddie et al.	D8/370
5,984,251 A *	11/1999	Davis	248/311.2
6,293,413 B1 *	9/2001	Patton	211/32

* cited by examiner

Primary Examiner—Mitchell Siegel
Assistant Examiner—Shanda C. Hill

(74) *Attorney, Agent, or Firm*—The Law Firm of H. Dale Langley, Jr. P.C.

(57) **CLAIM**

The ornamental design for a hat rack, as shown and described.

DESCRIPTION

FIG. 1 is a right side perspective view of a hat rack showing my new design;

FIG. 2 is a rear, right side perspective thereof;

FIG. 3 is a front elevational thereof;

FIG. 4 is a rear elevational thereof;

FIG. 5 is a top plan thereof;

FIG. 6 is a bottom plan thereof;

FIG. 7 is a left side elevational thereof;

FIG. 8 is a right side perspective view of an alternate embodiment of the hat rack of FIG. 1 showing the broken line environmental structure of a hat;

FIG. 9 is a right side perspective view of an alternate embodiment of FIG. 8 shown without the broken line environmental structure; and,

FIG. 10 is a rear, right side perspective of FIG. 9.

The broken line showing a hat in certain of the Figures is for illustrative purposes only and does not form part of the claimed design.

1 Claim, 9 Drawing Sheets

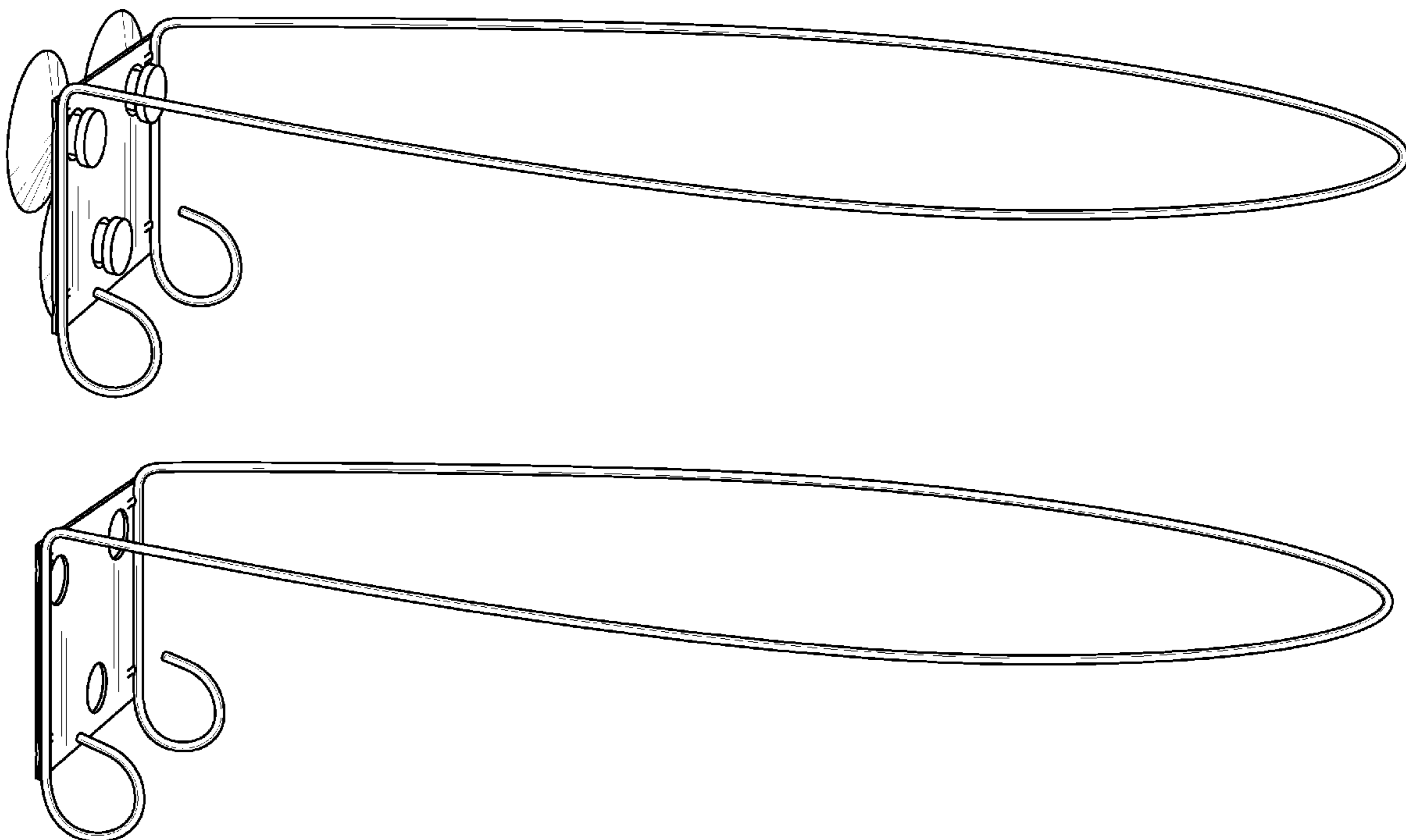




FIG. 1

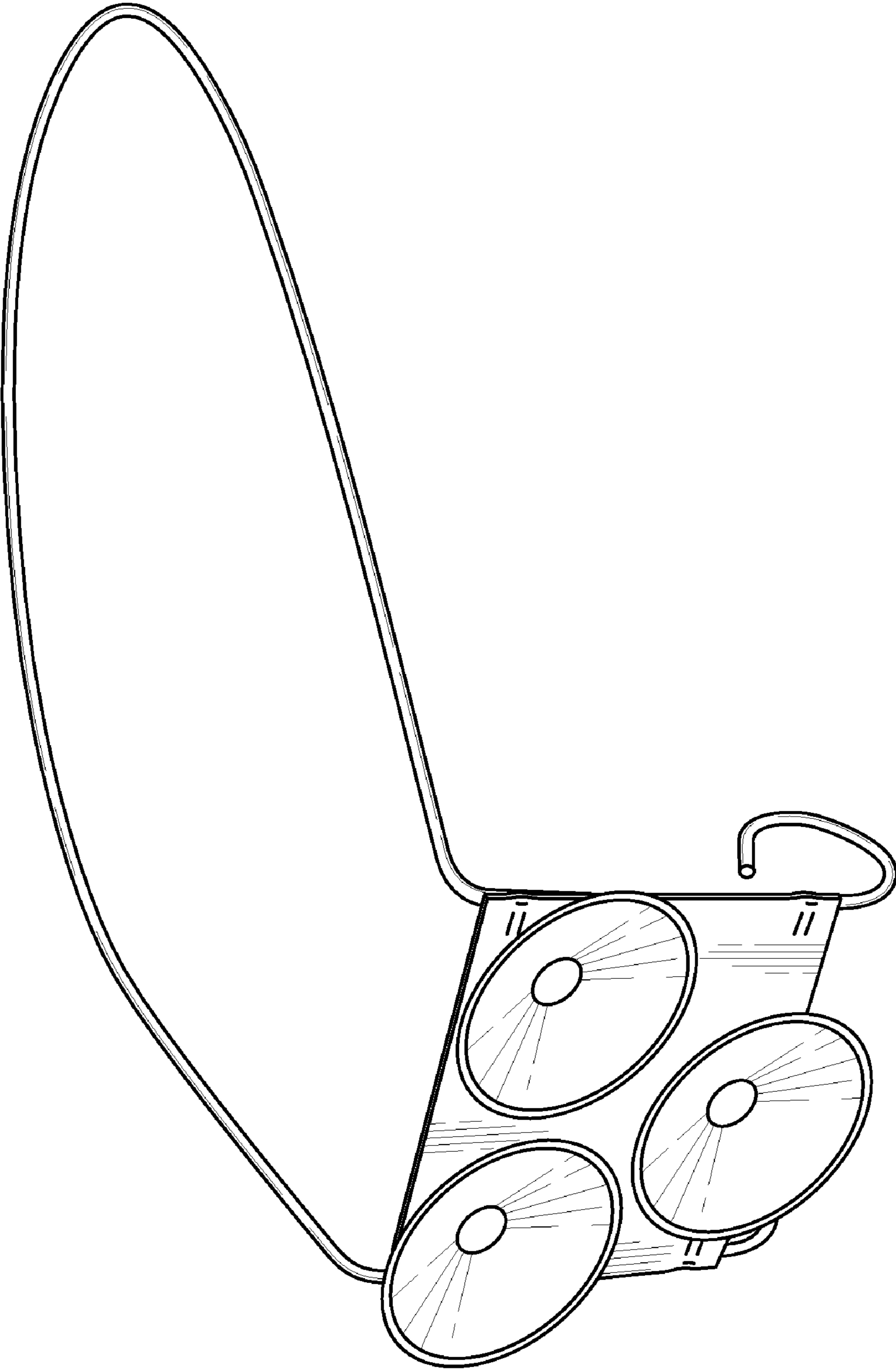


FIG. 2

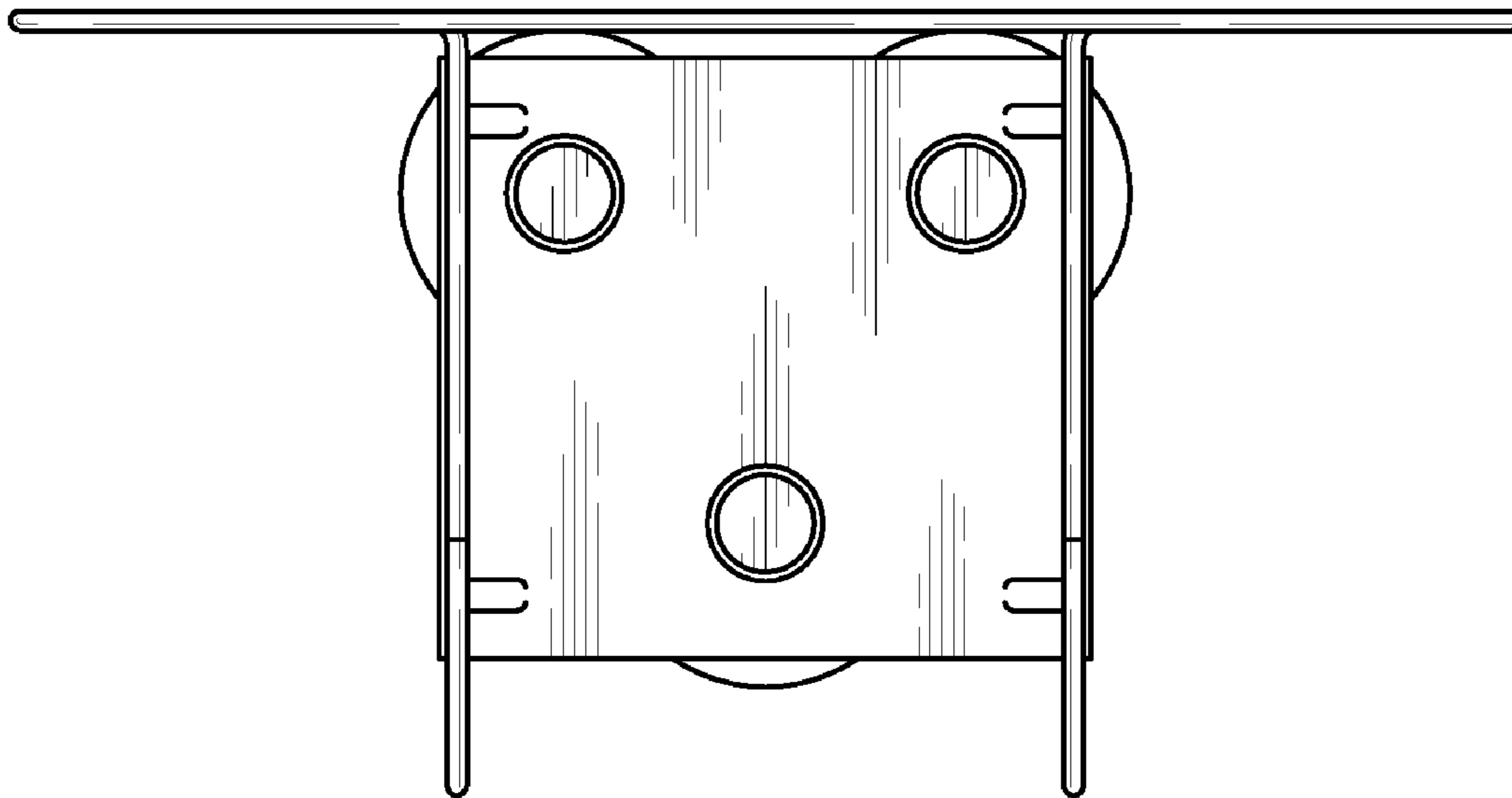


FIG. 3

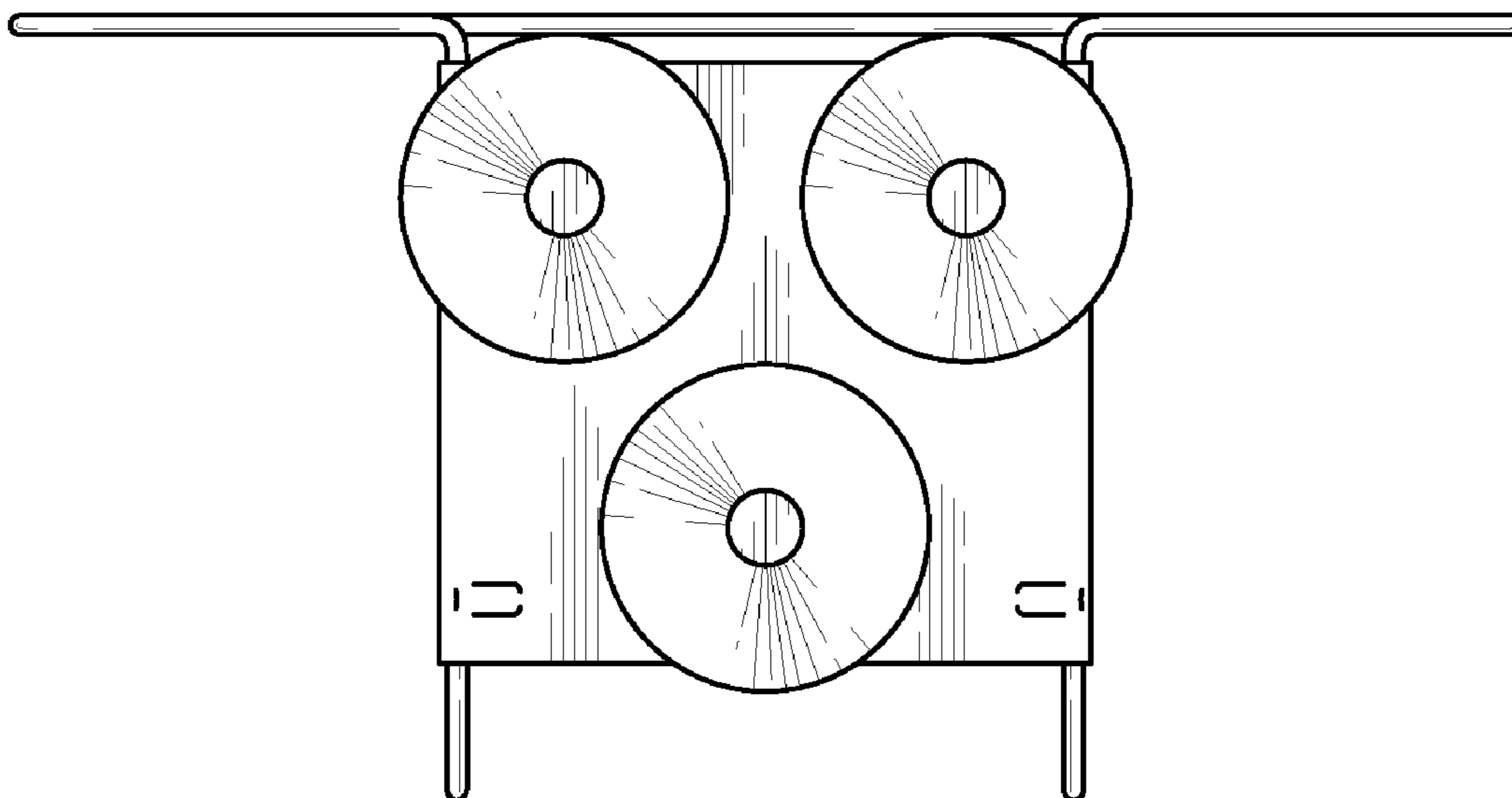


FIG. 4

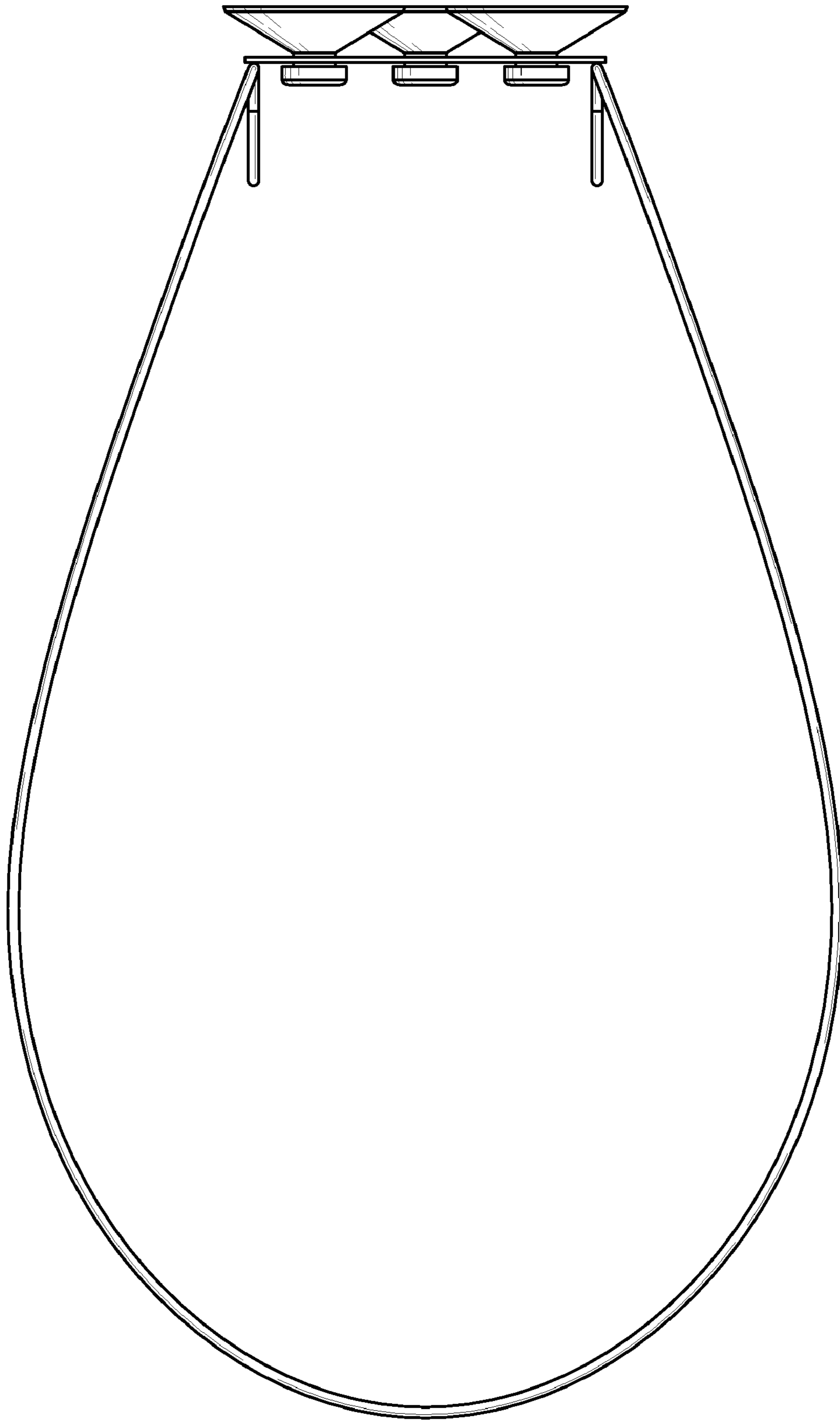


FIG. 5

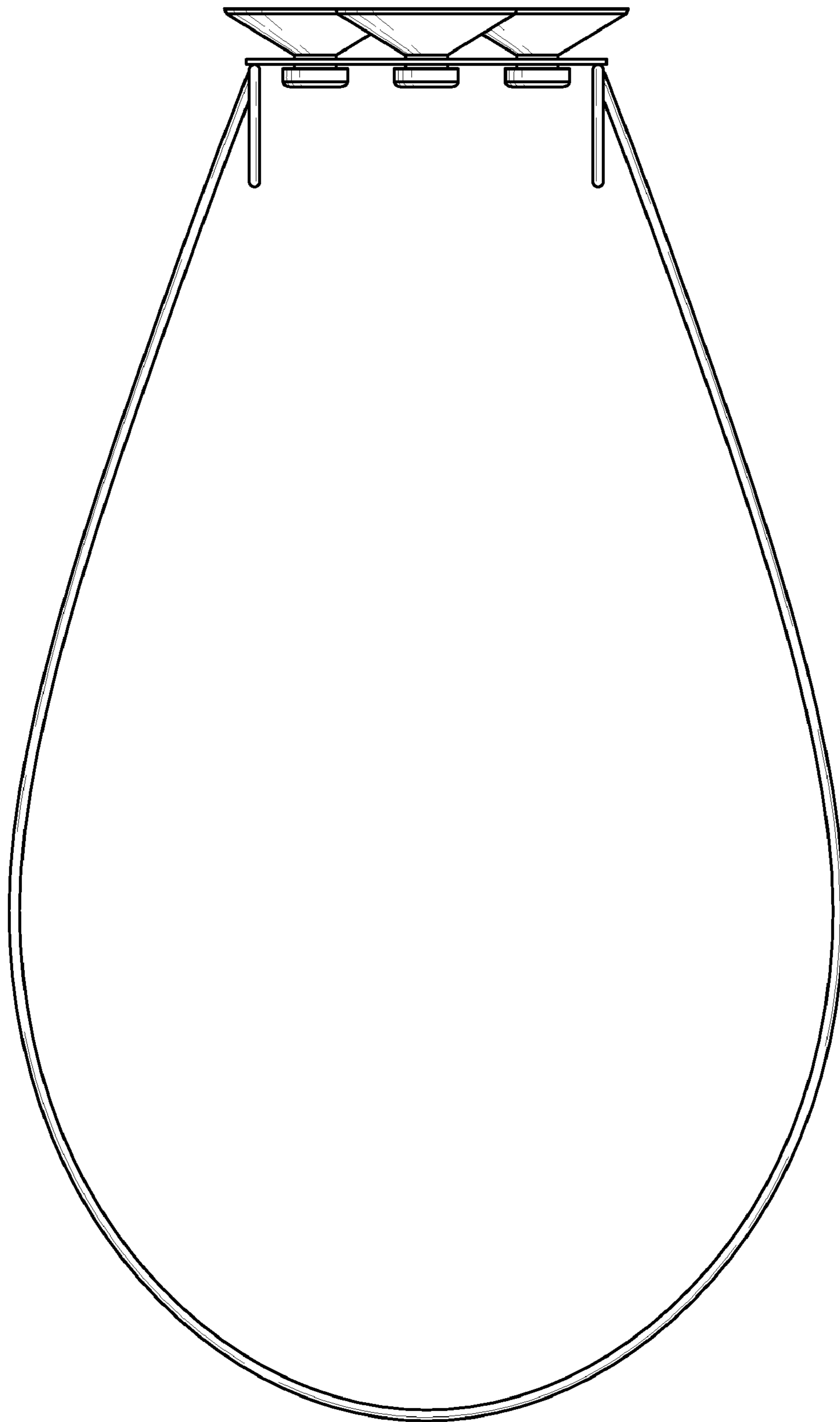


FIG. 6

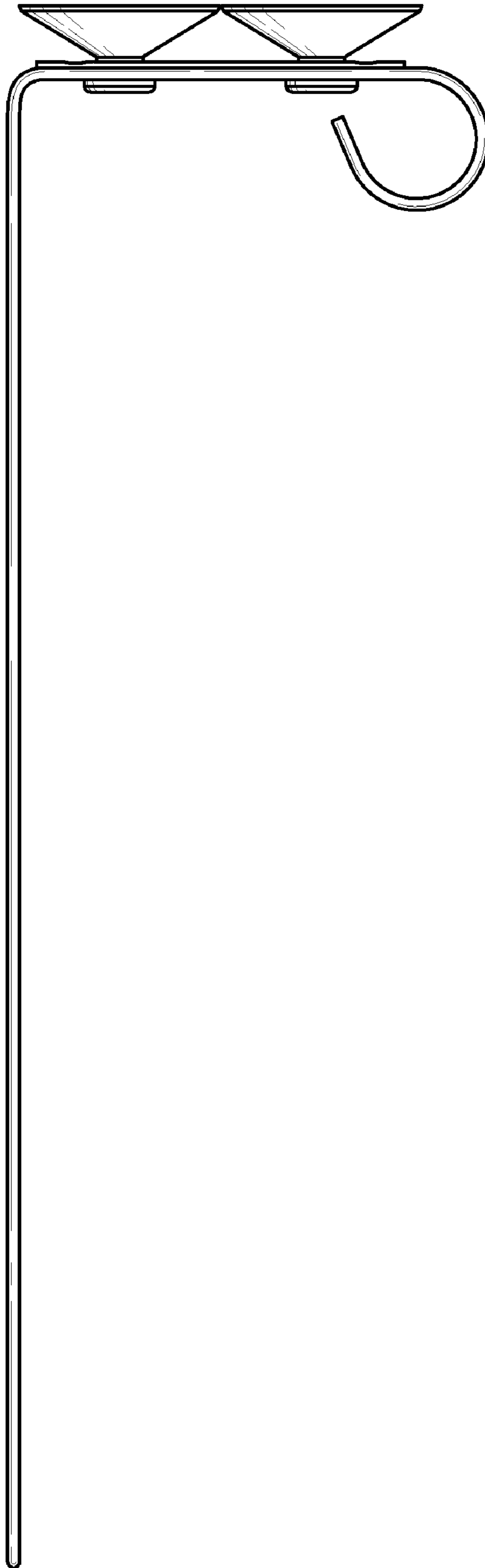


FIG. 7

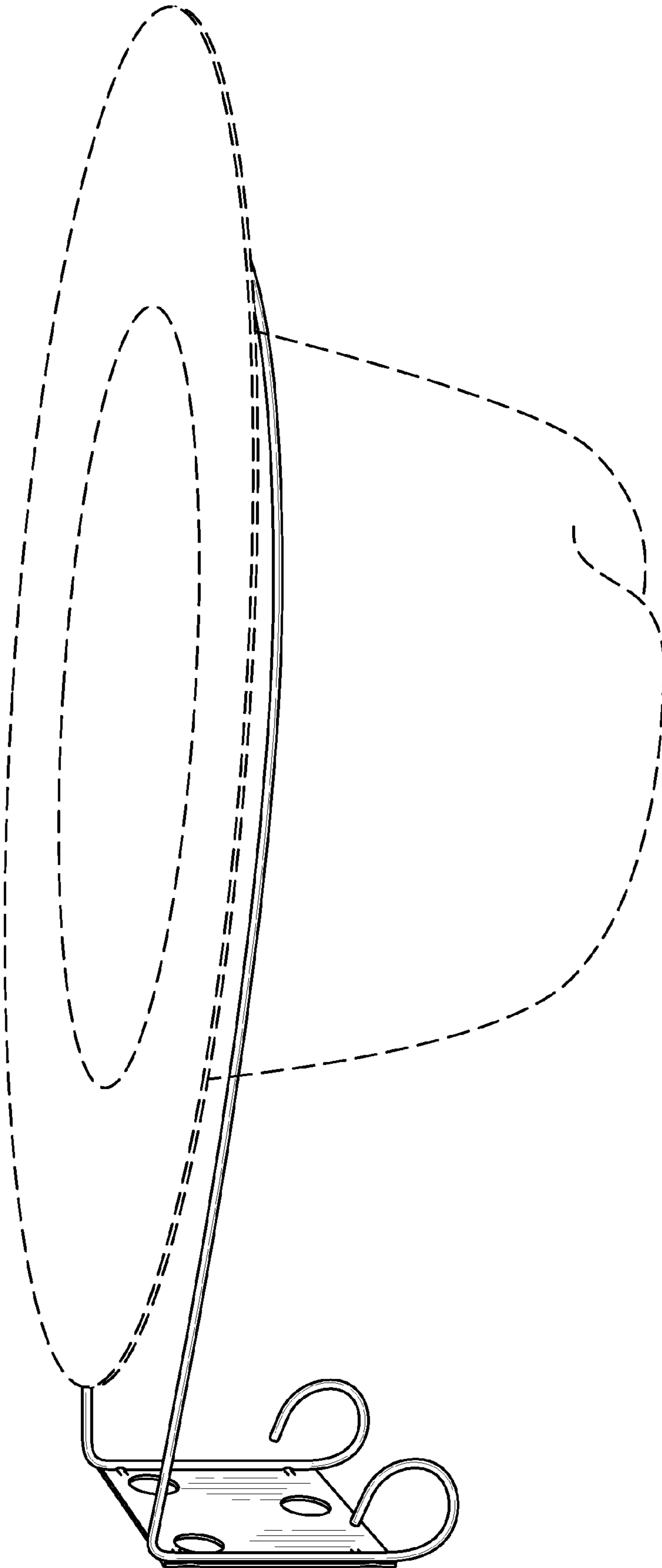


FIG. 8



FIG. 9

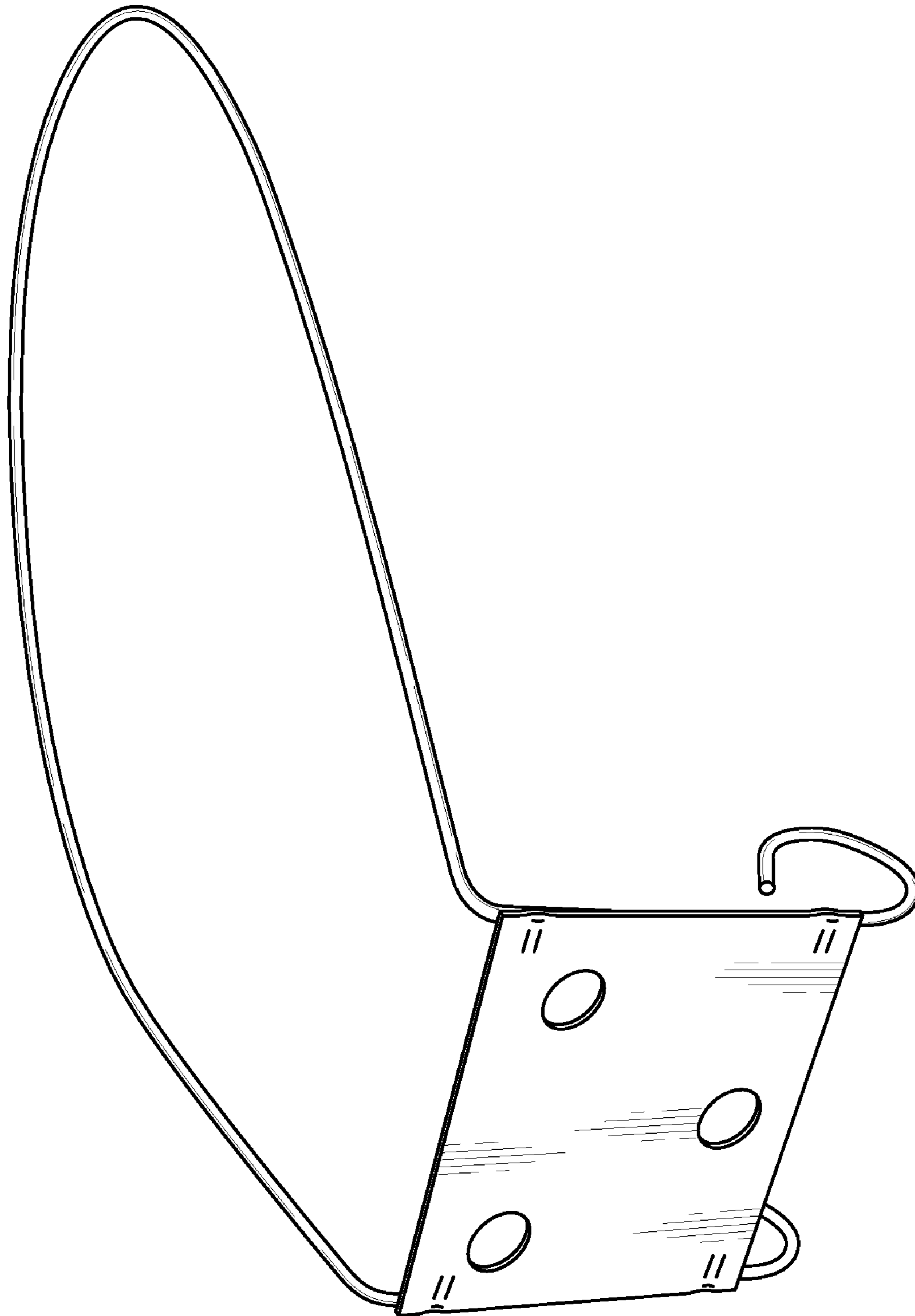


FIG. 10