

US00D568618S

(12) **United States Design Patent**
Harrington

(10) **Patent No.:** **US D568,618 S**

(45) **Date of Patent:** **** May 13, 2008**

(54) **SCROLL PICTURE FRAME DISPLAY ASSEMBLY**

(76) Inventor: **Vernon H. Harrington**, 903 Aipo St., Honolulu, HI (US) 96825

(**) Term: **14 Years**

(21) Appl. No.: **29/296,376**

(22) Filed: **Oct. 18, 2007**

Related U.S. Application Data

(63) Continuation of application No. 11/160,736, filed on Jul. 6, 2005, now Pat. No. 7,302,772.

(51) **LOC (8) Cl.** **06-04**

(52) **U.S. Cl.** **D6/300; D6/310; D6/304**

(58) **Field of Classification Search** D6/450, D6/449, 303, 310, 300; 248/174, 176.1, 248/447, 460; 211/195, 86, 88; 40/411, 40/606, 120, 610, 642, 700, 743, 725, 798, 40/800, 746; D19/21, 24, 80, 82, 97; D20/29, D20/34

See application file for complete search history.

(56) **References Cited**

U.S. PATENT DOCUMENTS

D21,587 S	5/1892	Hemphill	
1,179,231 A	4/1916	Sherman	
1,251,791 A	1/1918	Leeland	
1,385,140 A	7/1921	Martin	
D65,864 S *	10/1924	McKay D6/306
1,830,102 A	11/1931	Felsenthal	
2,111,362 A	3/1938	Fisher	
D147,046 S	1/1947	Joelson	
D200,146 S	1/1965	Mudrinich	
3,711,976 A	1/1973	Allen	
D233,874 S	12/1974	Ashley	
4,182,061 A	1/1980	English	

D353,283 S	12/1994	Ford	
D355,218 S	2/1995	Peterka	
5,605,001 A	2/1997	Derk	
5,695,066 A	12/1997	Bartlett	
D393,552 S *	4/1998	Goodman D6/450
D395,562 S *	6/1998	Goodman D6/450
6,347,472 B1	2/2002	Dominguez	
7,302,772 B2 *	12/2007	Harrington 40/725
2002/0007578 A1	1/2002	Martorella	
2002/0092216 A1	7/2002	Rice	

FOREIGN PATENT DOCUMENTS

JP 409081037 A 3/1997

* cited by examiner

Primary Examiner—Caron D. Veynar

Assistant Examiner—Sydney R. Buffalow

(74) *Attorney, Agent, or Firm*—Seth M. Reiss

(57) **CLAIM**

I claim the ornamental design for a scroll picture frame display assembly, as shown and described.

DESCRIPTION

FIG. 1 is a front perspective view of the scroll picture frame display assembly of the claimed invention.

FIG. 2 is a rear perspective view thereof.

FIG. 3 is a front view thereof.

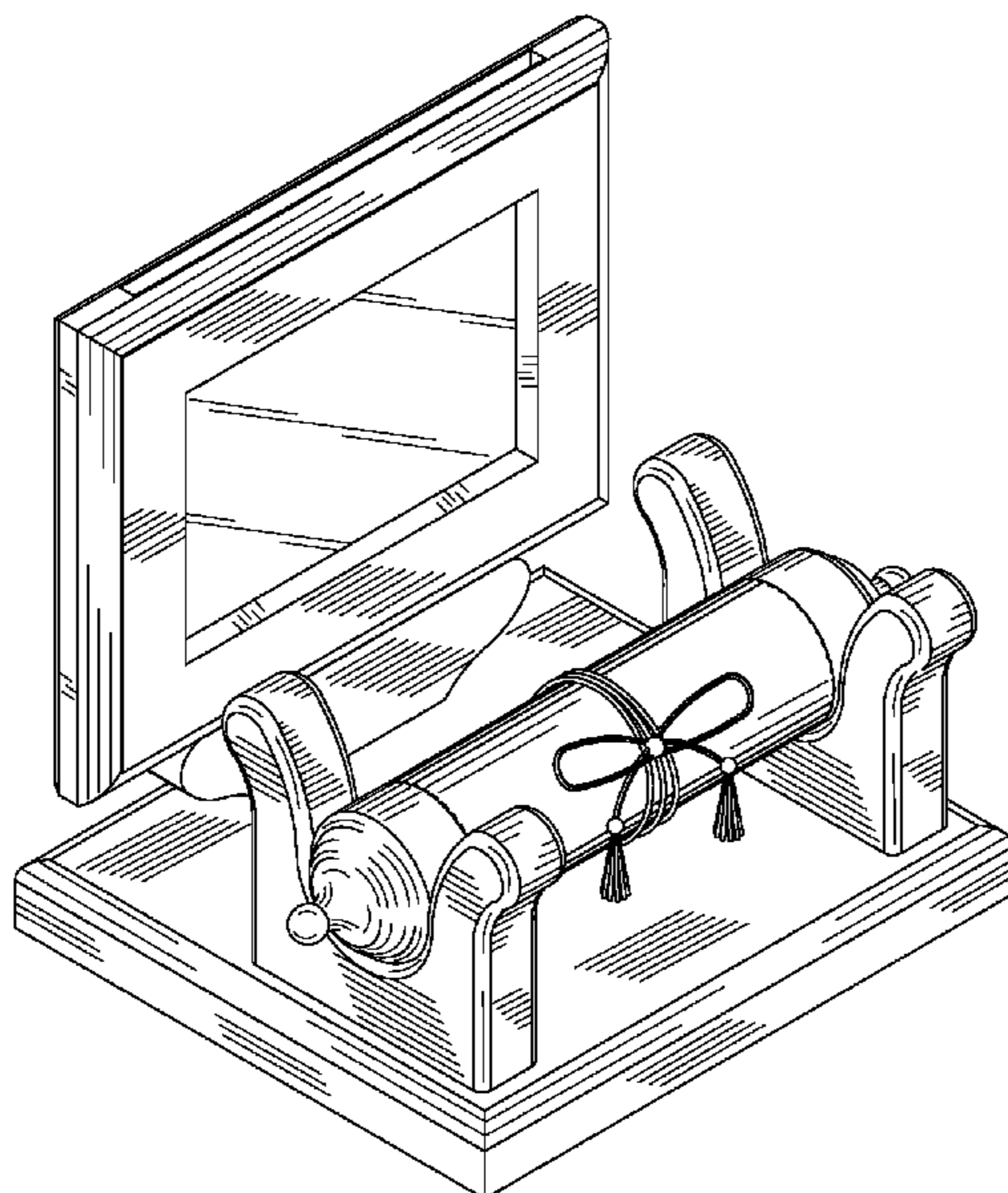
FIG. 4 is a rear view thereof.

FIG. 5 is a side view of the scroll picture frame assembly viewed from the right side; the left side view being a mirror image thereof.

FIG. 6 is a top view of the scroll picture frame display assembly; and,

FIG. 7 is a bottom view thereof.

1 Claim, 3 Drawing Sheets



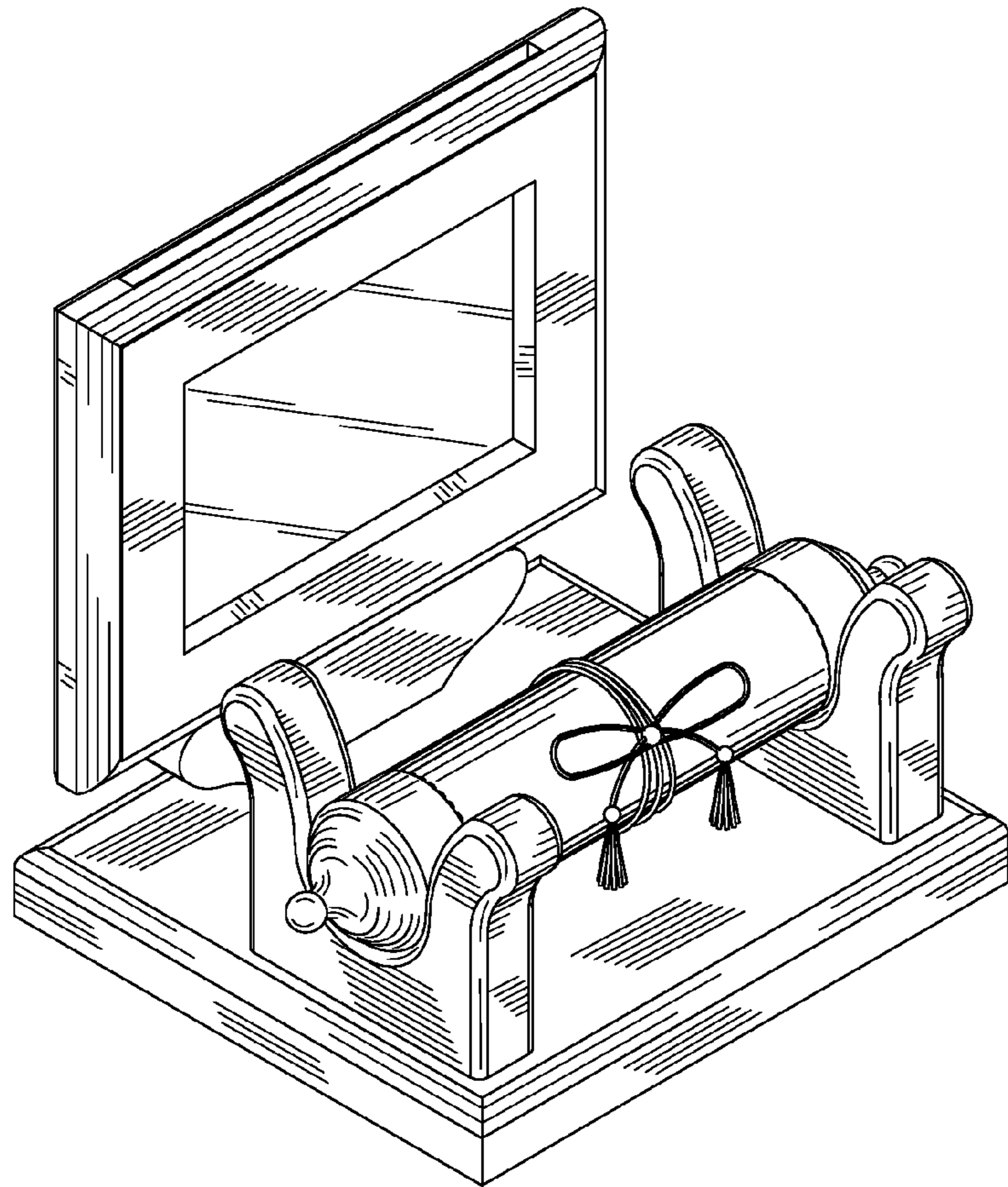


FIG. 1

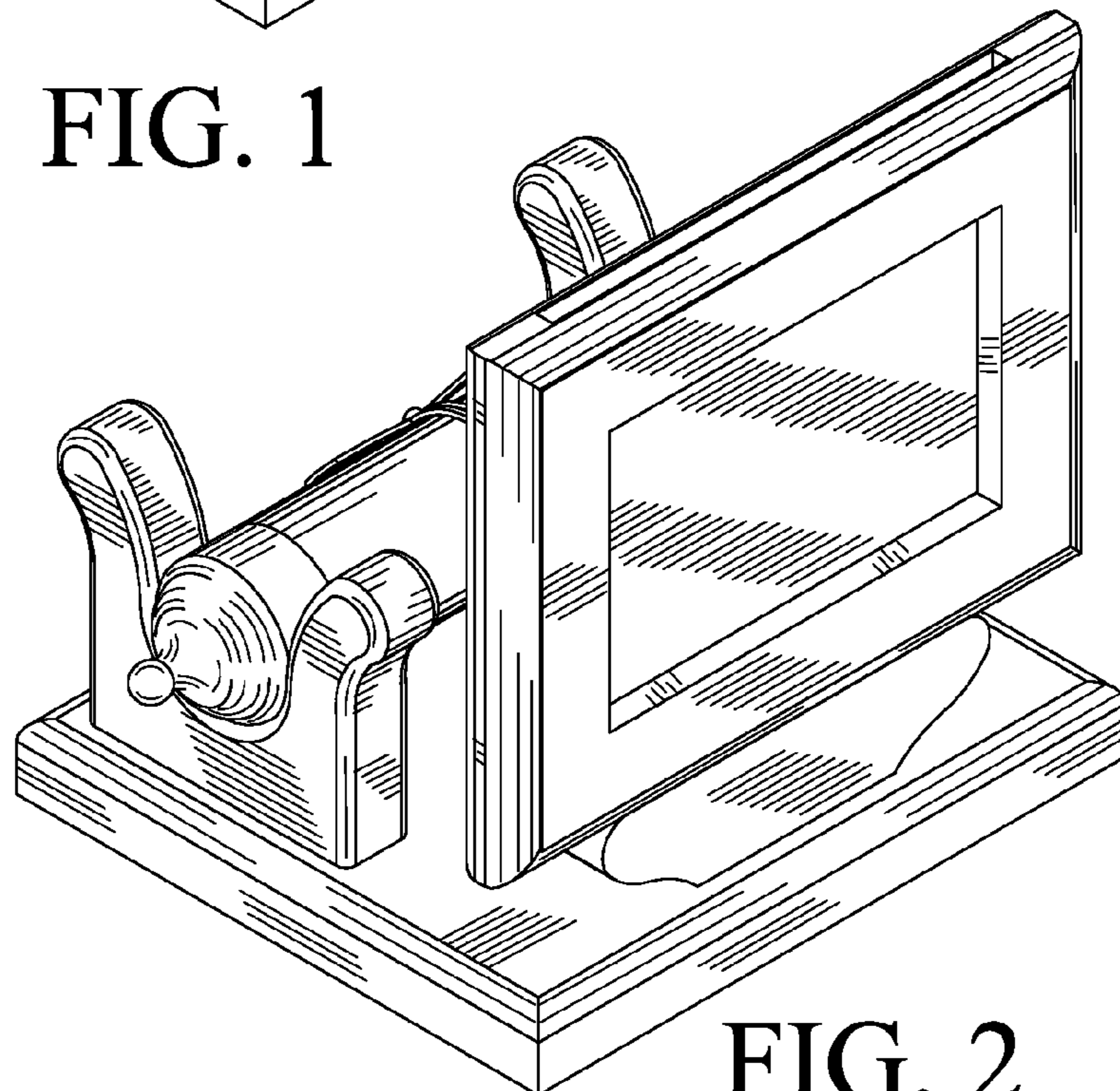


FIG. 2

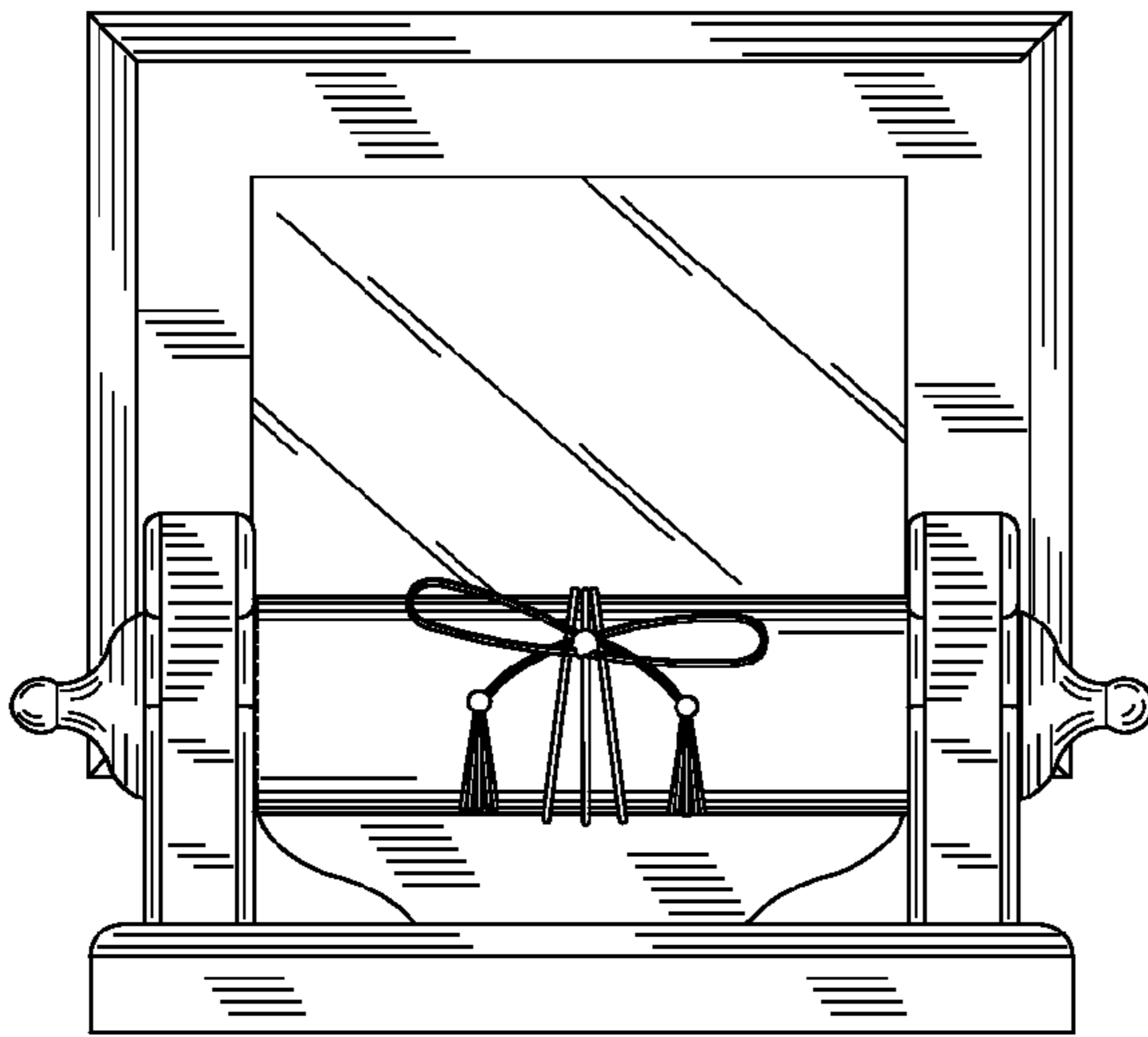


FIG. 3

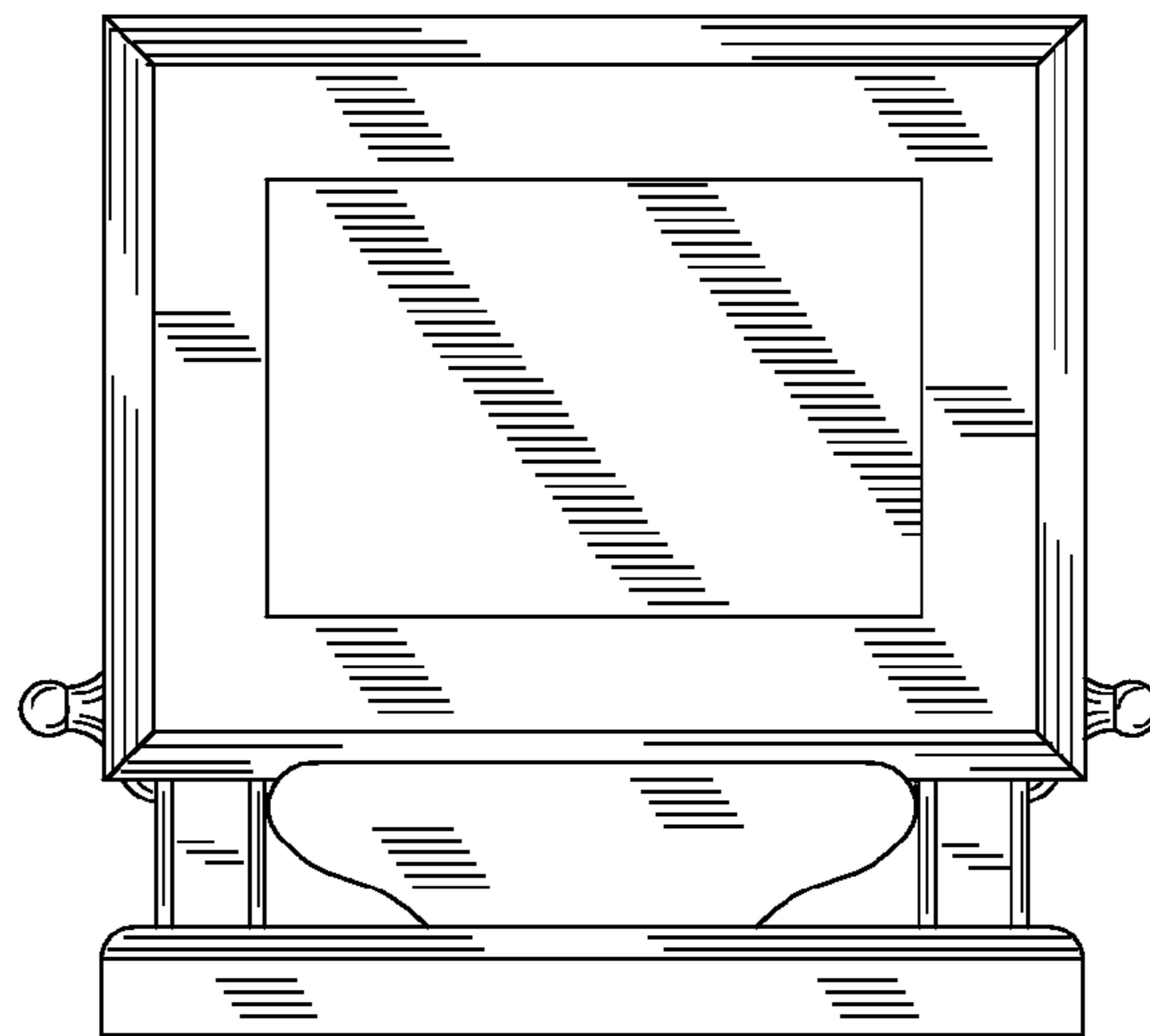


FIG. 4

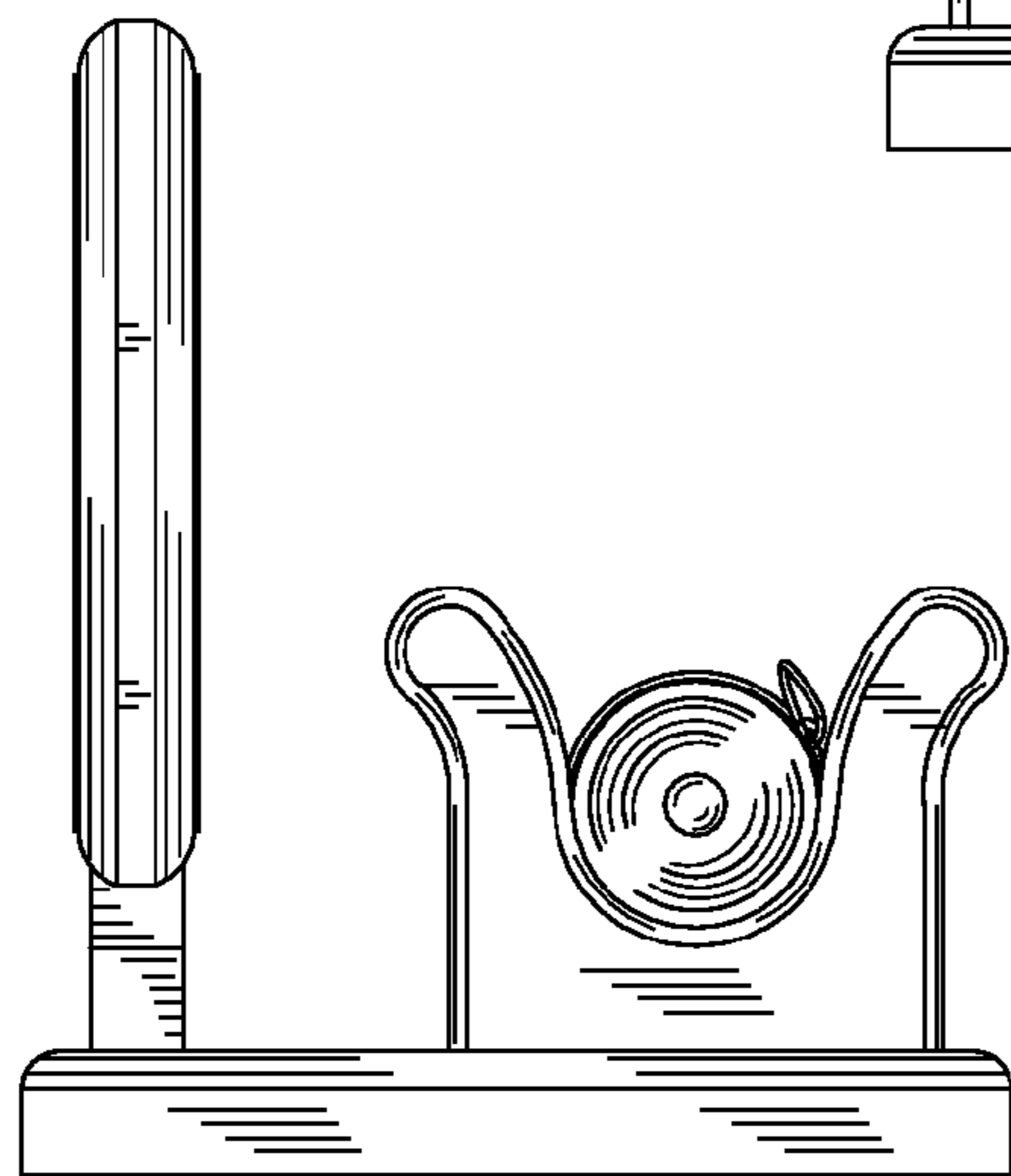


FIG. 5

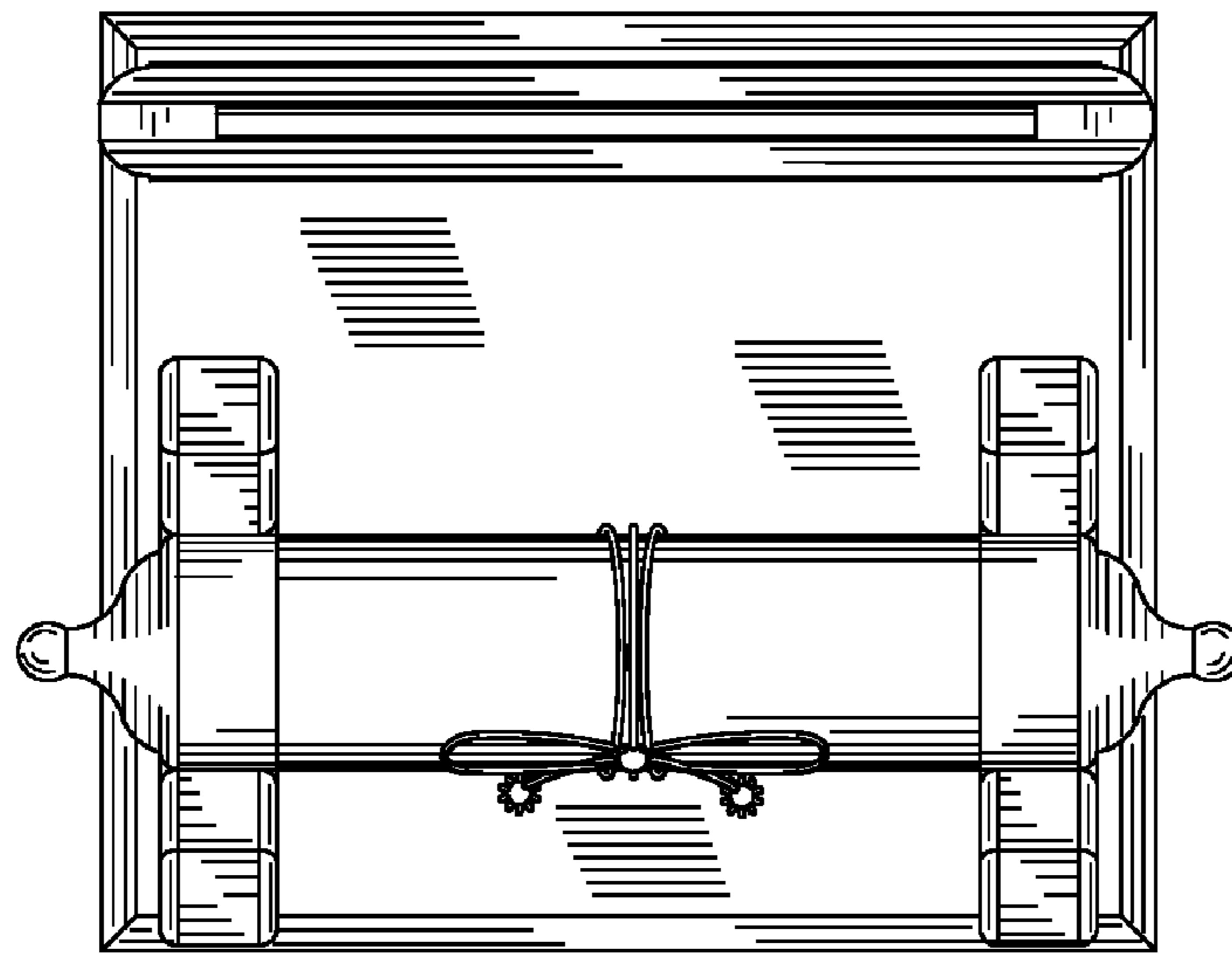


FIG. 6

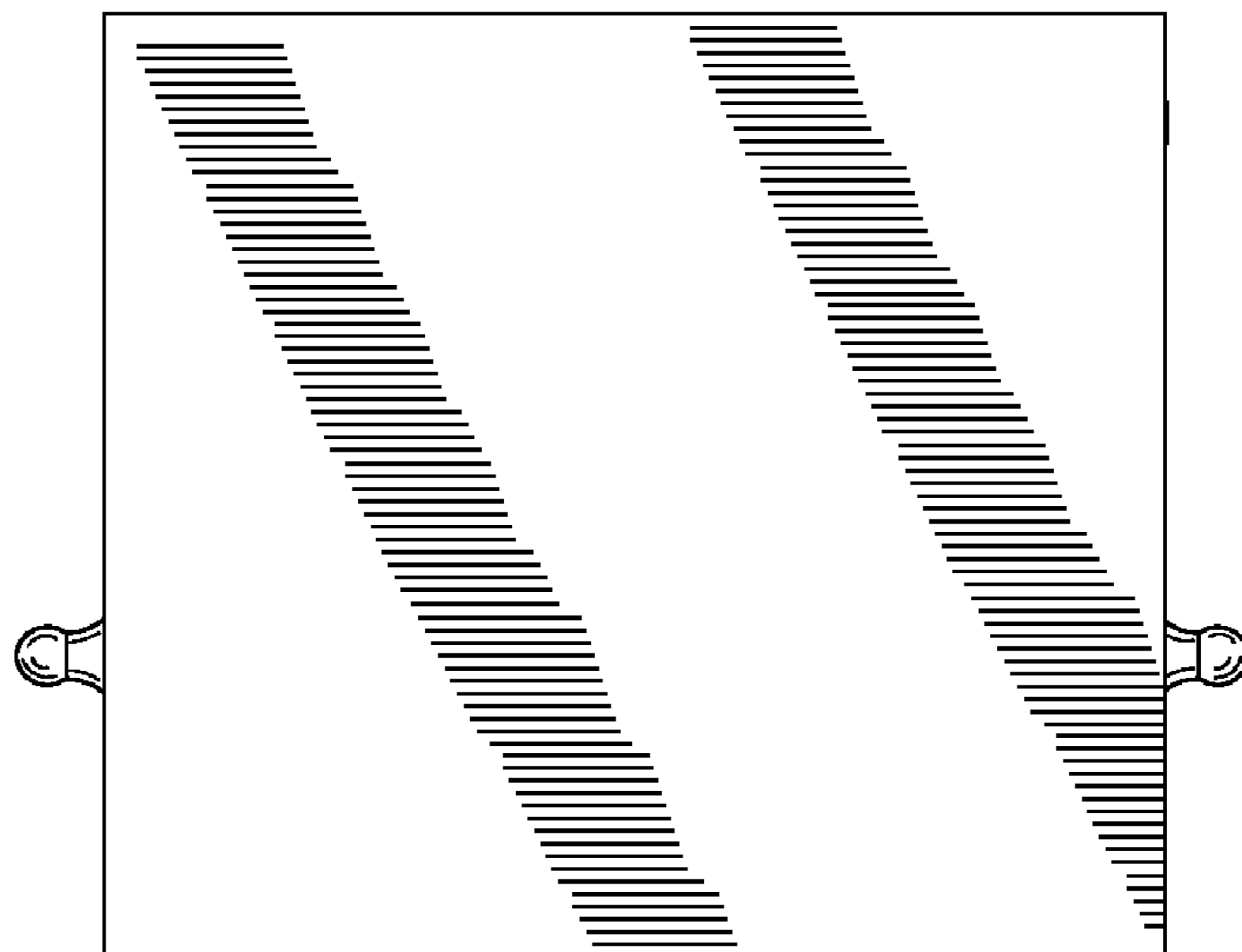


FIG. 7