



US00D568617S

(12) **United States Design Patent**  
**Jehs et al.**

(10) **Patent No.:** **US D568,617 S**

(45) **Date of Patent:** **\*\* May 13, 2008**

(54) **CHAIR**

(75) Inventors: **Marcus Jehs**, Stuttgart (DE); **Jürgen Laub**, Stuttgart (DE)

(73) Assignee: **Fritz Hansen A/S**, Allerød (DK)

(\*\*) Term: **14 Years**

(21) Appl. No.: **29/283,578**

(22) Filed: **Aug. 17, 2007**

(51) **LOC (8) Cl.** ..... **06-01**

(52) **U.S. Cl.** ..... **D5/366**

(58) **Field of Classification Search** ..... D6/334-336,  
D6/364, 365, 366, 374-376, 379, 380, 498,  
D6/500-502; 297/445.1, 446.1, 452.12,  
297/452.14, 452.19, DIG. 2

See application file for complete search history.

(56) **References Cited**

**U.S. PATENT DOCUMENTS**

D191,704 S *	11/1961	Stauffer	.....	D6/375
D196,429 S *	10/1963	Johnson	.....	D6/366
D204,257 S *	4/1966	Pollock	.....	D6/366
3,281,185 A *	10/1966	Albinson et al.	.....	297/452.14
3,521,929 A *	7/1970	Pearson	.....	297/452.14
3,669,499 A *	6/1972	Semplonius et al.	...	297/452.14

D245,378 S *	8/1977	Roericht	.....	D6/366
D248,068 S *	6/1978	Roericht	.....	D6/366
D275,341 S *	9/1984	Dunbar et al.	.....	D6/366
D458,764 S *	6/2002	Starck	.....	D6/366
D516,827 S *	3/2006	Mourgue	.....	D6/366
D554,382 S *	11/2007	Nobles et al.	.....	D6/366

\* cited by examiner

*Primary Examiner*—Mimosa De

(74) *Attorney, Agent, or Firm*—Renner, Otto, Boisselle & Sklar, LLP

(57) **CLAIM**

The ornamental design for a chair, as shown and described.

**DESCRIPTION**

FIG. 1 is a front view of a chair showing our new design;  
FIG. 2 is a rear view thereof;  
FIG. 3 is a top view thereof;  
FIG. 4 is a bottom view thereof;  
FIG. 5 is a front perspective view thereof;  
FIG. 6 is a rear perspective view thereof; and,  
FIG. 7 is a left side view thereof, the right side view being  
a mirror image thereof.

**1 Claim, 7 Drawing Sheets**



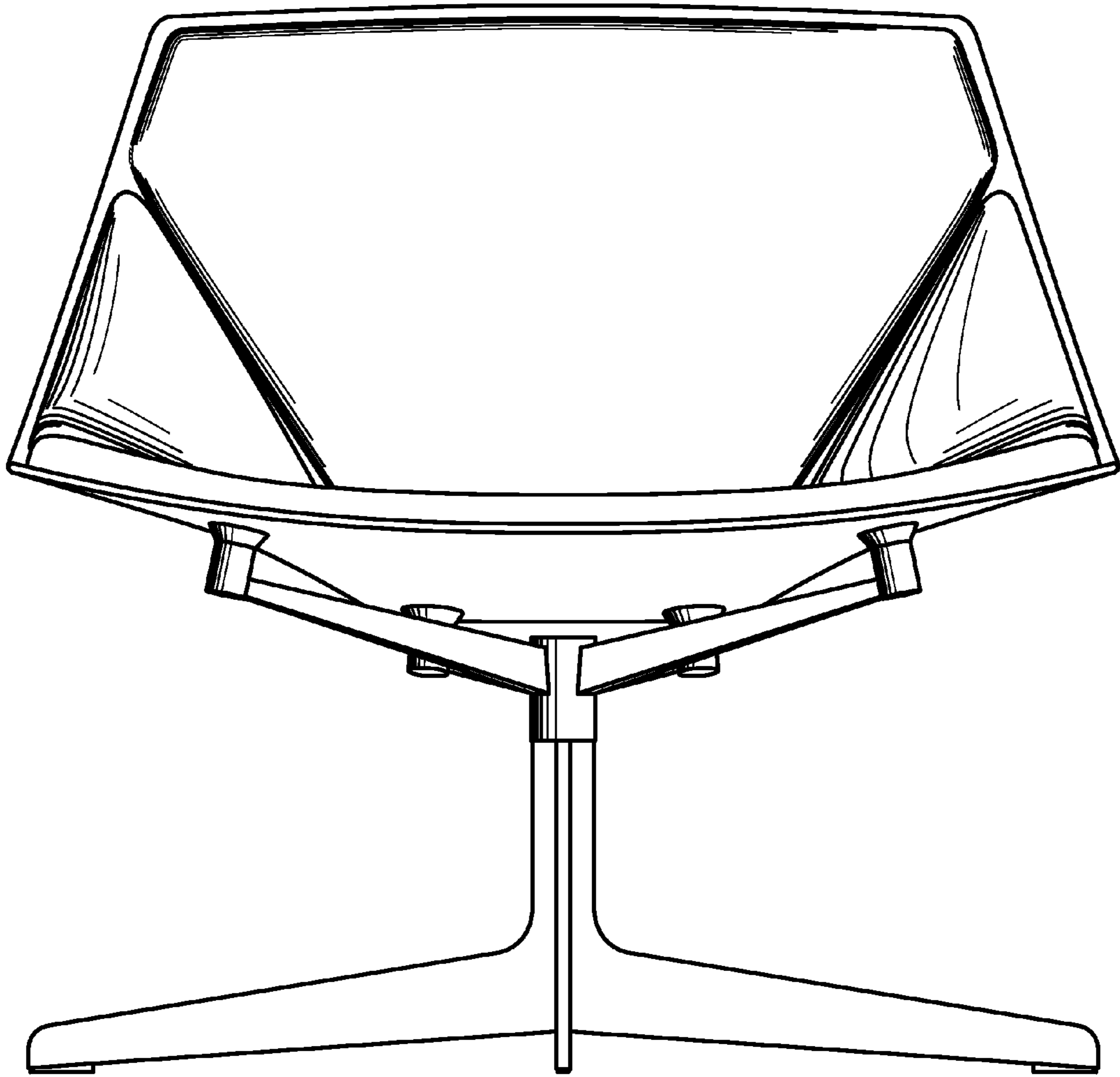


Fig. 1

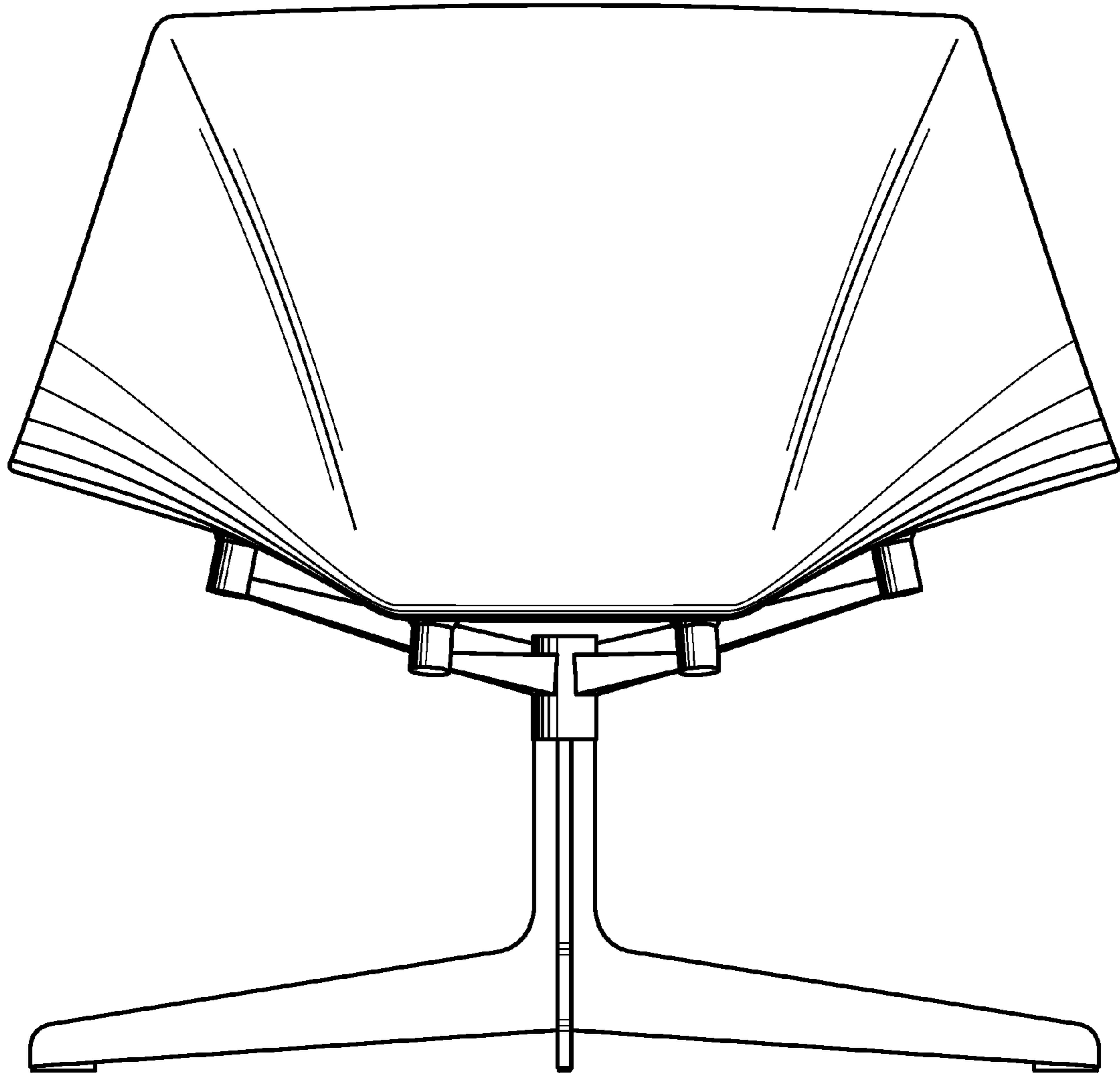


Fig. 2

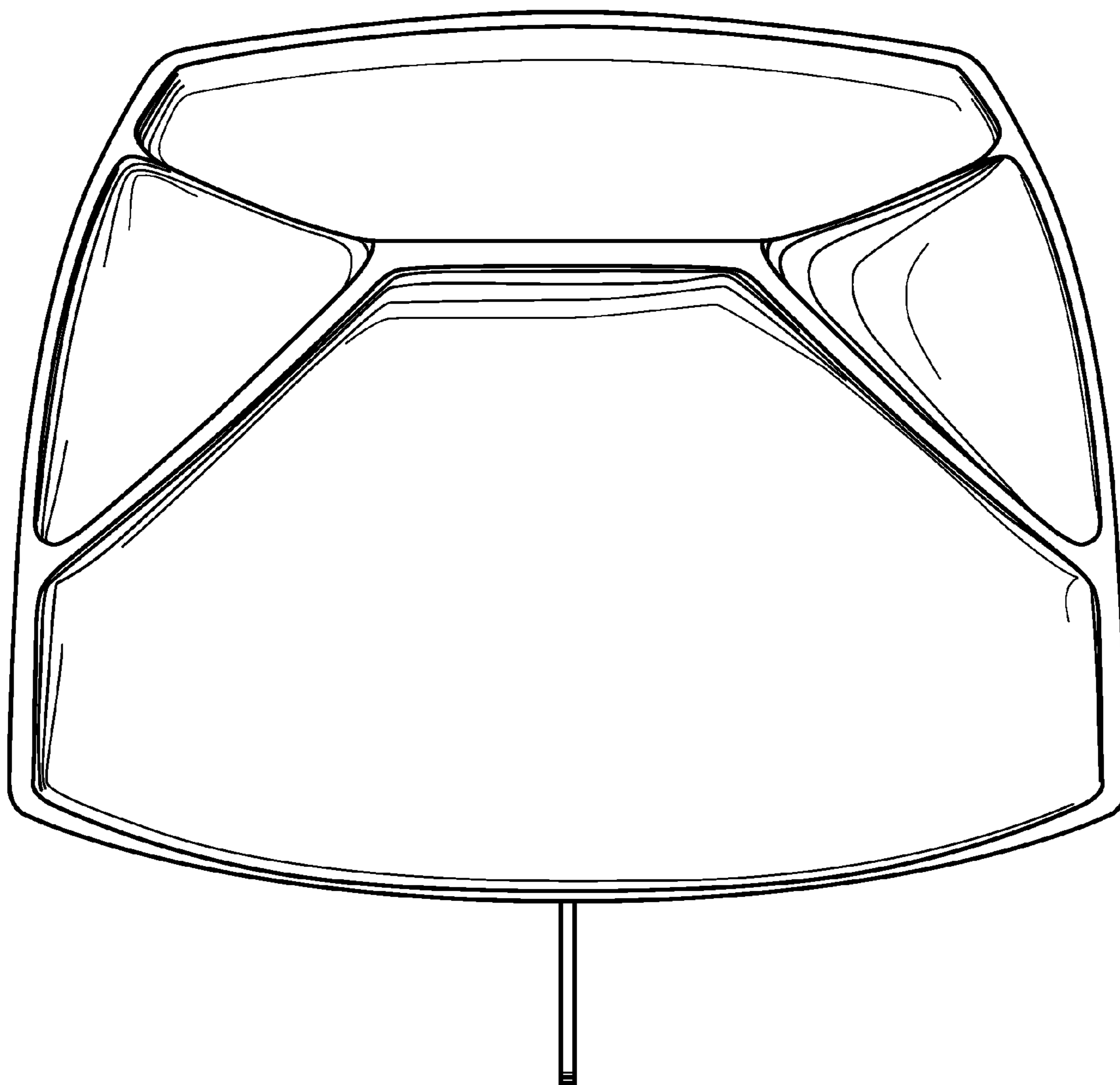


Fig. 3

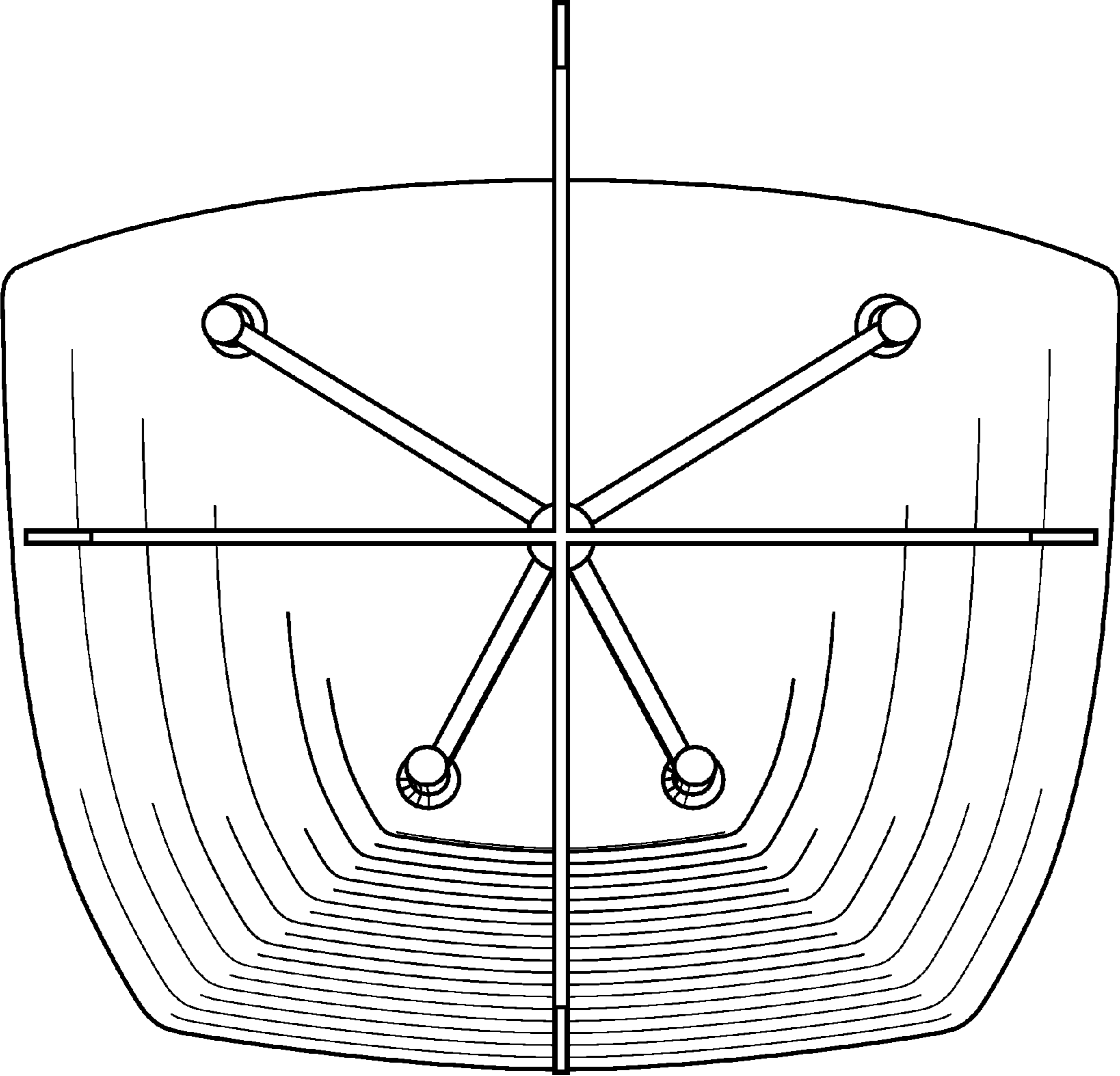


Fig. 4



Fig. 5



Fig. 6



Fig. 7