

US00D568616S

(12) **United States Design Patent** (10) **Patent No.:** **US D568,616 S**  
**Berti** (45) **Date of Patent:** **\*\* \*May 13, 2008**

(54) **PUSH BROOM**

(75) Inventor: **Enzo Berti**, Venice (IT)

(73) Assignee: **The Libman Company**, Arcola, IL (US)

(\* ) Notice: This patent is subject to a terminal disclaimer.

(\*\* ) Term: **14 Years**

(21) Appl. No.: **29/241,908**

(22) Filed: **Nov. 1, 2005**

(51) **LOC (8) Cl.** ..... **04-99**

(52) **U.S. Cl.** ..... **D4/199; D4/132**

(58) **Field of Classification Search** ..... D4/132, D4/135, 199; D32/40, 42, 50, 51; 15/111, 15/117, 146, 147.1, 159.1, 171, 176.1, 176.2  
See application file for complete search history.

(56) **References Cited**

**U.S. PATENT DOCUMENTS**

1,459,861	A *	6/1923	Reardon	.....	15/111
D143,537	S *	1/1946	Le Febvre	.....	D4/132
3,108,306	A *	10/1963	McWilliams	.....	15/171
D348,357	S *	7/1994	Libman	.....	D4/199
D415,616	S *	10/1999	Camp, Jr. et al.	.....	D4/199
D511,046	S *	11/2005	Berti	.....	D4/199

**OTHER PUBLICATIONS**

The Milwaukee Brush Manufacturing Co., Catalog No. 36-R-7, Floor Sweeping Brush, top, left of p. 28.\*

AU 139023 S Registered Design Application (The Decor Corporation Pty Ltd), Dec. 3, 1999, [online], [retrieved on Sep. 18, 2007] Retrieved from the Design Database of the Australian Government Agency IP Australia using the internet: <URL: http://www.ipaustralia.gov/au>.\*

\* cited by examiner

*Primary Examiner*—Cathron Brooks  
*Assistant Examiner*—Lavone D. Tabor  
(74) *Attorney, Agent, or Firm*—Banner & Witcoff, Ltd.

(57) **CLAIM**

The ornamental design for a push broom, as shown and described.

**DESCRIPTION**

FIG. 1 is a perspective view of a push broom showing my new design;

FIG. 2 is a front view thereof, the rear being a mirror image thereof;

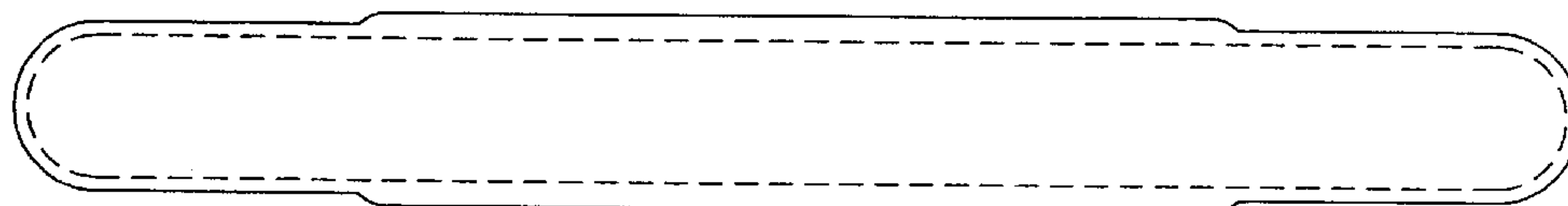
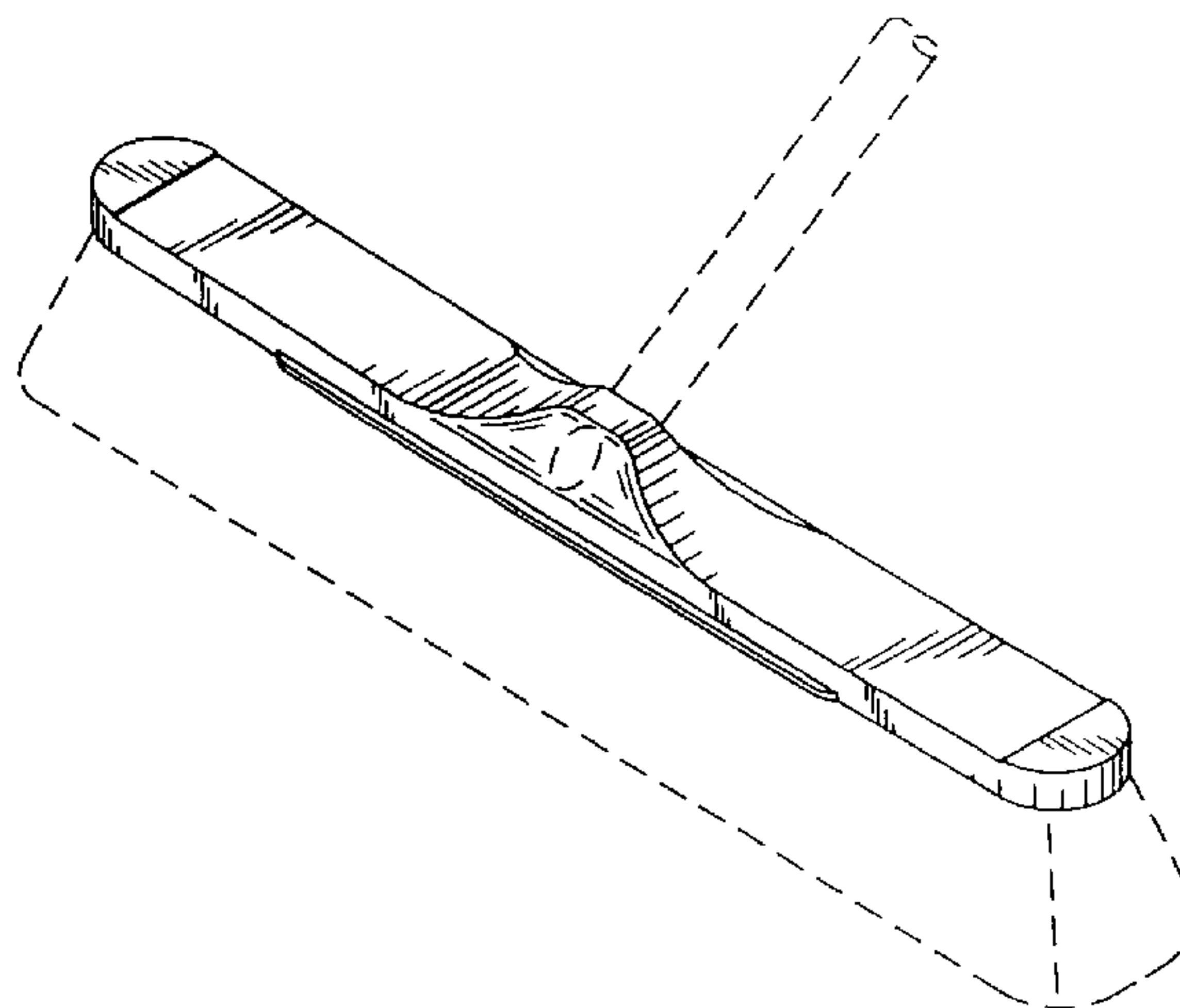
FIG. 3 is a top view thereof;

FIG. 4 is a bottom view thereof; and,

FIG. 5 is a right side view thereof, the left side being a mirror image thereof.

The broken line showing in FIGS. 1–4 of the portion of the broom handle, the holes for receiving the handle, the bristles, and the bottom face of the push broom are for illustrative purposes only and form no part of the claimed design.

**1 Claim, 2 Drawing Sheets**



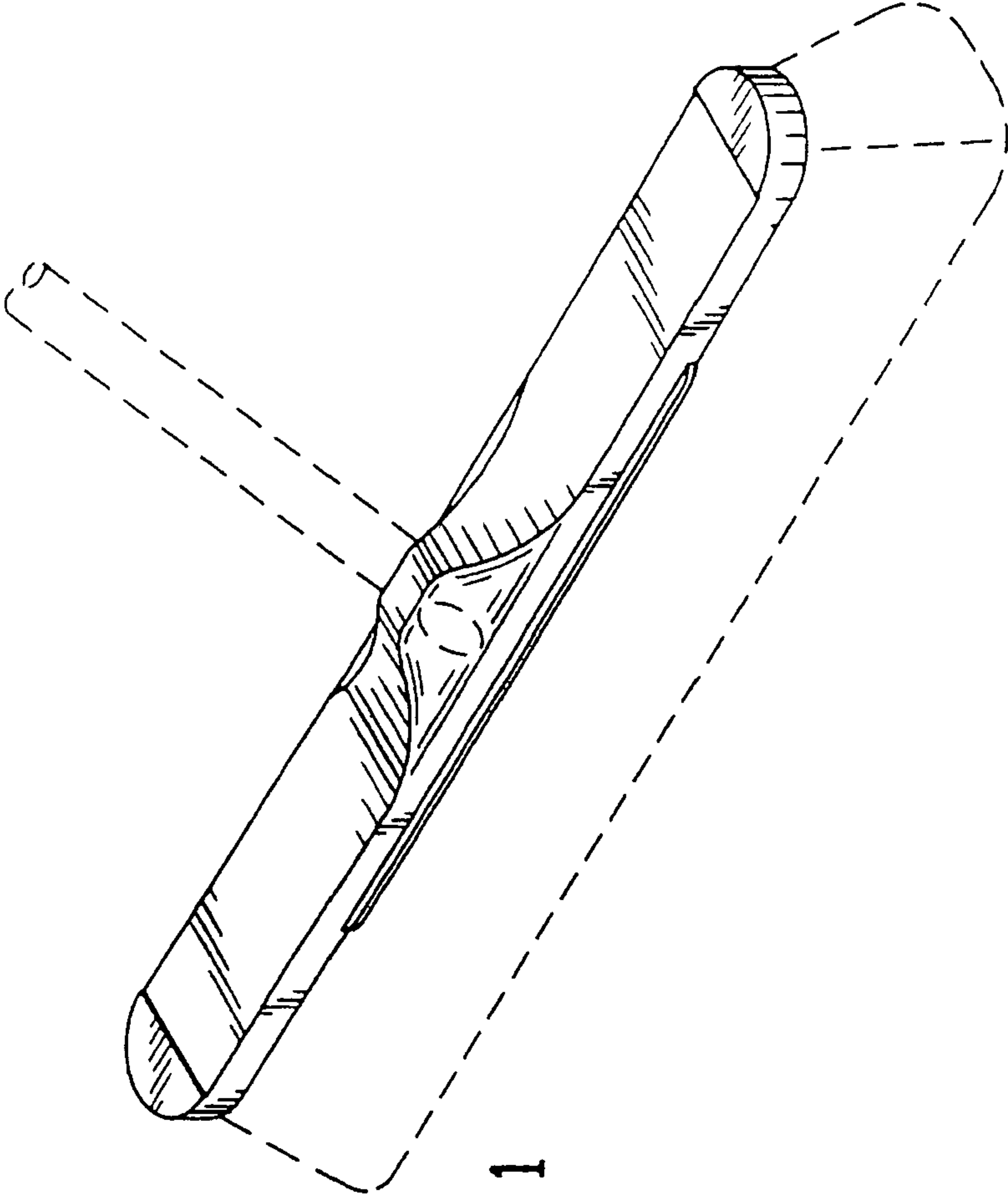


FIG. 1



FIG. 2

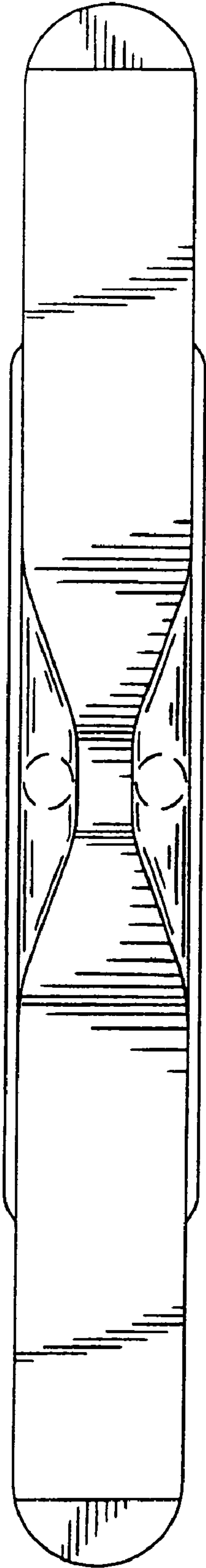


FIG. 3

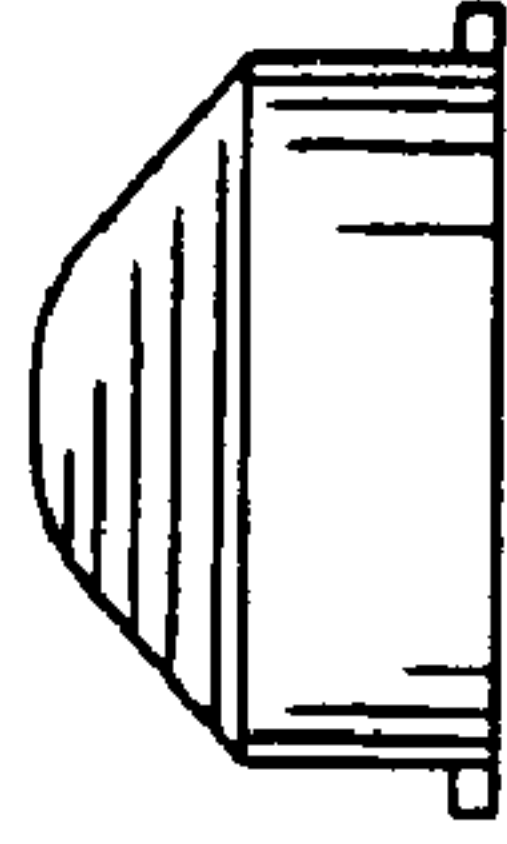


FIG. 5

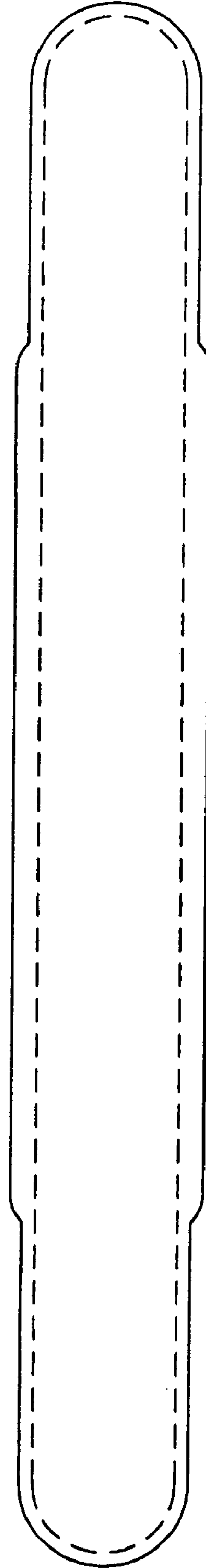


FIG. 4