



US00D568612S

(12) **United States Design Patent**
Chan

(10) **Patent No.:** **US D568,612 S**

(45) **Date of Patent:** **** May 13, 2008**

(54) **MASCARA BRUSH**

(75) Inventor: **Li-Chun Chan**, Taichung (TW)

(73) Assignee: **Shya Hsin Plastic Works Co., Ltd.**,
Taichung (TW)

(**) Term: **14 Years**

(21) Appl. No.: **29/284,204**

(22) Filed: **Sep. 4, 2007**

(51) **LOC (8) Cl.** **04-02**

(52) **U.S. Cl.** **D4/120; D4/136**

(58) **Field of Classification Search** D4/106,
D4/116, 120, 136; D28/7, 20, 25, 28; 15/188;
132/126, 142, 215, 216, 218, 317, 320
See application file for complete search history.

(56) **References Cited**

U.S. PATENT DOCUMENTS

1,905,399	A *	4/1933	Wagner	15/160
3,896,823	A *	7/1975	Spatz	132/218
4,565,205	A *	1/1986	Taylor	132/218
4,964,429	A *	10/1990	Cole	132/218
D542,541	S *	5/2007	Lowsky, Jr.	D4/106
7,231,926	B2 *	6/2007	Kim	132/218

OTHER PUBLICATIONS

EU 330436-0008 Industrial Design Application (Coronet-Werke GMBH) Jun. 14, 2005, [online], [retrieved on Jan. 3, 2008]

Retrieved from the Community Design Database of the Office for Harmonization in the Internal Market using the Internet:
<URL:http://oami.europa.eu>.*

* cited by examiner

Primary Examiner—Cathron Brooks

Assistant Examiner—Lavone D. Tabor

(74) *Attorney, Agent, or Firm*—Leong C. Lei

(57) **CLAIM**

The ornamental design for a mascara brush, as shown and described.

DESCRIPTION

FIG. 1 is a perspective view of a mascara brush showing my new design;

FIG. 2 is a front elevational view thereof;

FIG. 3 is a rear elevational view thereof;

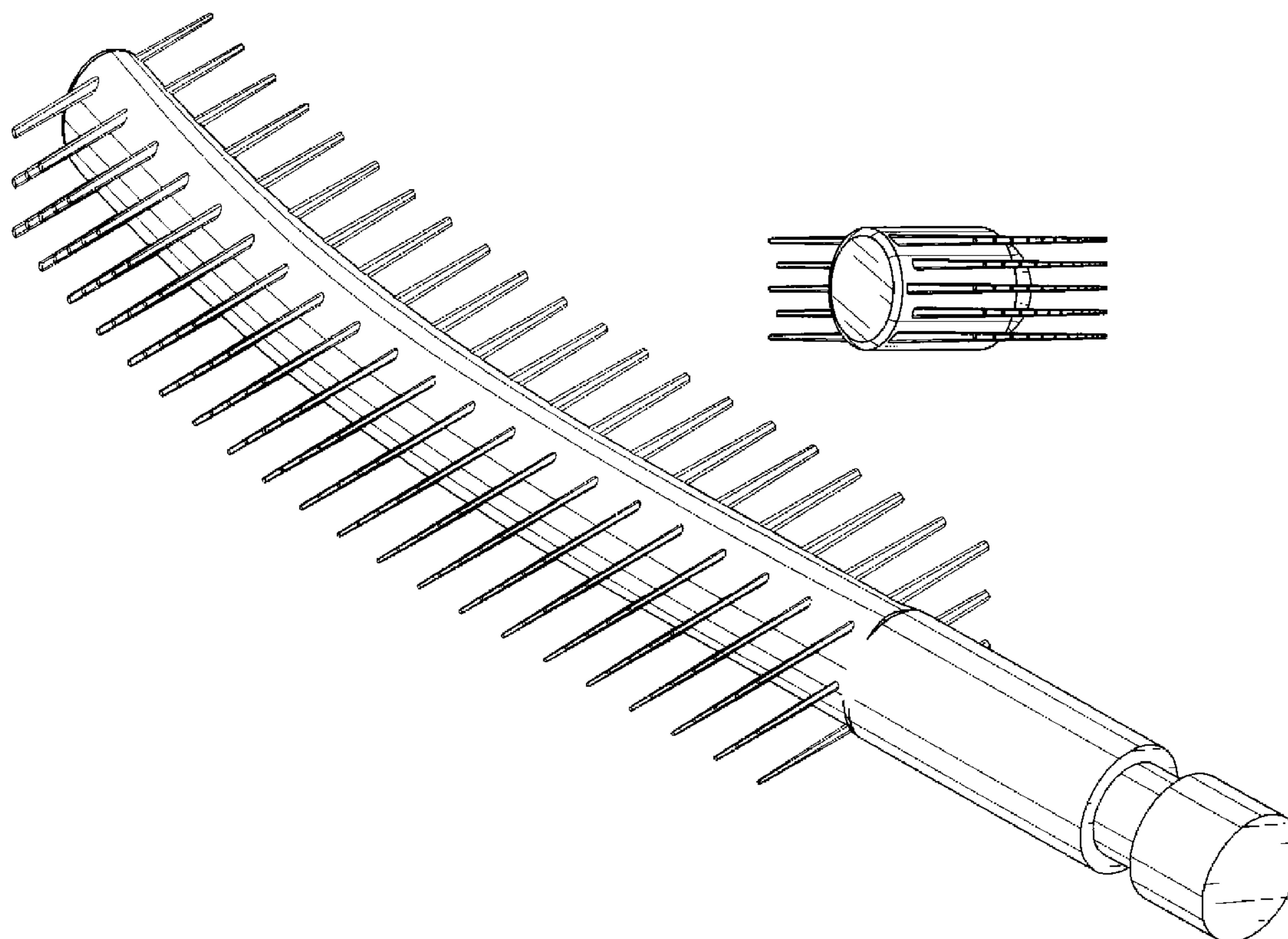
FIG. 4 is a right side elevational view thereof;

FIG. 5 is a left side elevational view thereof;

FIG. 6 is a top plan view thereof; and,

FIG. 7 is a bottom view thereof.

1 Claim, 6 Drawing Sheets



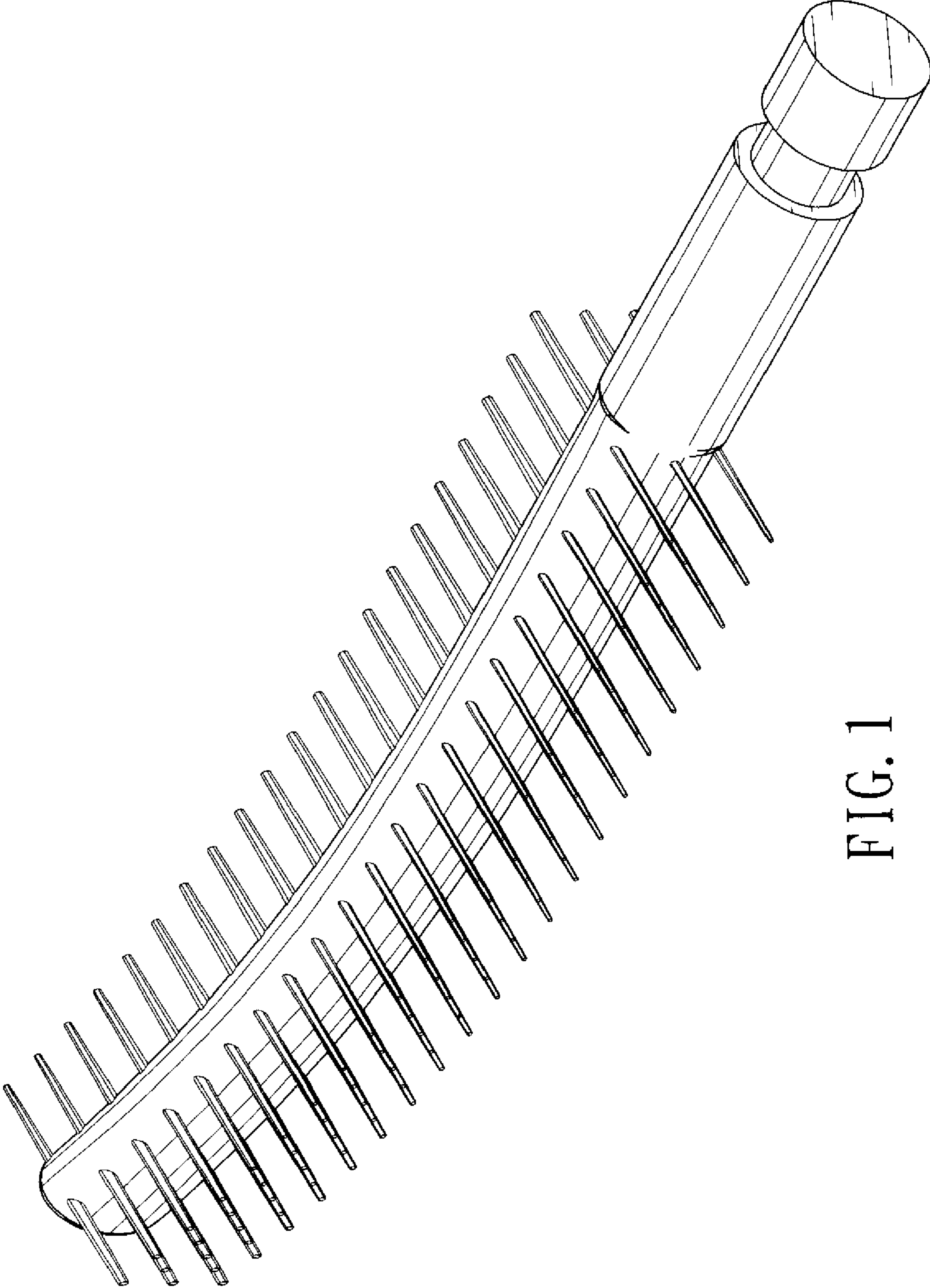


FIG. 1

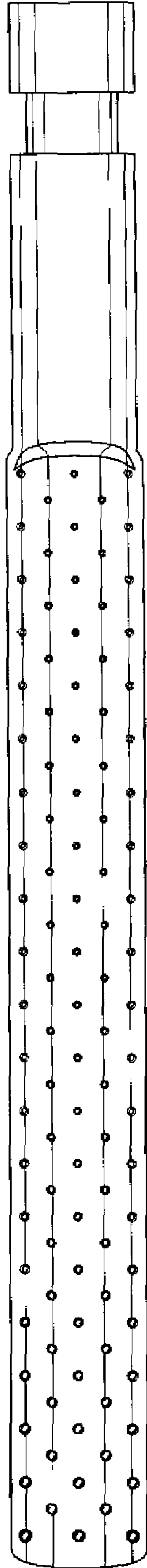


FIG. 2

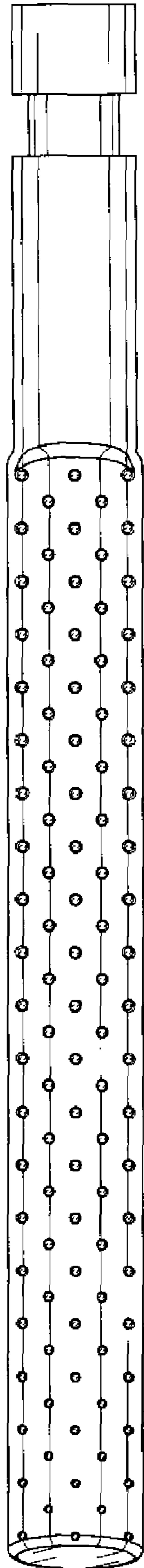


FIG. 3

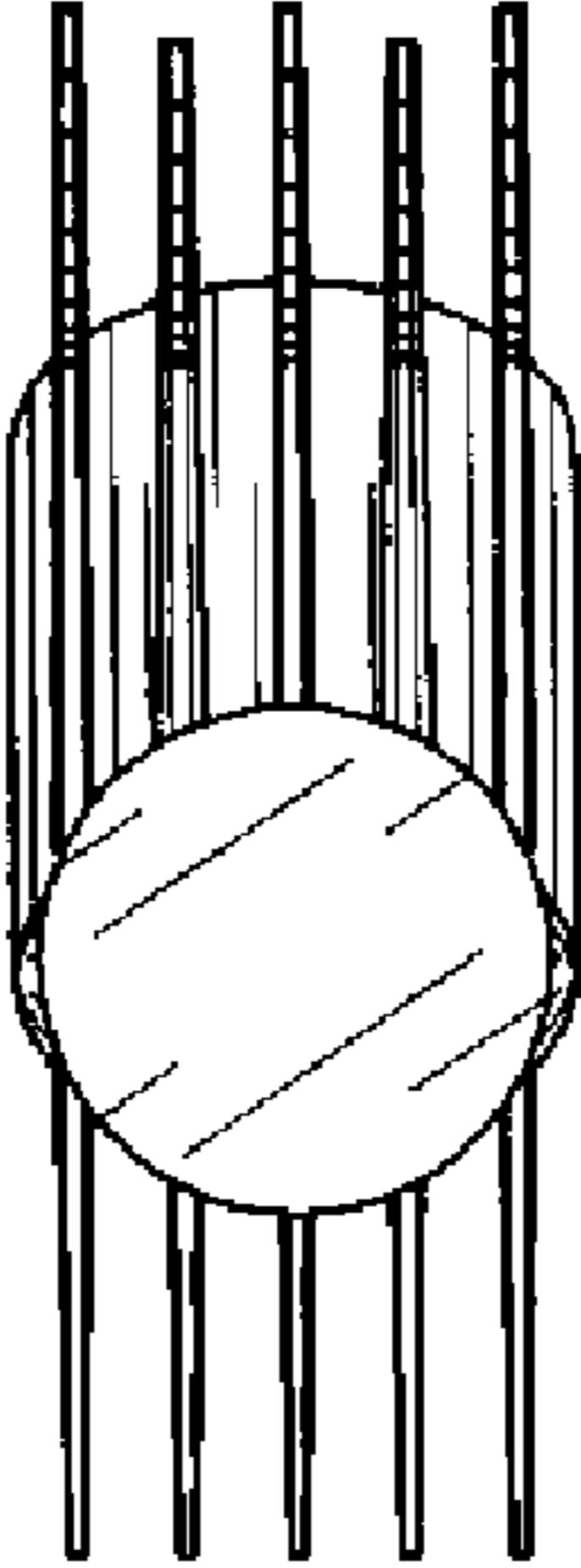


FIG. 5

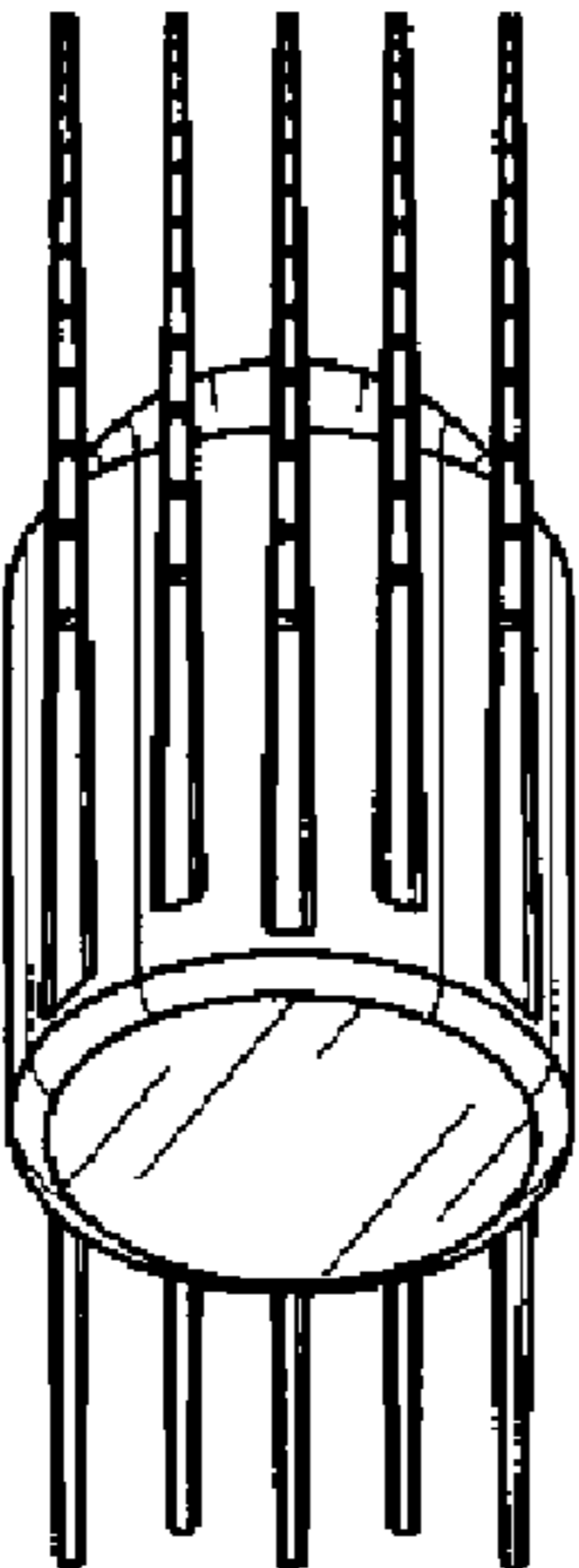


FIG. 4

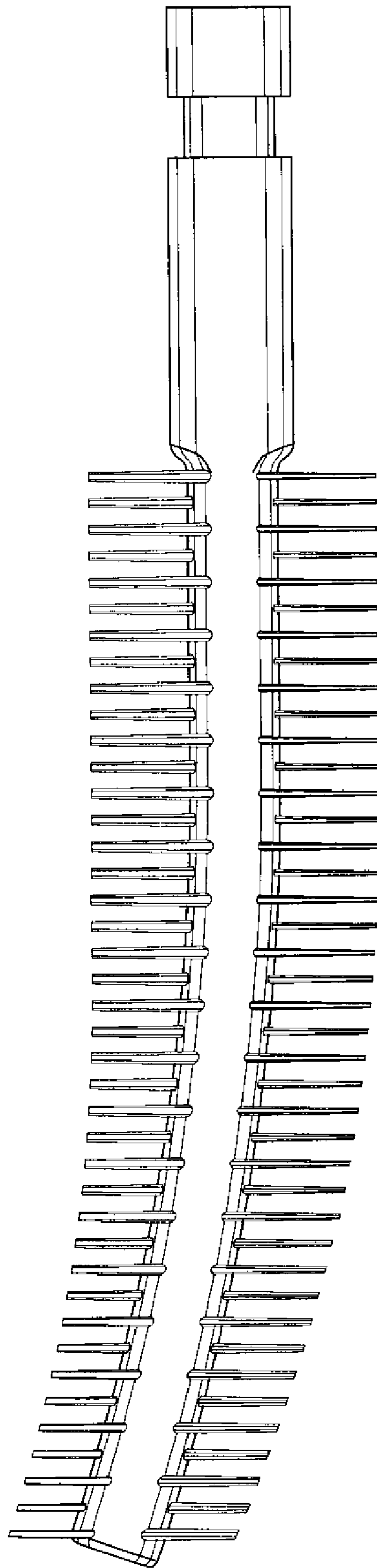


FIG. 6

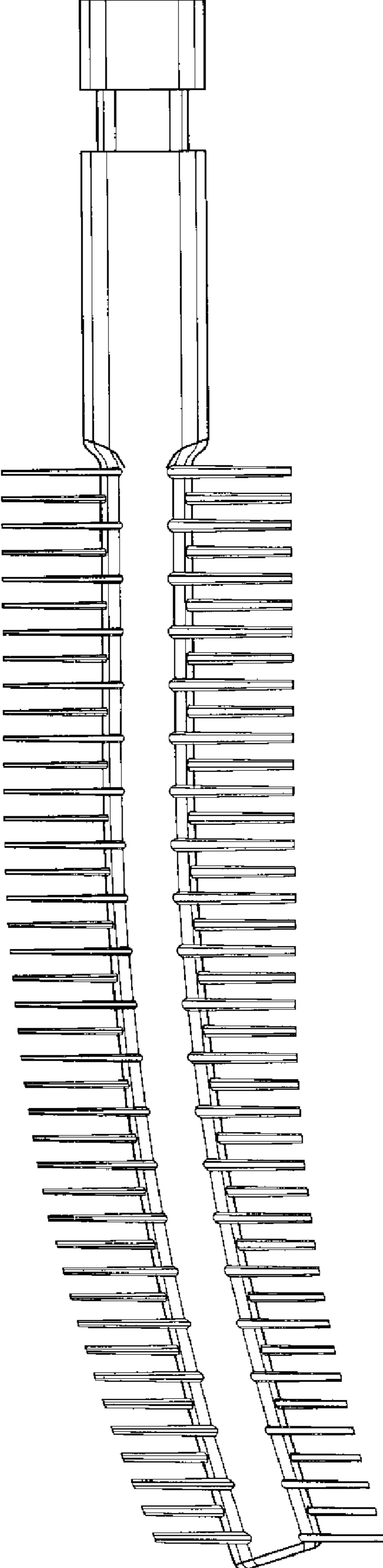


FIG. 7