

US00D568611S

(12) **United States Design Patent** (10) **Patent No.:** **US D568,611 S**  
**Sellers** (45) **Date of Patent:** **\*\* May 13, 2008**

(54) **LEFT AND RIGHT HANDED BASTING BRUSH**

(76) Inventor: **Jenna K. Sellers**, 350 SE. 1st St., Delray Beach, FL (US) 33483

(\*\*) Term: **14 Years**

(21) Appl. No.: **29/277,735**

(22) Filed: **Mar. 8, 2007**

(51) **LOC (8) Cl.** ..... **04-04**

(52) **U.S. Cl.** ..... **D4/116; D4/132; D4/136**

(58) **Field of Classification Search** ..... D4/116, D4/132, 135, 136, 138; D7/643, 669, 691; 15/143.1, 159.1, 160, 186-188, 191.1, 192, 15/193, 197; 16/430

See application file for complete search history.

(56) **References Cited**

**U.S. PATENT DOCUMENTS**

D201,173	S	*	5/1965	Velt Kamp	.....	D4/116
D401,481	S	*	11/1998	Boilard et al.	.....	D7/643
5,881,421	A	*	3/1999	Ducharme	.....	15/106
D521,244	S	*	5/2006	Germany	.....	D4/119
D527,908	S	*	9/2006	Herron et al.	.....	D4/138
2004/0231083	A1	*	11/2004	Zaksenberg	.....	15/143.1
2007/0050986	A1	*	3/2007	Foster et al.	.....	30/142
2007/0143945	A1	*	6/2007	DiPietro et al.	.....	15/188

\* cited by examiner

*Primary Examiner*—Cathron Brooks  
*Assistant Examiner*—Lavone D. Tabor  
(74) *Attorney, Agent, or Firm*—Malin Haley DiMaggio Bowen & Lhota, P.A.

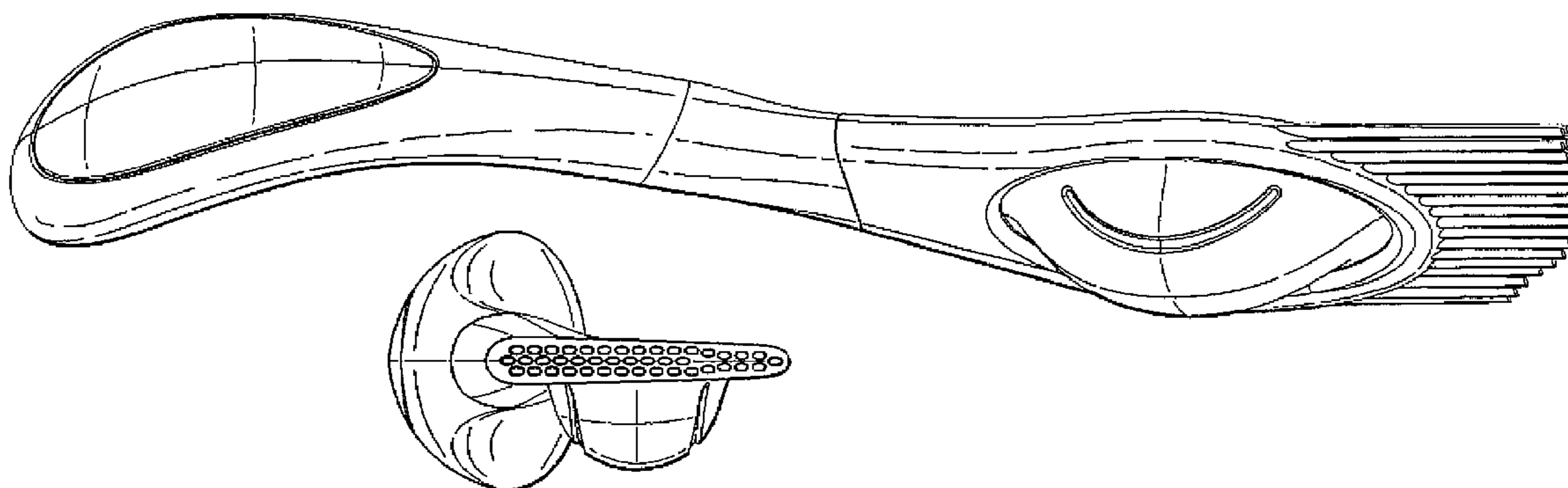
(57) **CLAIM**

The ornamental design for a left and right handed basting brush, as shown and described.

**DESCRIPTION**

FIG. 1 is a bottom perspective view of the present invention, showing the left and right handed basting brush new design; FIG. 2 is a front elevational view thereof; FIG. 3 is a rear elevational view thereof; FIG. 4 is a right side elevational view thereof; FIG. 5 is a left side elevational view thereof; FIG. 6 is a top plan view thereof; FIG. 7 is a bottom plan view thereof; FIG. 8 is a front elevational view partially in cross section through the spoon area thereof; FIG. 9 is an enlarged cut away cross section showing a groove in the outside spoon area thereof; and, FIG. 10 is an enlarged elevational cross sectional view cut away of the connection between the spoon cup and the support ring thereof.

**1 Claim, 4 Drawing Sheets**



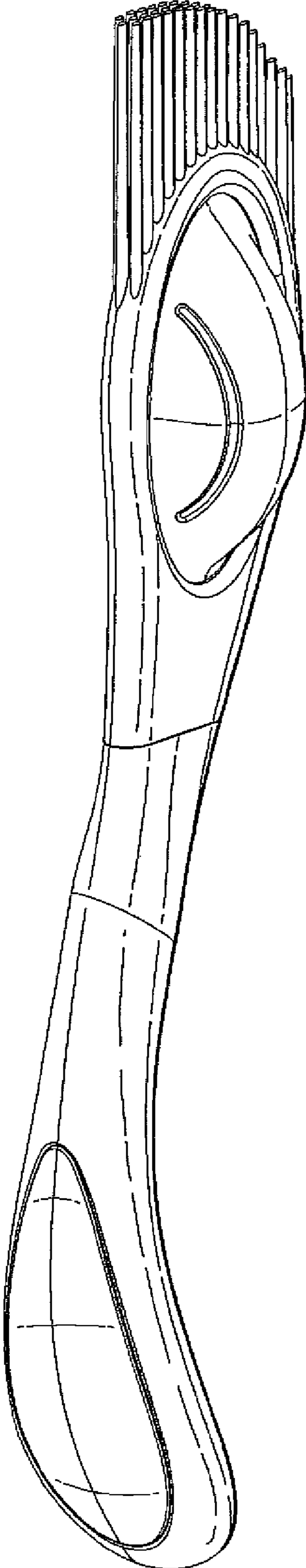


FIG. 1

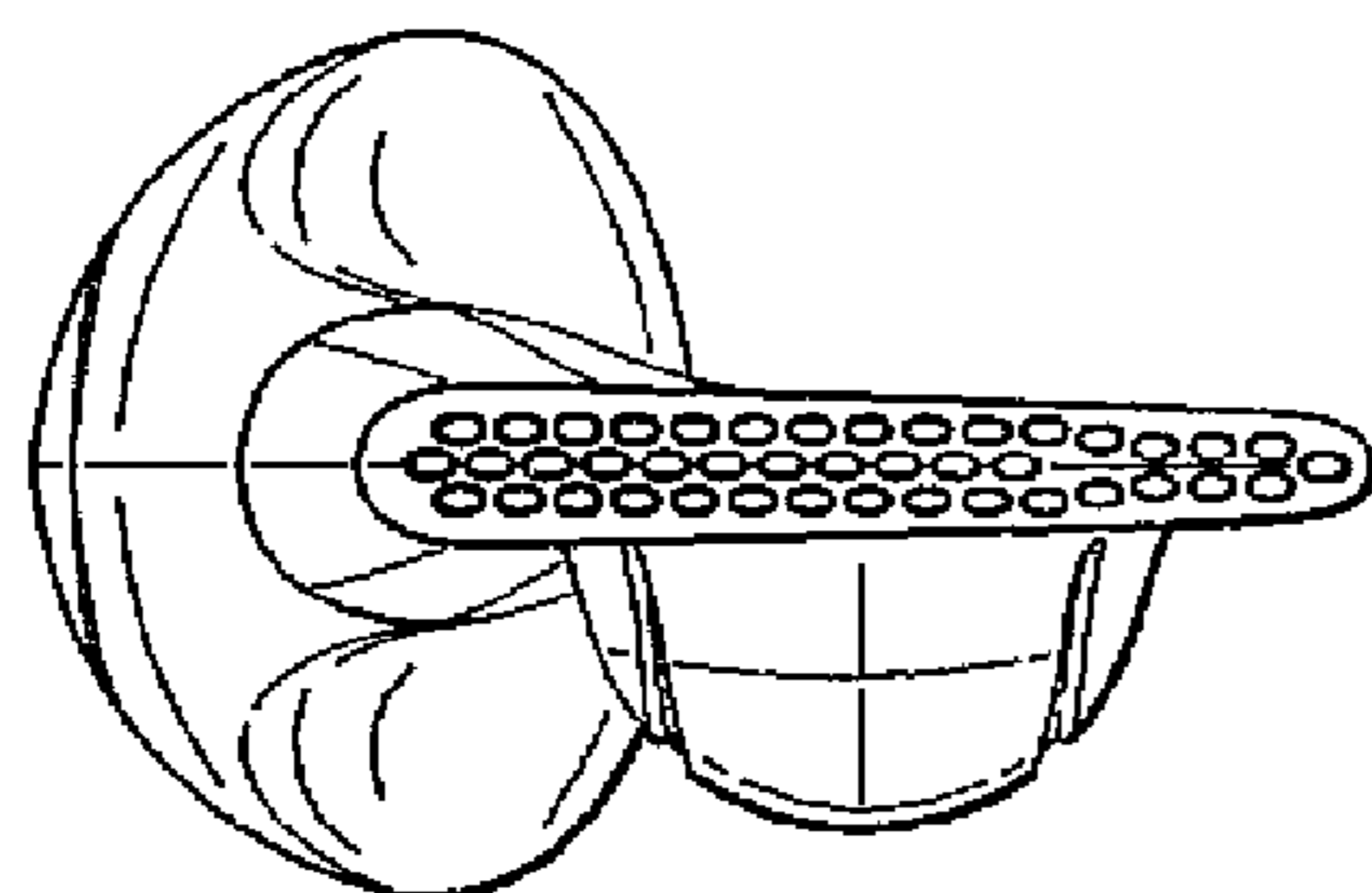


FIG. 2

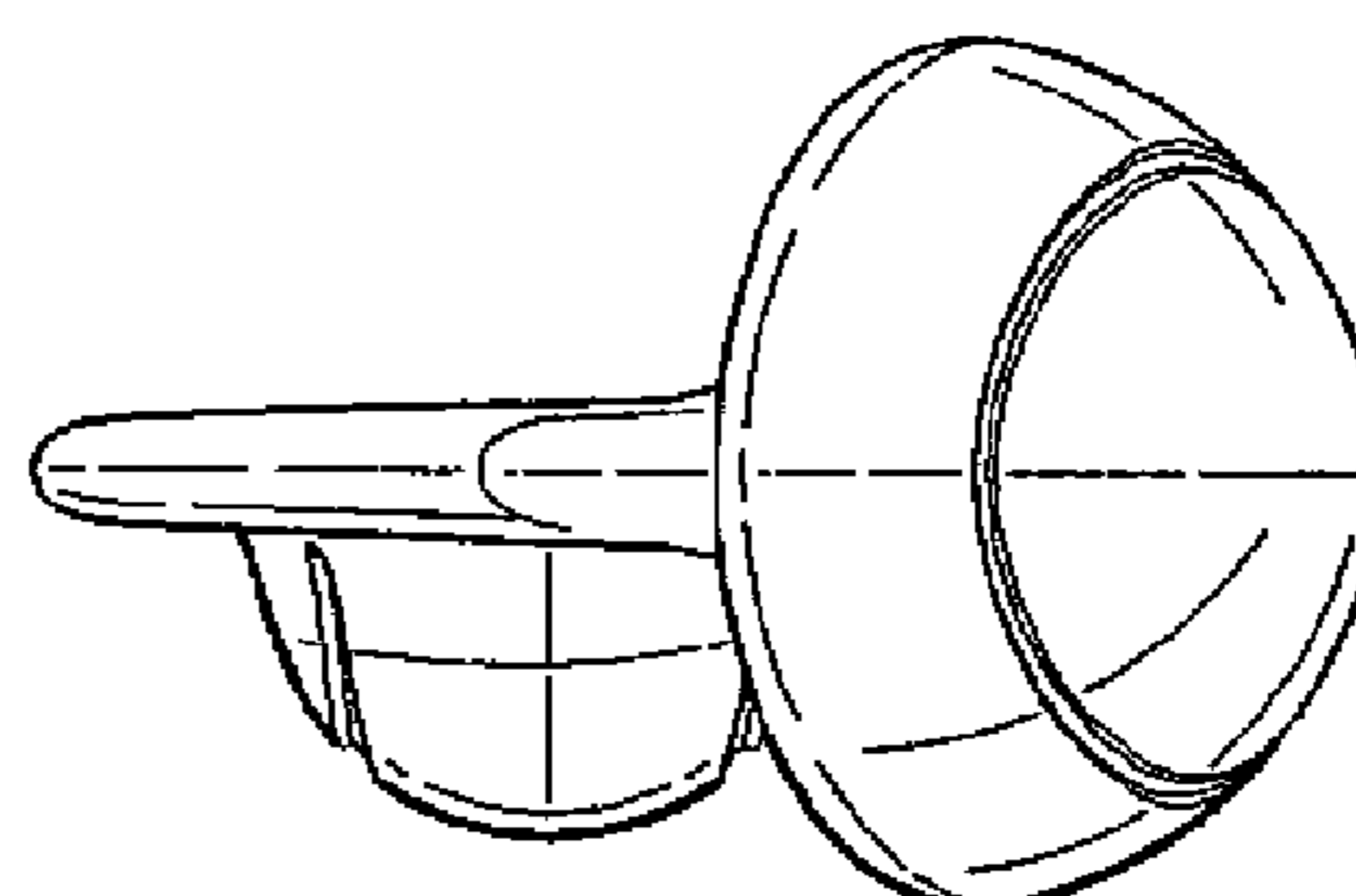


FIG. 3

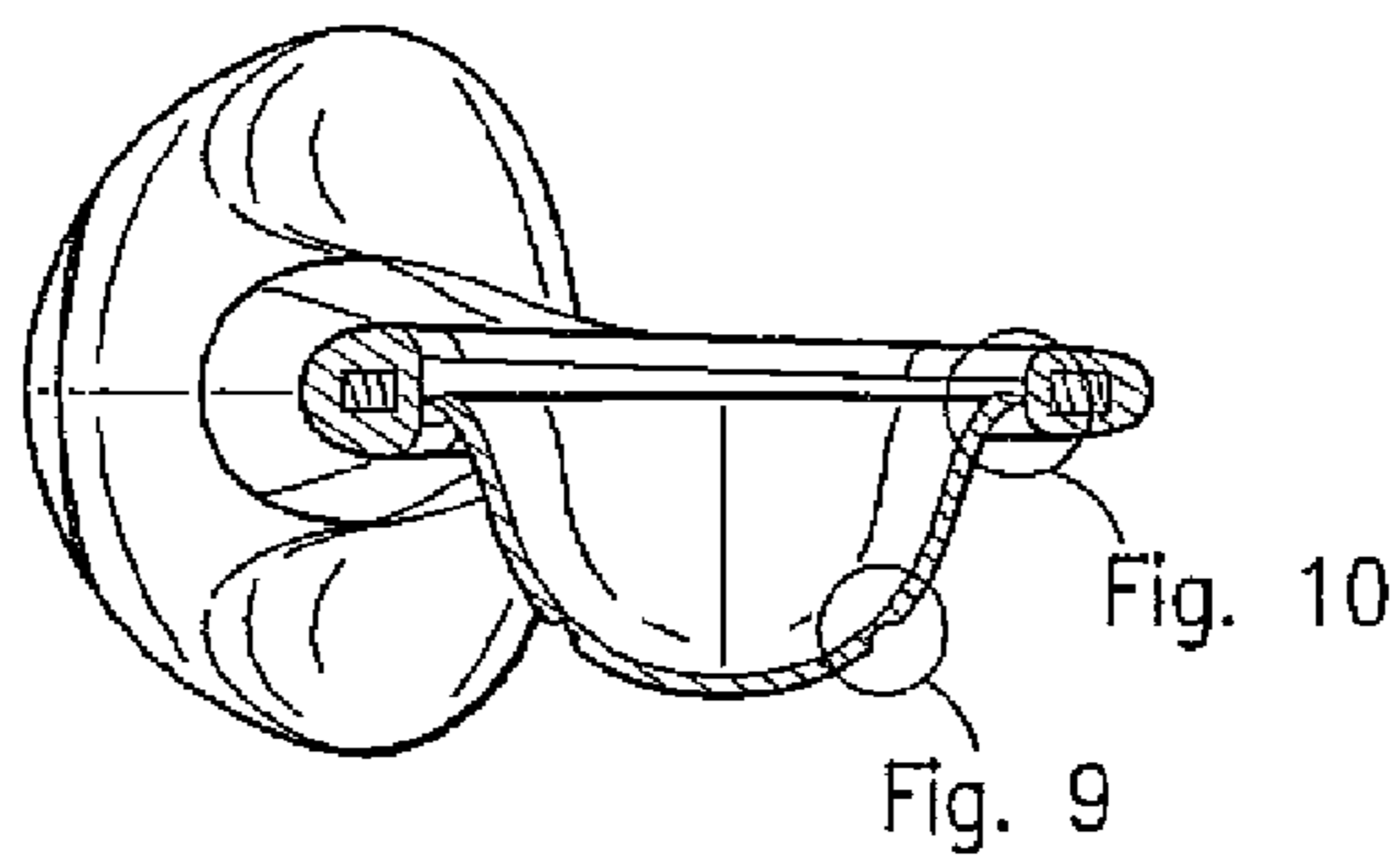


FIG. 8



FIG. 9

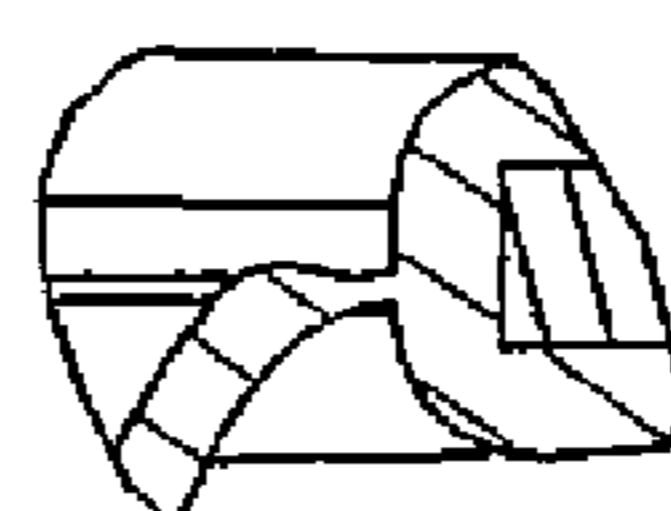


FIG. 10

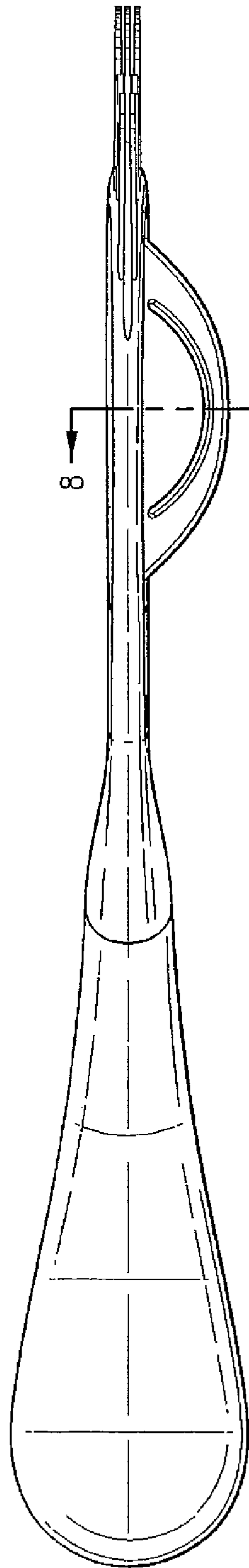


FIG. 4

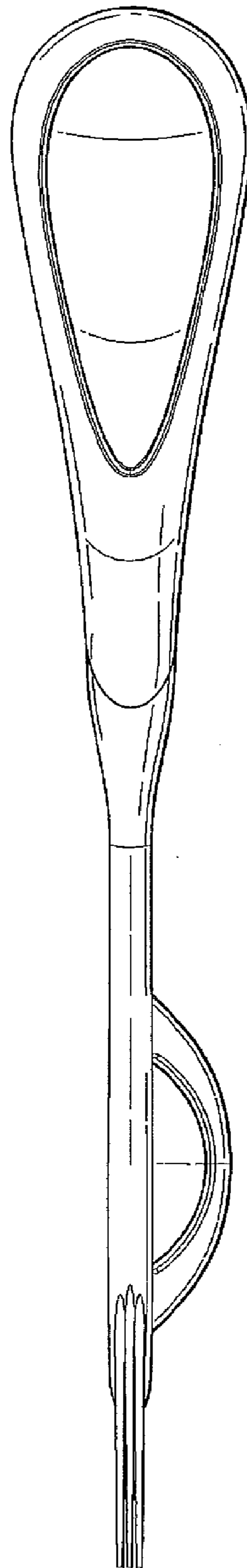


FIG. 5

