

US00D568610S

(12) **United States Design Patent**
McQueen

(10) **Patent No.:** **US D568,610 S**

(45) **Date of Patent:** **** May 13, 2008**

(54) **MAGNETIC TOOTHBRUSH SYSTEM**

5,163,566 A 11/1992 Hempel
D359,167 S * 6/1995 Barre D4/104
5,921,407 A * 7/1999 Kabanek 211/65

(76) Inventor: **Joyce E. McQueen**, 64 Mascot St.,
Dorchester, MA (US) 02124

(**) Term: **14 Years**

(21) Appl. No.: **29/229,168**

(22) Filed: **May 5, 2005**

(51) **LOC (8) Cl.** **04-02**

(52) **U.S. Cl.** **D4/108; D6/528**

(58) **Field of Classification Search** D4/104-112,
D4/116, 199; D6/524, 527, 528, 534, 553,
D6/555; 15/167.1; 206/349, 350, 361, 362.1;
211/65, 66, DIG. 1, 85.13, 86.01, 87.01,
211/88.01; 248/683; 132/308-311
See application file for complete search history.

(56) **References Cited**

U.S. PATENT DOCUMENTS

1,241,732 A *	10/1917	Henderson	211/88.01
D72,543 S	5/1927	Balmer		
1,894,488 A *	1/1933	Harris	132/310
1,923,978 A *	8/1933	Hill	368/10
2,414,653 A	1/1947	Lookholder		
2,472,058 A	6/1949	Artley		
D160,484 S	10/1950	De Mark		
D160,604 S *	10/1950	Hutson	D4/104
2,642,999 A	5/1953	McPherson		
2,798,241 A	7/1957	Cohen		
D216,316 S	12/1969	Antaramian		
3,782,799 A	1/1974	Hansen		
D253,151 S *	10/1979	Heckler	D6/534
4,523,599 A	6/1985	Collet		
D305,386 S *	1/1990	Rams et al.	D4/104
5,086,916 A *	2/1992	Gray	206/209.1

* cited by examiner

Primary Examiner—Cathron Brooks
Assistant Examiner—Lavone D. Tabor
(74) *Attorney, Agent, or Firm*—Lambert & Associates; Gary E. Lambert; Craig Dorais

(57) **CLAIM**

The ornamental design for a magnetic toothbrush system, as shown and described.

DESCRIPTION

FIG. 1 is a perspective view of the magnetic toothbrush system, displaying the option of storing a tube of toothpaste on the absorbent shelf, which embodies my design;

FIG. 2 is a perspective view;

FIG. 3 is a front view;

FIG. 4 is a left side view;

FIG. 5 is a top view;

FIG. 6 is a right side view;

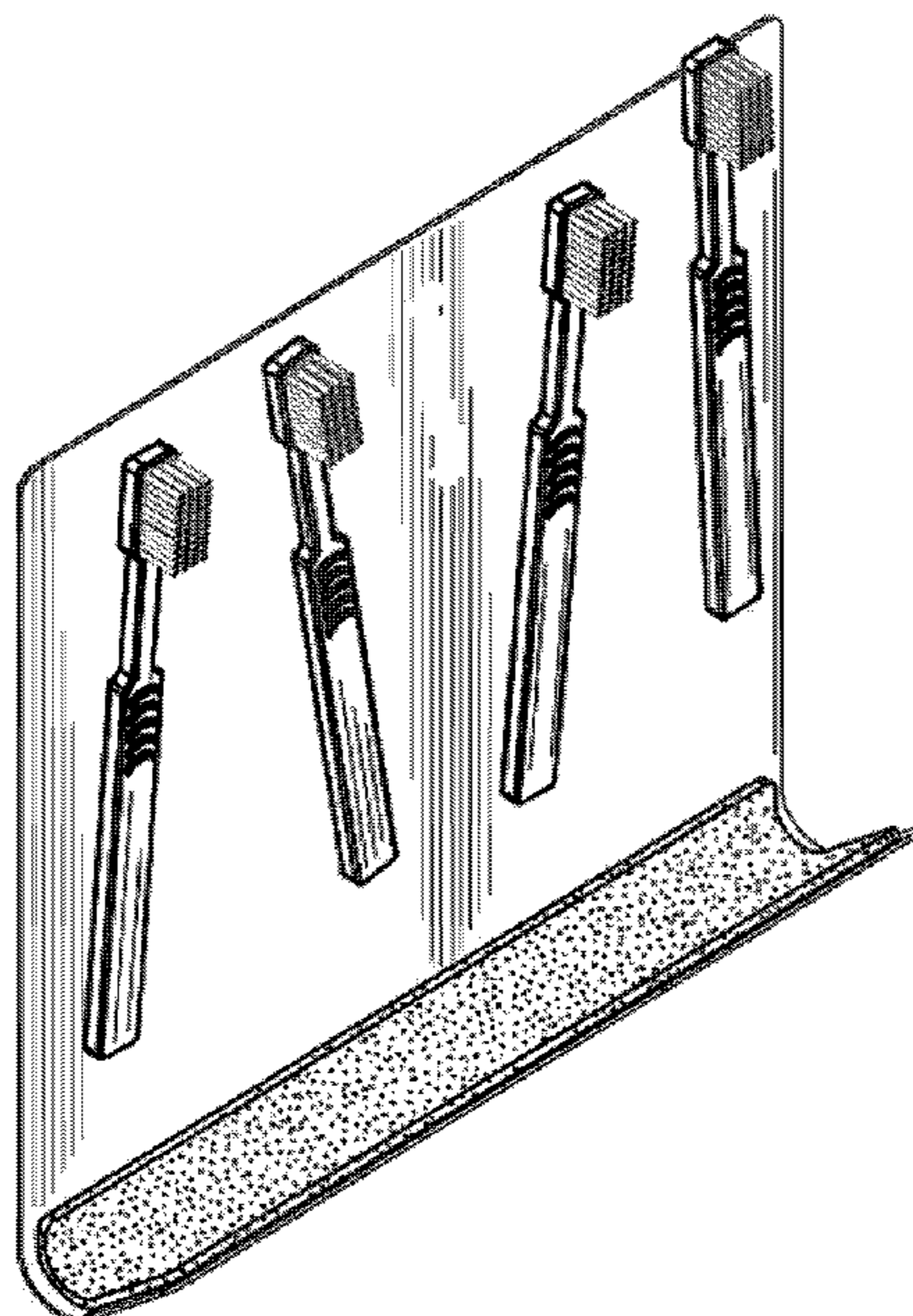
FIG. 7 is a back view illustrating adhesive portions;

FIG. 8 is a bottom view; and,

FIG. 9 is a back view of a magnetic toothbrush, shown separately for clarity of illustration.

The broken line showing of a toothpaste tube is illustrated for the purpose of showing environmental structure, which forms no part of the claimed design.

1 Claim, 4 Drawing Sheets



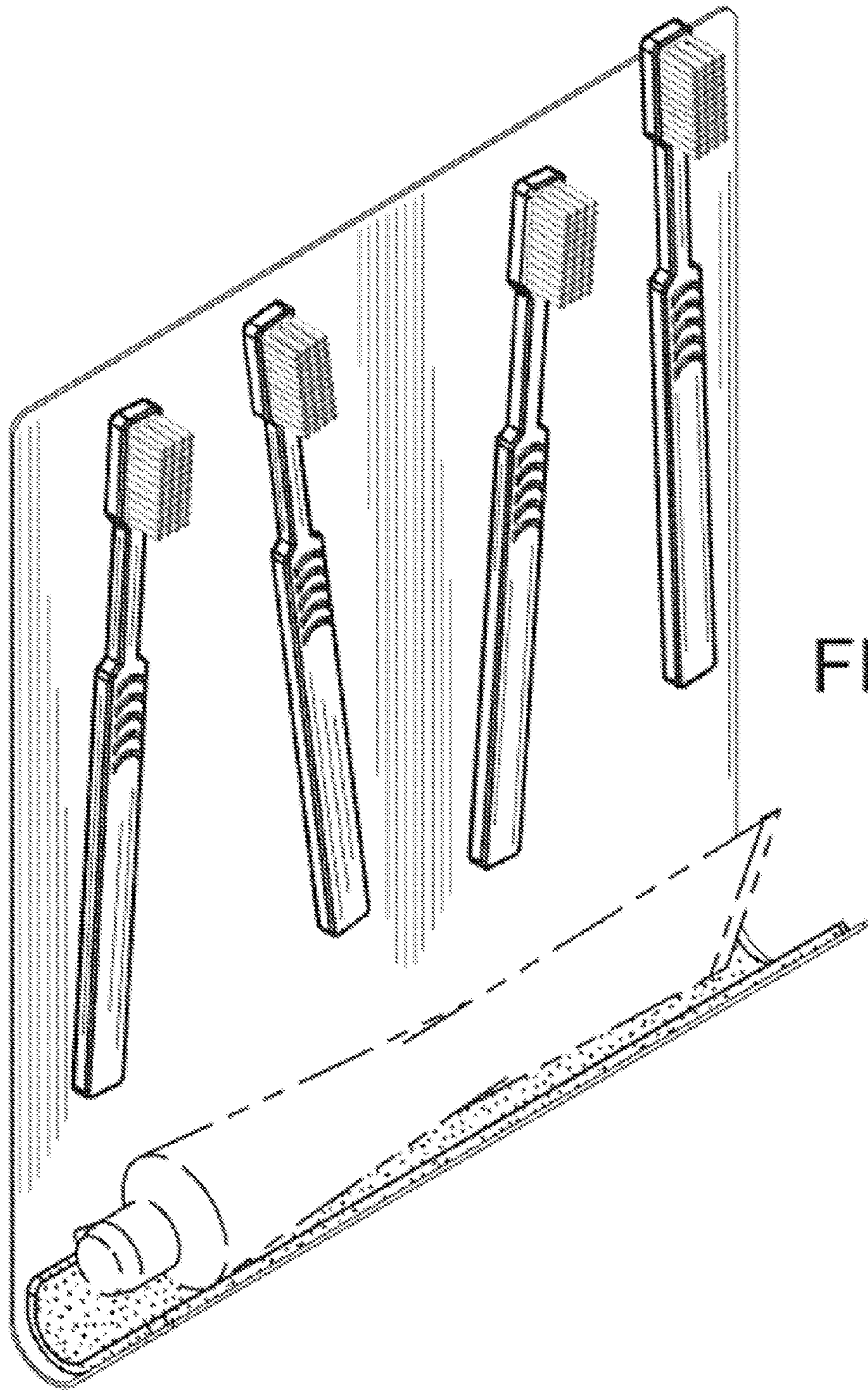


FIG. 1

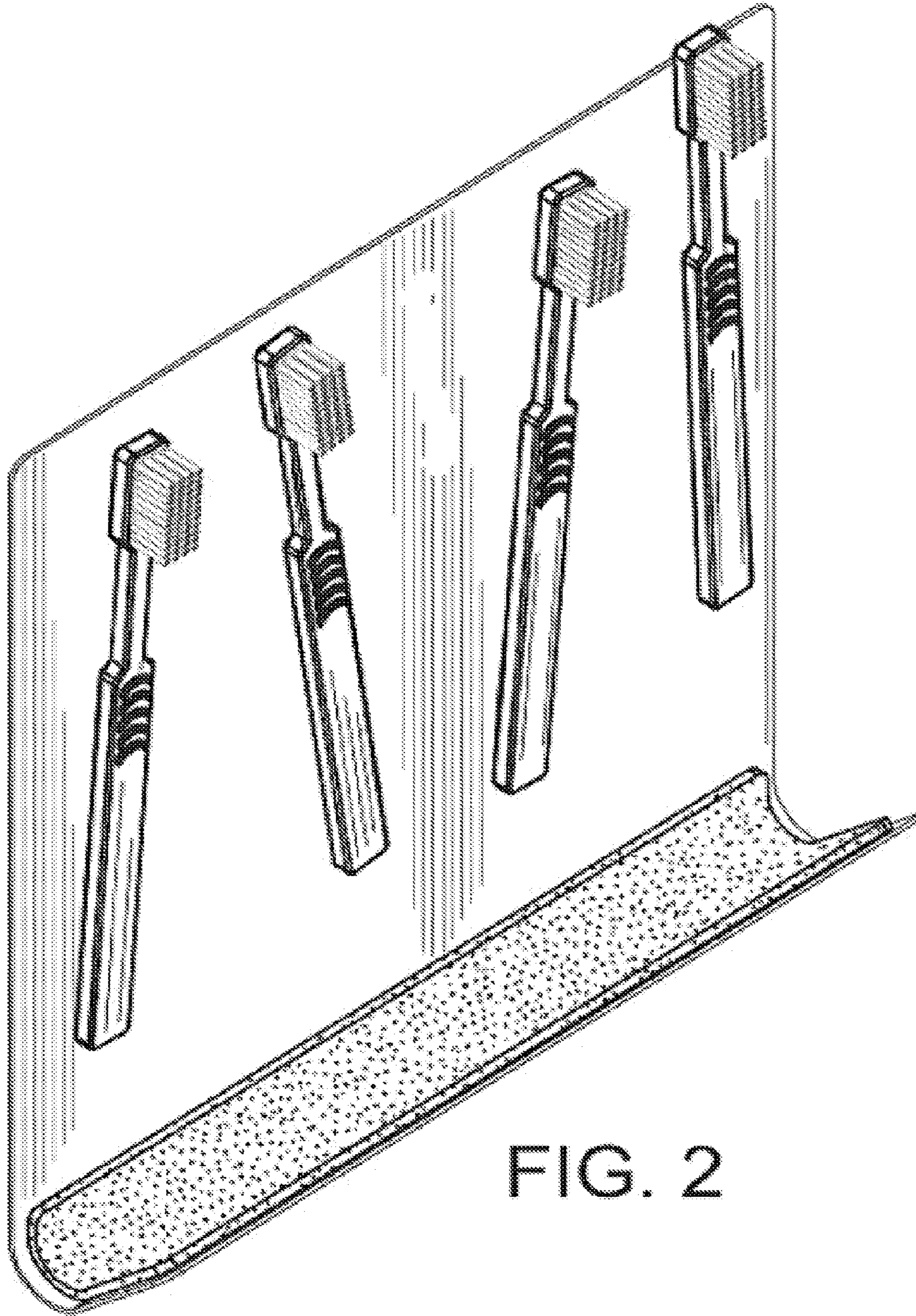


FIG. 2

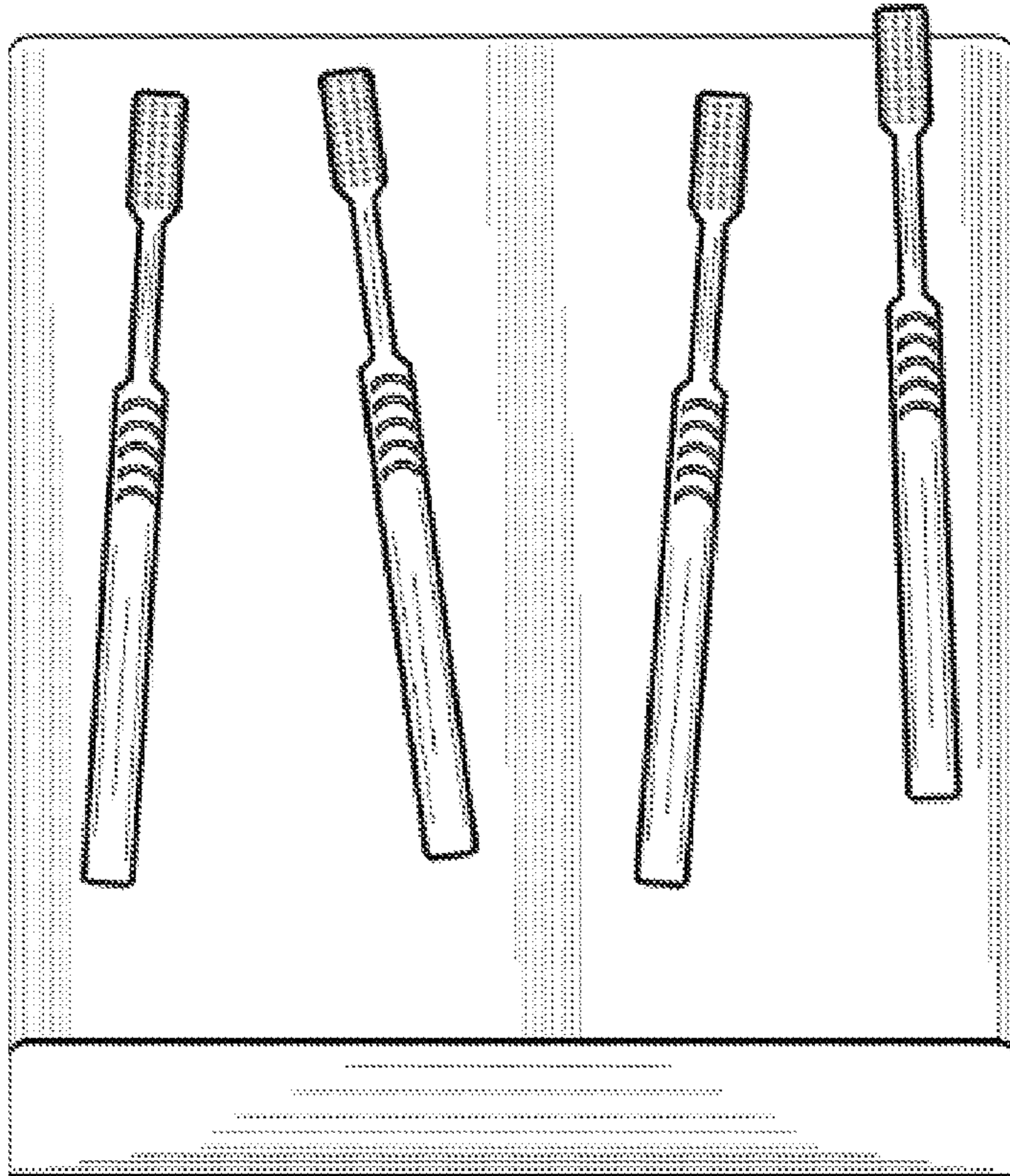


FIG. 3

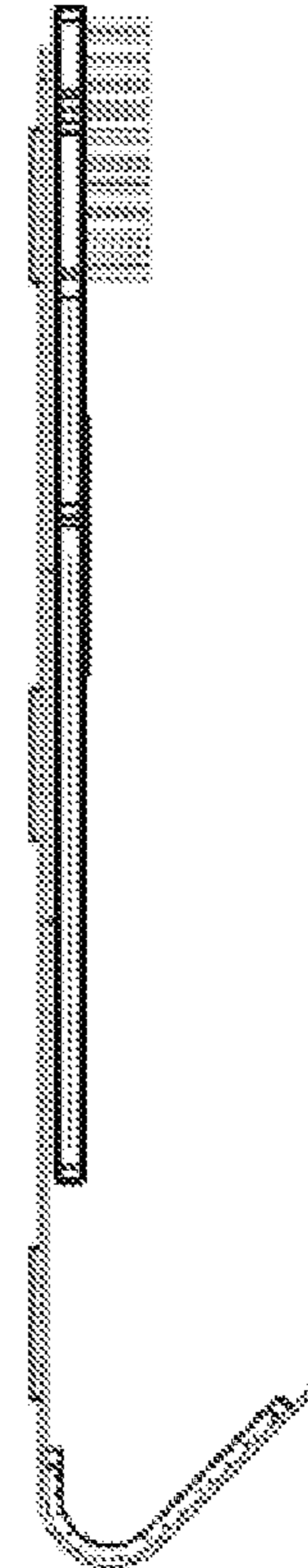


FIG. 4

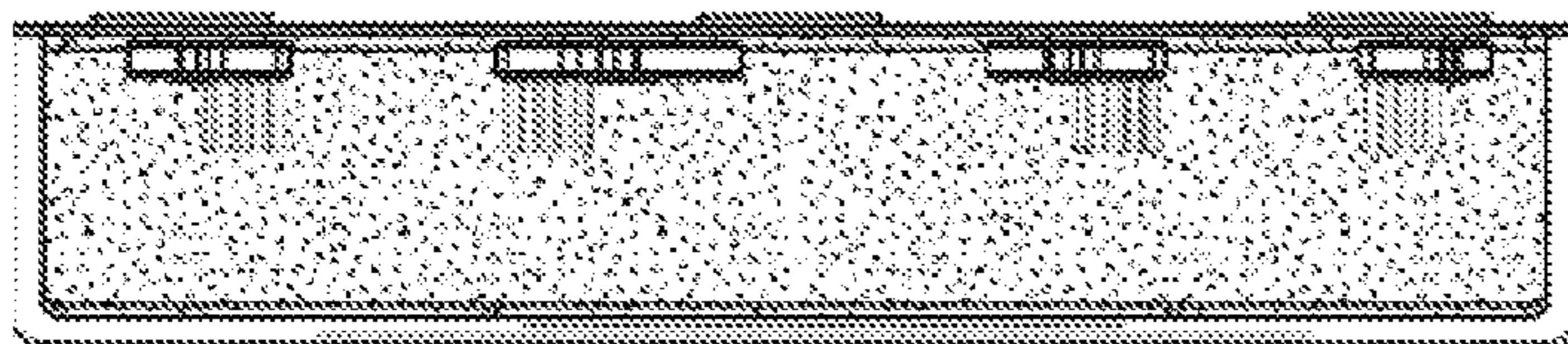


FIG. 5



FIG. 6

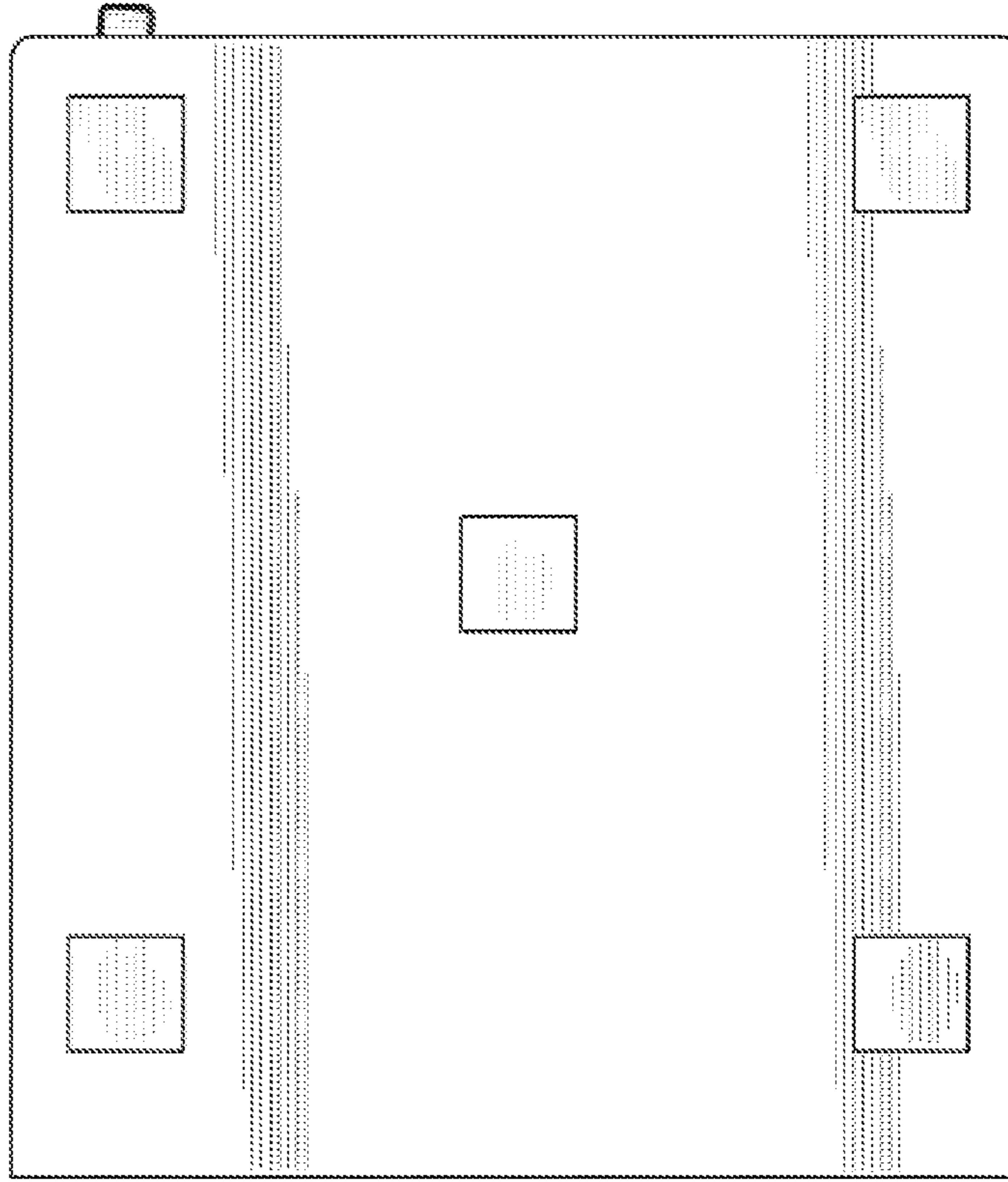


FIG. 7

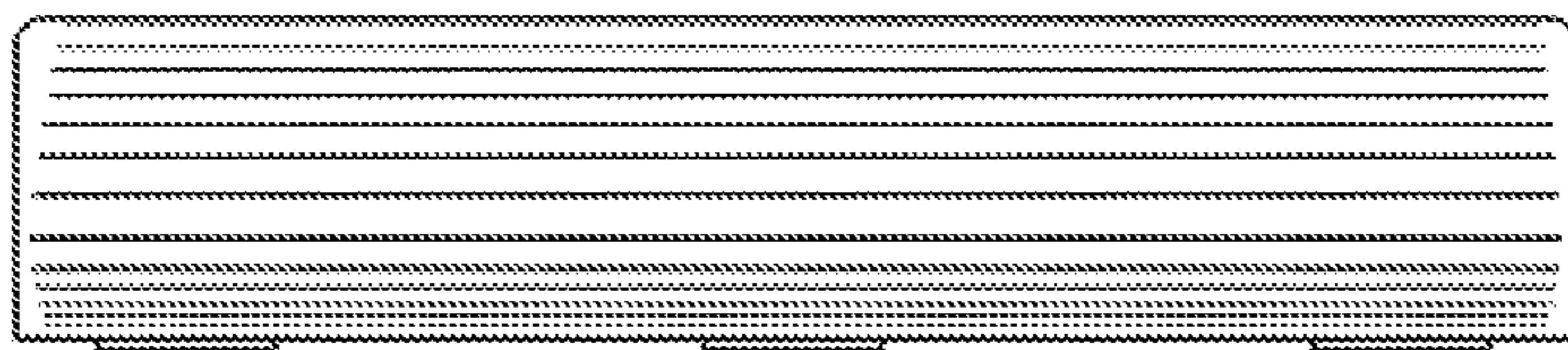


FIG. 8

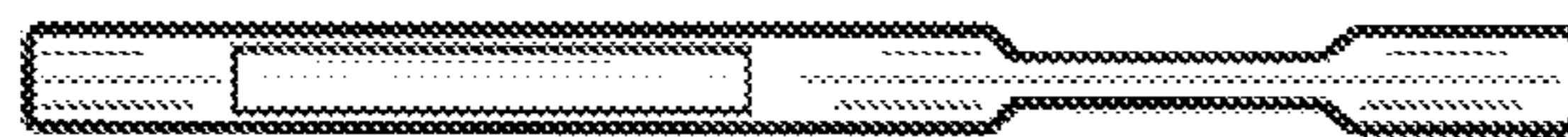


FIG. 9