



US00D568607S

(12) **United States Design Patent**  
**Hsu**

(10) **Patent No.:** **US D568,607 S**

(45) **Date of Patent:** **\*\* May 13, 2008**

(54) **TOOL BOX**

D529,716 S \* 10/2006 Wang ..... D3/282

(76) Inventor: **Yu-Mei Hsu**, 235 Chung - Ho Box  
8-24, Taipei (TW)

\* cited by examiner

*Primary Examiner*—Philip S. Hyder  
*Assistant Examiner*—RoseLynne [Ulm] Cody

(\*\*) Term: **14 Years**

(21) Appl. No.: **29/269,060**

(57) **CLAIM**

(22) Filed: **Nov. 20, 2006**

The ornamental design for a tool box, as shown and described.

(51) **LOC (8) Cl.** ..... **03-01**

(52) **U.S. Cl.** ..... **D3/282; D3/905**

(58) **Field of Classification Search** ..... D3/201,  
D3/203.2, 203-203.8, 273, 276, 282, 294,  
D3/905; 206/349, 372-373, 376, 379  
See application file for complete search history.

**DESCRIPTION**

FIG. 1 is a perspective view of a tool box showing my new design;

FIG. 2 is a front elevational view thereof;

FIG. 3 is a rear elevational view thereof;

FIG. 4 is a left side view thereof;

FIG. 5 is a right side view thereof;

FIG. 6 is a top plan view thereof; and,

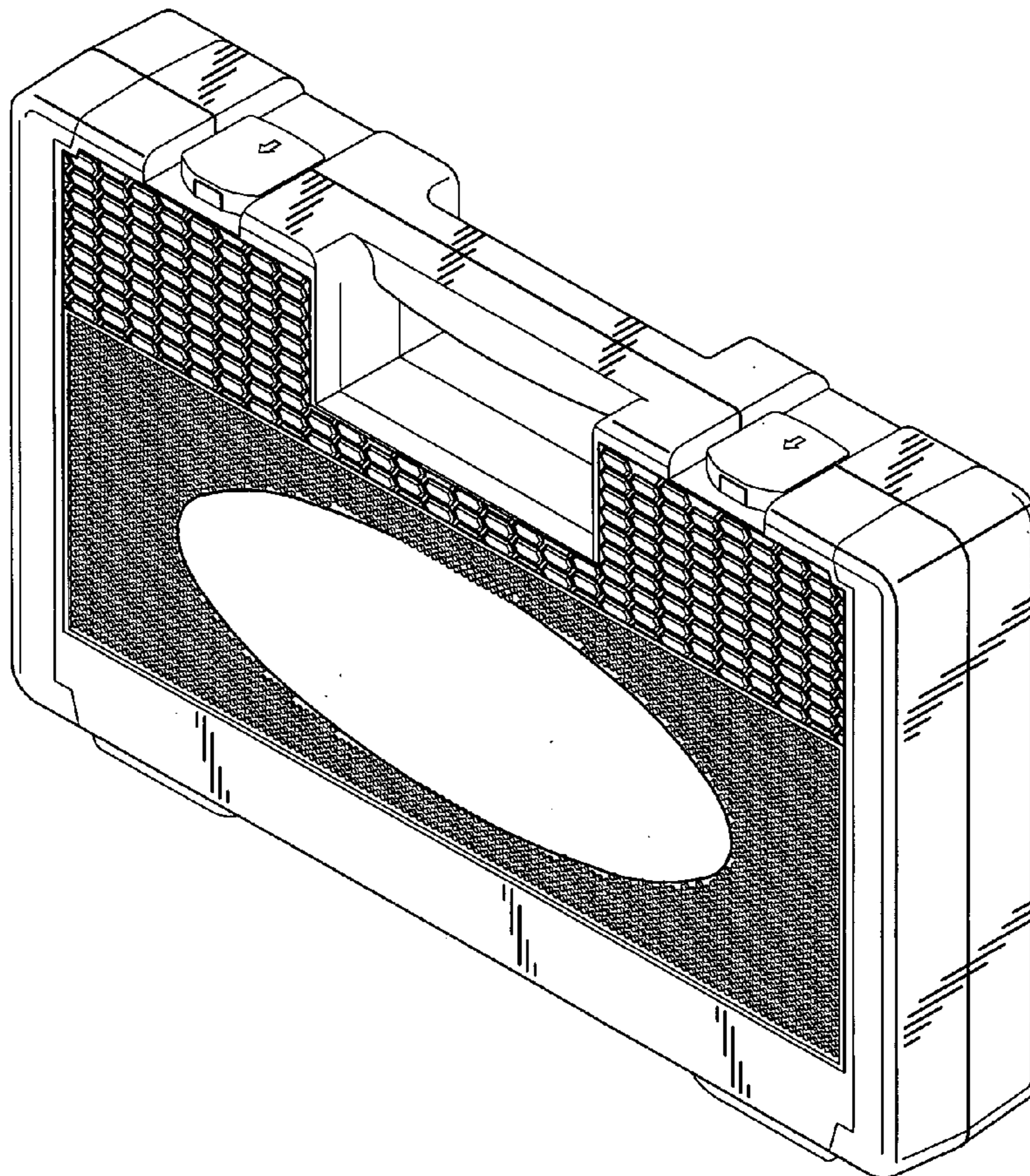
FIG. 7 is a bottom plan view thereof.

(56) **References Cited**

**U.S. PATENT DOCUMENTS**

5,685,451	A *	11/1997	Newby, Sr.	.....	220/675
6,070,754	A *	6/2000	Newby, Sr.	.....	220/675
D440,043	S *	4/2001	Miller et al.	.....	D3/282
6,415,924	B1 *	7/2002	Lee	.....	206/459.5
D477,913	S *	8/2003	Fang	.....	D3/282

**1 Claim, 4 Drawing Sheets**



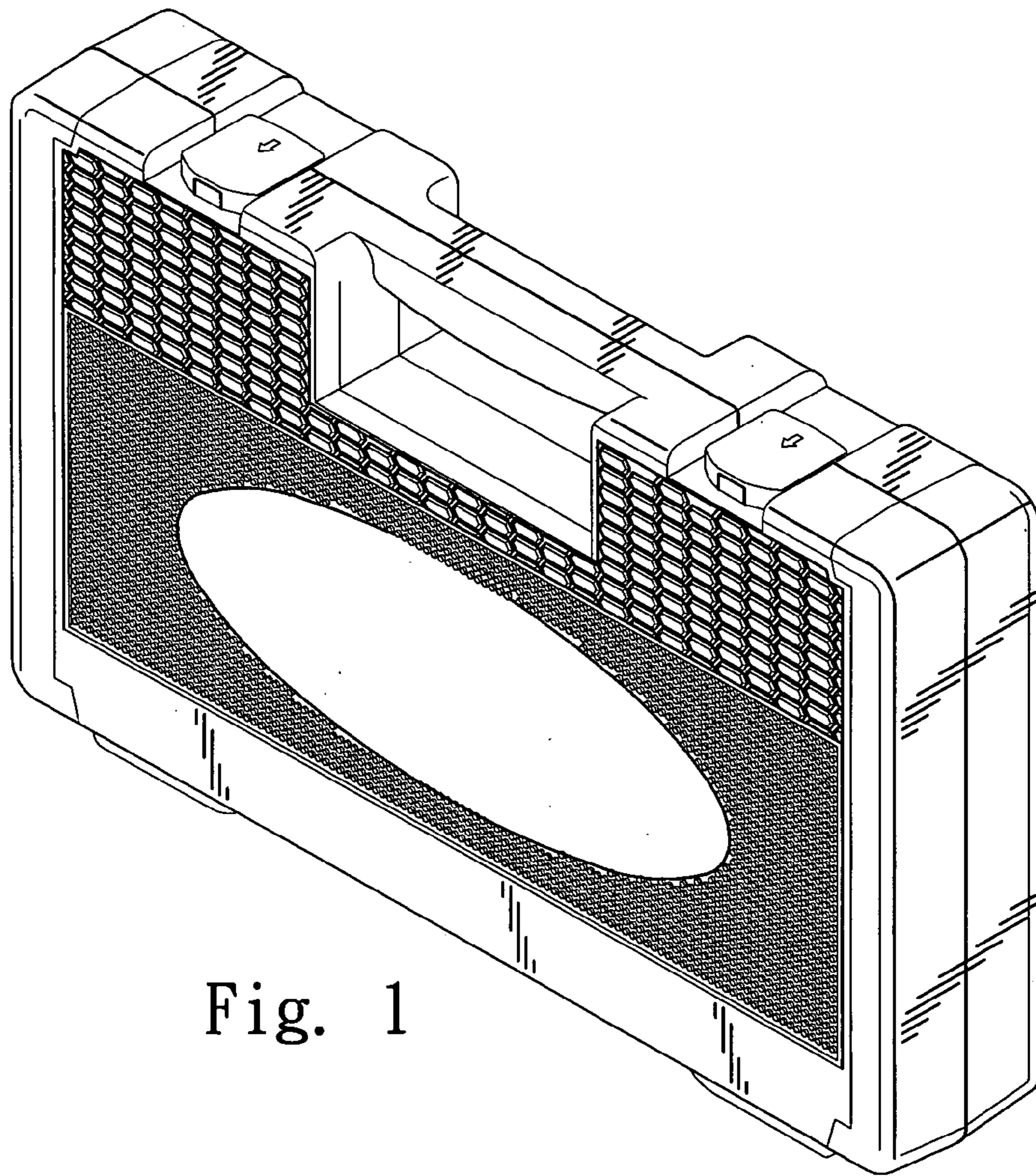


Fig. 1



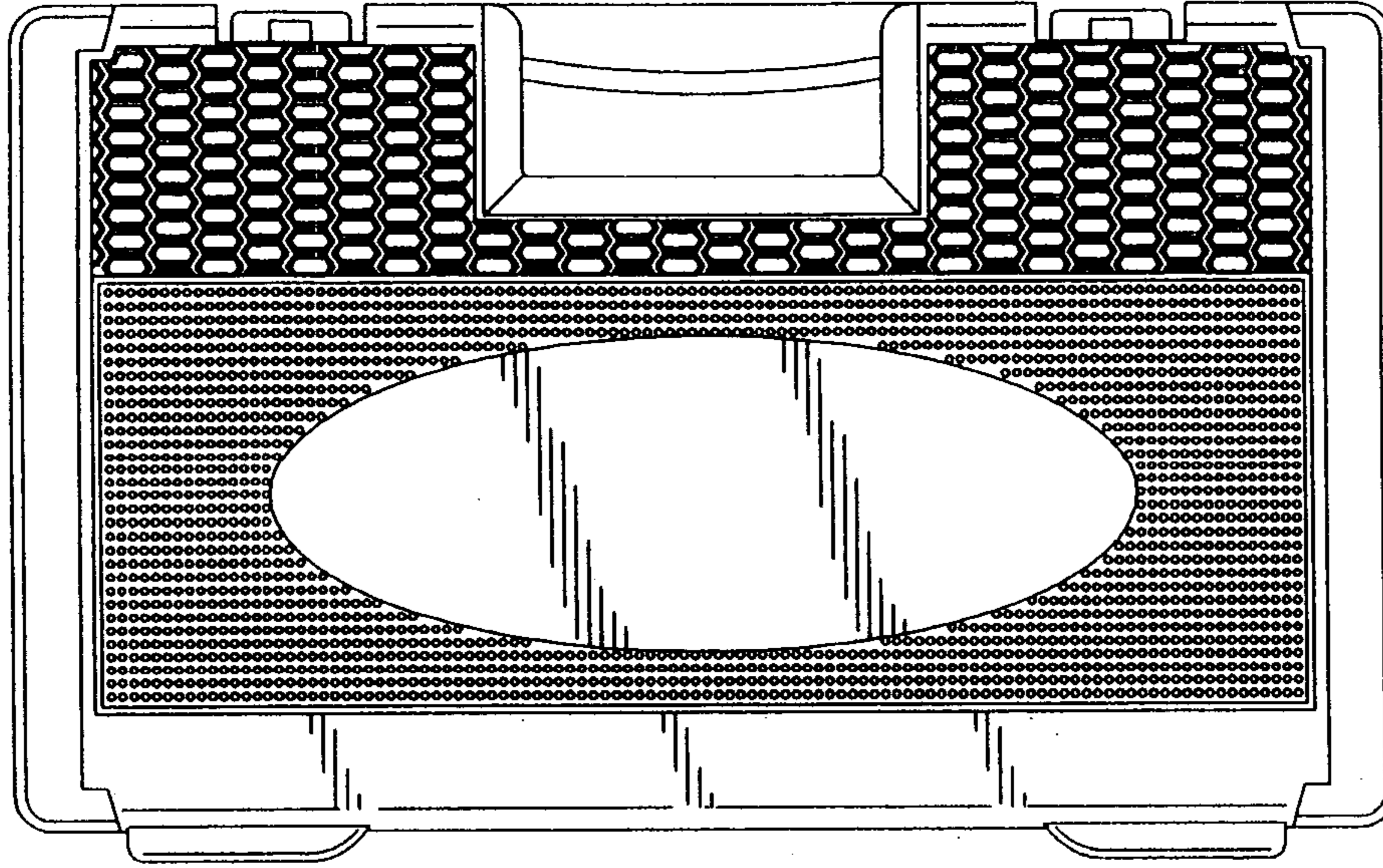


FIG. 2

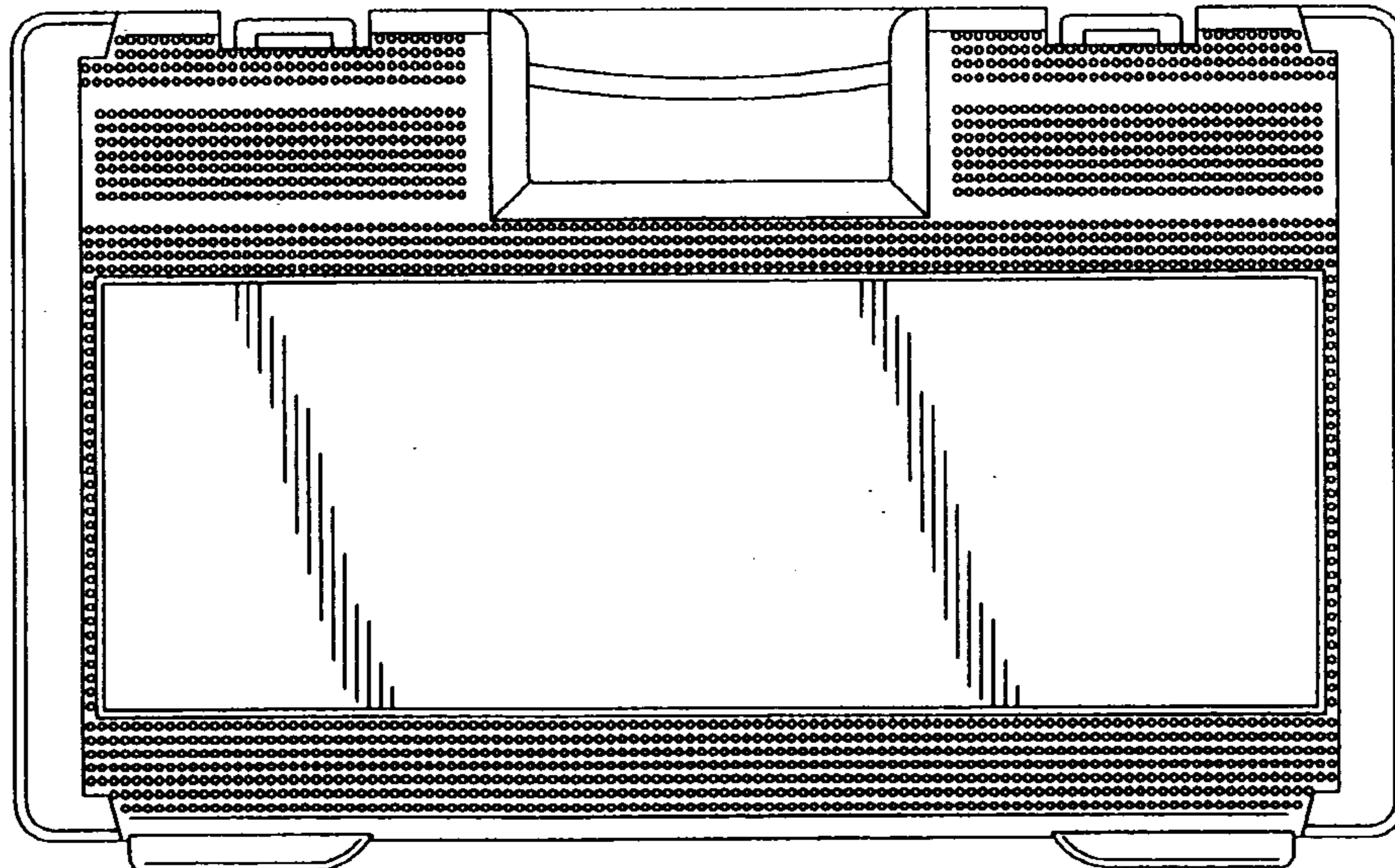


FIG. 3

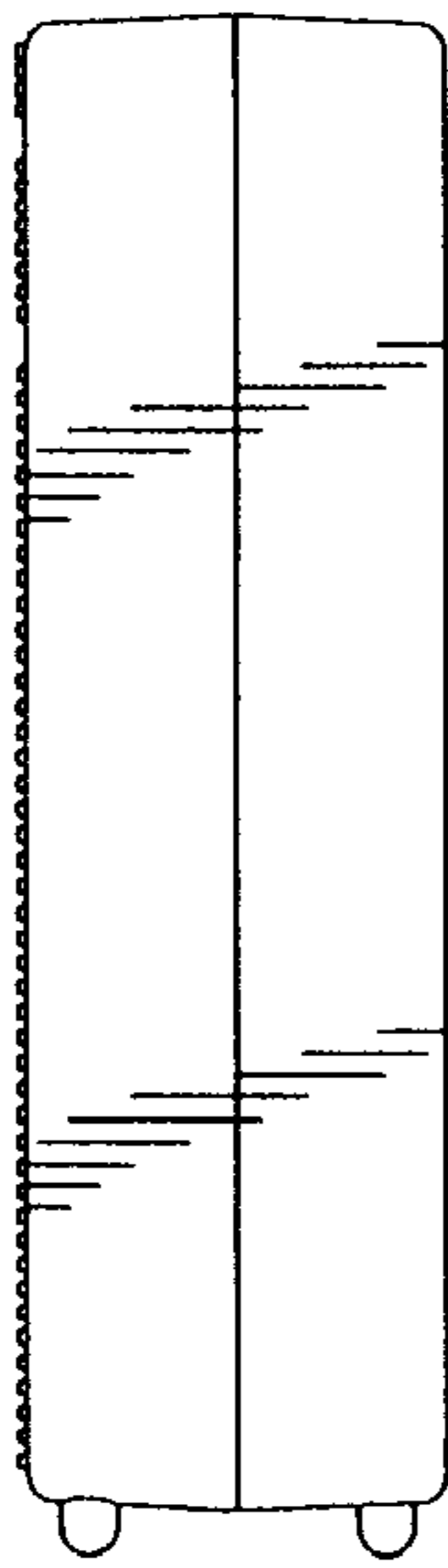


FIG. 4

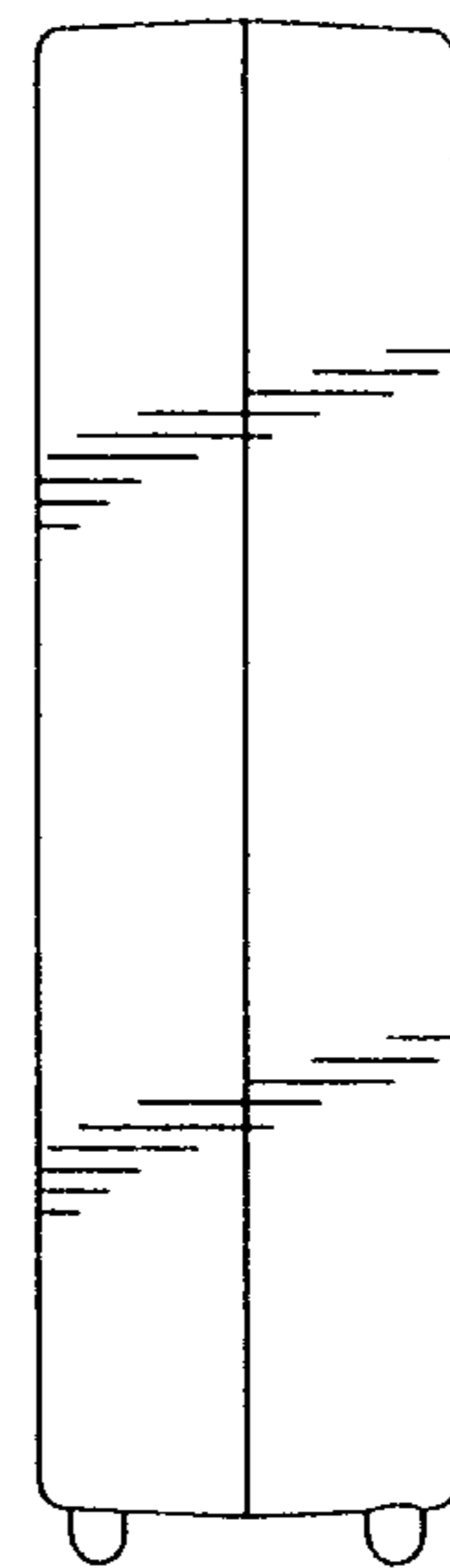


FIG. 5



FIG. 6

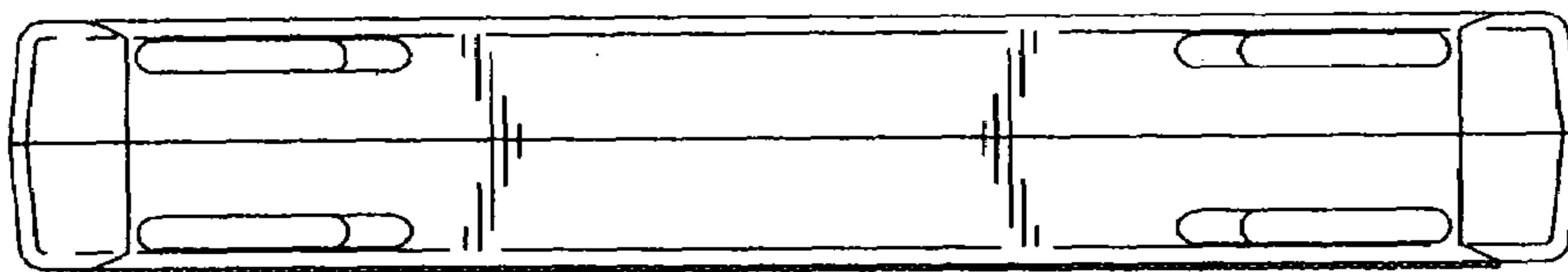


FIG. 7