



US00D568604S

(12) **United States Design Patent**
Kenny

(10) **Patent No.:** **US D568,604 S**

(45) **Date of Patent:** **** May 13, 2008**

(54) **TRAVEL CONTAINER FOR POWDERED SUBSTANCES**

Primary Examiner—Catherine R. Oliver

(74) *Attorney, Agent, or Firm*—Michael Best & Friedrich LLP

(75) Inventor: **Gregory J. Kenny**, Wakefield, MA (US)

(57) **CLAIM**

(73) Assignee: **The First Years Inc.**, Stoughton, MA (US)

The ornamental design for a travel container for powdered substances, as shown and described.

(**) Term: **14 Years**

DESCRIPTION

(21) Appl. No.: **29/277,089**

(22) Filed: **Feb. 13, 2007**

Related U.S. Application Data

(63) Continuation of application No. 29/251,433, filed on Jan. 5, 2006, now Pat. No. Des. 544,704.

(51) **LOC (8) Cl.** **03-01**

(52) **U.S. Cl.** **D3/203.1**

(58) **Field of Classification Search** D3/203.1, D3/203.2, 203.3, 203.4, 203.5, 201, 202, D3/205, 294; D9/422, 416, 418; 206/528–540; D28/78

See application file for complete search history.

FIG. 1 is a perspective view of the travel container for powdered substances showing my new design, with the tip and bottom lids shown closed;

FIG. 2 is right side perspective view thereof, with the tip and bottom lids shown open;

FIG. 3 is a left side perspective view thereof, with the tip and bottom lids shown open;

FIG. 4 is a right side view thereof;

FIG. 5 is a left side view thereof;

FIG. 6 is a rear view thereof;

FIG. 7 is a front view thereof;

FIG. 8 is a top view thereof; and,

FIG. 9 is a bottom view.

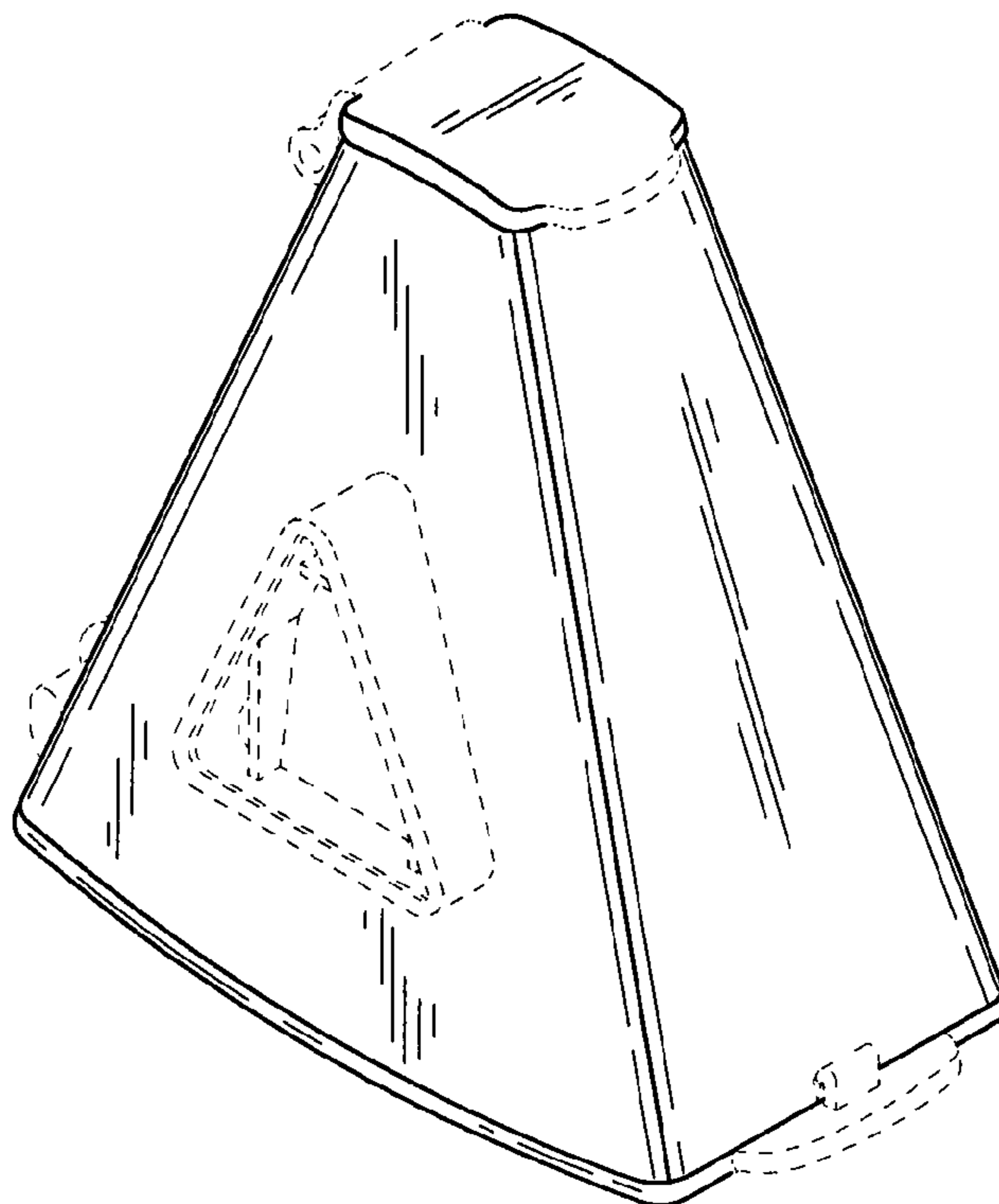
The broken line showing of environment in the drawings is included for the purpose of illustrating only and forms no part of the claimed design.

(56) **References Cited**

U.S. PATENT DOCUMENTS

- D445,563 S 7/2001 Cautereels
- D476,886 S 7/2003 Christianson
- D484,684 S 1/2004 Eldon, III et al.

1 Claim, 4 Drawing Sheets



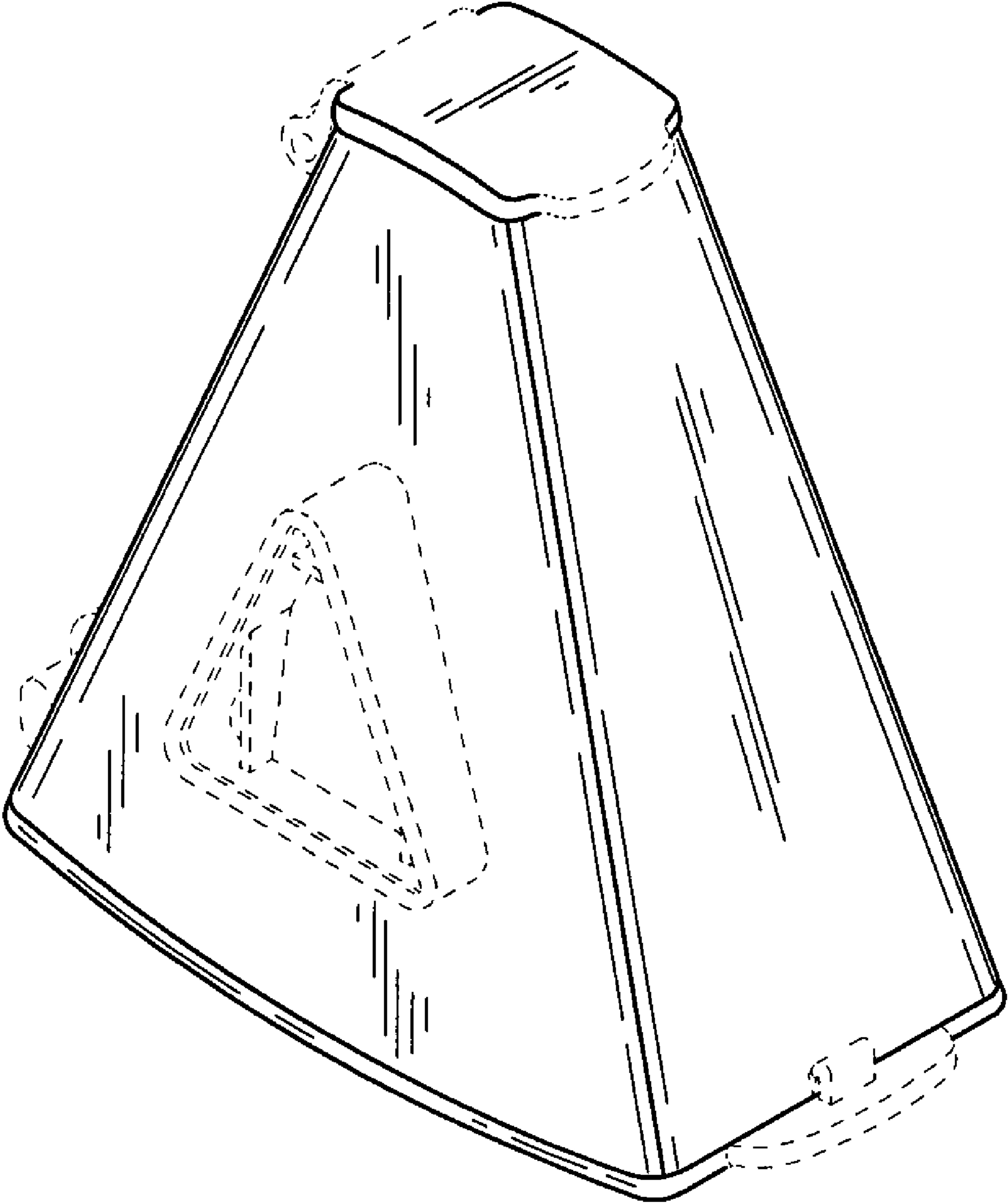


FIG. 1

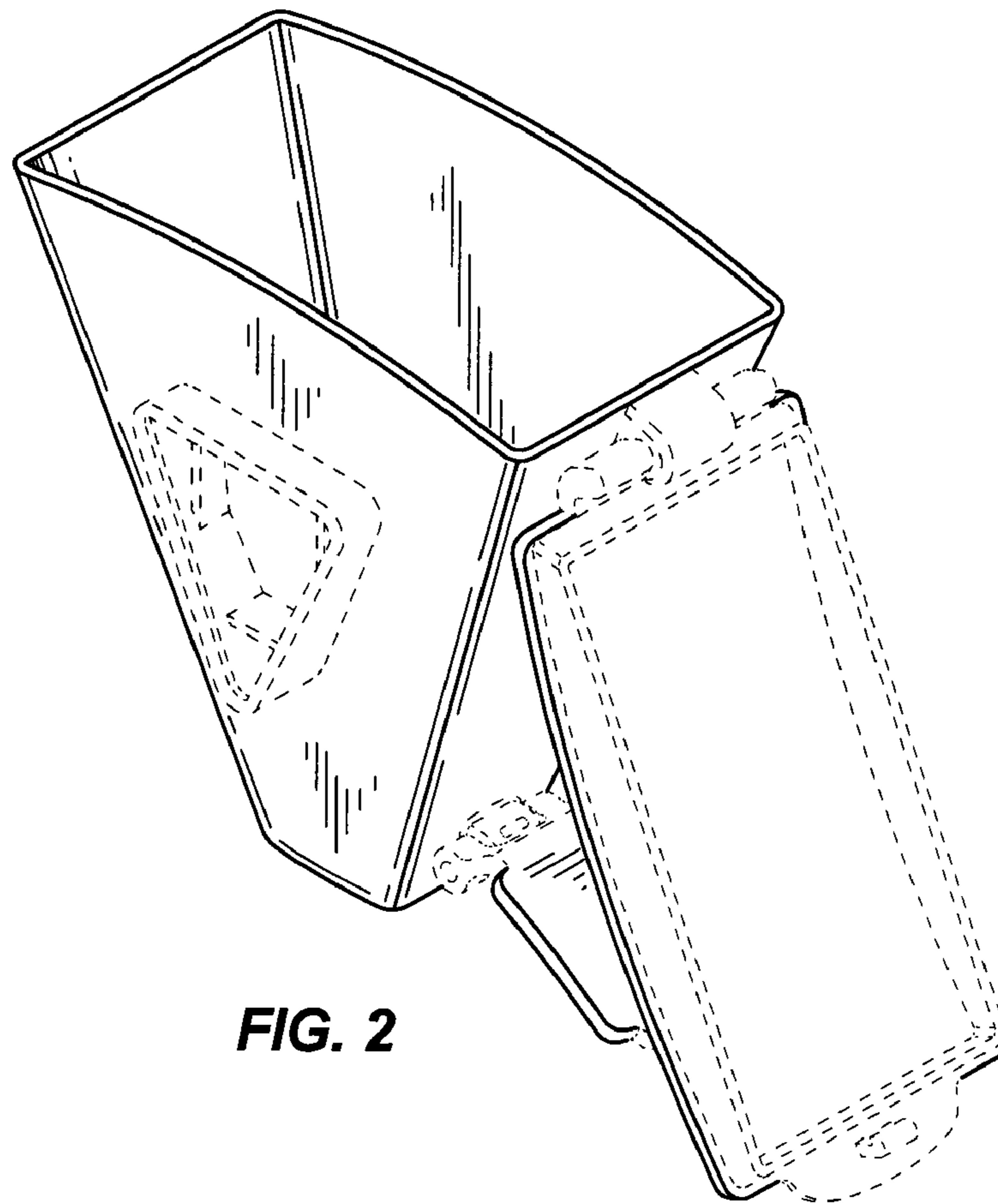


FIG. 2

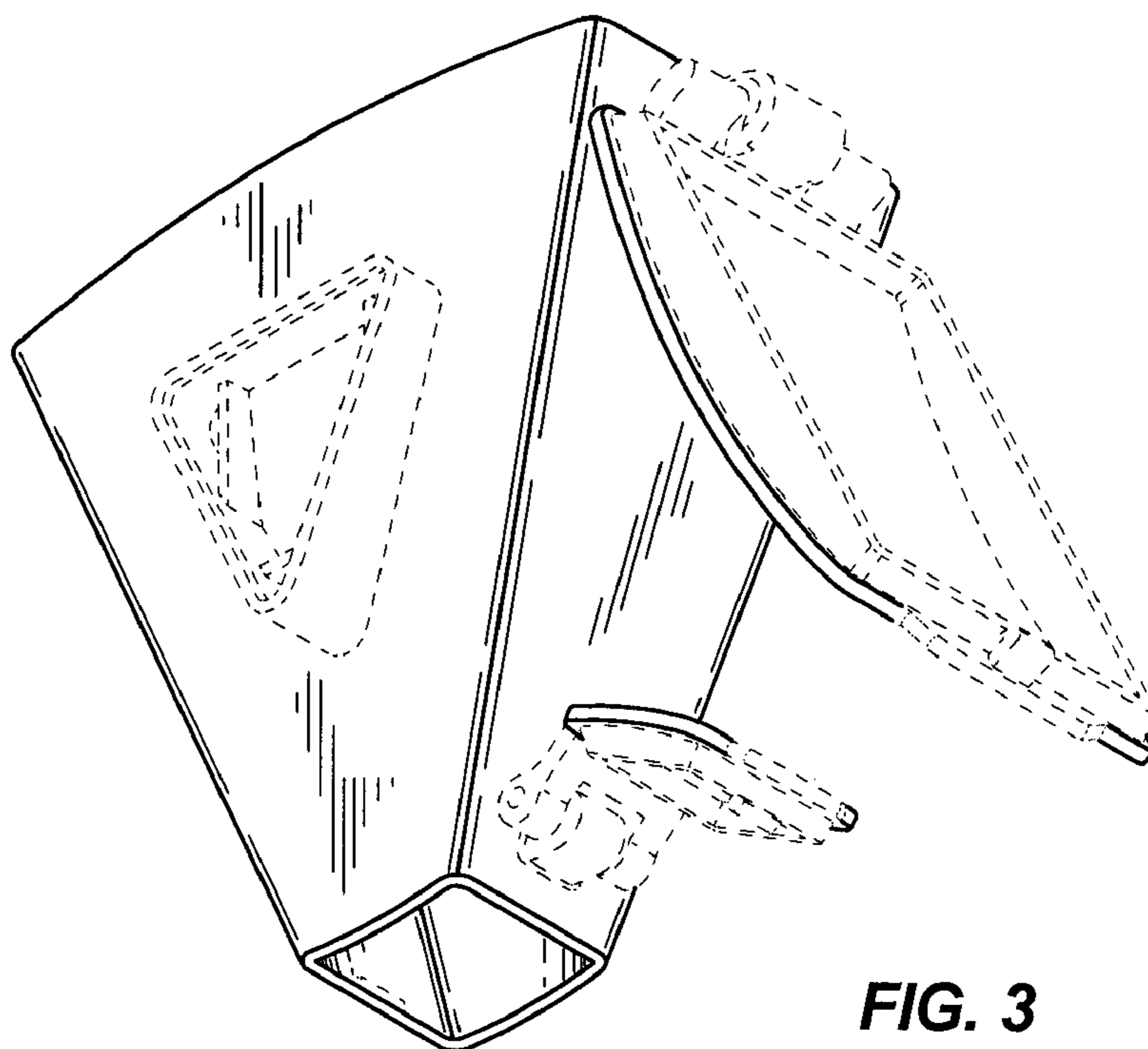


FIG. 3

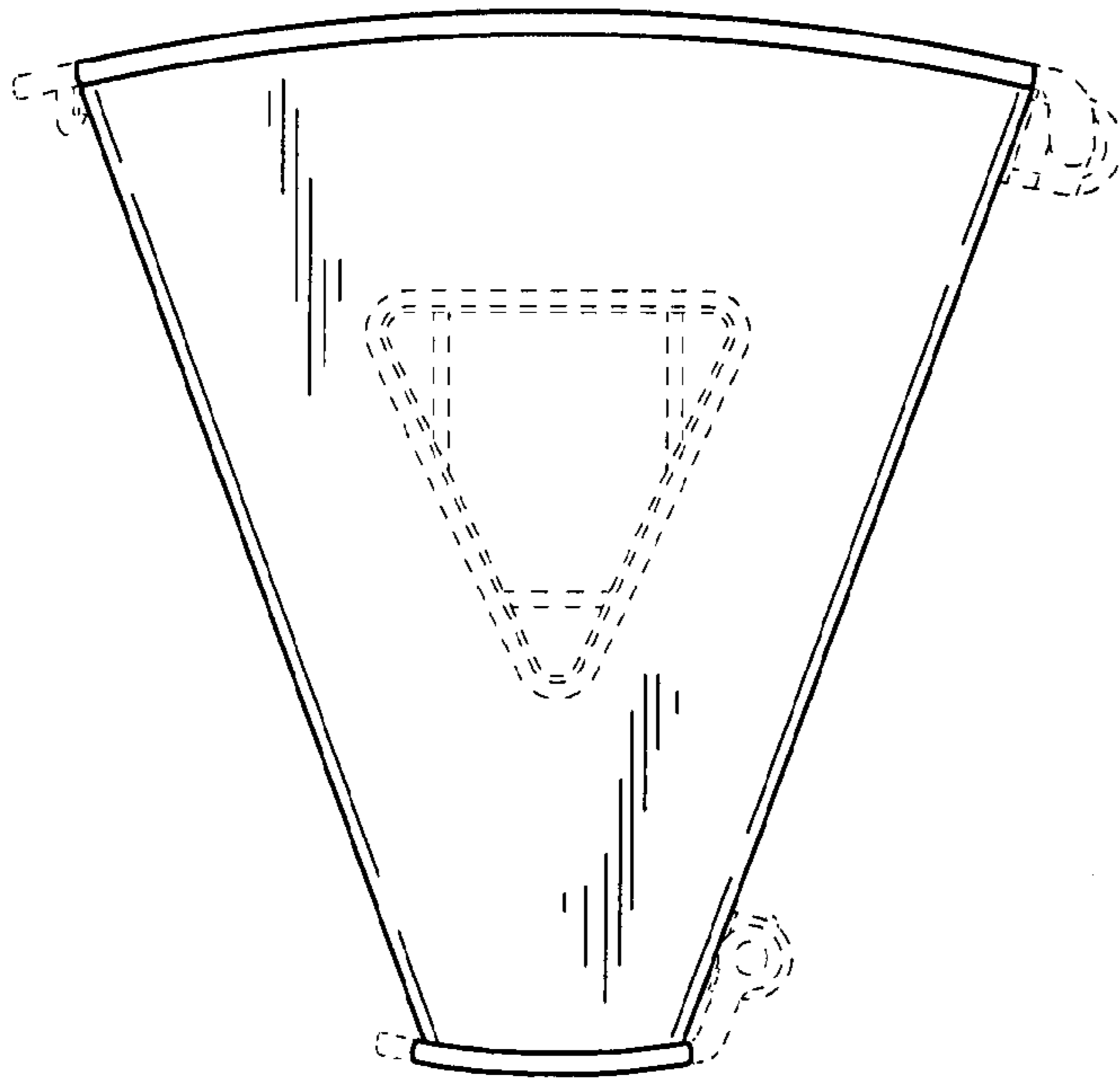


FIG. 4

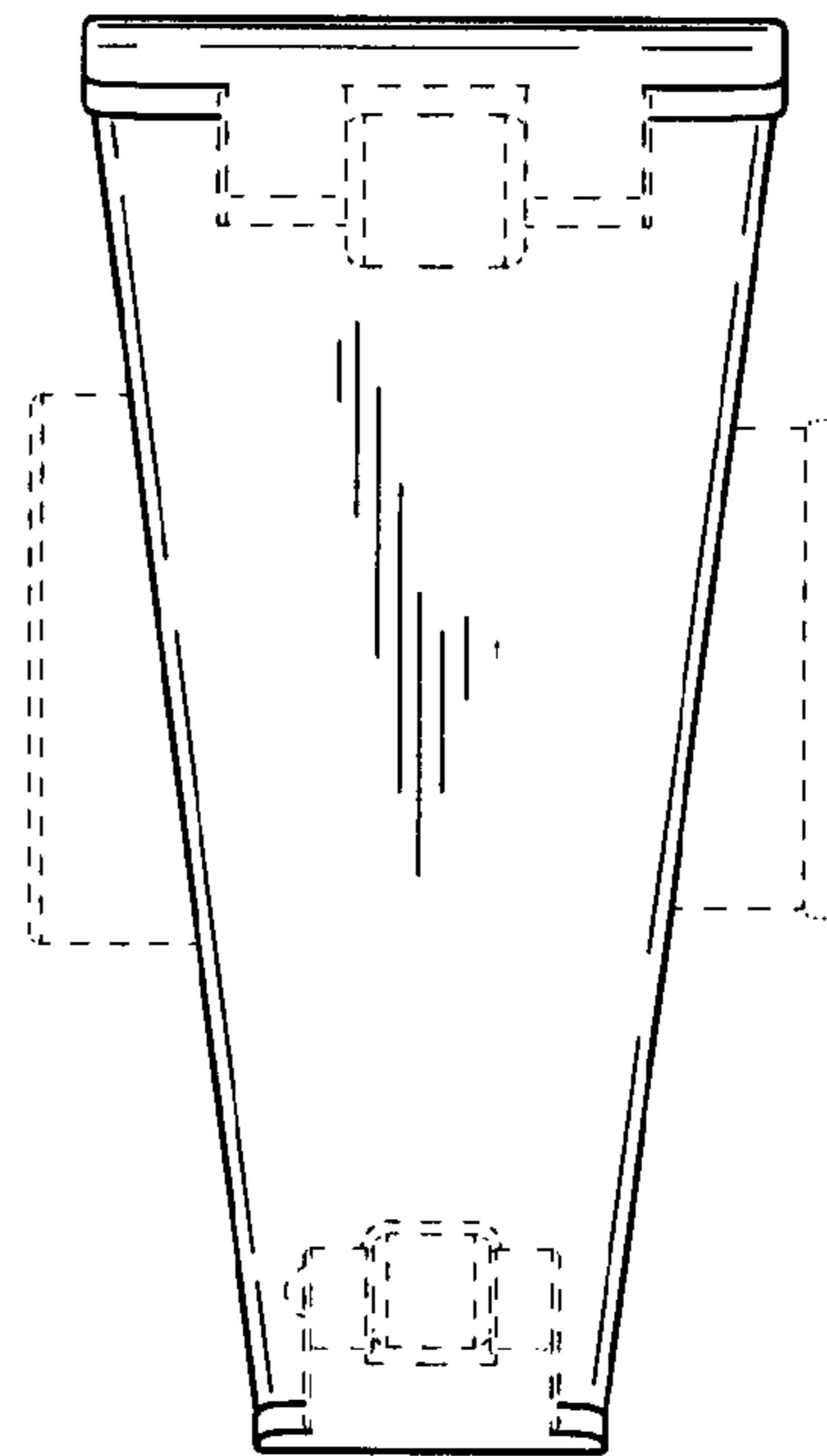


FIG. 6

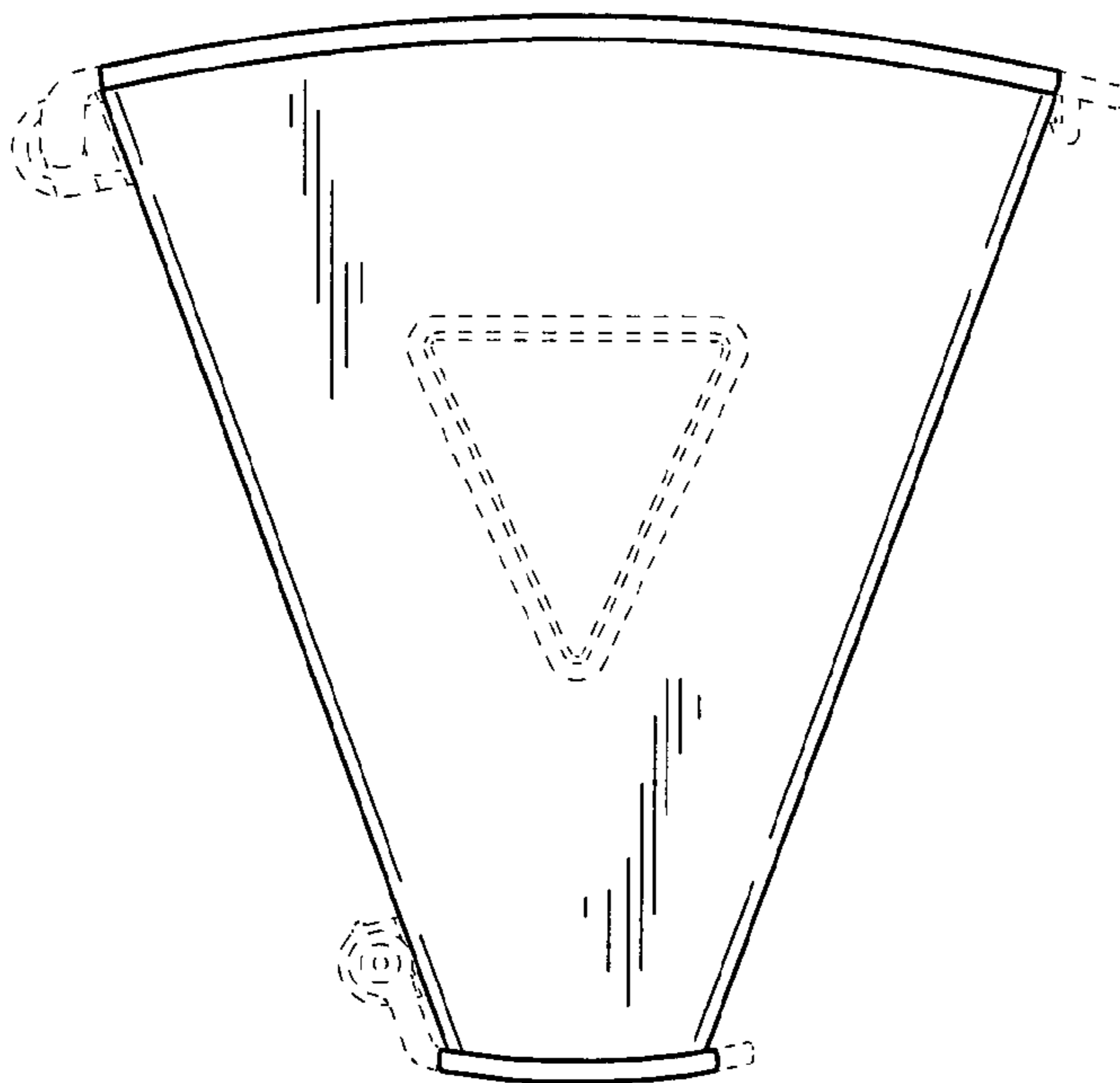


FIG. 5

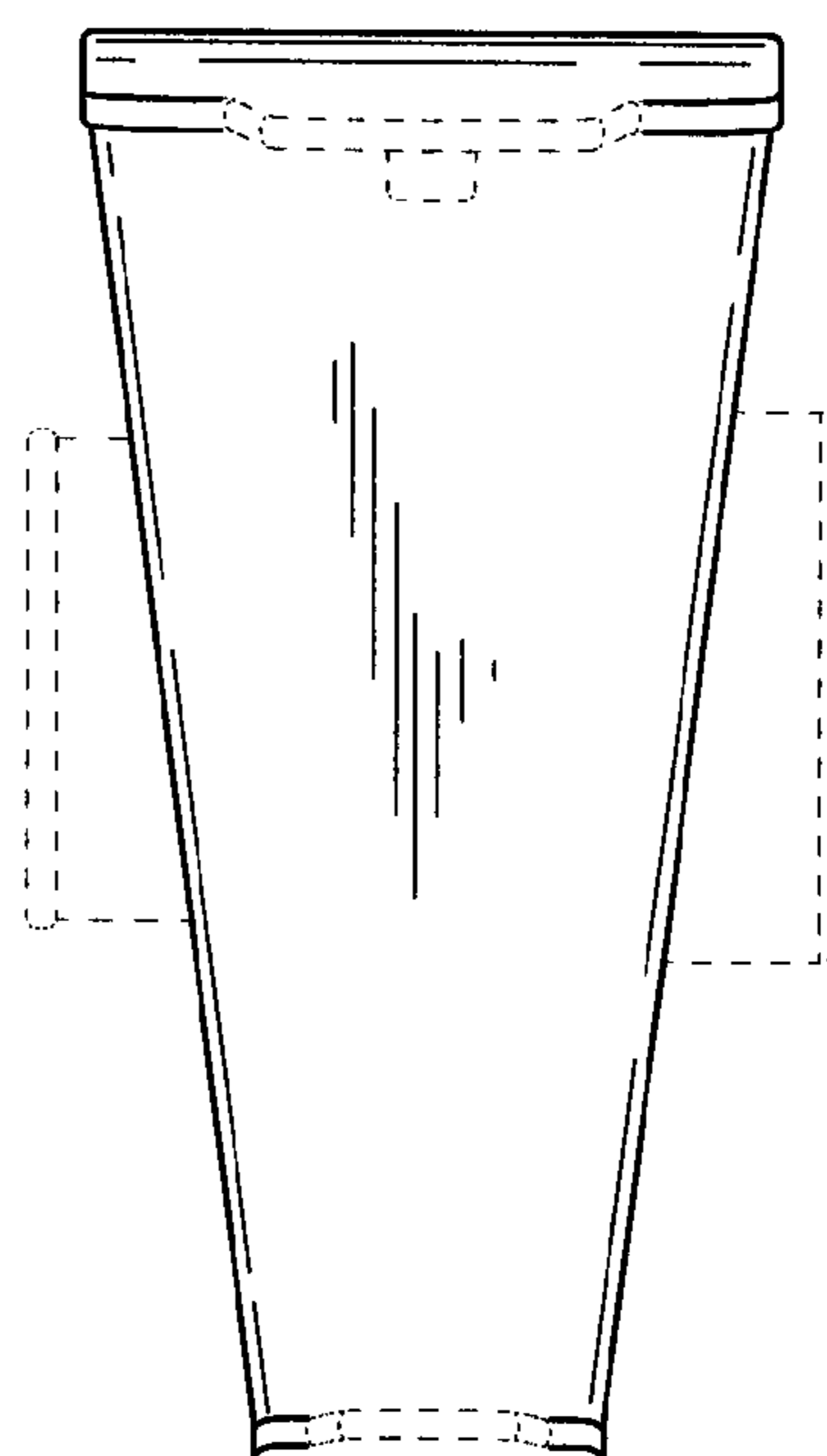


FIG. 7

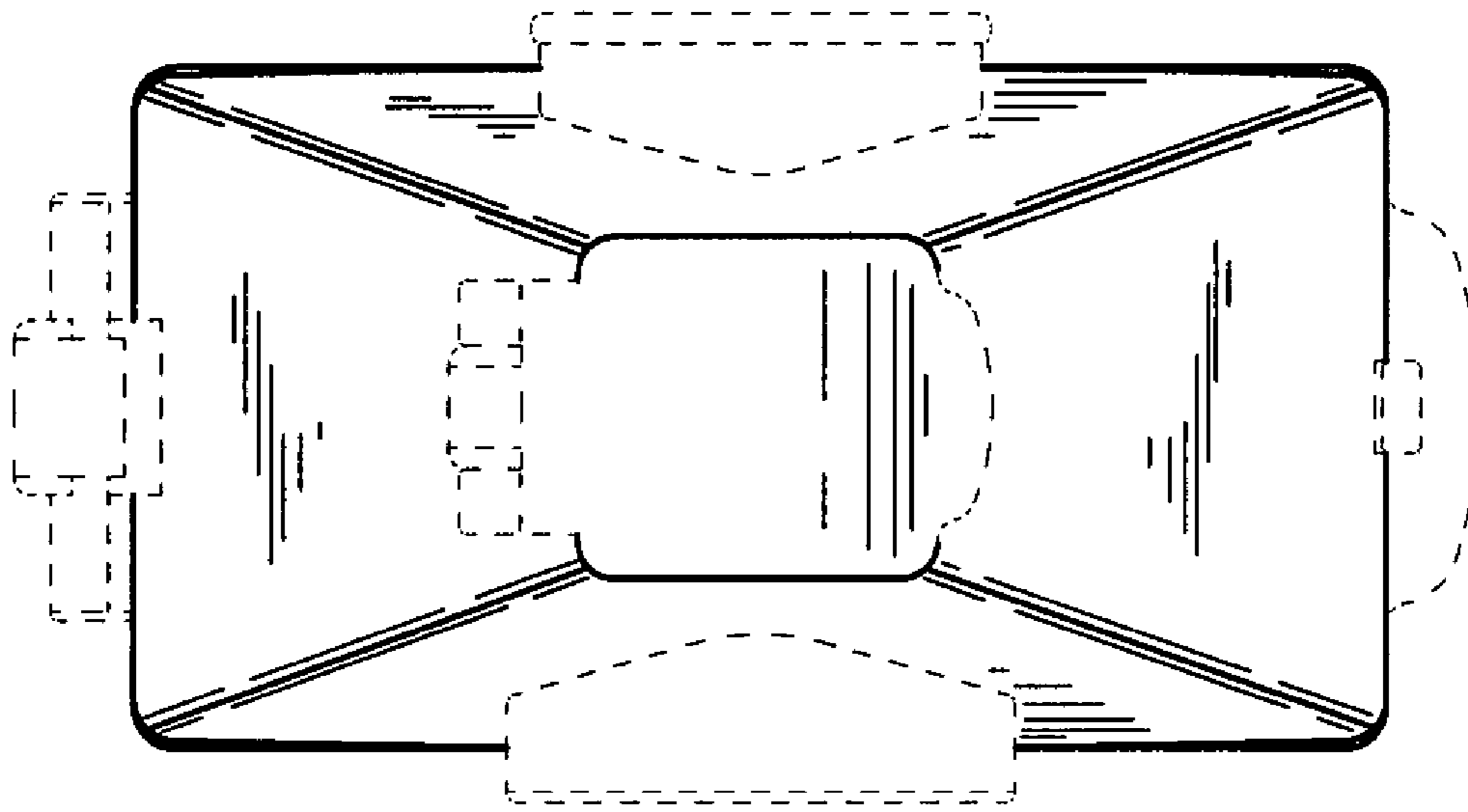


FIG. 8

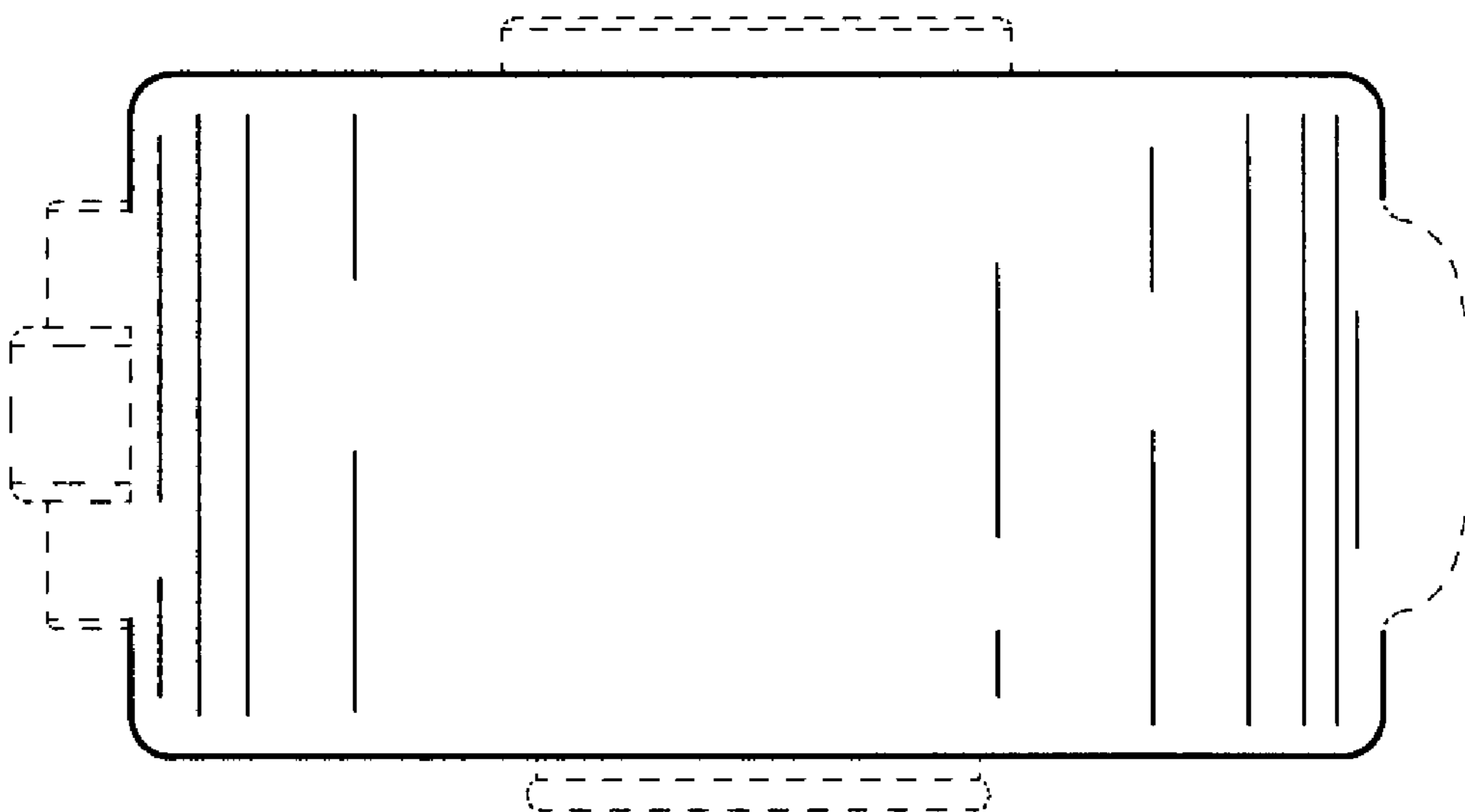


FIG. 9