



US00D568603S

(12) **United States Design Patent**
Smith et al.

(10) **Patent No.: US D568,603 S**

(45) **Date of Patent: ** May 13, 2008**

(54) **UMBRELLA BASE**

D485,055 S * 1/2004 Taylor D3/10
D516,297 S * 3/2006 Smith et al. D3/10

(76) Inventors: **James C. Smith**, 336 Harder Rd.,
Hayward, CA (US) 94544; **David J. Taylor**, 129 Sugar Creek La., Alamo,
CA (US) 94507

* cited by examiner

Primary Examiner—Louis S. Zarfes

Assistant Examiner—Anhdao Doan

(74) *Attorney, Agent, or Firm*—Donald L. Beeson; Beeson
Skinner Beverly, LLP

(**) Term: **14 Years**

(21) Appl. No.: **29/271,231**

(57) **CLAIM**

(22) Filed: **Jan. 12, 2007**

The ornamental design for an umbrella base, as shown and
described.

(51) **LOC (8) Cl.** **03-03**

(52) **U.S. Cl.** **D3/10**

(58) **Field of Classification Search** D3/5-17;
135/15.1, 20.1, 20.2, 15, 16, 44, 98, 99; D6/495;
248/519, 523; 40/607.1

See application file for complete search history.

DESCRIPTION

FIG. 1 is a top perspective view of an umbrella base showing
our new design;

FIG. 2 is a left side elevational view thereof, the right side
and front and rear being a mirror image; and,

FIG. 3 is a top plan view thereof.

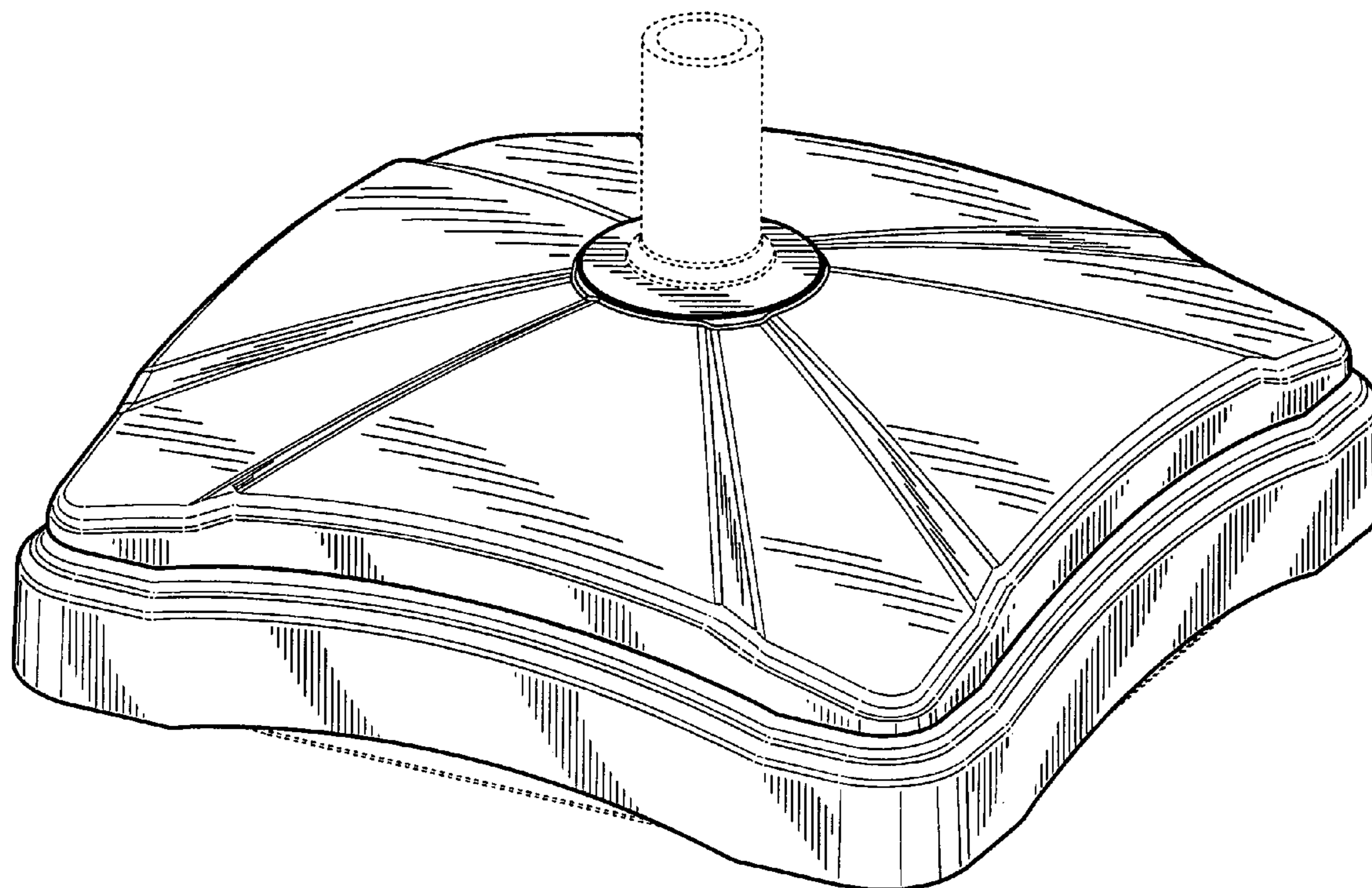
The broken lines shown in FIGS. 1-3 are for illustrative
purposes only, and form no part of our claimed design. The
bottom of the umbrella base is unornamented and forms no
part of our design.

(56) **References Cited**

U.S. PATENT DOCUMENTS

5,354,031 A	10/1994	Bilotti	
D411,653 S *	6/1999	Richey et al.	D3/10
6,113,054 A	9/2000	Ma	
6,367,494 B1	4/2002	Tung	
6,511,033 B2	1/2003	Li	
D470,305 S *	2/2003	Clarke	D3/10

1 Claim, 3 Drawing Sheets



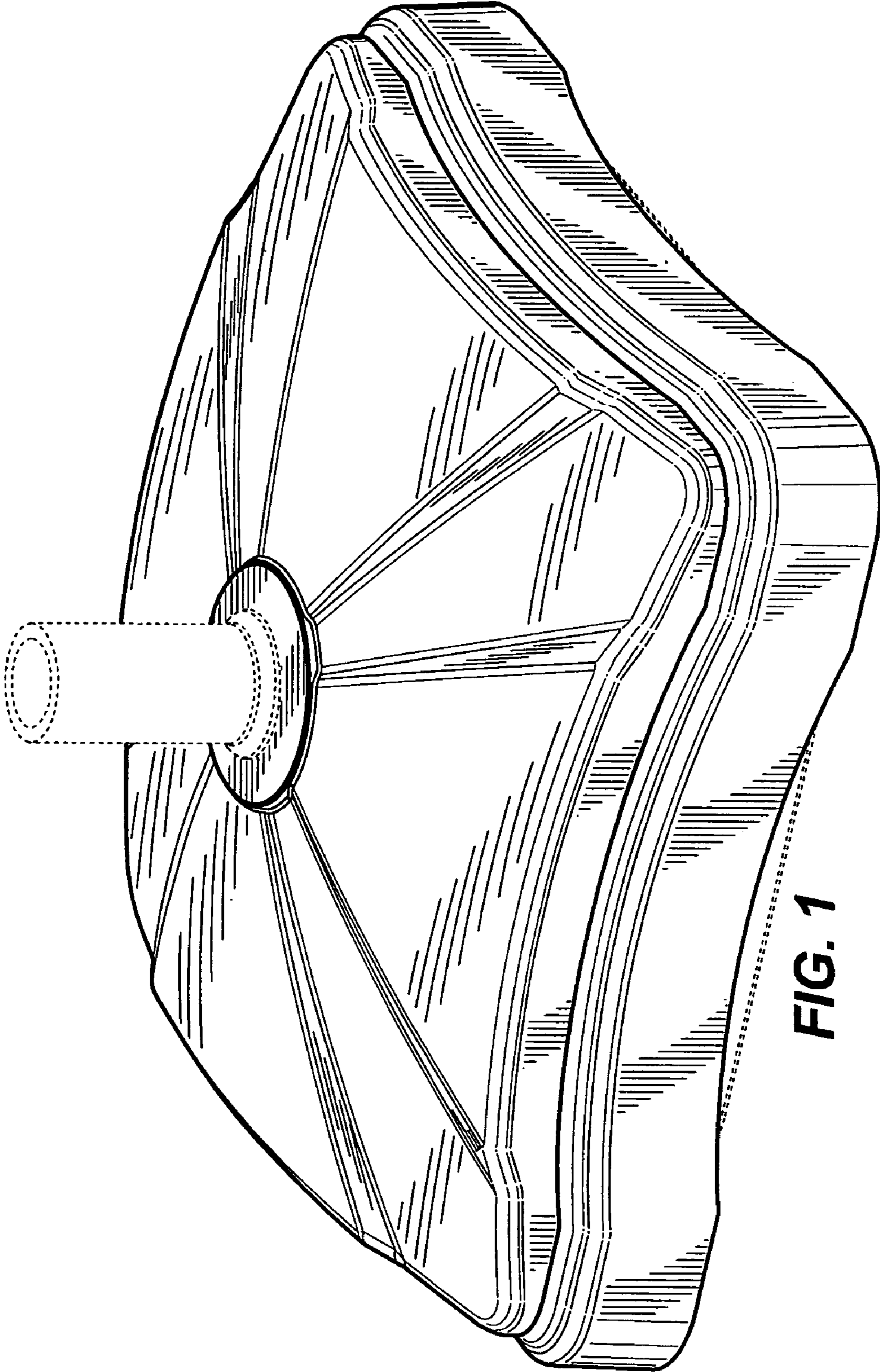


FIG. 1

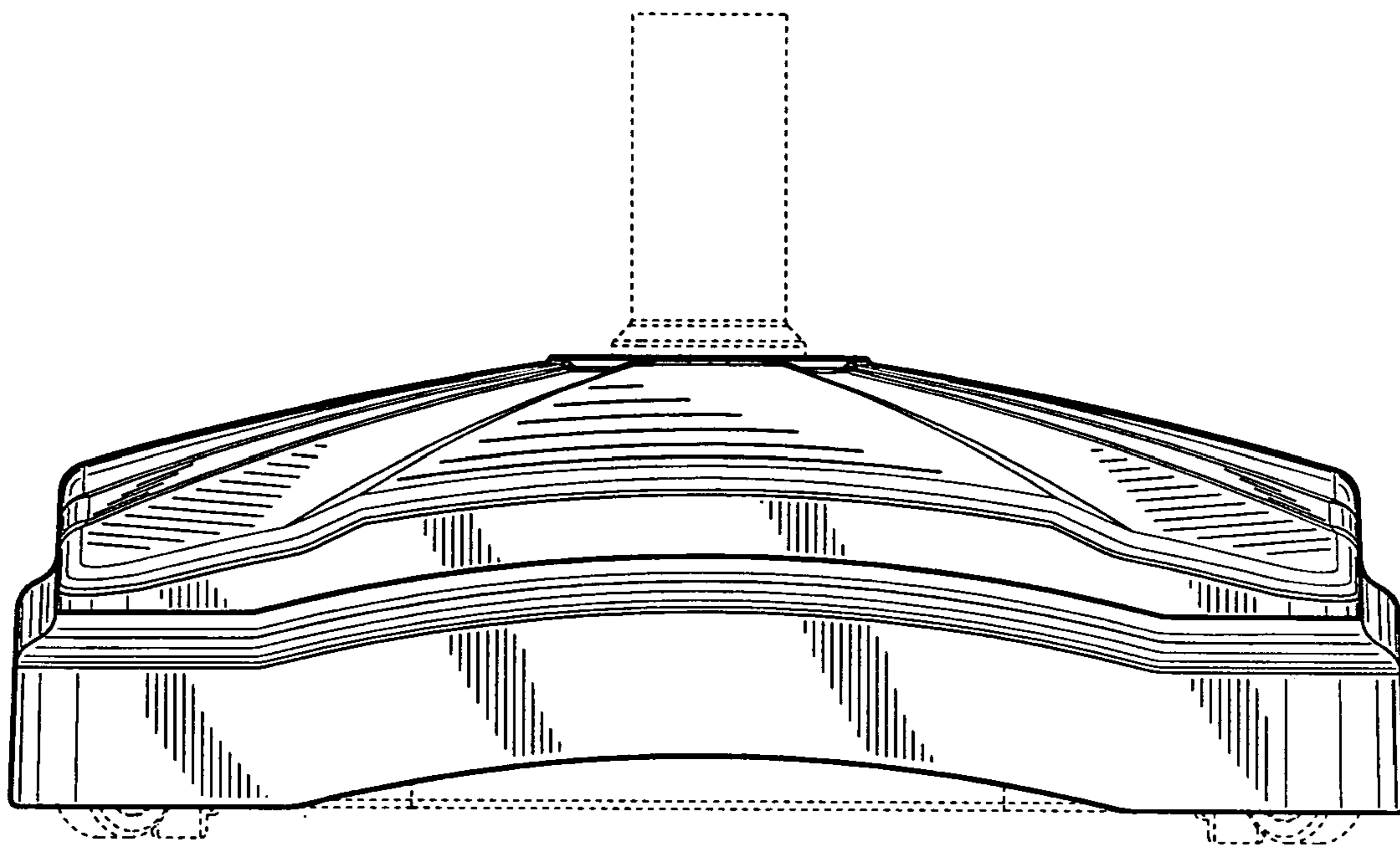


FIG. 2

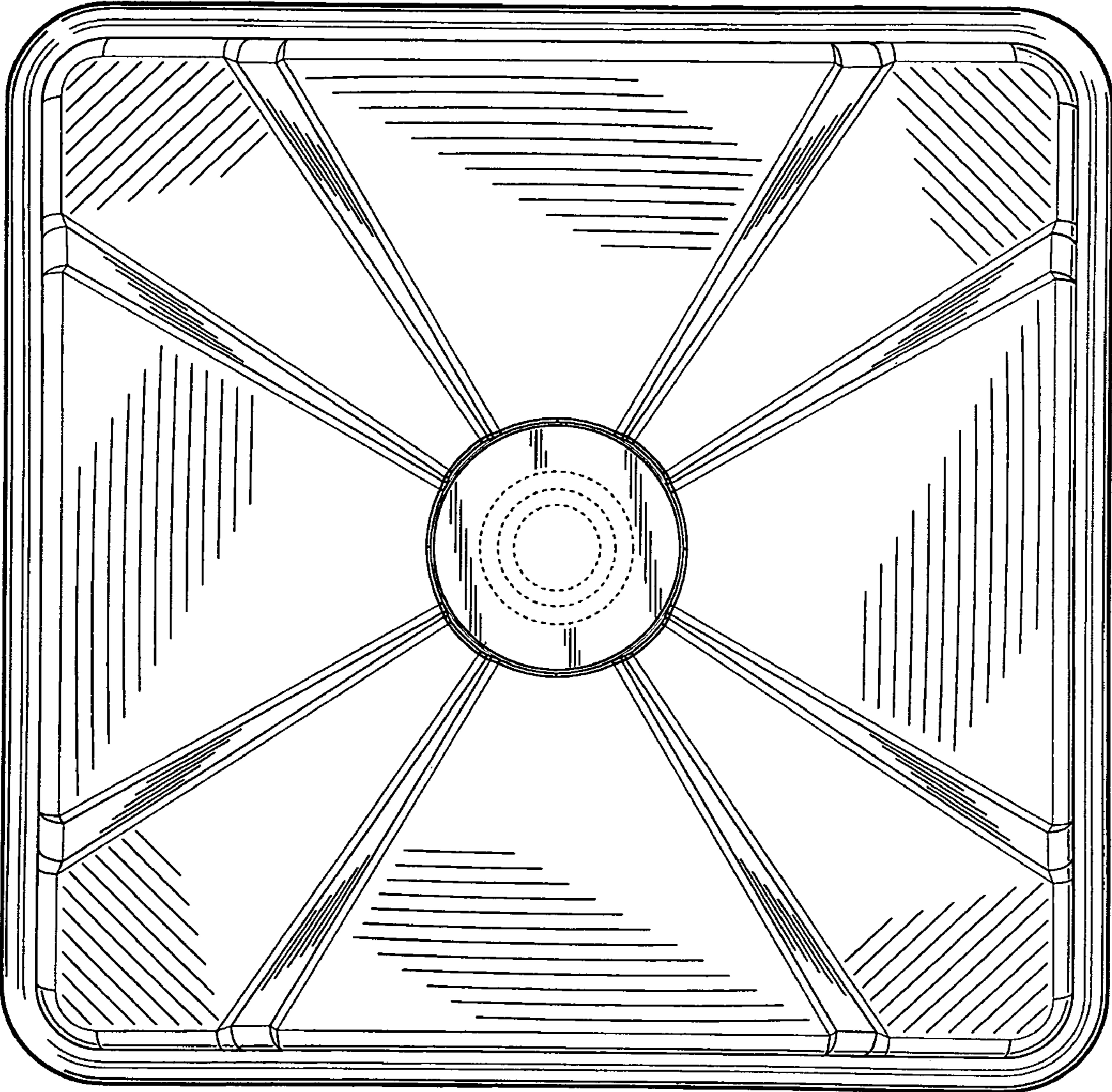


FIG. 3