



US00D568575S

(12) **United States Design Patent**
Walstrom et al.

(10) **Patent No.: US D568,575 S**

(45) **Date of Patent: ** May 6, 2008**

(54) **DUAL WHEEL CASTER FOR JACK ASSEMBLY**

D340,340 S * 10/1993 Allen D34/28
D348,340 S * 6/1994 Collins et al. D34/31
D358,920 S * 5/1995 Peterman D34/24

(75) Inventors: **Todd Walstrom**, Weston, WI (US);
Eric Anderson, Plover, WI (US); **Russ Beck**,
Wausau, WI (US); **Joseph J. Peschmann**,
Plover, WI (US); **Kash Okerlund**, Wittenberg,
WI (US)

* cited by examiner

Primary Examiner—Cynthia E Ramirez

(74) *Attorney, Agent, or Firm*—McDonald Hopkins LLC;
Robert H. Earp, III; Risto Pribisich

(73) Assignee: **Cequent Trailer Products Inc.**,
Mosinee, WI (US)

(57) **CLAIM**

(**) Term: **14 Years**

The ornamental design for a dual wheel caster for a jack assembly, as shown and described.

(21) Appl. No.: **29/289,345**

DESCRIPTION

(22) Filed: **Jul. 17, 2007**

(51) **LOC (8) Cl.** **12-05**

(52) **U.S. Cl.** **D34/35; D34/31**

(58) **Field of Classification Search** D34/31,
D34/33, 35; 254/97, 418; 280/47.131; 114/344;
D12/317

See application file for complete search history.

FIG. 1 is a top, left and front perspective view of a dual wheel caster for a jack assembly showing my new design.

FIG. 2 is a perspective view of the dual wheel caster as seen from the top, left, and front sides thereof;

FIG. 3 is a front side view thereof;

FIG. 4 is a back side view thereof;

FIG. 5 is a left side view thereof;

FIG. 6 is a right side view thereof;

FIG. 7 is a top side view thereof; and,

FIG. 8 is a bottom side view thereof.

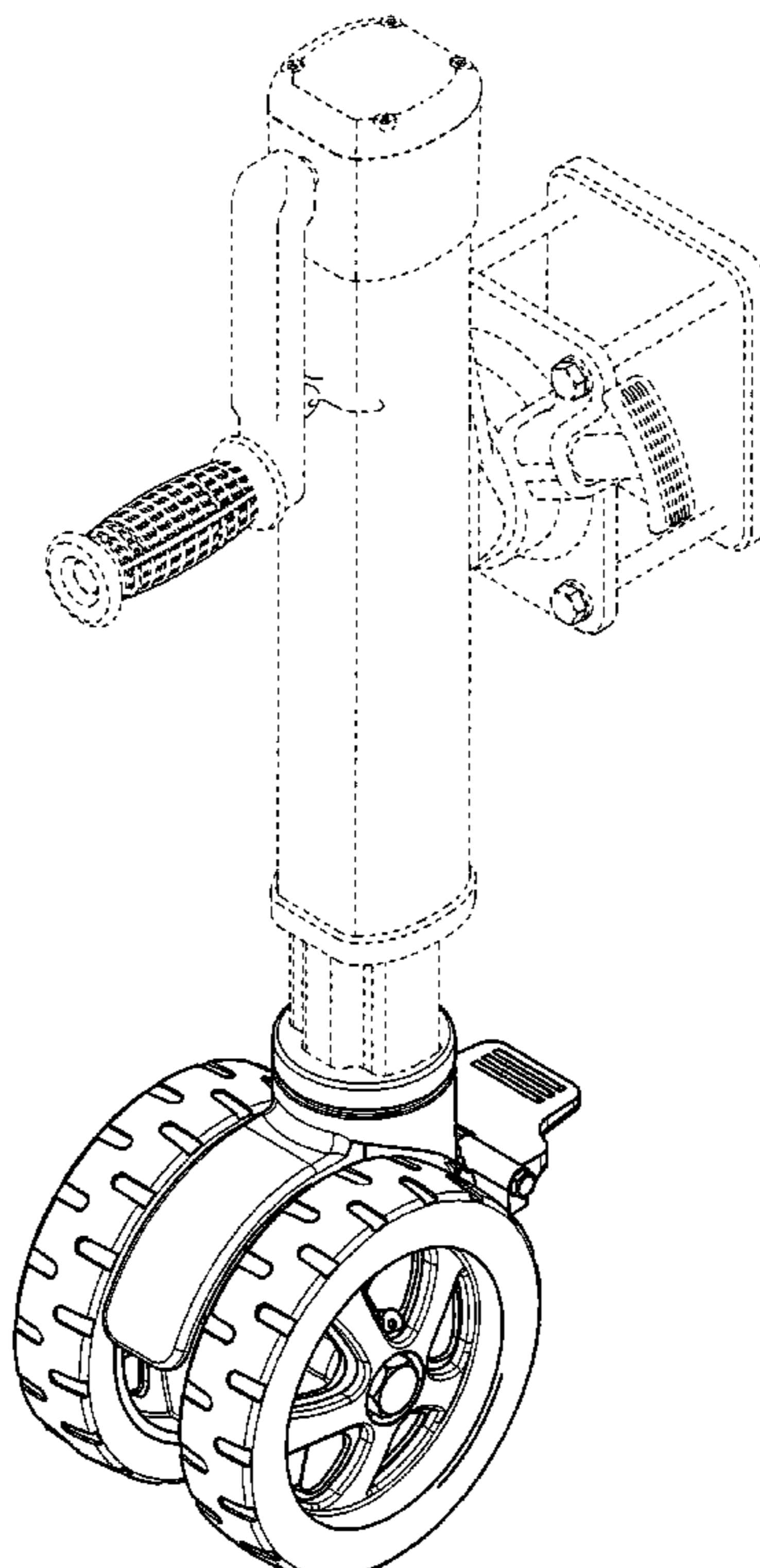
The broken line showing in FIGS. 1, 2 and 7 is included for the purpose of illustrating environment and forms no part of the claimed design.

(56) **References Cited**

U.S. PATENT DOCUMENTS

2,227,725 A * 1/1941 Laddon 280/47.131
2,233,135 A * 2/1941 Ketel 254/419
D212,800 S * 11/1968 Kimball D34/28
3,934,852 A * 1/1976 Weber et al. 254/420
4,702,458 A * 10/1987 Kendrick 254/97
D318,355 S * 7/1991 Salvesen D34/12
D334,268 S * 3/1993 Hayes D34/28

1 Claim, 4 Drawing Sheets



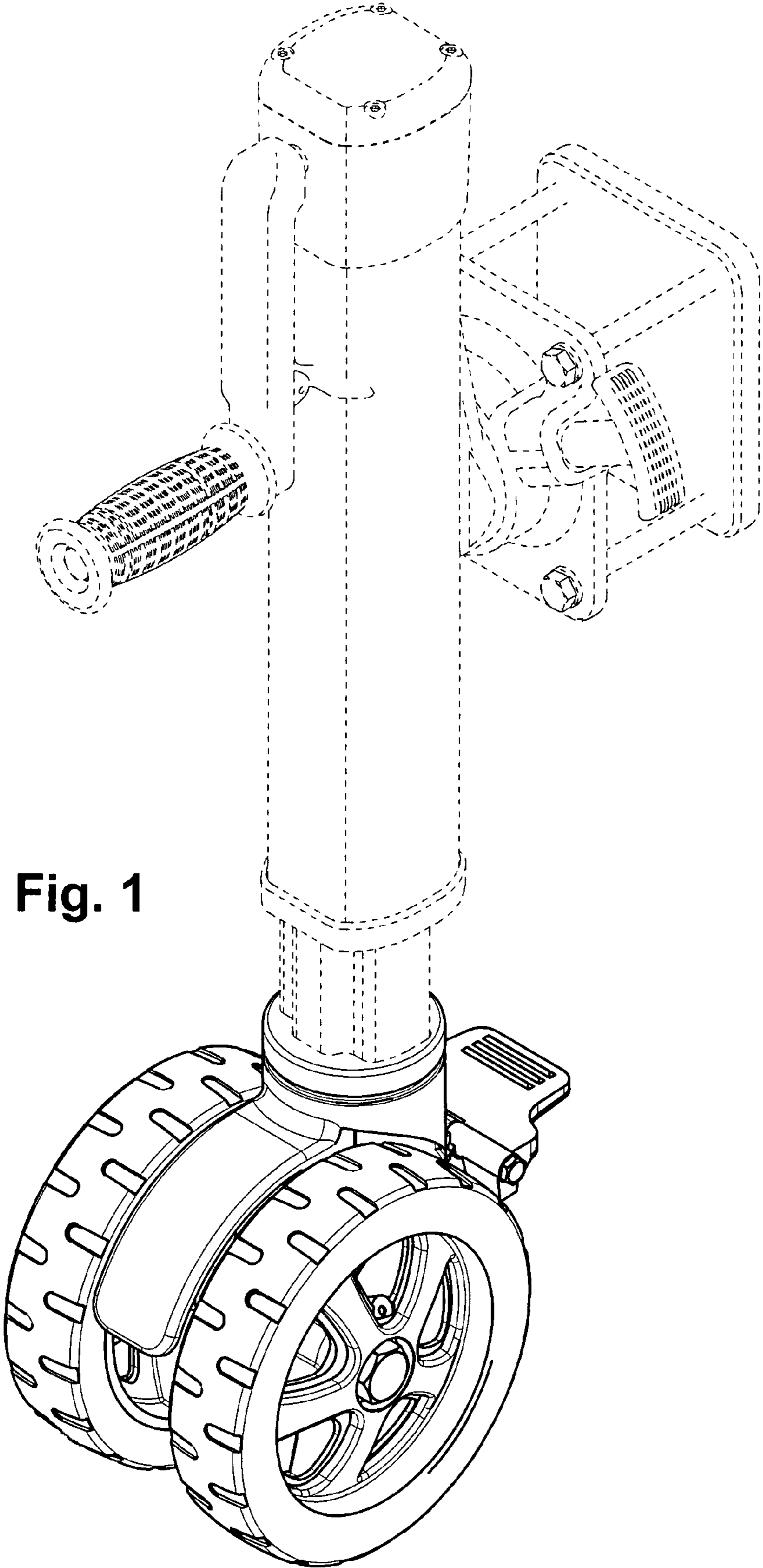


Fig. 1

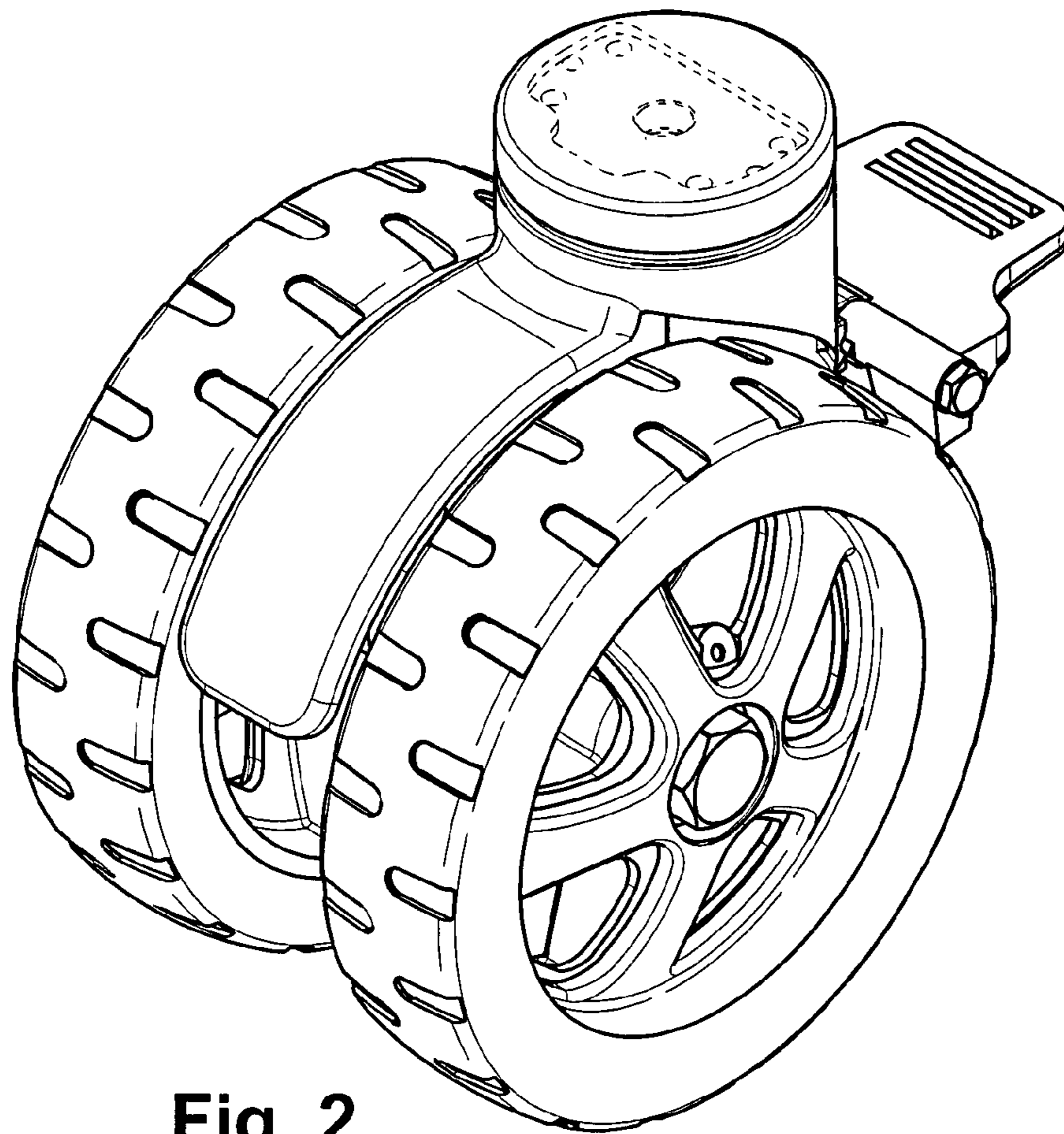


Fig. 2

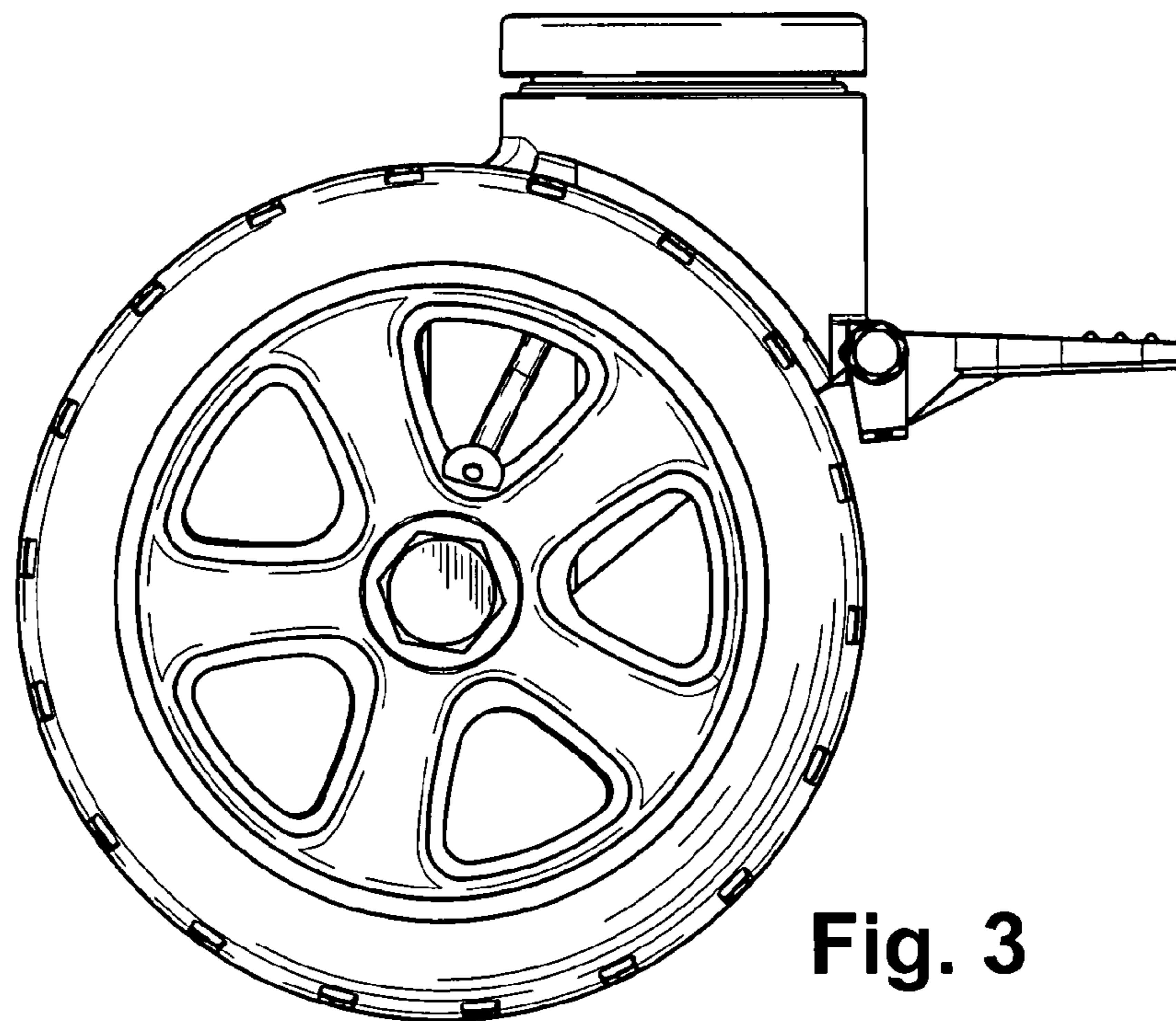


Fig. 3

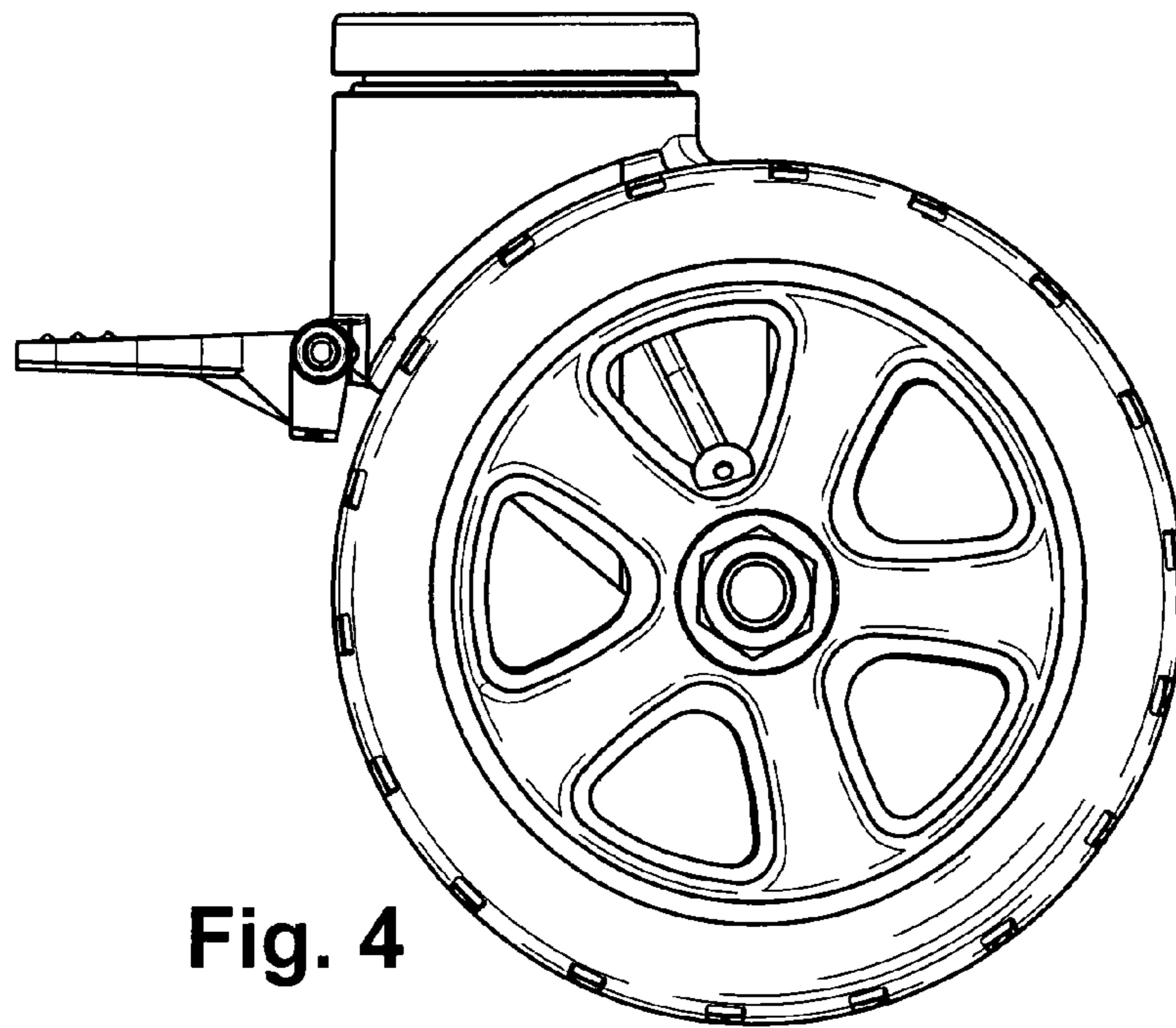


Fig. 4

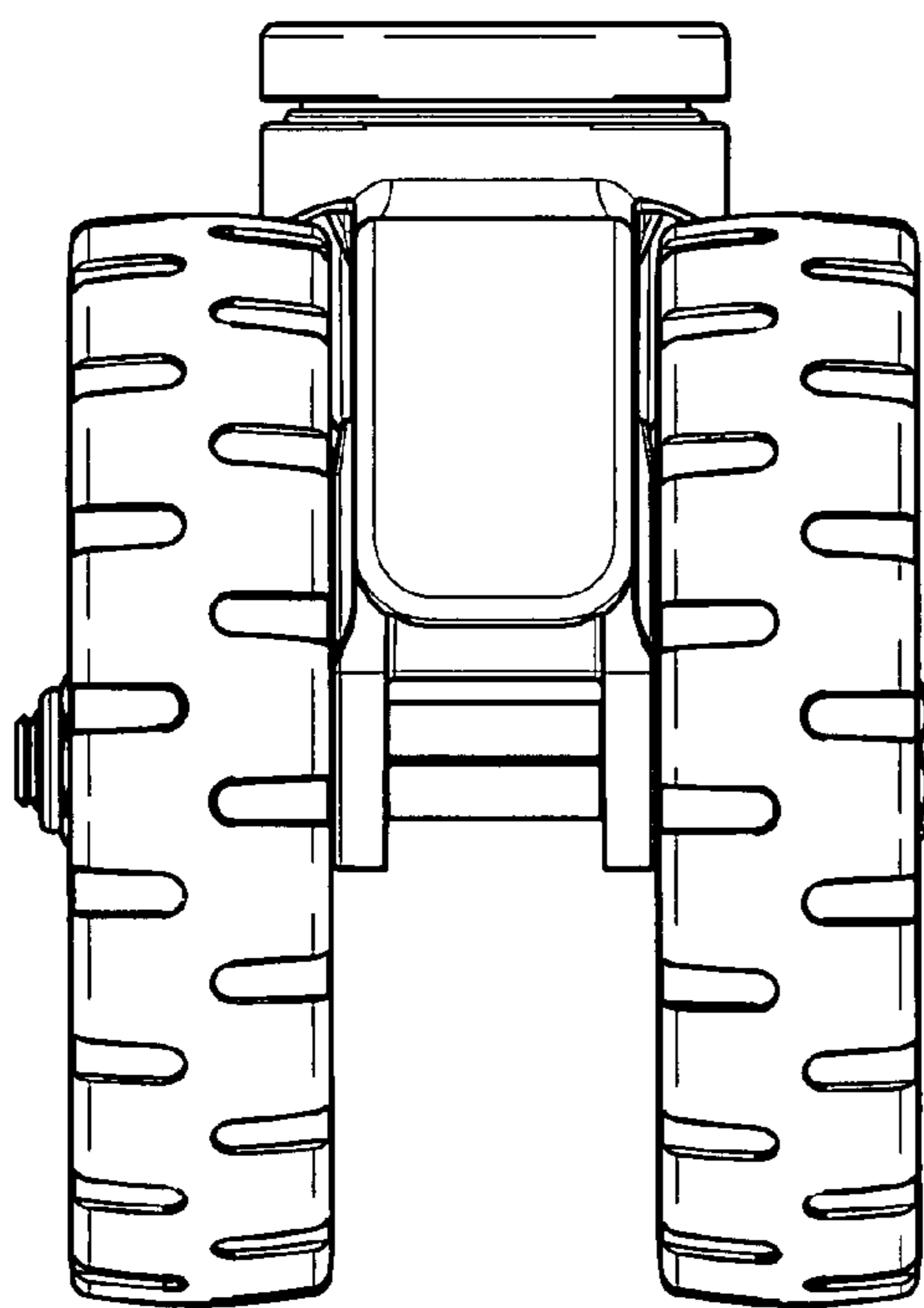


Fig. 5

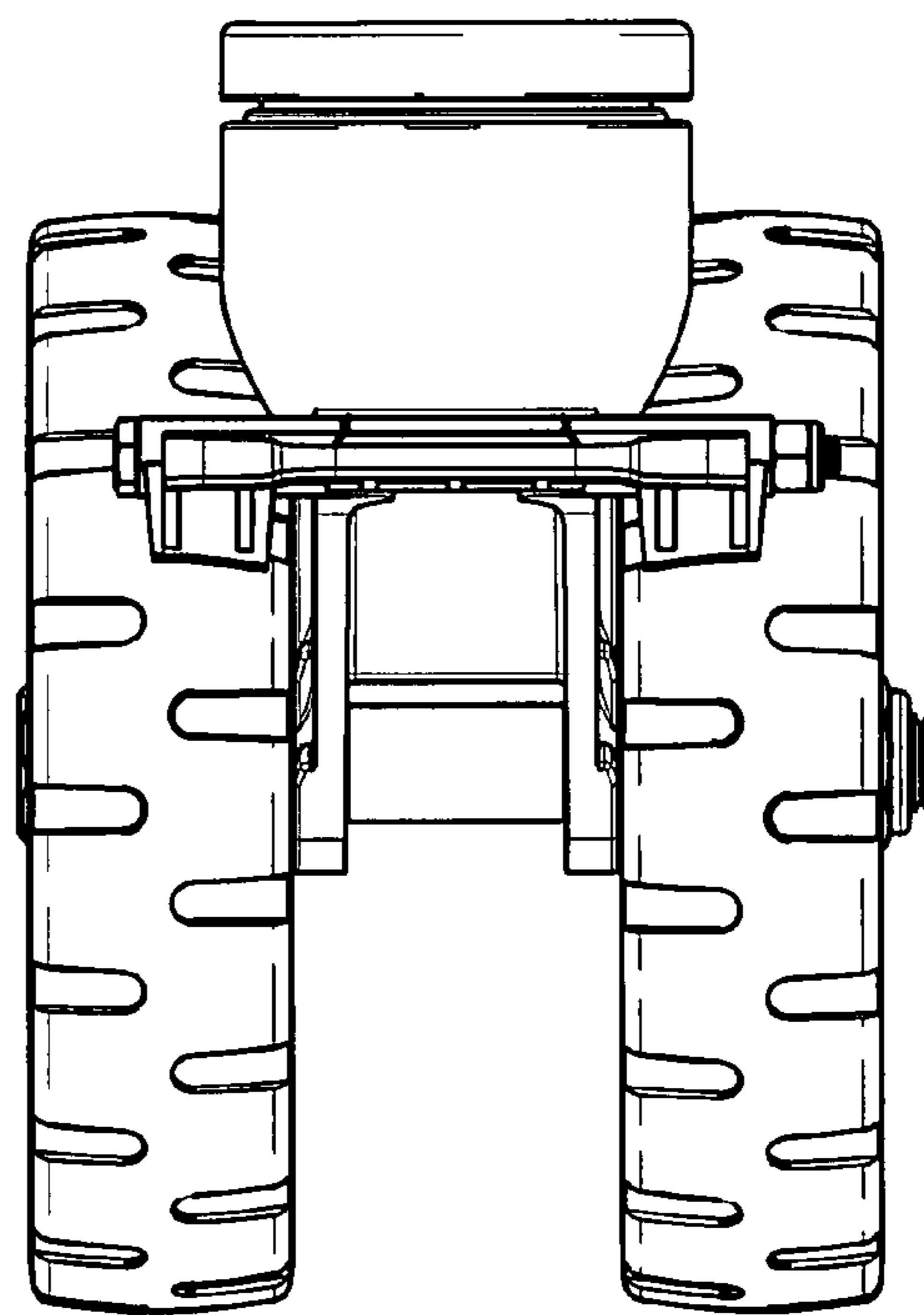


Fig. 6

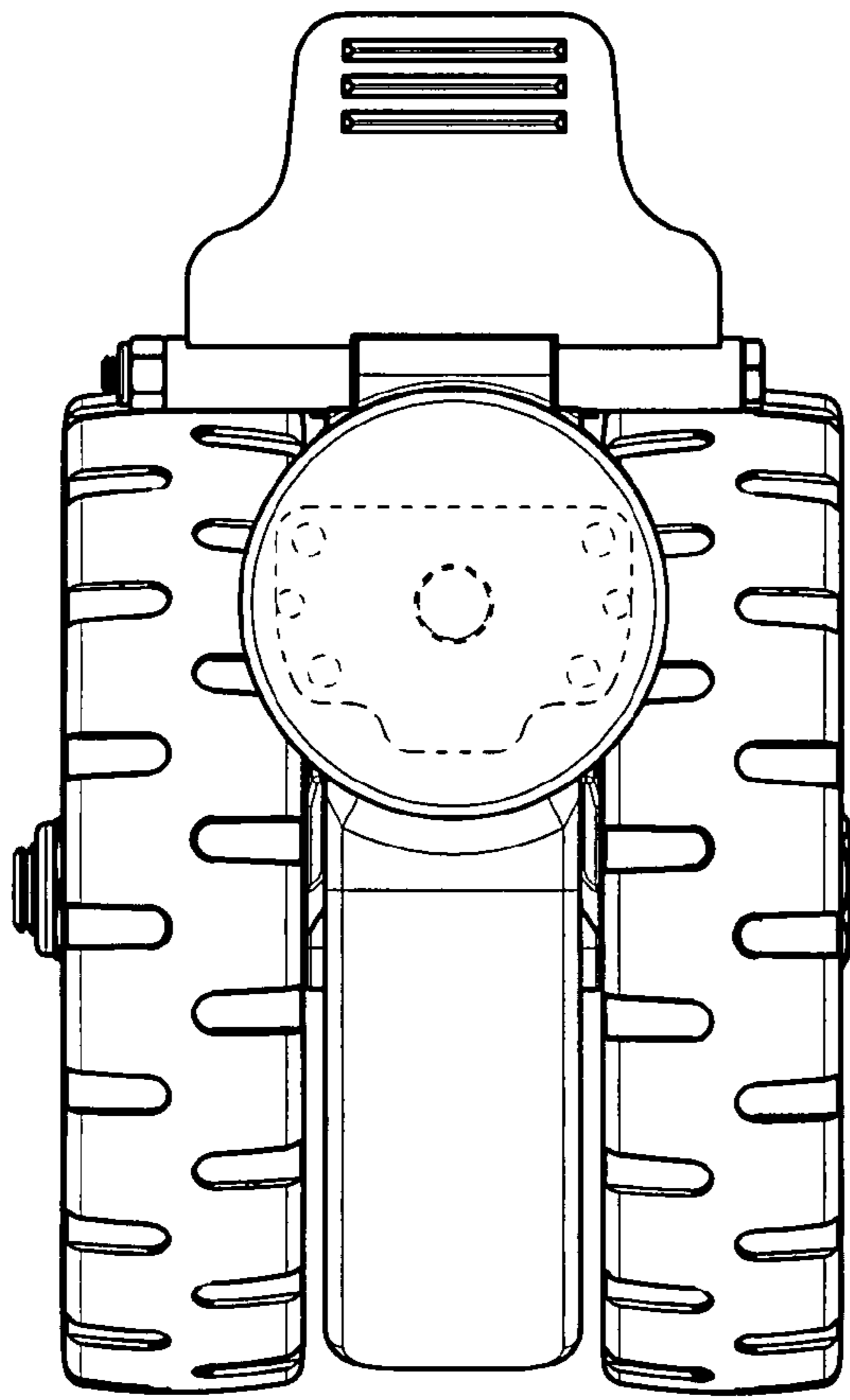


Fig. 7

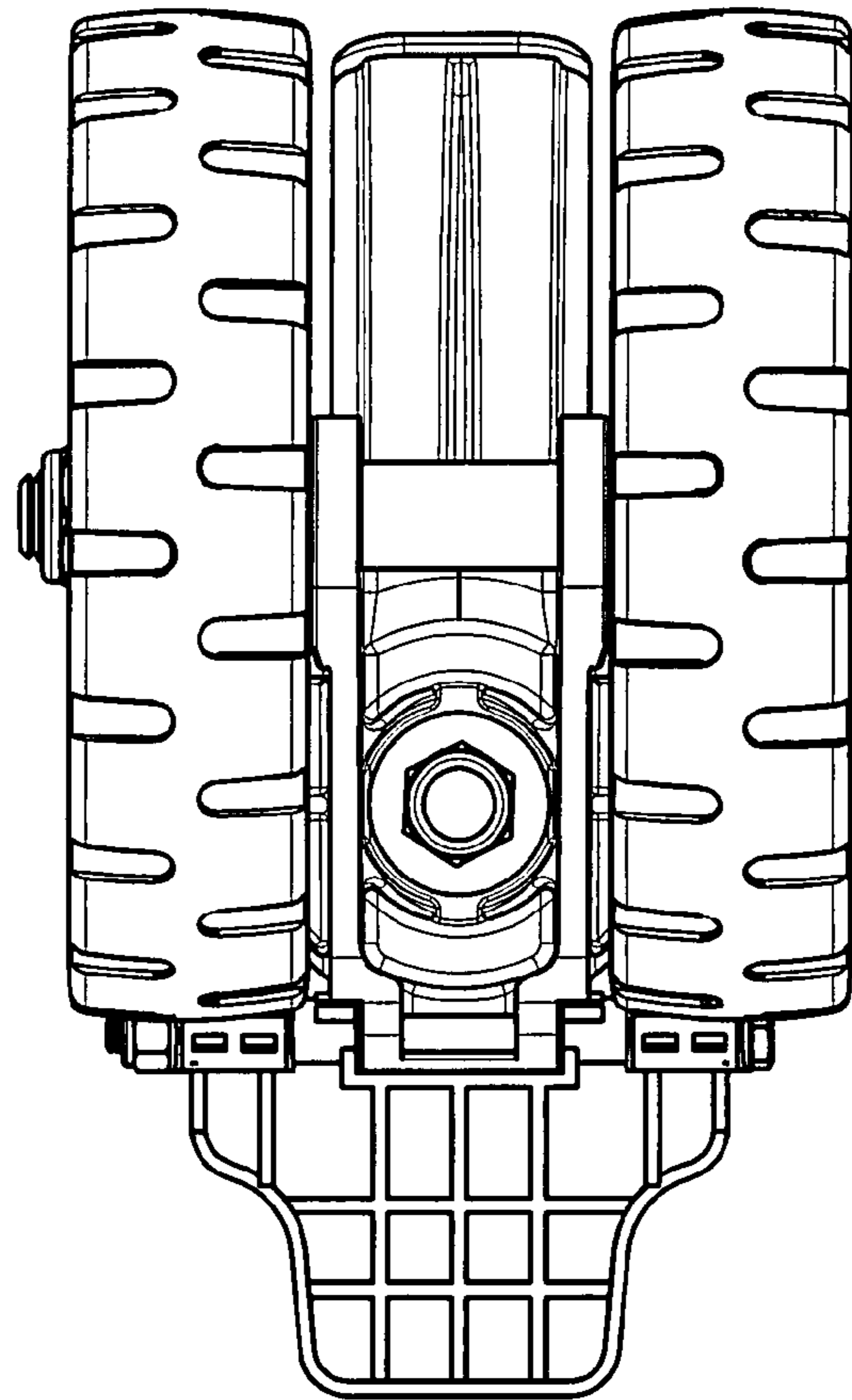


Fig. 8