

US00D568574S

(12) **United States Design Patent**
Kato et al.

(10) **Patent No.:** **US D568,574 S**

(45) **Date of Patent:** **** May 6, 2008**

(54) **GATE FOR AN AUTOMATED WAREHOUSING SYSTEM**

(75) Inventors: **Naoto Kato**, Kariya (JP); **Hiroshi Ito**, Kariya (JP)

(73) Assignee: **Kabushiki Kaisha Toyota Jidoshokki**, Kariya-shi (JP)

(**) Term: **14 Years**

(21) Appl. No.: **29/273,249**

(22) Filed: **Feb. 27, 2007**

(30) **Foreign Application Priority Data**

Sep. 1, 2006 (JP) 2006-023492

(51) **LOC (8) Cl.** **12-05**

(52) **U.S. Cl.** **D34/35**

(58) **Field of Classification Search** D34/28, D34/35; 254/DIG. 9; 414/495, 454, 459, 414/460, 786, 273; 212/324, 326, 327
See application file for complete search history.

(56) **References Cited**

U.S. PATENT DOCUMENTS

- 3,568,861 A * 3/1971 Atwater et al. 414/273
- 3,767,072 A * 10/1973 Atwater 414/281
- 4,232,370 A * 11/1980 Tapley 700/214
- D265,648 S * 8/1982 Fukushima et al. D14/247
- 4,783,740 A * 11/1988 Ishizawa et al. 705/28

- 4,915,576 A * 4/1990 Lanigan et al. 414/809
- 4,967,130 A * 10/1990 Sorensen et al. 318/652
- 5,141,380 A 8/1992 Kato et al.
- 5,141,381 A * 8/1992 Kato et al. 414/273
- 5,327,354 A * 7/1994 Tsujimoto 700/226
- D382,569 S * 8/1997 Esposito D15/28
- D434,425 S * 11/2000 Rossow et al. D15/28
- D439,257 S * 3/2001 Rossow et al. D15/28
- D542,504 S * 5/2007 Yanagida et al. D34/35

* cited by examiner

Primary Examiner—Cynthia E Ramirez

(74) *Attorney, Agent, or Firm*—Morgan & Finnegan, L.L.P.

(57) **CLAIM**

The ornamental design for a gate for an automated warehousing system, as shown and described.

DESCRIPTION

FIG. 1 is a front perspective view of our design for a gate for an automated warehousing system;
 FIG. 2 is a rear perspective view thereof;
 FIG. 3 is a front view thereof;
 FIG. 4 is a rear view thereof;
 FIG. 5 is a top plan view thereof;
 FIG. 6 is a bottom plan view thereof;
 FIG. 7 is a right side elevational view thereof; and,
 FIG. 8 is a left side elevational view thereof.

1 Claim, 6 Drawing Sheets

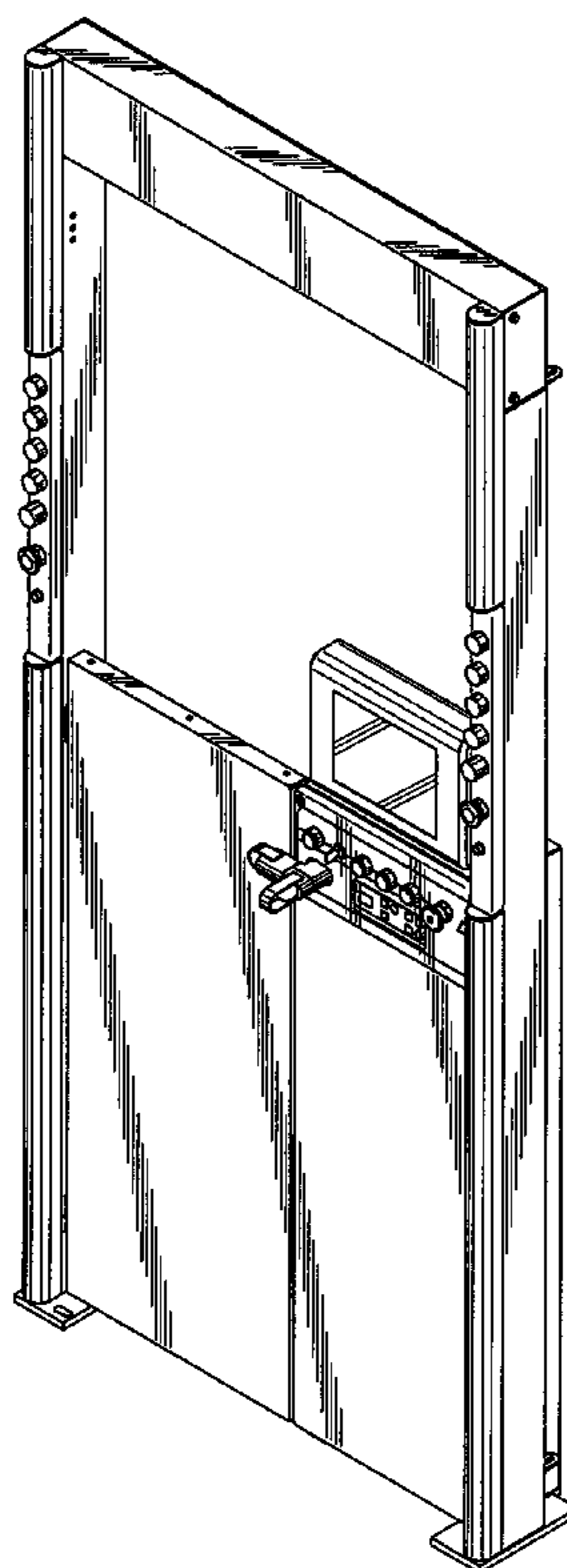


FIG. 1

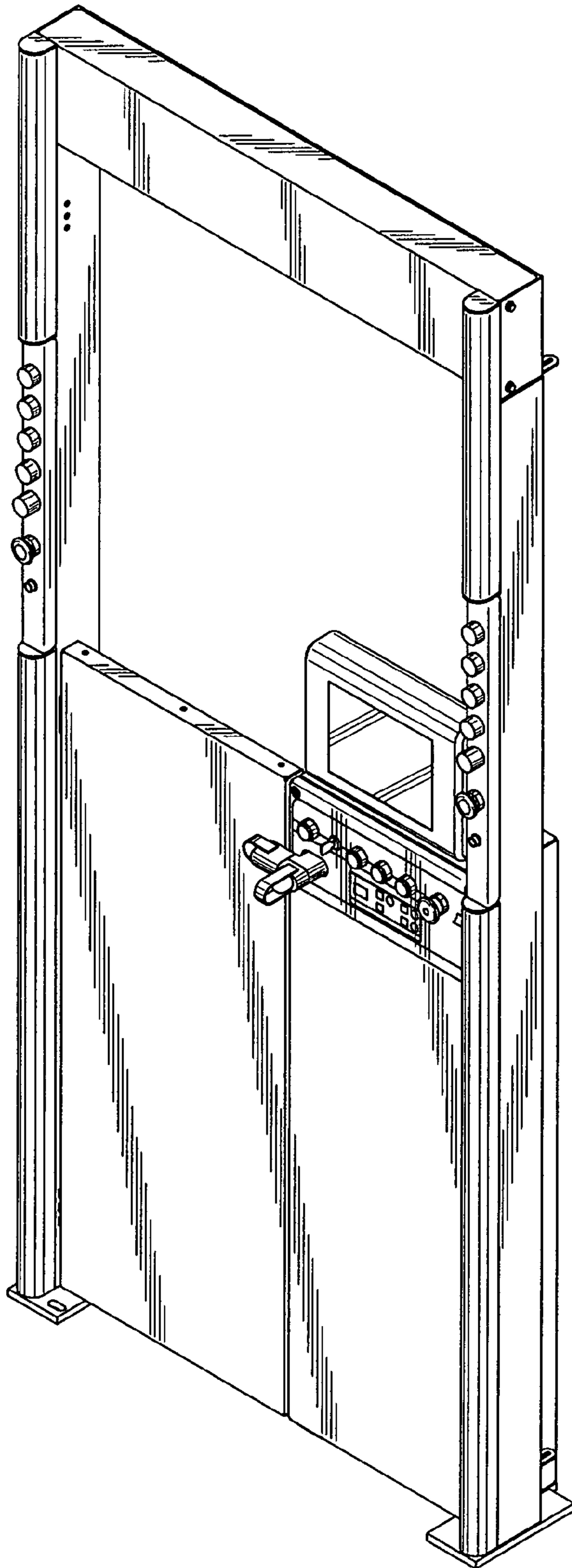


FIG. 2

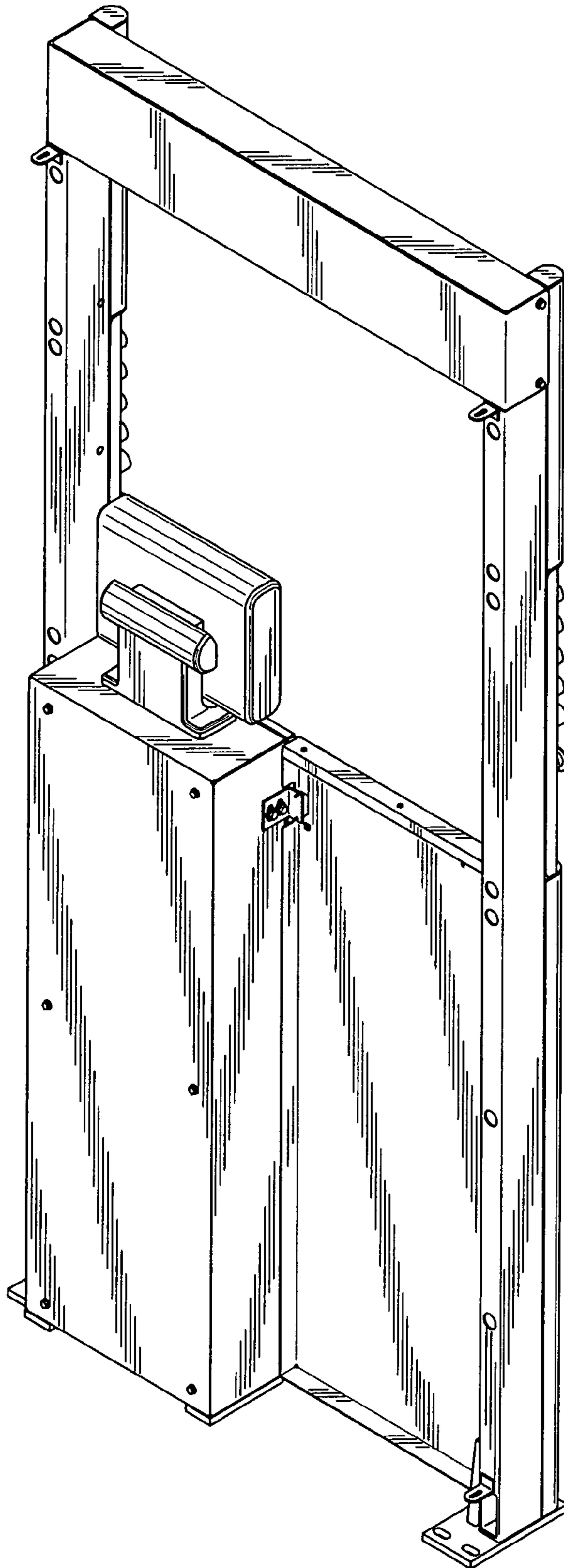


FIG. 3

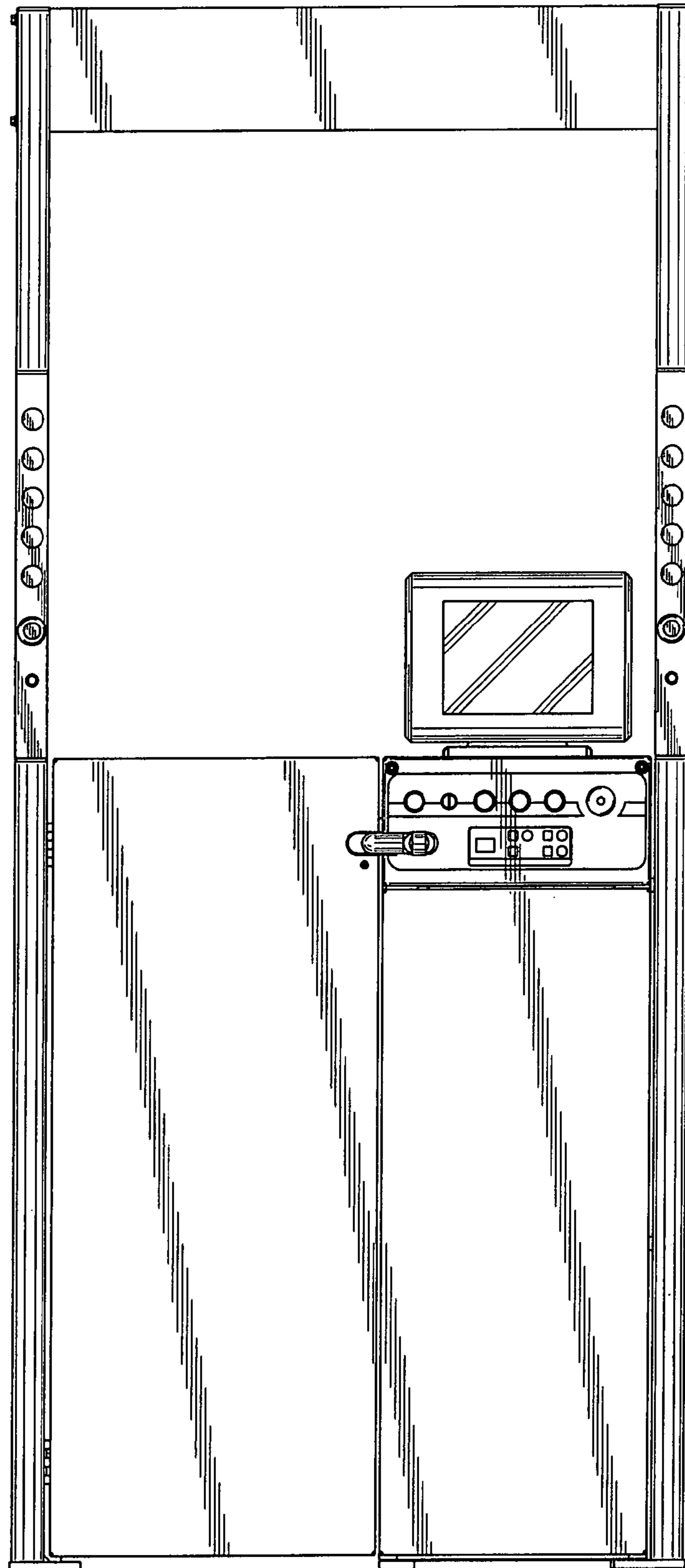


FIG. 4

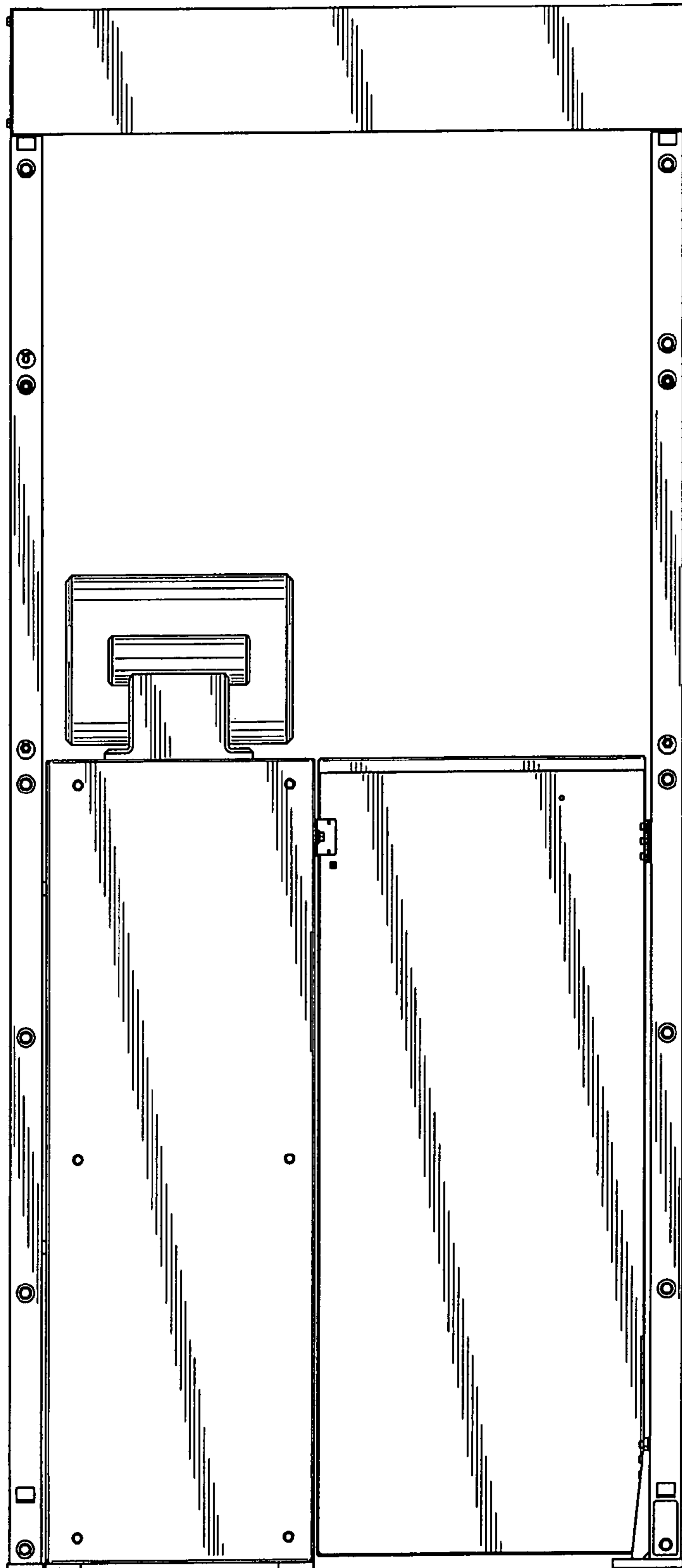


FIG. 5

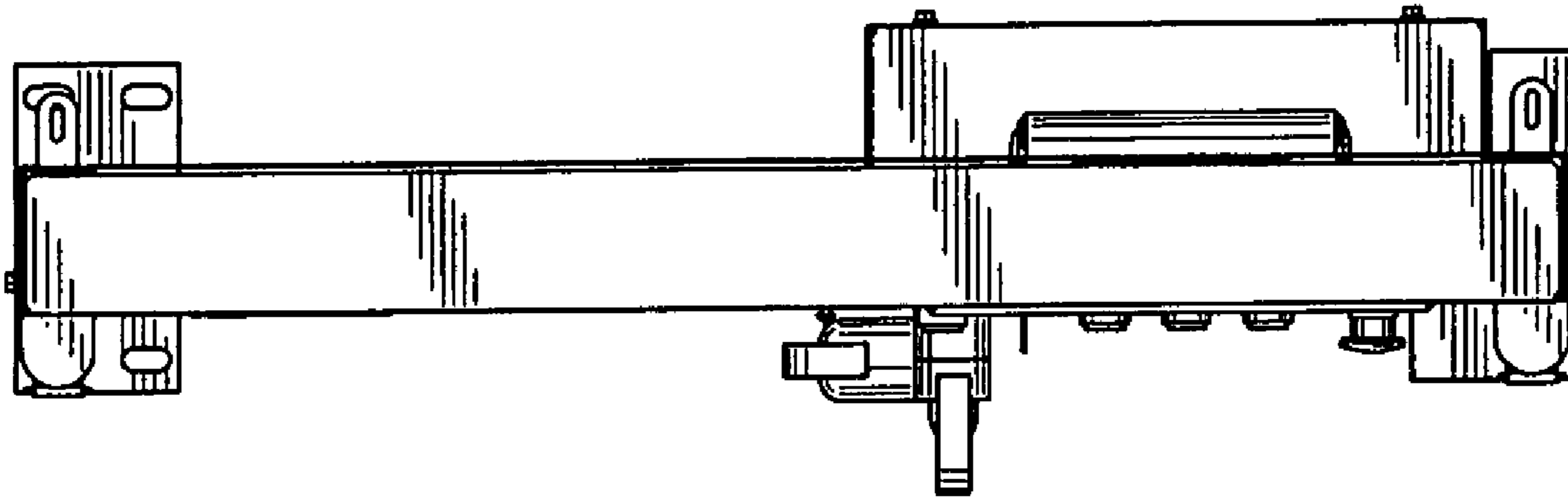


FIG. 6

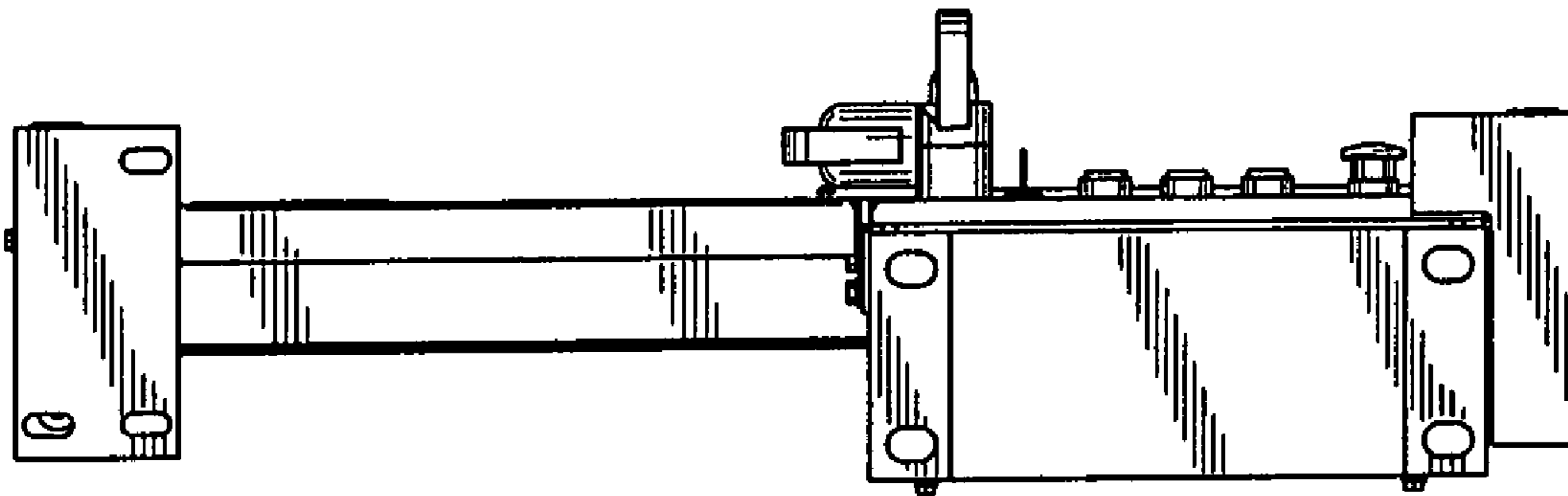


FIG. 7

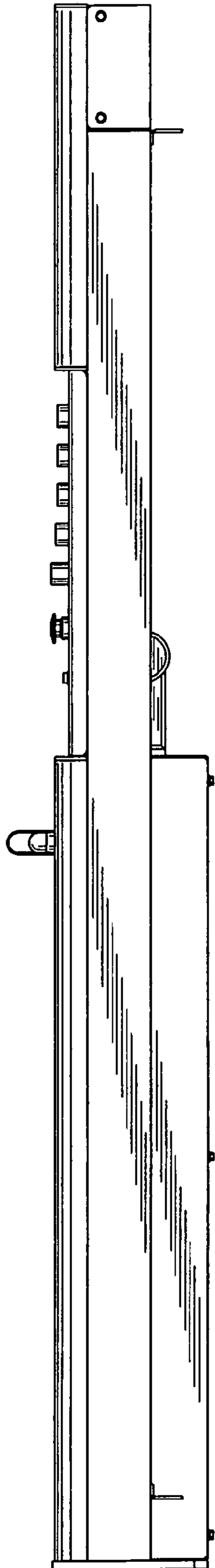


FIG. 8

