

US00D568568S

(12) **United States Design Patent** (10) **Patent No.:** **US D568,568 S**  
**Wood** (45) **Date of Patent:** **\*\* May 6, 2008**

(54) **REFUSE RECEPTACLE**

(75) Inventor: **Nicholas Berndt Wood**, Sheffield (GB)

(73) Assignee: **Econix Limited**, Sheffield (GB)

(\*\*) Term: **14 Years**

(21) Appl. No.: **29/286,208**

(22) Filed: **Apr. 27, 2007**

(30) **Foreign Application Priority Data**

Oct. 27, 2006 (EM) ..... 000613070-0002

(51) **LOC (8) Cl.** ..... **09-09**

(52) **U.S. Cl.** ..... **D34/1**

(58) **Field of Classification Search** ..... D34/1-11;  
220/908-913, 476, 477; 312/242

See application file for complete search history.

(56) **References Cited**

**U.S. PATENT DOCUMENTS**

D154,408 S \* 7/1949 McGraw ..... D34/1  
D228,059 S \* 8/1973 Woofter ..... D34/1  
D324,122 S \* 2/1992 Brussing ..... D34/10

\* cited by examiner

*Primary Examiner*—Cynthia E Ramirez

(74) *Attorney, Agent, or Firm*—James Creighton Wray;  
Clifford D. Hyra

(57) **CLAIM**

The ornamental design for a refuse receptacle, as shown and described.

**DESCRIPTION**

FIG. 1, is a front, left side and top perspective view of the refuse receptacle.

FIG. 2 is a top view of the refuse receptacle shown in FIG. 1.

FIG. 3 is a bottom view of the refuse receptacle shown in FIGS. 1 and 2.

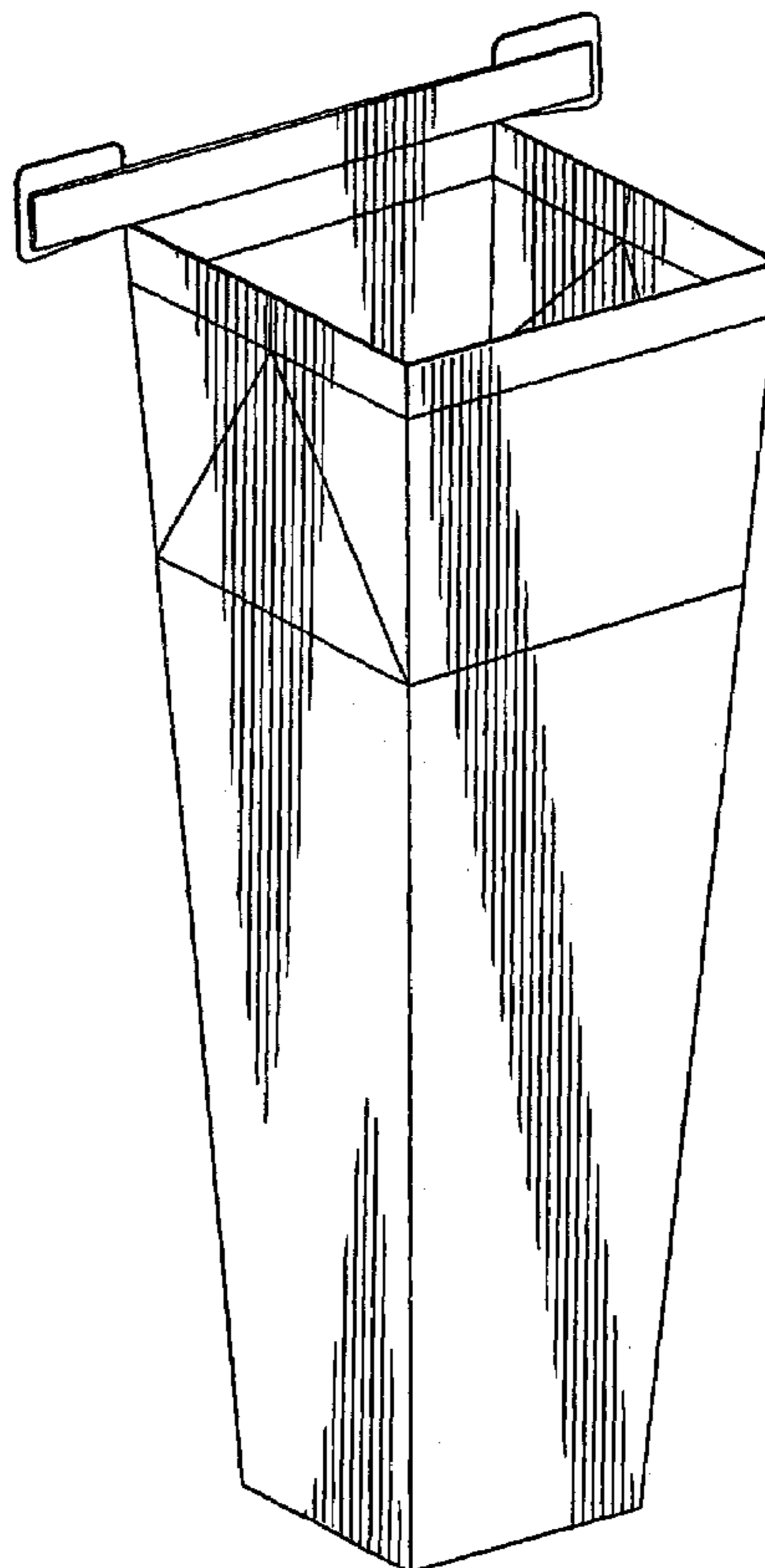
FIG. 4 is a front view of the refuse receptacle shown in FIGS. 1, 2 and 3.

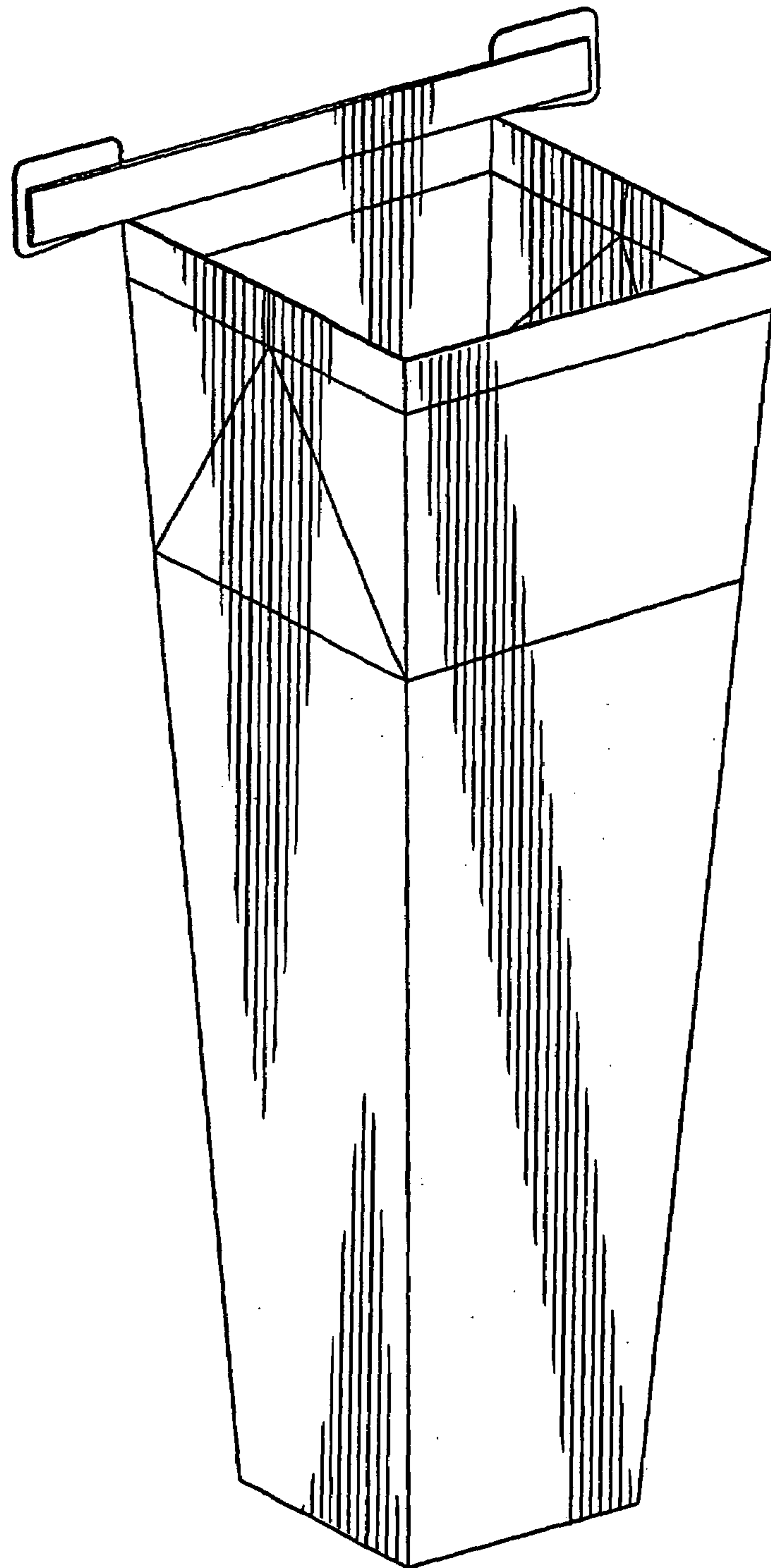
FIG. 5 is a rear view of the refuse receptacle shown in FIGS. 1-4.

FIG. 6 is a left side view of the refuse receptacle shown in FIGS. 1-5; and,

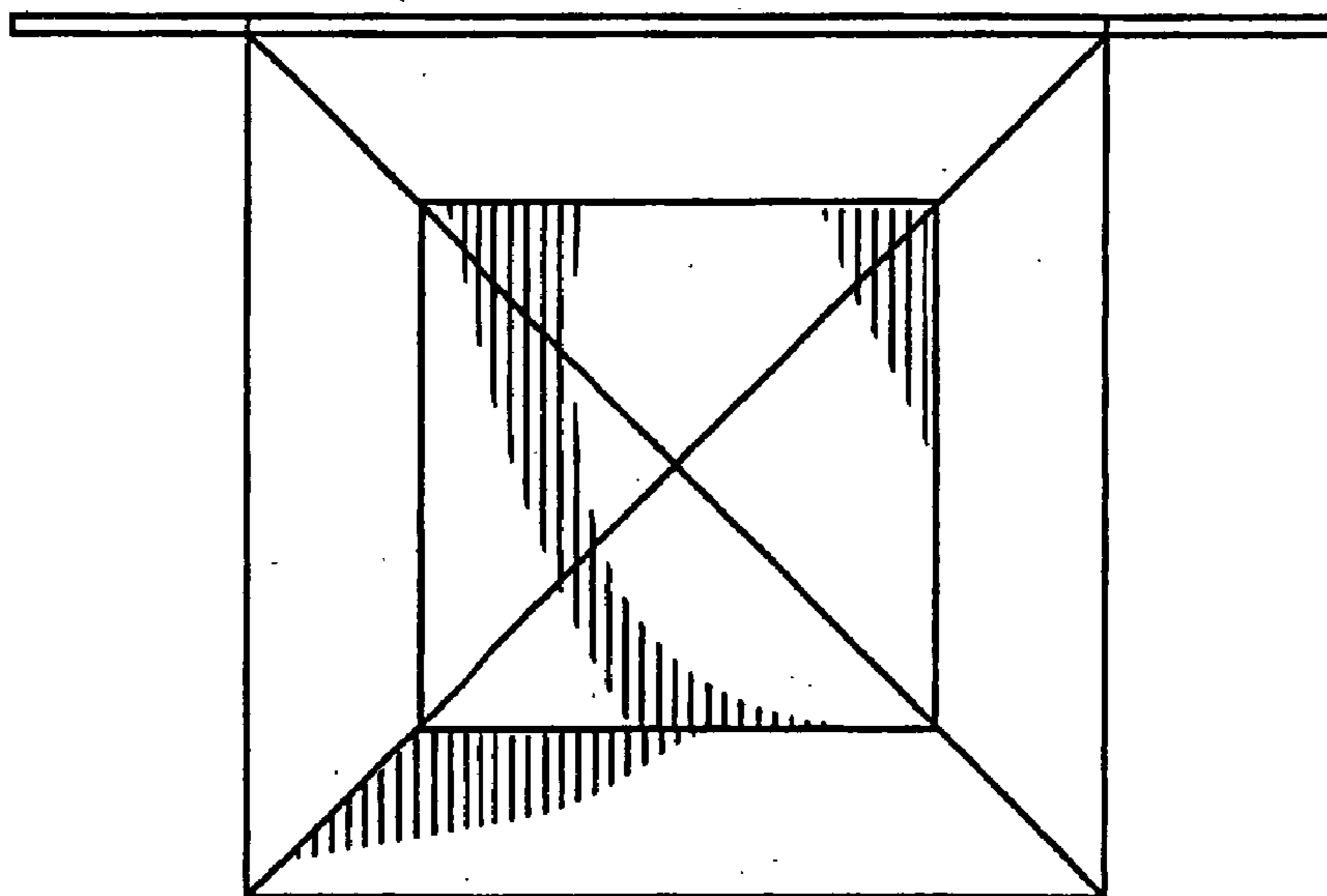
FIG. 7 is a right side view of the refuse receptacle shown in FIGS. 1-6.

**1 Claim, 7 Drawing Sheets**

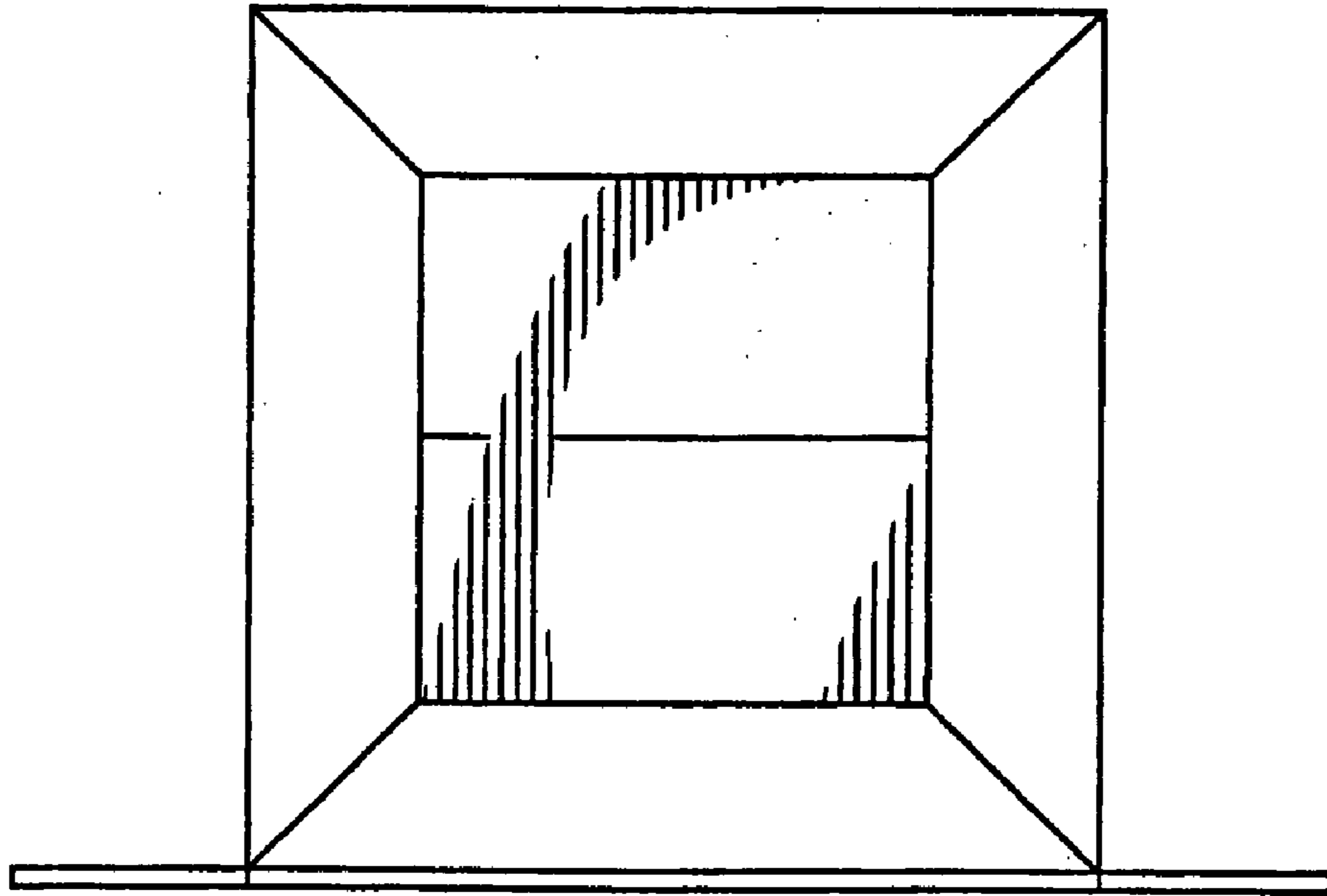




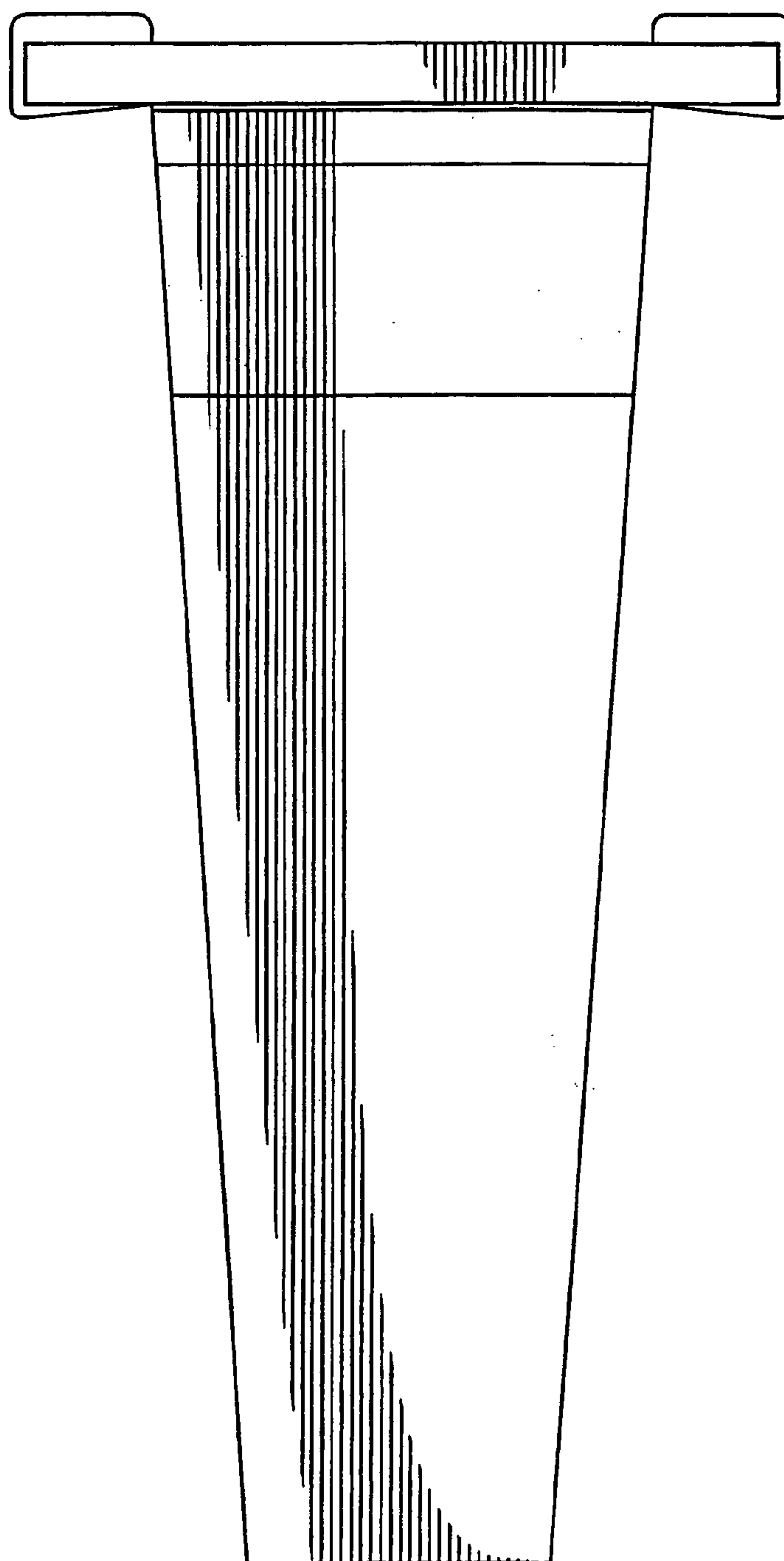
*Figure 1*



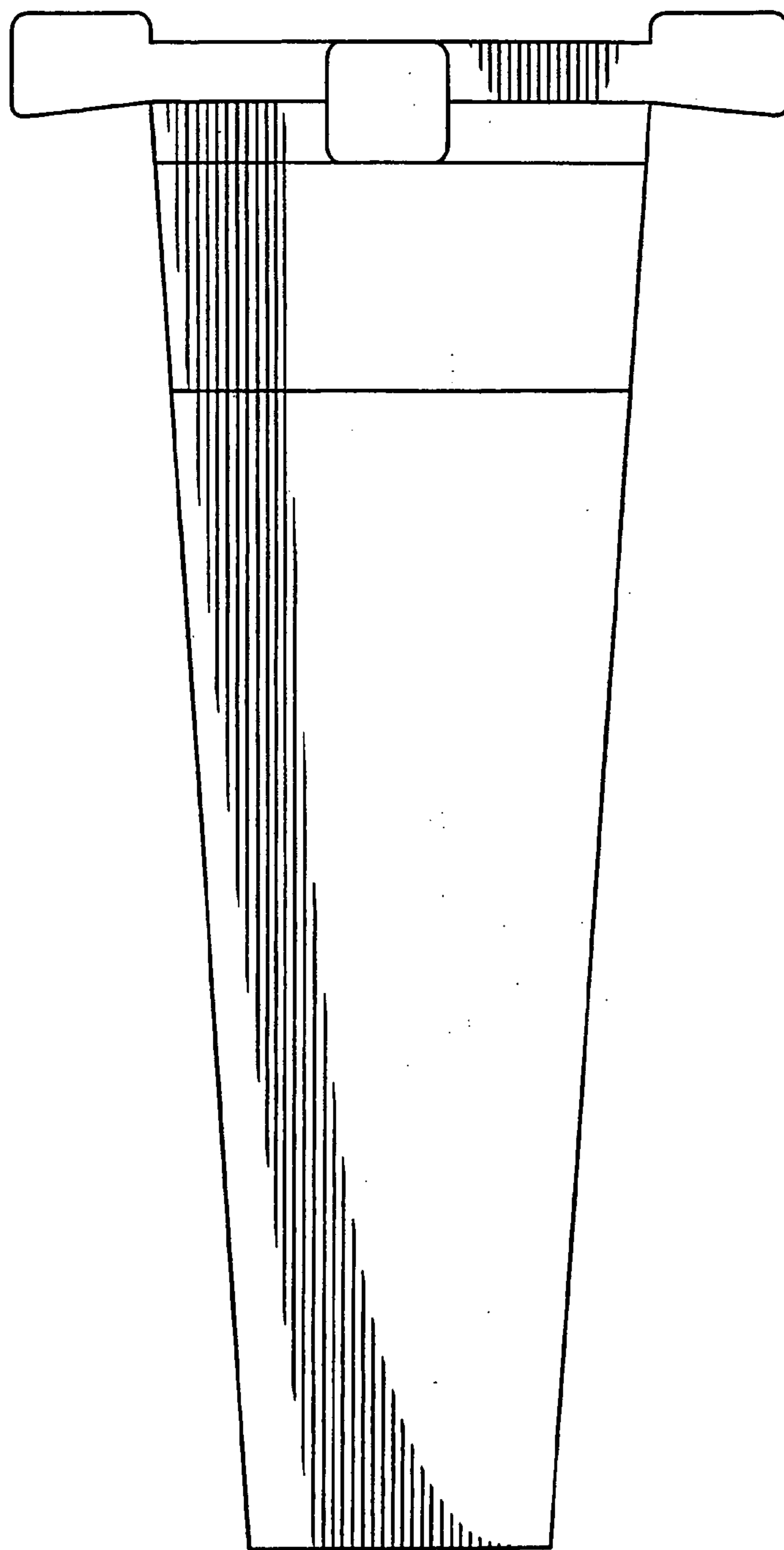
*Figure 2*



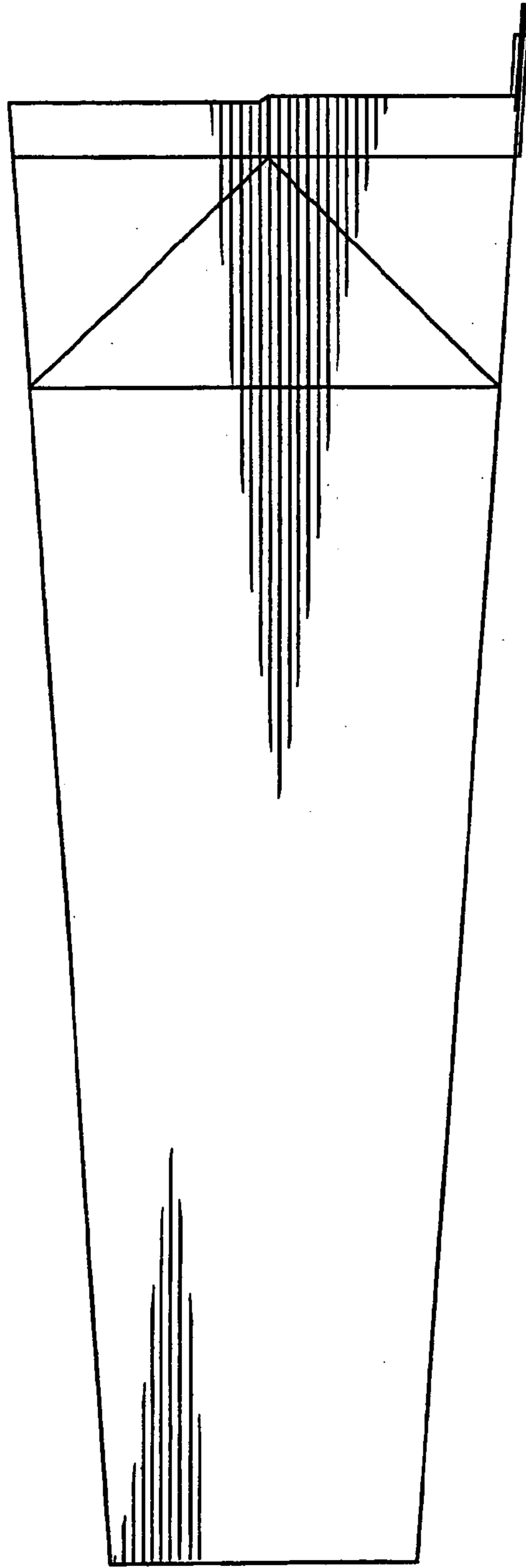
*Figure 3*



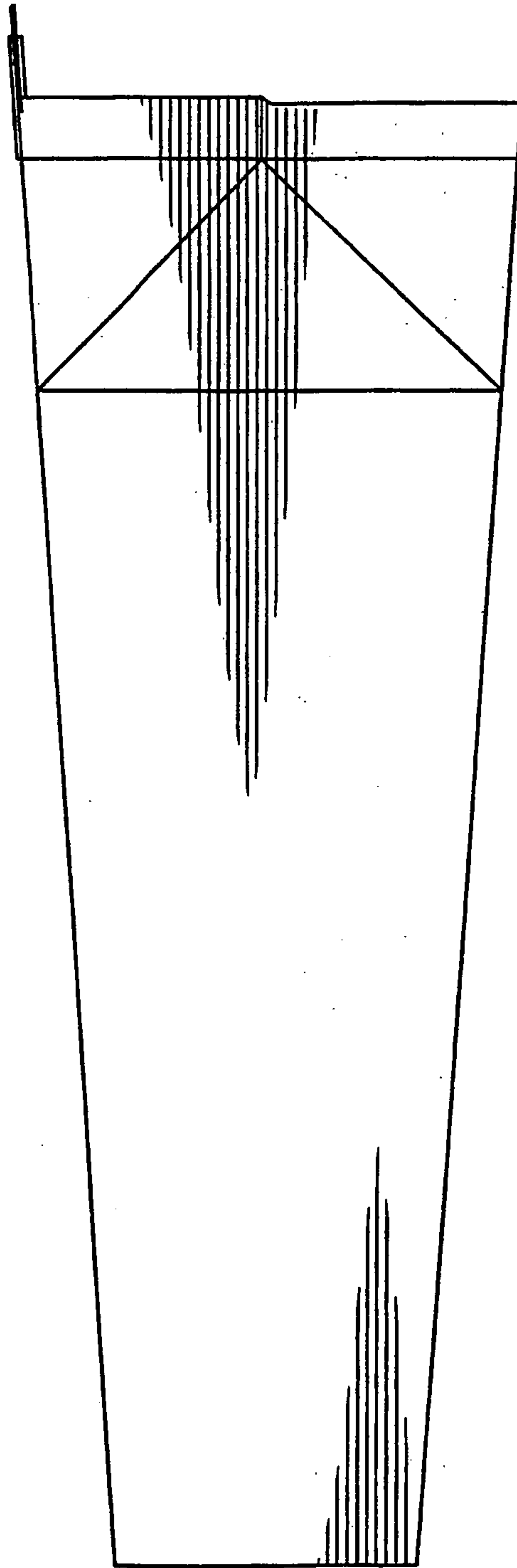
*Figure 4*



*Figure 5*



*Figure 6*



*Figure 7*