



US00D568561S

(12) **United States Design Patent**
Klingbeil

(10) **Patent No.:** **US D568,561 S**

(45) **Date of Patent:** **** May 6, 2008**

(54) **VACUUM CLEANER**

D539,492 S * 3/2007 Konno D32/21
D539,996 S * 4/2007 Owens D32/21

(75) Inventor: **Thomas Klingbeil**, Bottrop (DE)

(73) Assignee: **Ergobionik GmbH**, Bottrop (DE)

(**) Term: **14 Years**

(21) Appl. No.: **29/270,343**

(22) Filed: **Dec. 20, 2006**

(30) **Foreign Application Priority Data**

Jun. 22, 2006 (EM) 000548920

(51) **LOC (8) Cl.** **15-05**

(52) **U.S. Cl.** **D32/21**

(58) **Field of Classification Search** D32/21,
D32/23-24, 31, 15-16; D23/225; 15/320-321,
15/353, 323, 327.1-327.7, 329, 339, 412,
15/340.2, 344, 347; 55/DIG. 2

See application file for complete search history.

(56) **References Cited**

U.S. PATENT DOCUMENTS

D463,077 S * 9/2002 Kim D32/21

* cited by examiner

Primary Examiner—Ruth McInroy

(74) *Attorney, Agent, or Firm*—Andrew Wilford

(57) **CLAIM**

I claim the ornamental design for a vacuum cleaner, as shown and described.

DESCRIPTION

FIG. 1 is a front perspective view of a vacuum cleaner showing my new design;

FIG. 2 is a rear perspective view thereof;

FIG. 3 is a top plan view thereof;

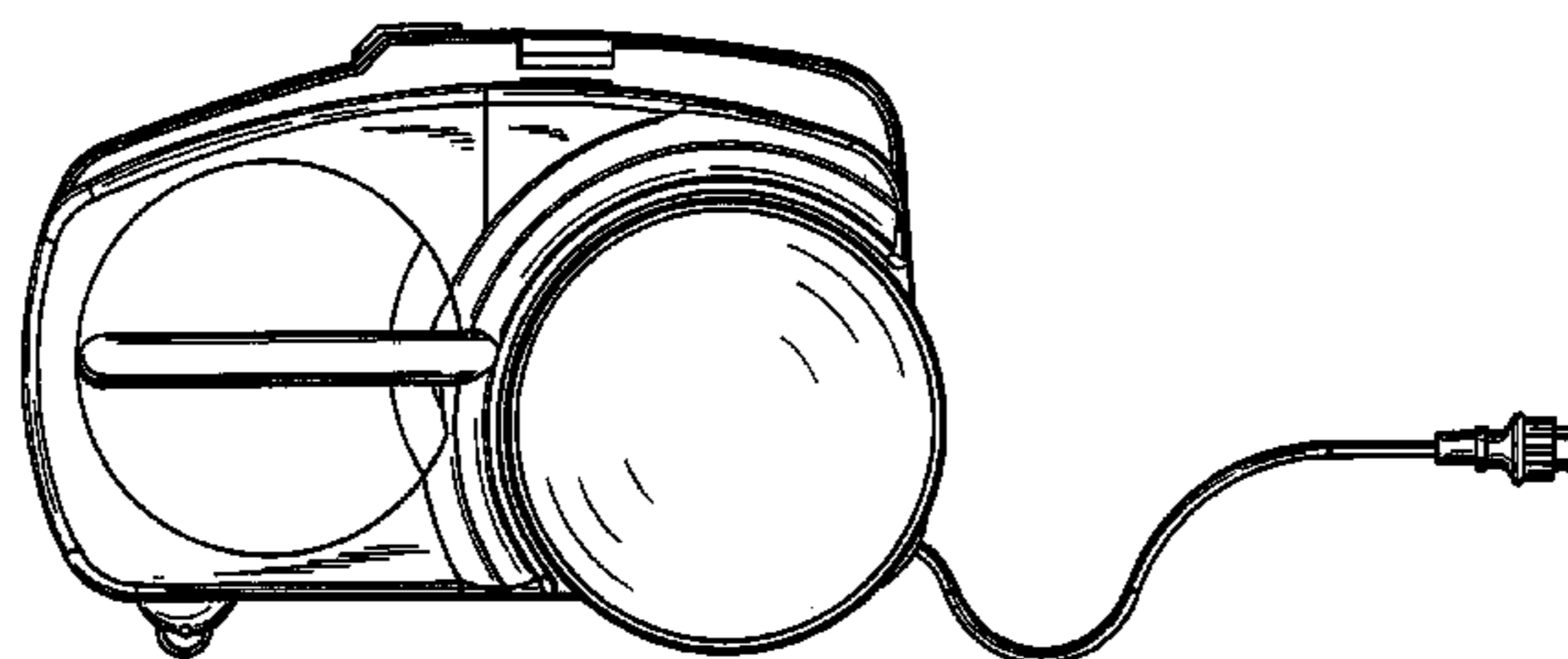
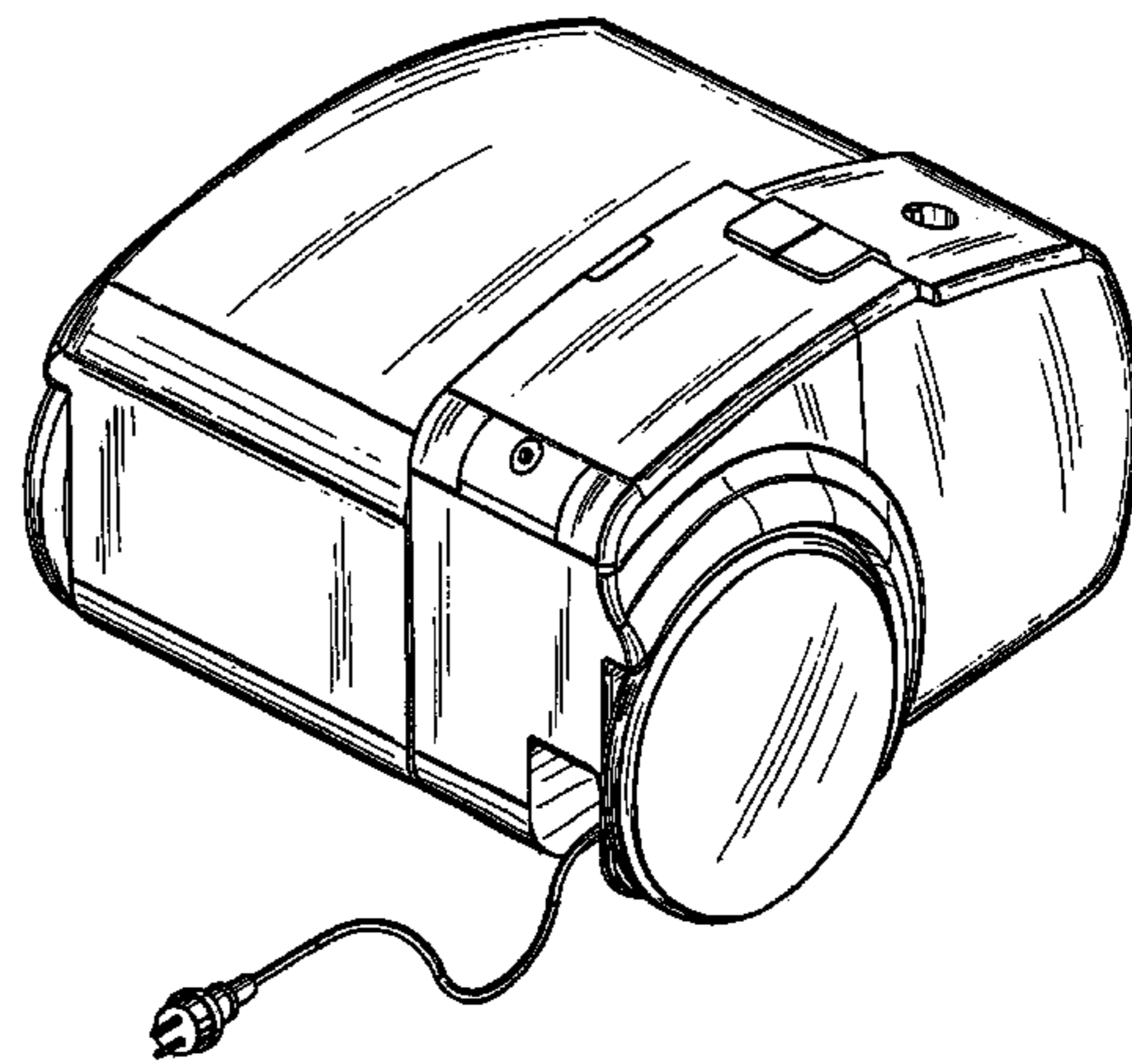
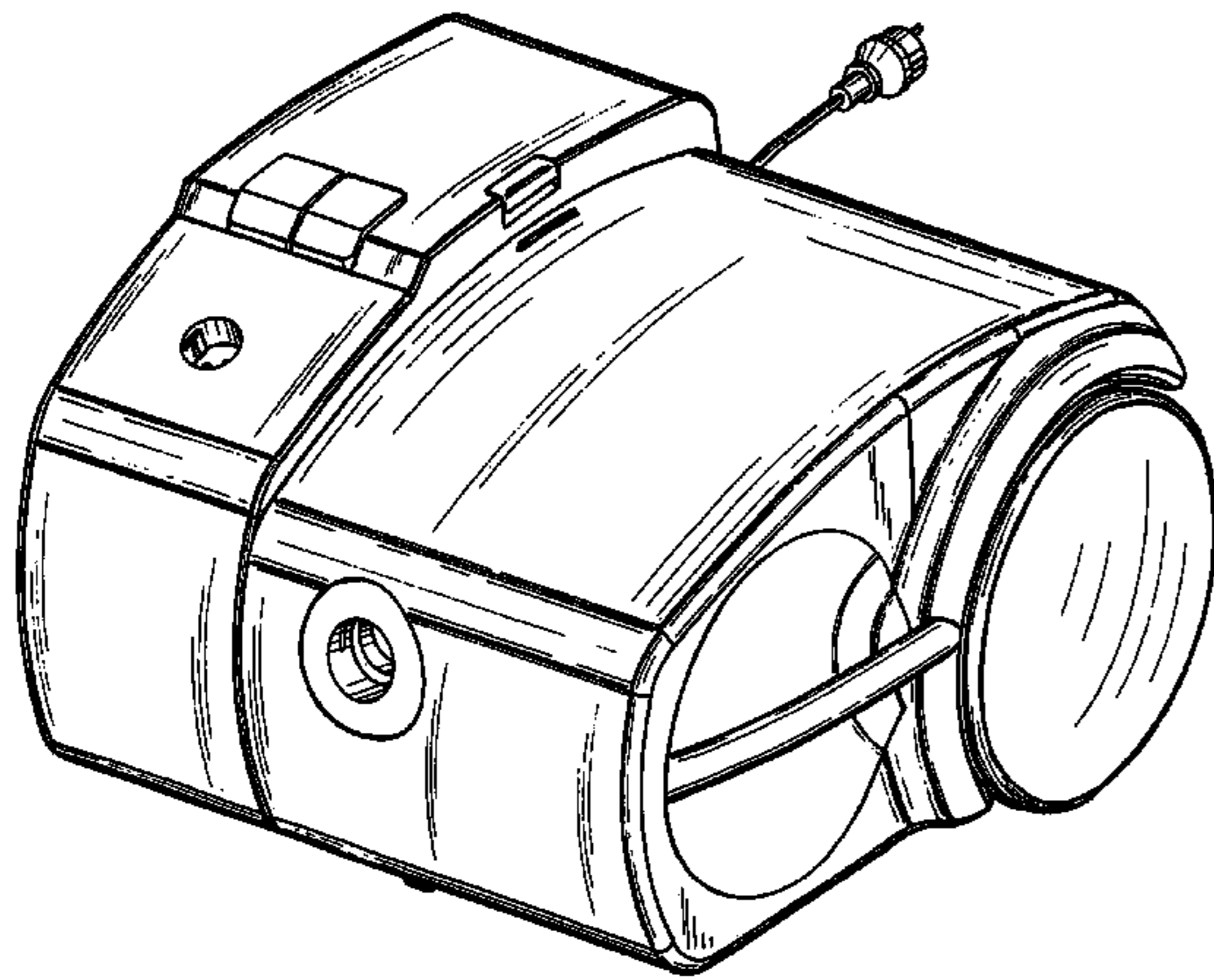
FIG. 4 is a bottom plan view thereof;

FIG. 5 is a front elevational view thereof;

FIG. 6 is a rear elevational view thereof; and,

FIG. 7 is a left-side elevational view thereof.

1 Claim, 7 Drawing Sheets



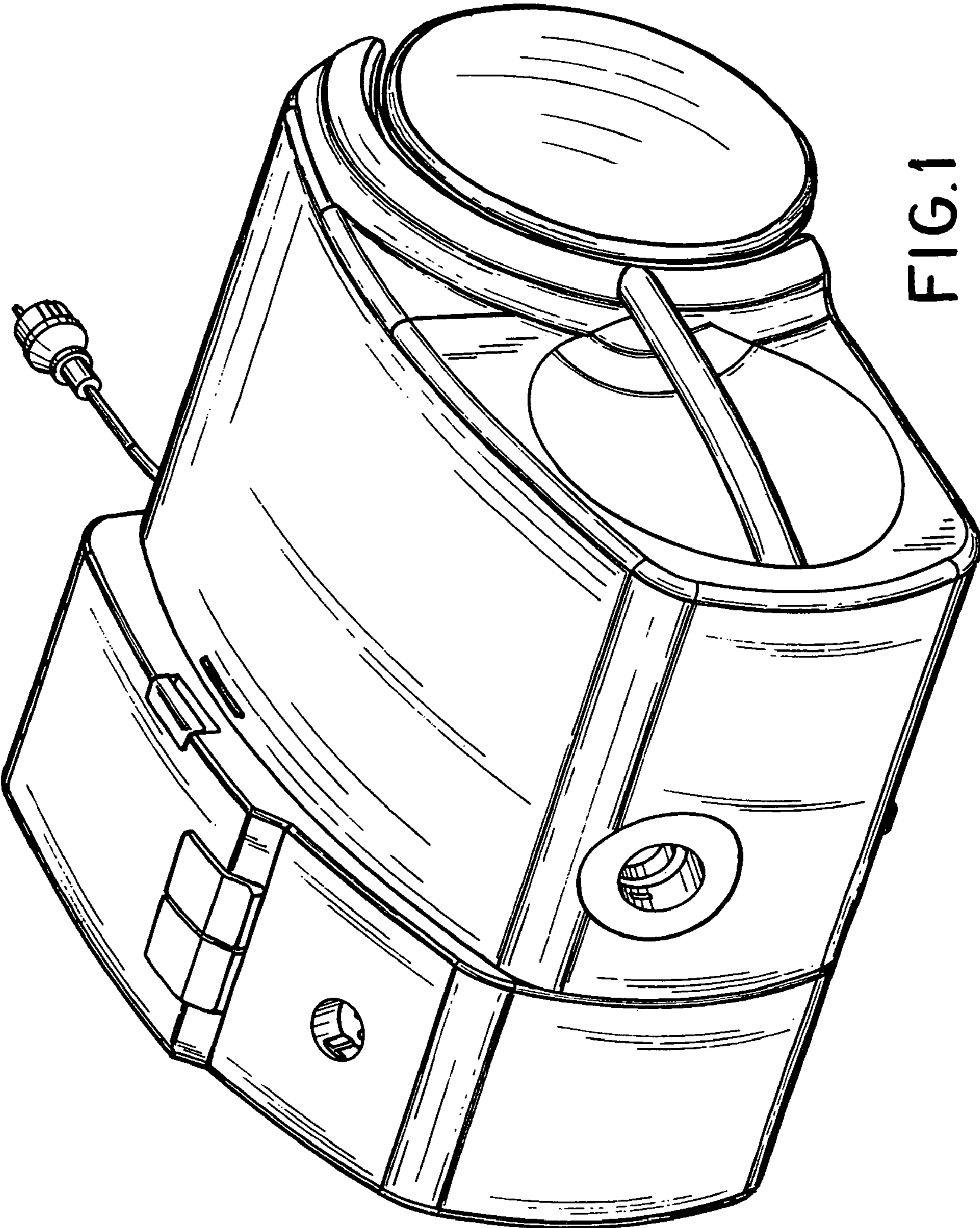


FIG. 1

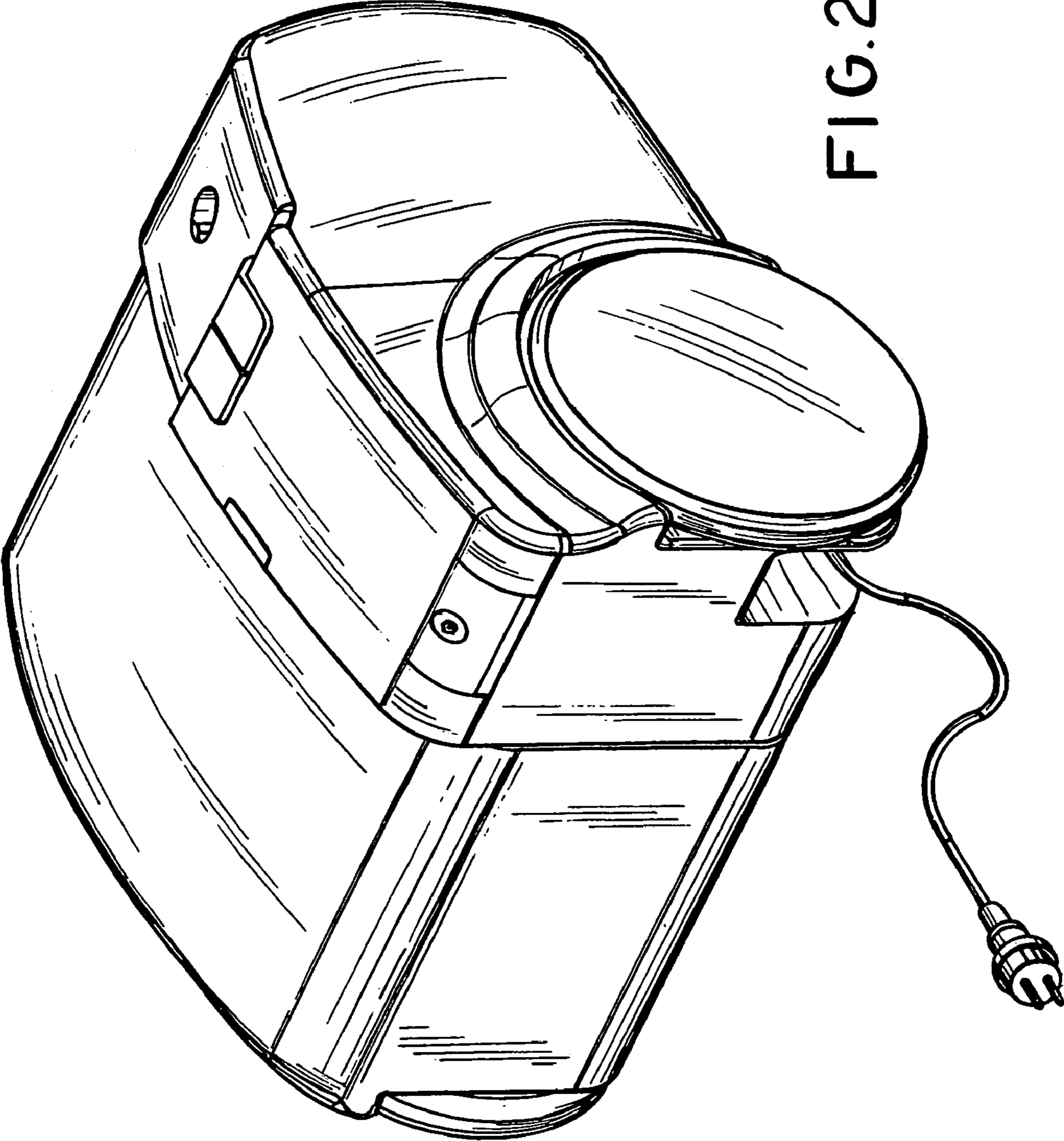


FIG. 2

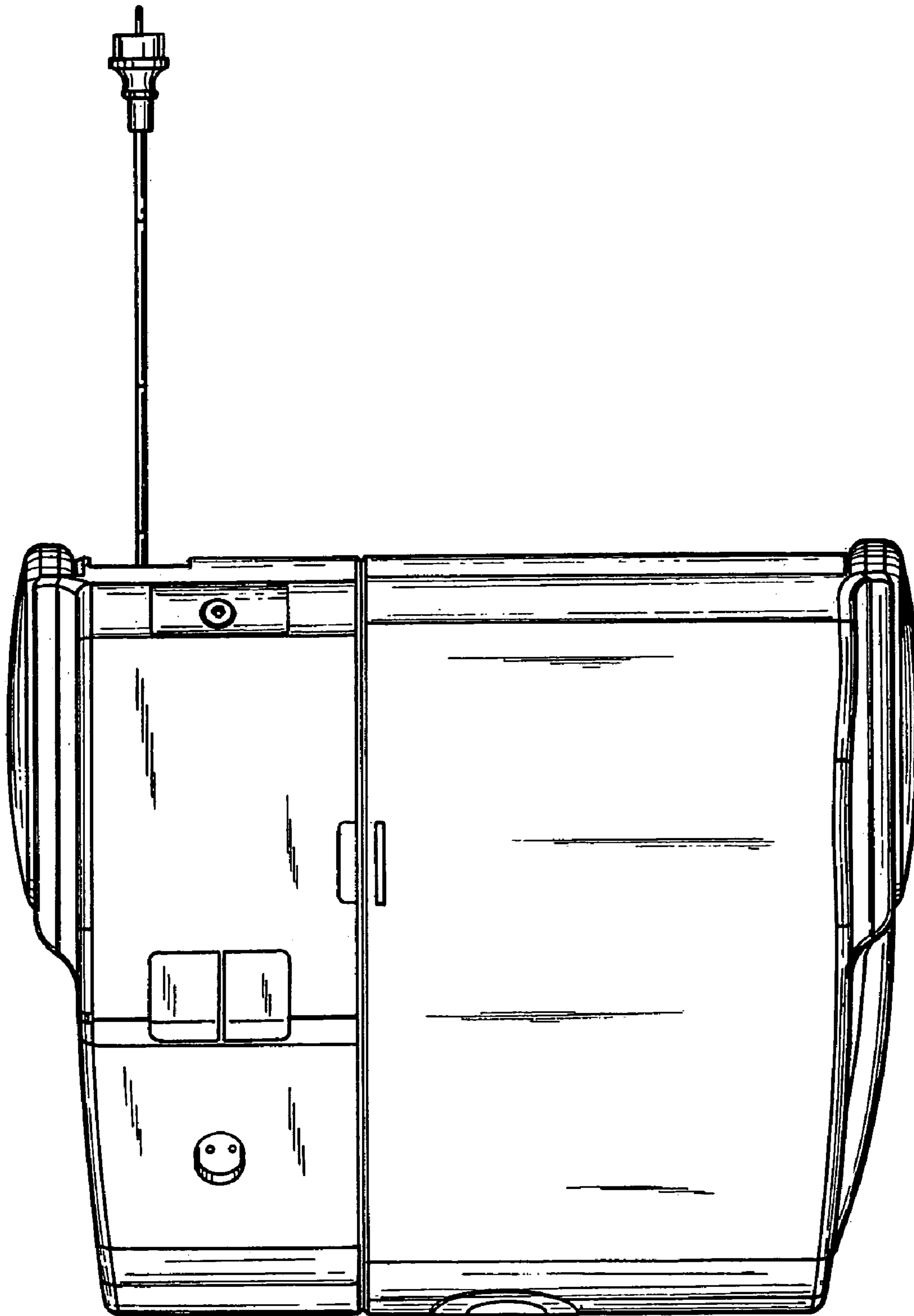


FIG.3

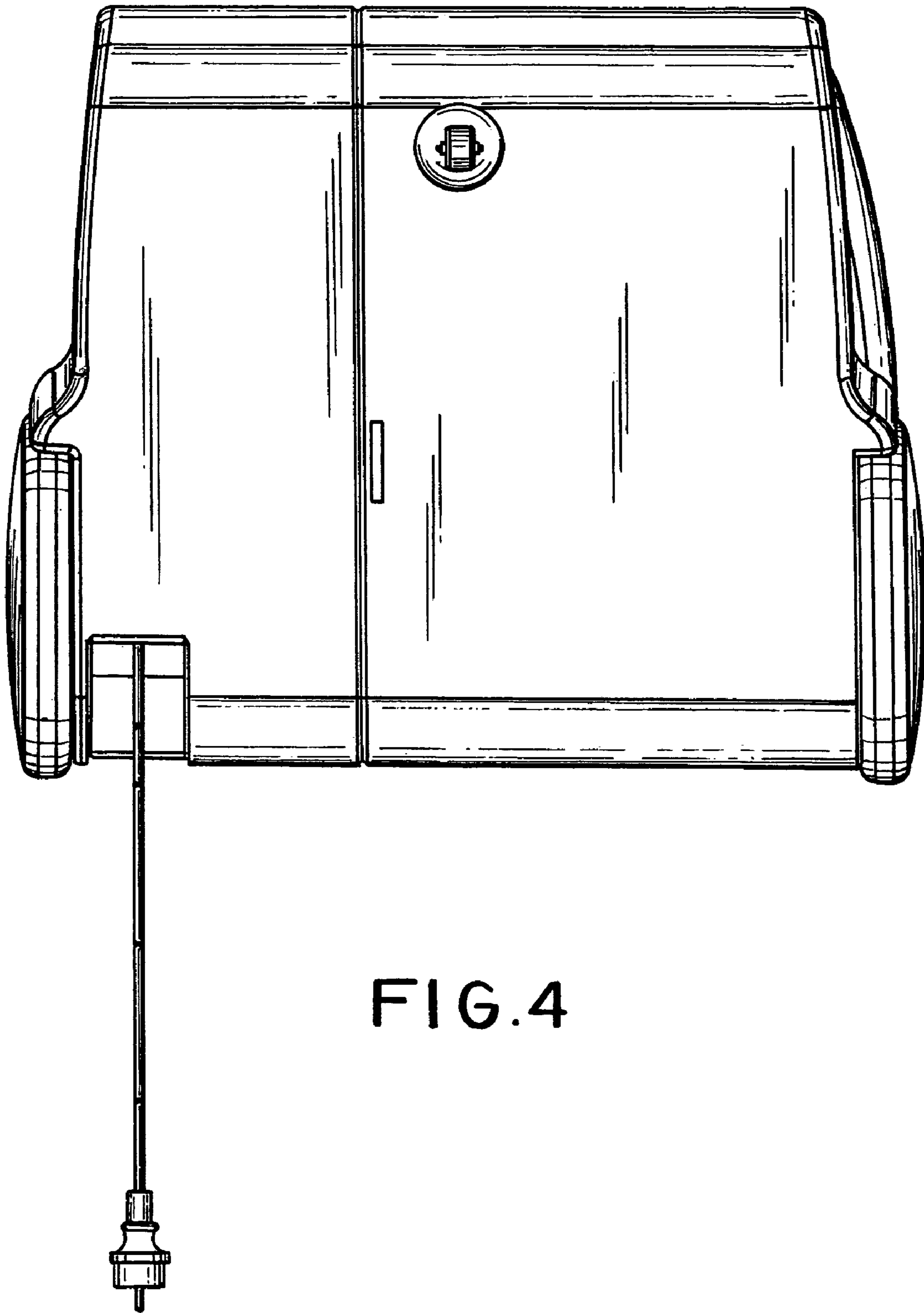


FIG.4

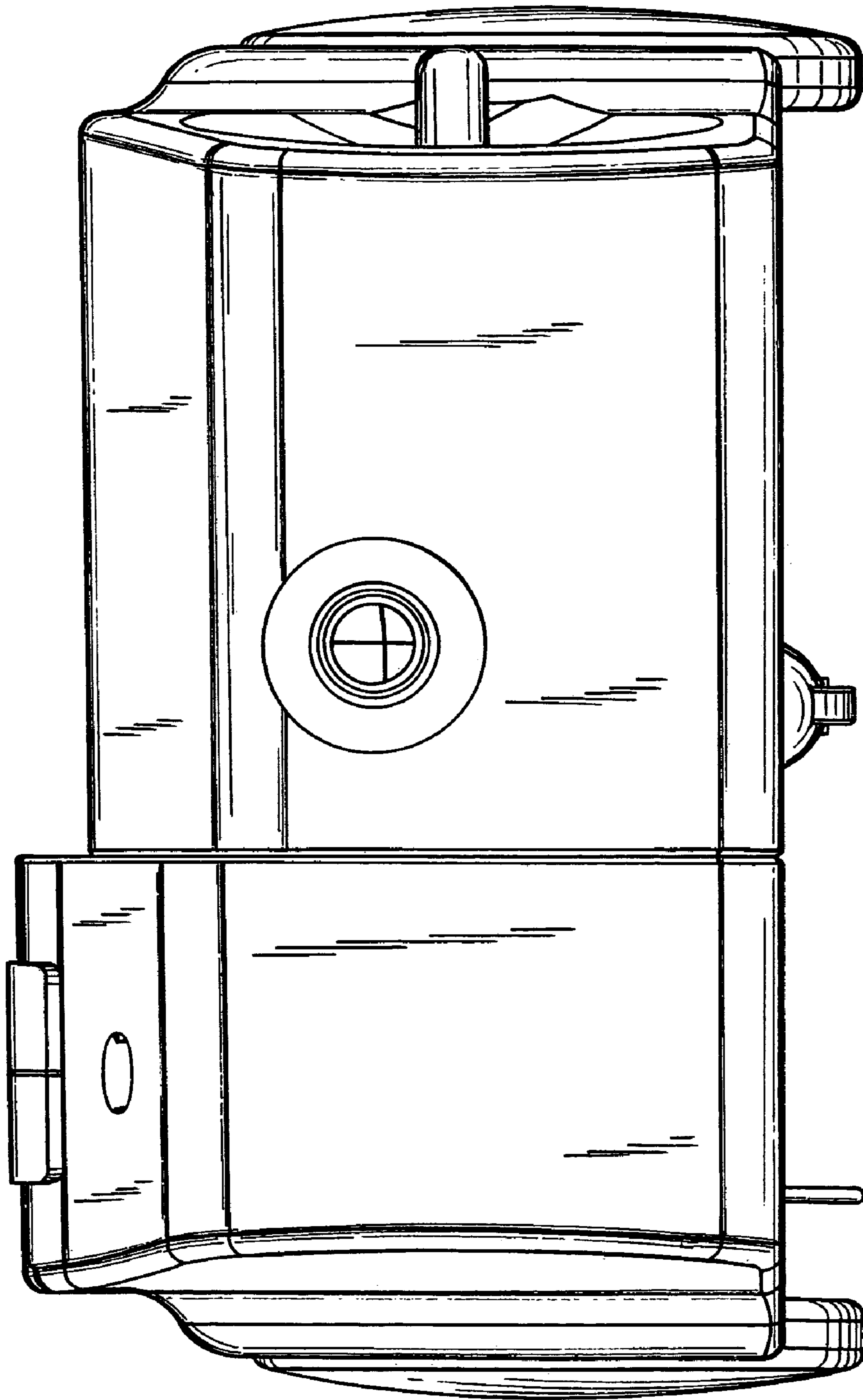


FIG. 5

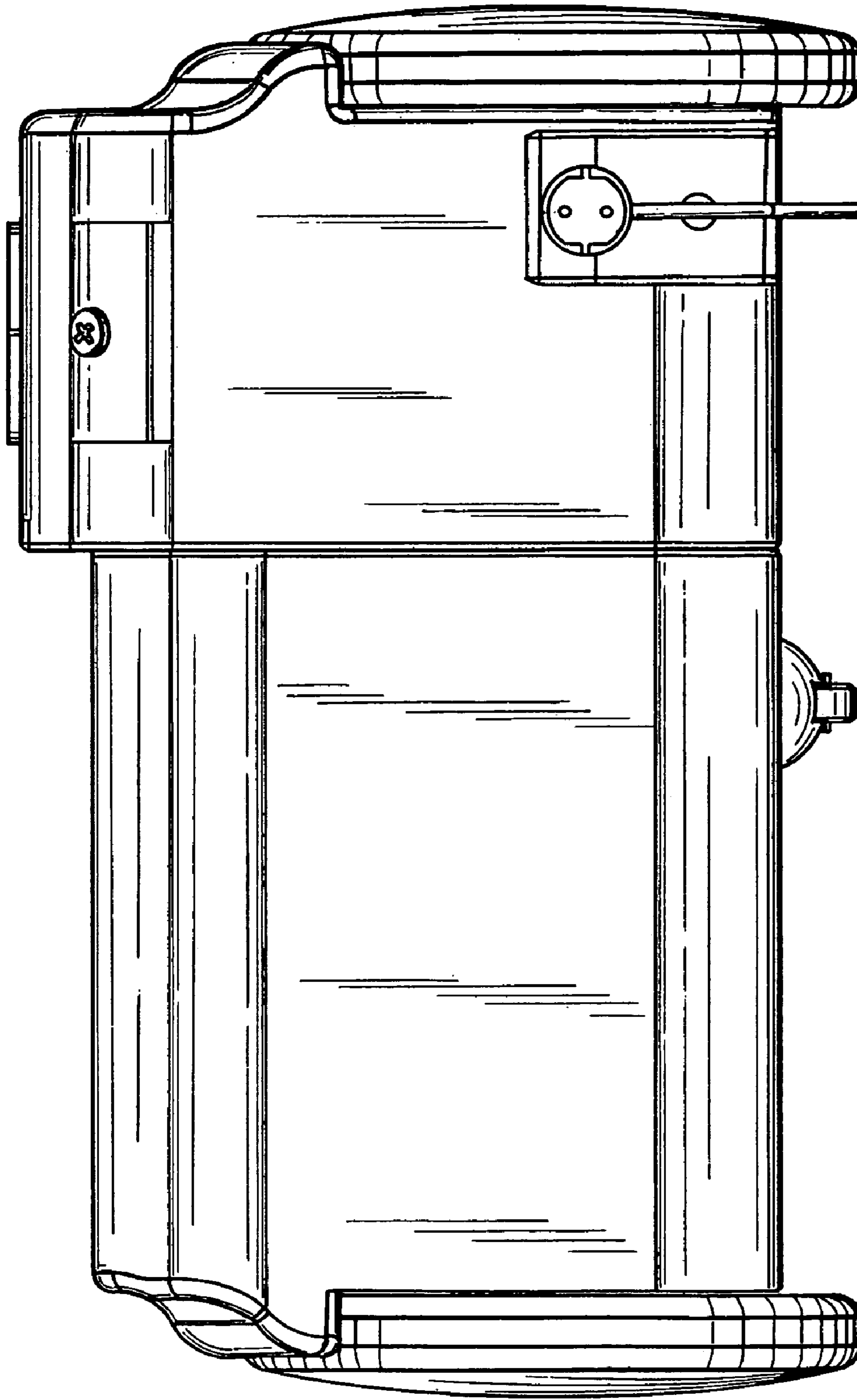


FIG. 6

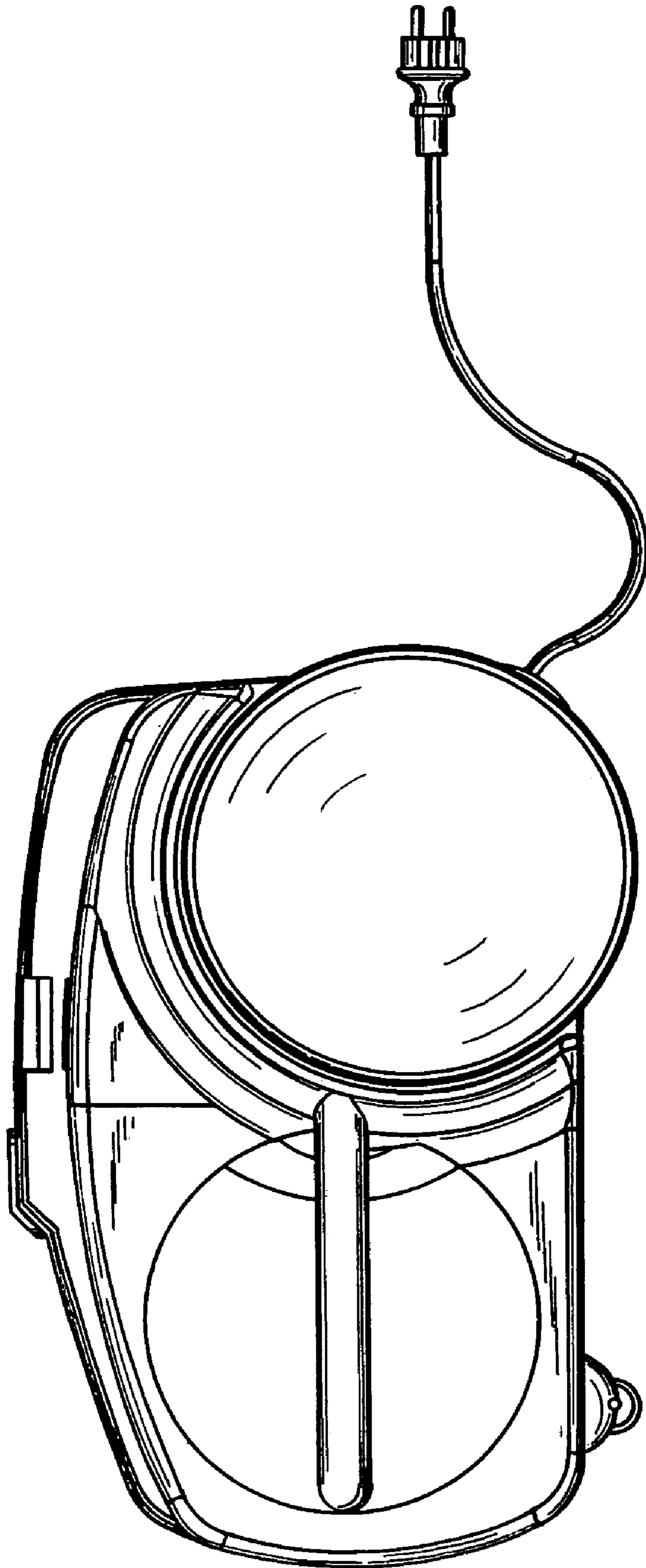


FIG. 7