



US00D568559S

(12) **United States Design Patent**  
**Li**

(10) **Patent No.:** **US D568,559 S**

(45) **Date of Patent:** **\*\* May 6, 2008**

(54) **JET CLEANING MACHINE**

(76) Inventor: **Jianfang Li**, Guoxiangqiao Village,  
Lanjiang Street, Yuyao City, Jhejiang  
(CN) 315409

(\*\*) Term: **14 Years**

(21) Appl. No.: **29/287,462**

(22) Filed: **Aug. 10, 2007**

(30) **Foreign Application Priority Data**

Feb. 13, 2007 (CN) ..... 2007 3 0004424

(51) **LOC (8) Cl.** ..... **15-05**

(52) **U.S. Cl.** ..... **D32/15**

(58) **Field of Classification Search** ..... D3/1,  
D3/4, 15, 17, 21-23, 31, 33-34; 15/320-323,  
15/327.1-327.2, 327.4-327.7, 344, 347,  
15/353, 410, 412, 414, 415.1-422  
See application file for complete search history.

(56) **References Cited**

**U.S. PATENT DOCUMENTS**

- D325,453 S \* 4/1992 Tsuge ..... D32/21
- D386,842 S \* 11/1997 Hoshino et al. .... D32/21
- D418,643 S \* 1/2000 Hoshino ..... D32/21
- 6,101,669 A \* 8/2000 Martin et al. .... 15/327.2
- D443,736 S \* 6/2001 Warth ..... D32/15
- D462,488 S \* 9/2002 Santiago et al. .... D32/18
- D496,764 S \* 9/2004 Lopano ..... D32/21

- D536,147 S \* 1/2007 Medema et al. .... D32/18
- D537,216 S \* 2/2007 Davis et al. .... D32/18
- D537,586 S \* 2/2007 Renner ..... D32/23
- D549,893 S \* 8/2007 Chen ..... D32/4
- 2006/0207052 A1 \* 9/2006 Tran ..... 15/320

**OTHER PUBLICATIONS**

<http://www.ridgid.com/assets/thumpnail.asp?path=/ASSETS/E11464821CD44B5C9573ABF4195A84DB/>\*

[http://www.allbrands.com/images/products\\_main/M\\_13000\\_ep923.jpg](http://www.allbrands.com/images/products_main/M_13000_ep923.jpg)\*

\* cited by examiner

*Primary Examiner*—Louis S. Zarfes

*Assistant Examiner*—Kathleen Sims

(74) *Attorney, Agent, or Firm*—Sughrue Mion, PLLC

(57) **CLAIM**

The ornamental design for a jet cleaning machine, as shown.

**DESCRIPTION**

FIG. 1 is a front elevation view of a jet cleaning machine showing my new design;

FIG. 2 is a rear elevation view thereof;

FIG. 3 is a side elevation view thereof;

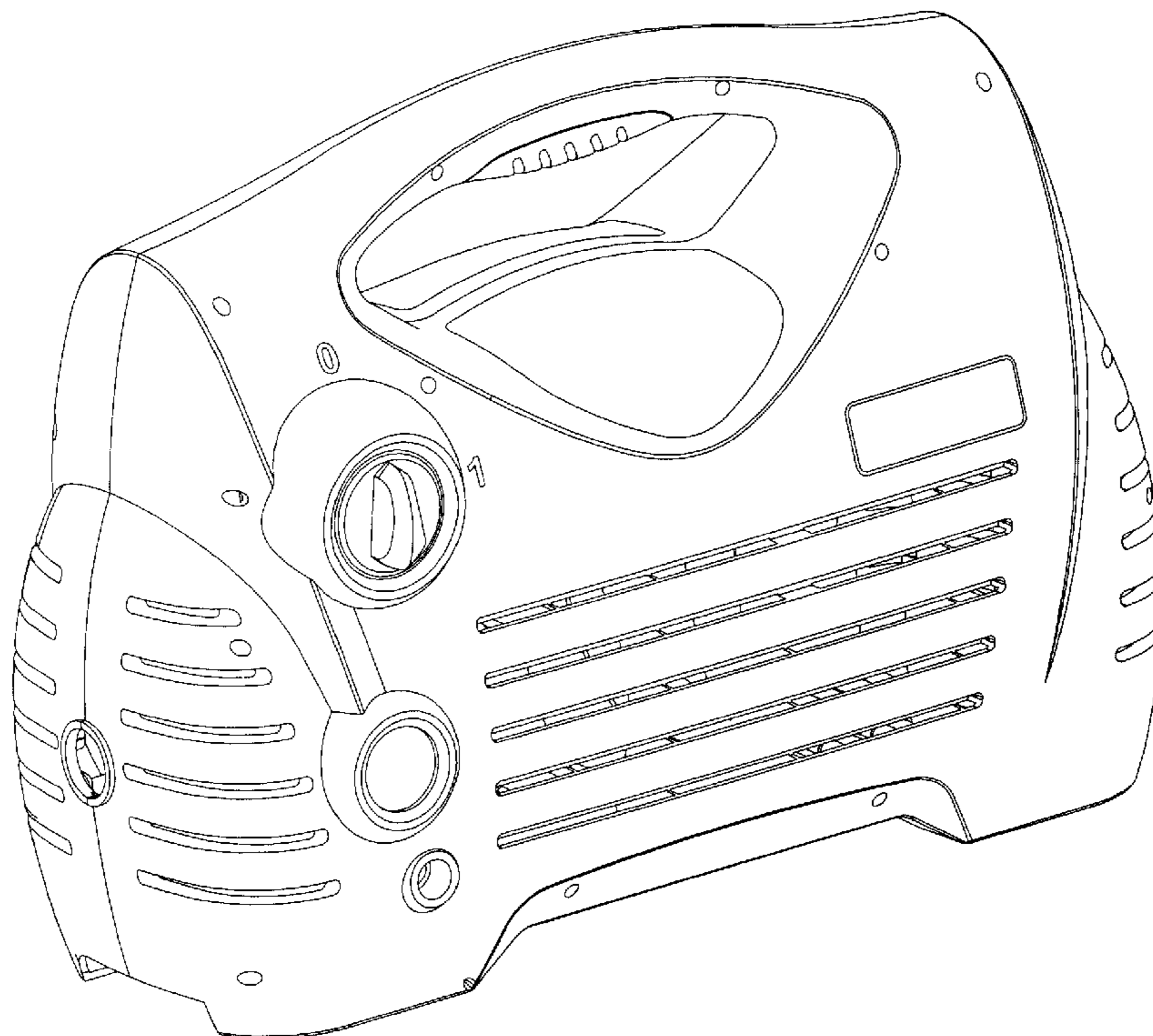
FIG. 4 is a opposite side elevation view thereof

FIG. 5 is a top plan view thereof;

FIG. 6 is a bottom plan view thereof; and,

FIG. 7 is a perspective view thereof.

**1 Claim, 7 Drawing Sheets**



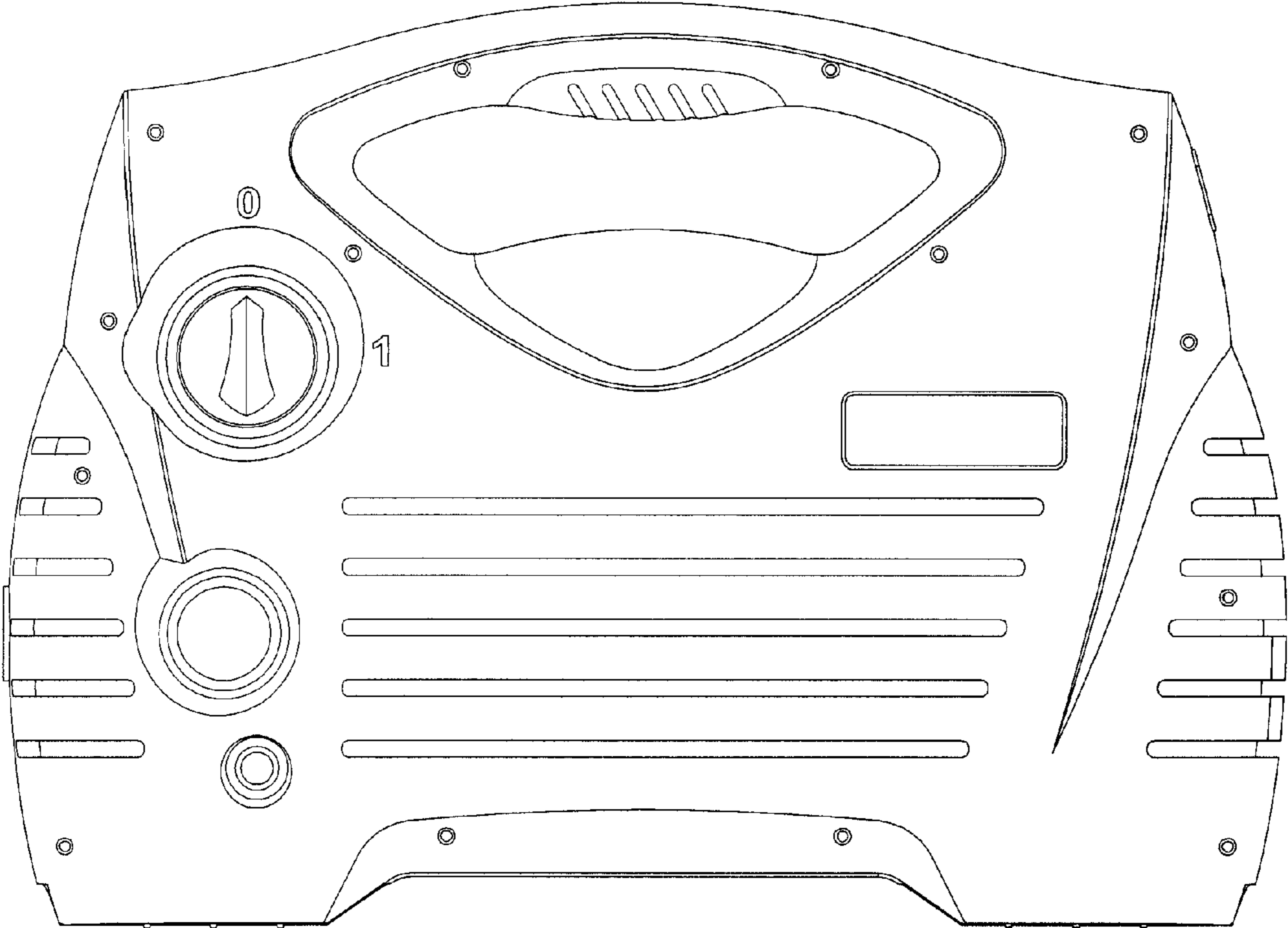


FIG. 1

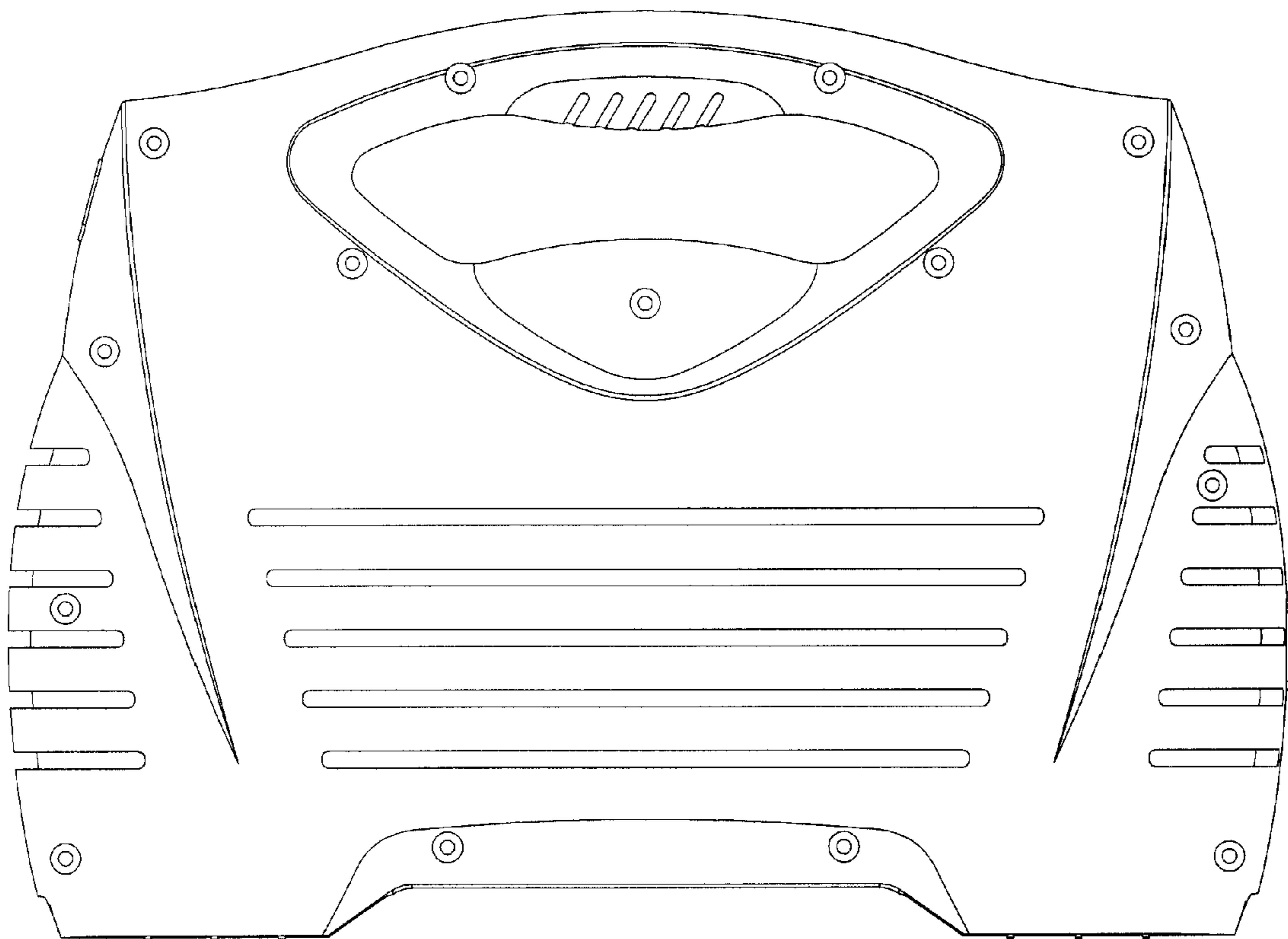


FIG. 2

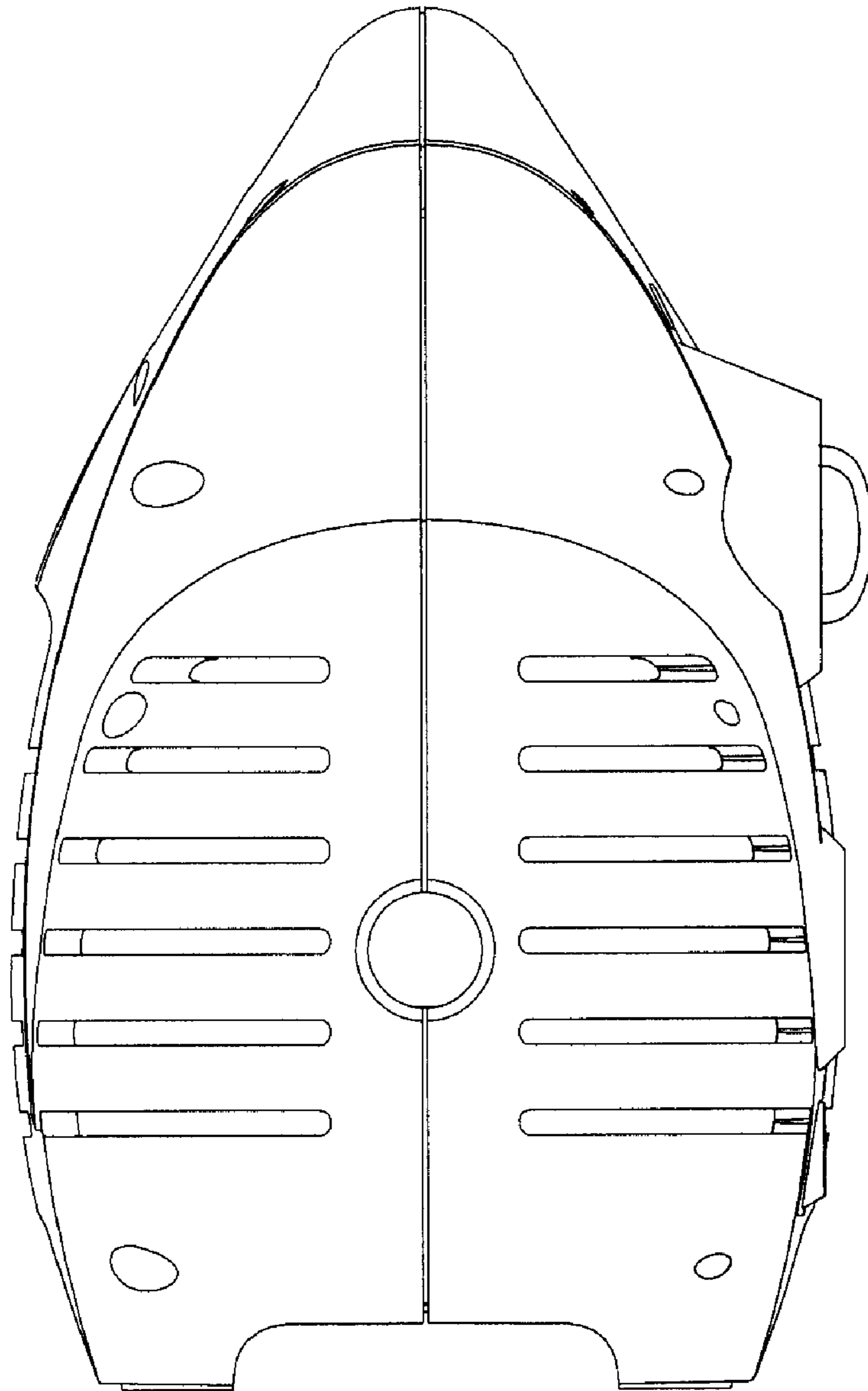


FIG. 3

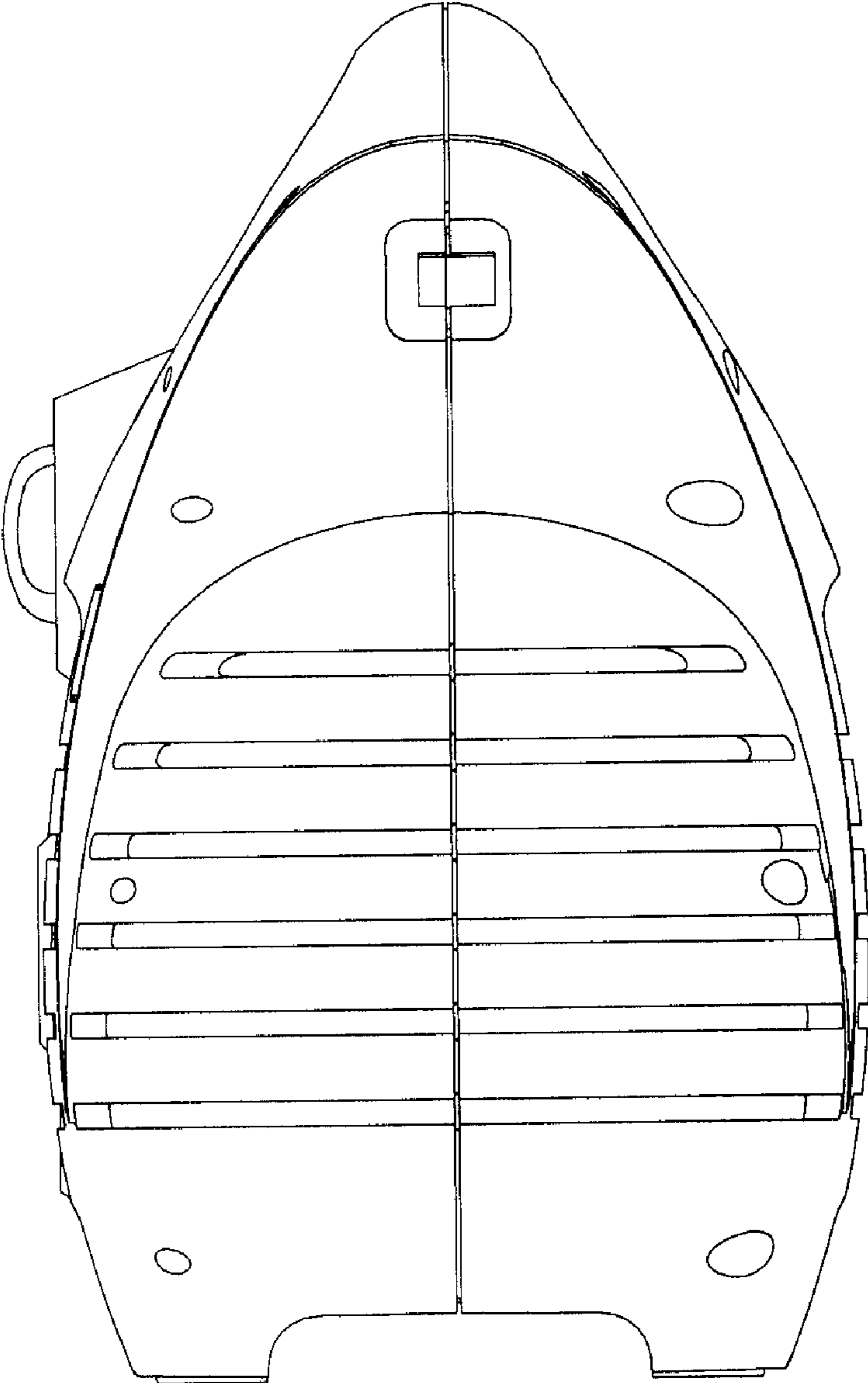


FIG. 4

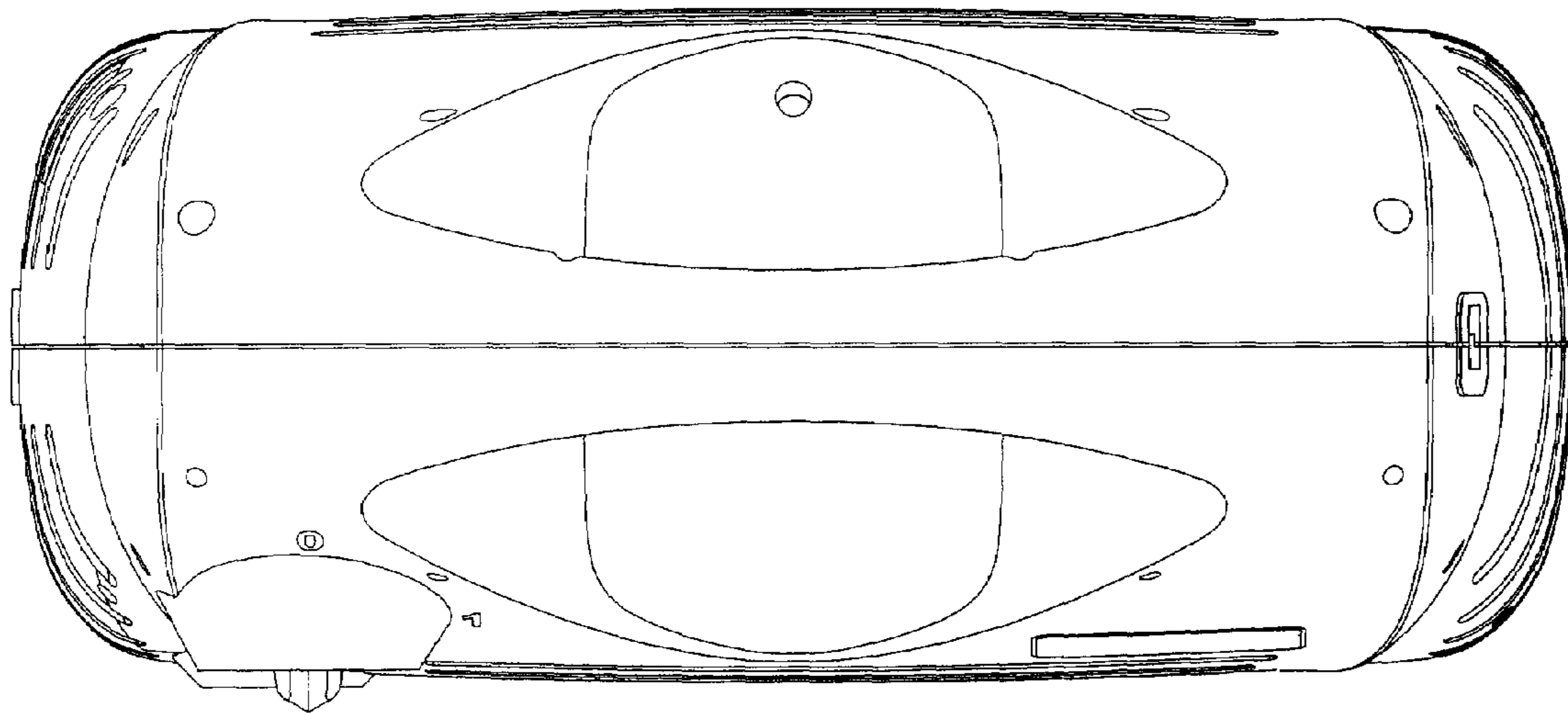


FIG. 5

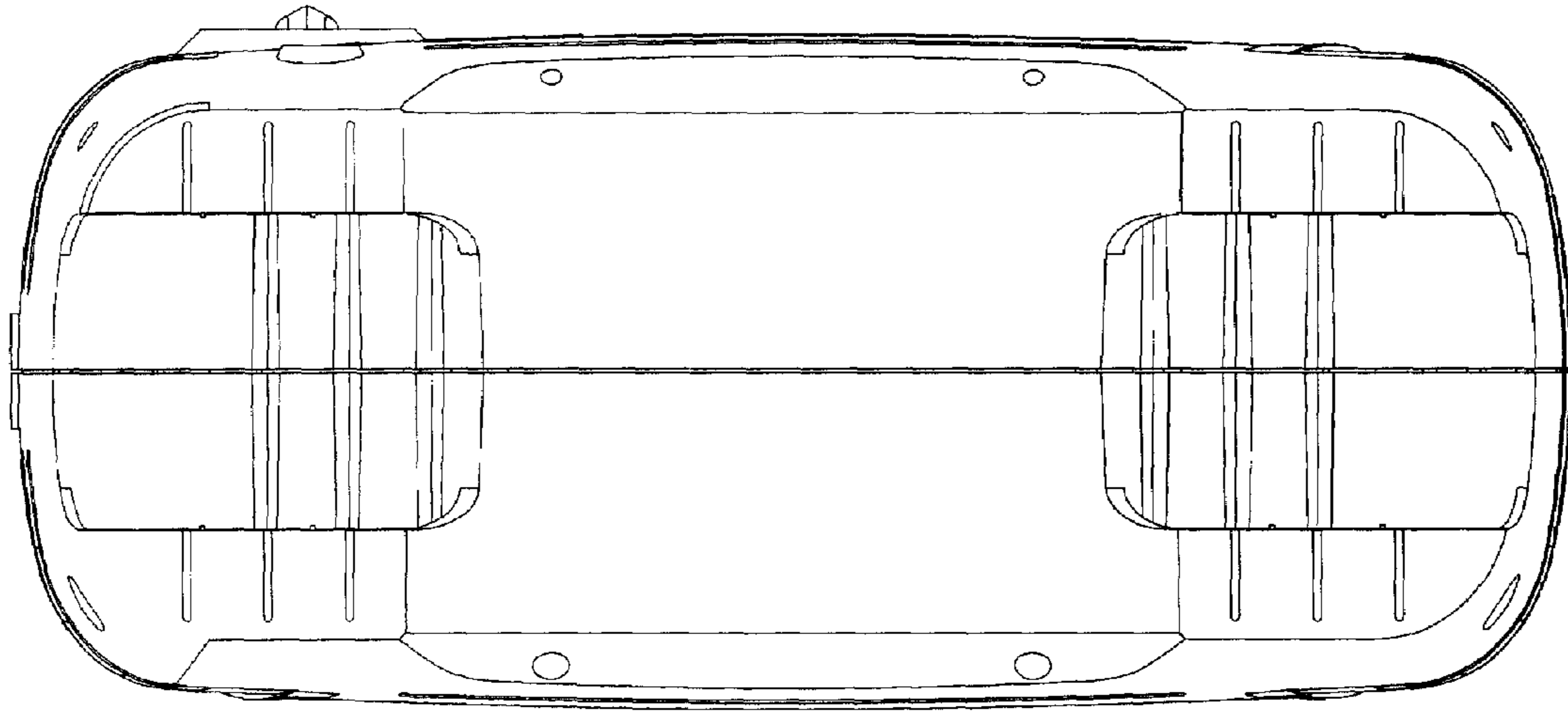


FIG. 6

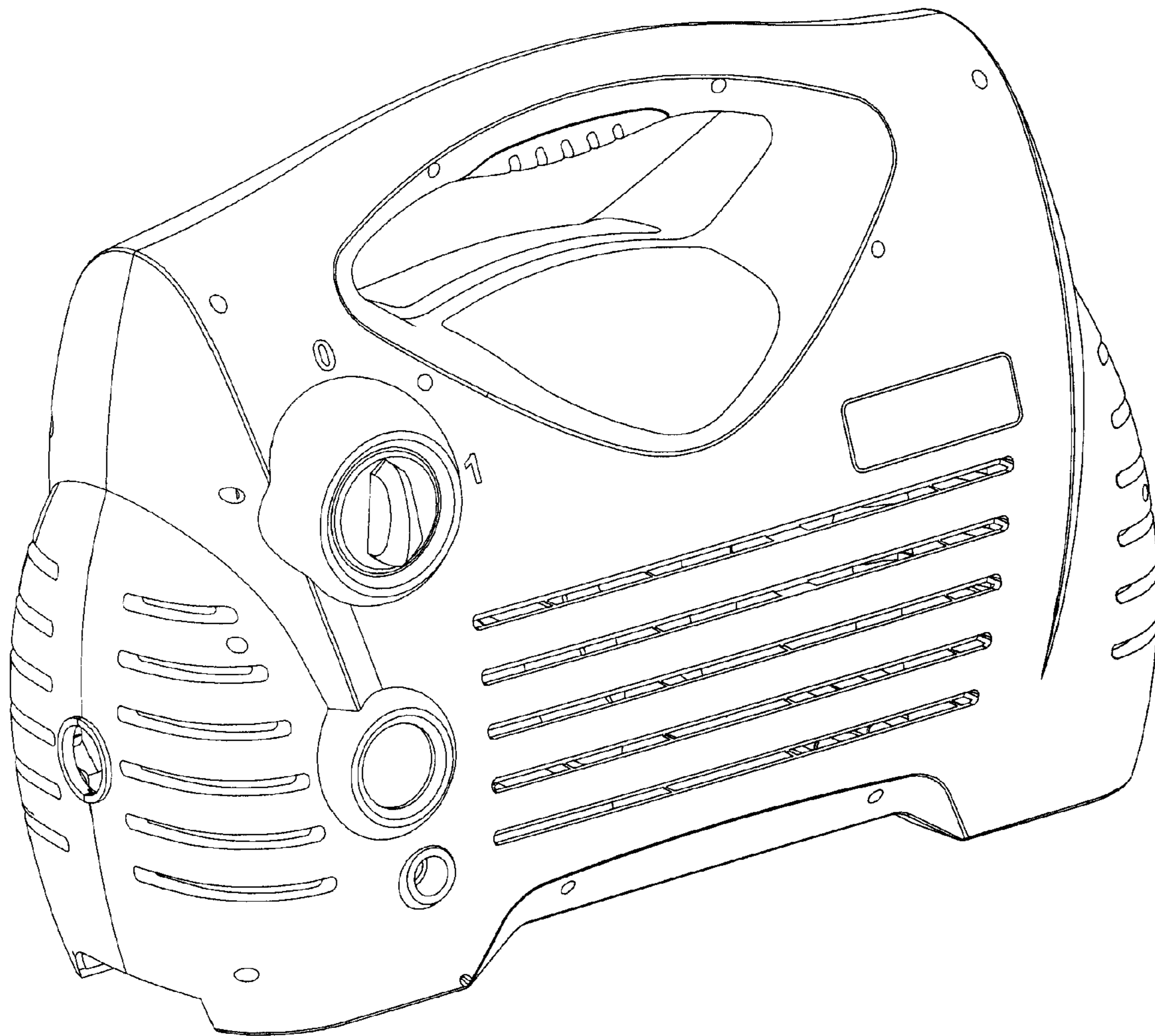


FIG. 7