



US00D568557S

(12) **United States Design Patent**
Alexander

(10) **Patent No.:** **US D568,557 S**

(45) **Date of Patent:** **** May 6, 2008**

(54) **PRESSURE WASHER**

http://www.pressurewashersdirect.com/catalog/images/K290MR_400.jpg Dec. 20, 2007.*

(75) Inventor: **Gus Alexander**, Inverness, IL (US)

http://www.pressurewashersdirect.com/catalog/images/FH140A_400.jpg Dec. 20, 2007.*

(73) Assignee: **FAIP North America, Inc.**, Elk Grove Village, IL (US)

* cited by examiner

(**) Term: **14 Years**

Primary Examiner—Louis S. Zarfaz

Assistant Examiner—Kathleen Sims

(21) Appl. No.: **29/286,793**

(74) *Attorney, Agent, or Firm*—Leydig, Voit & Mayer, Ltd.

(22) Filed: **May 18, 2007**

(57) **CLAIM**

(51) **LOC (8) Cl.** **15-05**

(52) **U.S. Cl.** **D32/15**

(58) **Field of Classification Search** D32/1,
D32/15-16, 21-22, 25; 15/320-321, 323,
15/332, 347; D15/7; D34/16-27

The ornamental design for a pressure washer, as shown and described.

See application file for complete search history.

DESCRIPTION

(56) **References Cited**

U.S. PATENT DOCUMENTS

D481,838 S *	11/2003	Renner	D32/15
D488,596 S *	4/2004	Cattaneo	D32/15
D489,497 S *	5/2004	Cattaneo	D32/15
D489,498 S *	5/2004	Cattaneo	D32/15
D490,947 S *	6/2004	Cattaneo	D32/15
D490,948 S *	6/2004	Cattaneo	D32/15
D519,693 S *	4/2006	Ricker et al.	D32/15
D532,166 S *	11/2006	Reverberi	D32/4
D551,813 S *	9/2007	Renner et al.	D32/15
D556,959 S *	12/2007	Li	D32/15

OTHER PUBLICATIONS

http://www.pressurewashersdirect.com/catalog/images/PW1310_400.jpg
Dec. 20, 2007.*

FIG. 1 is a front, right side perspective of a pressure washer showing my new design;

FIG. 2 is a rear, left side perspective view thereof;

FIG. 3 is a front elevational view thereof;

FIG. 4 is a rear elevational view thereof;

FIG. 5 is a right side elevational view thereof;

FIG. 6 is a left side elevational view thereof;

FIG. 6 is a left side elevational view thereof;

FIG. 7 is a top plan view thereof; and,

FIG. 8 is a bottom plan view thereof.

1 Claim, 7 Drawing Sheets

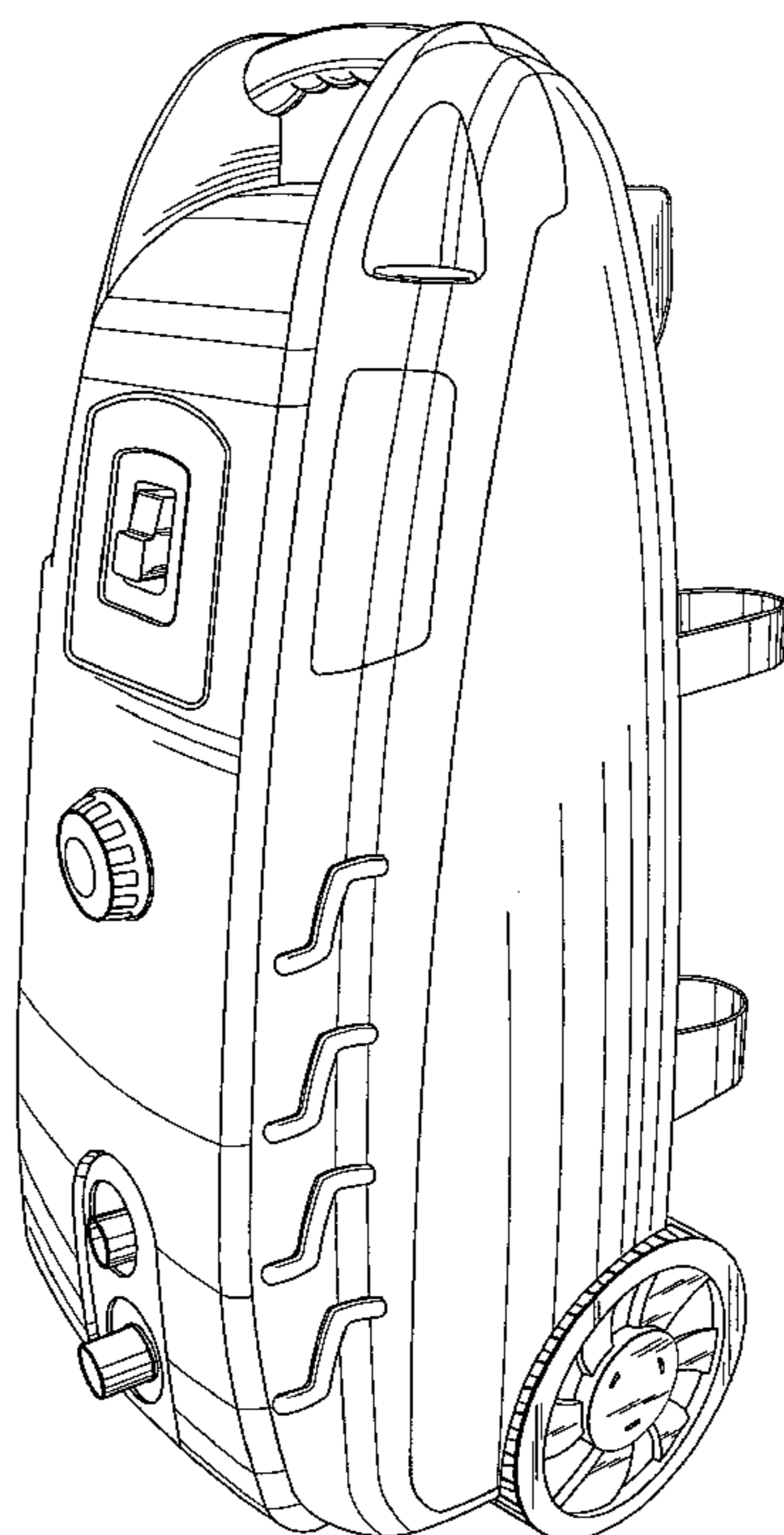


FIG. 1

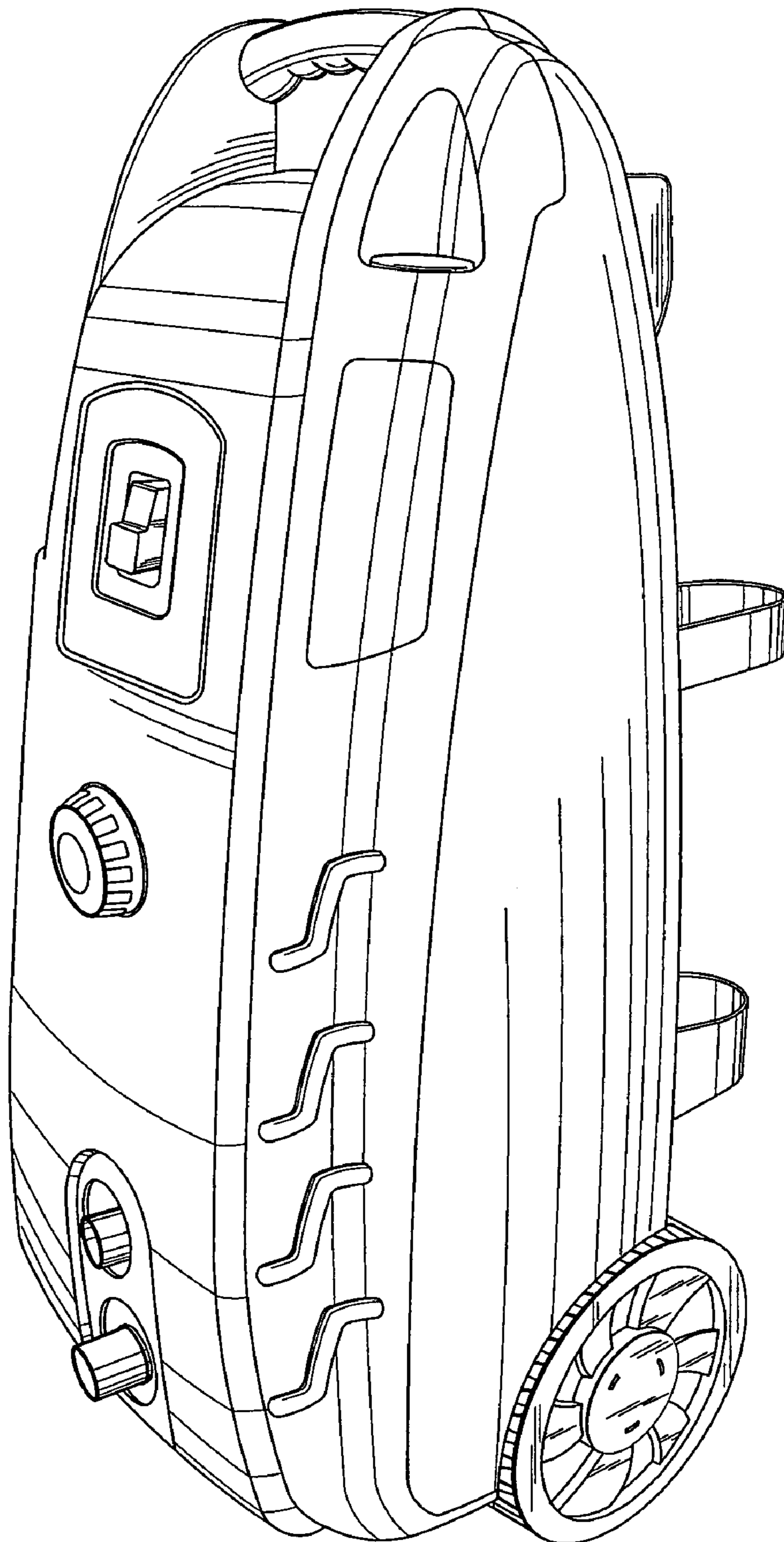


FIG. 2

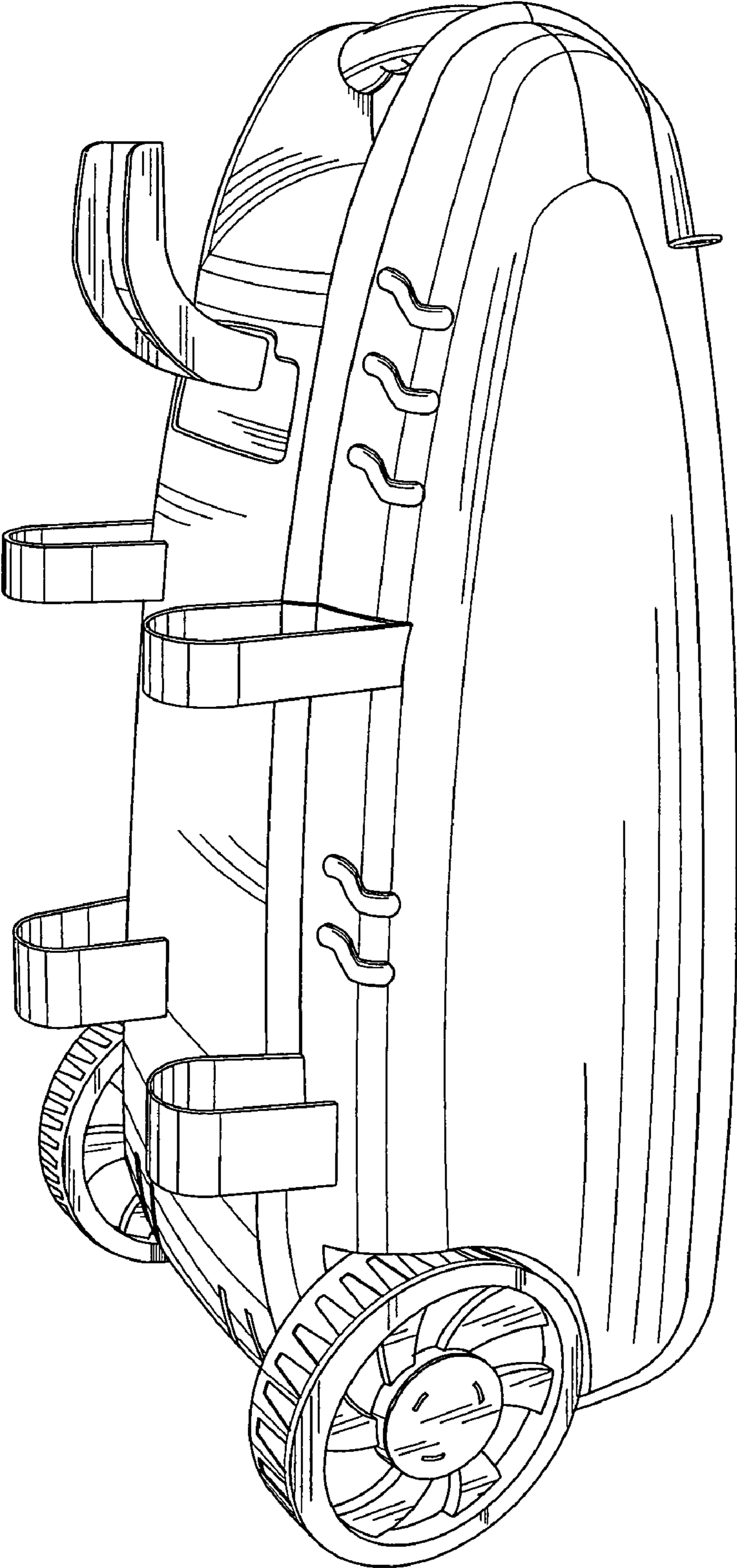


FIG. 3

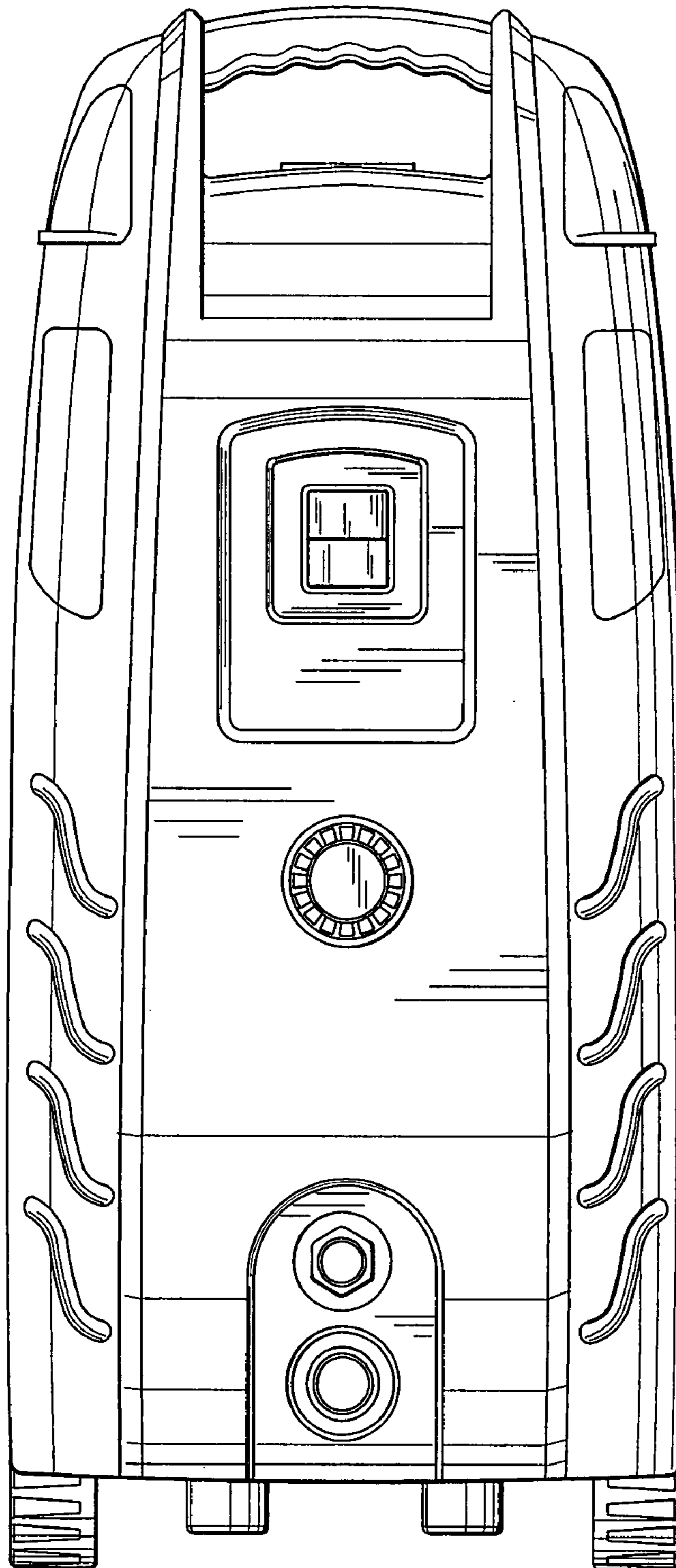


FIG. 4

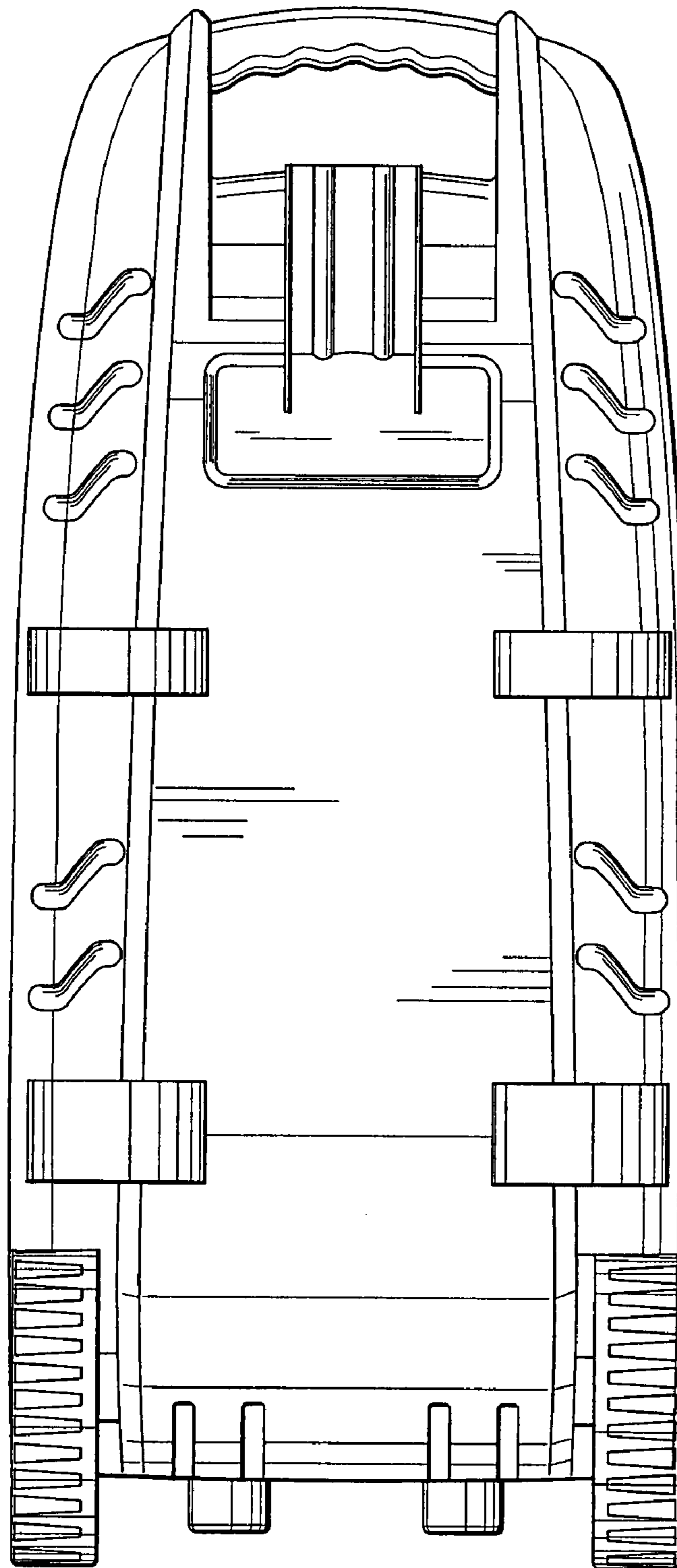


FIG. 5

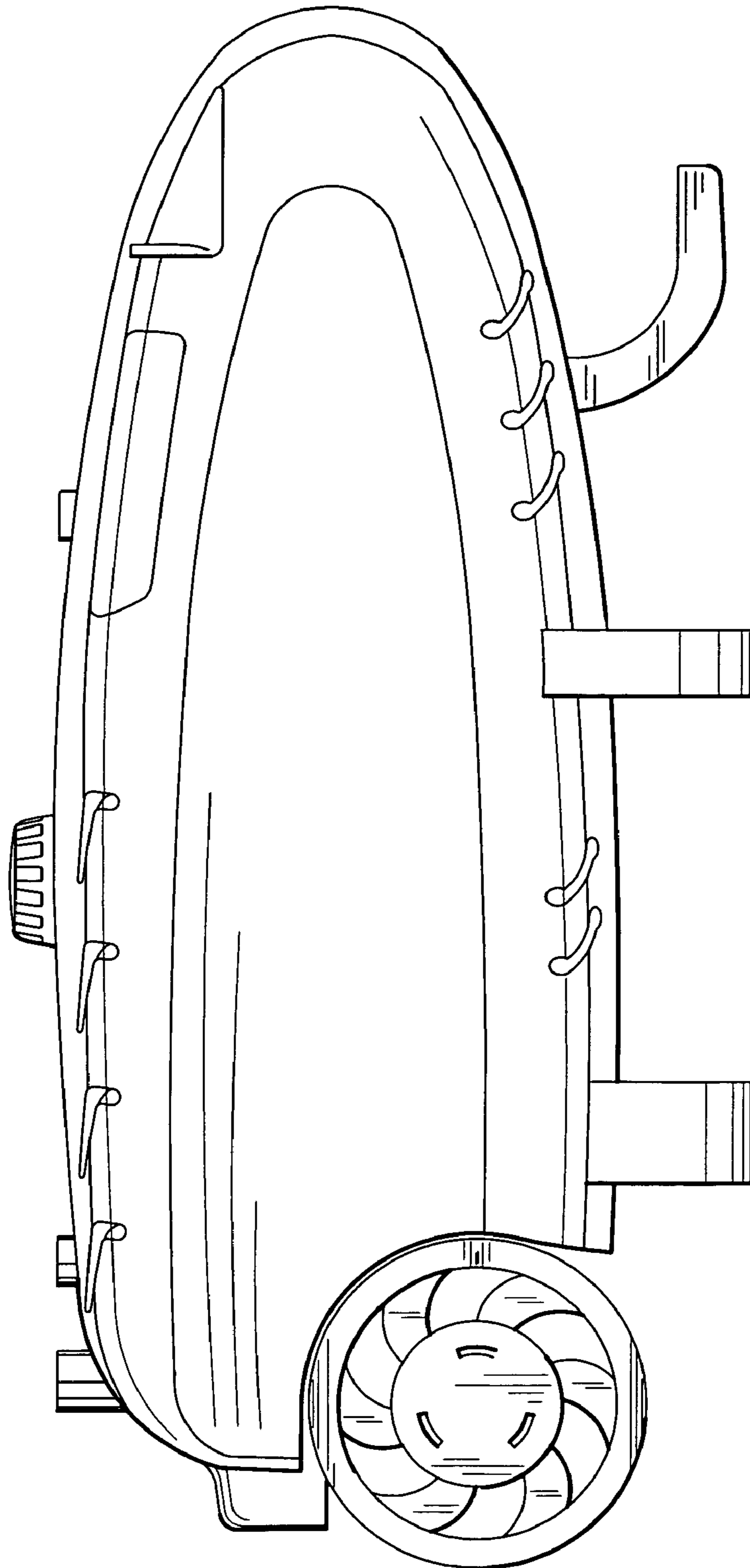


FIG. 6

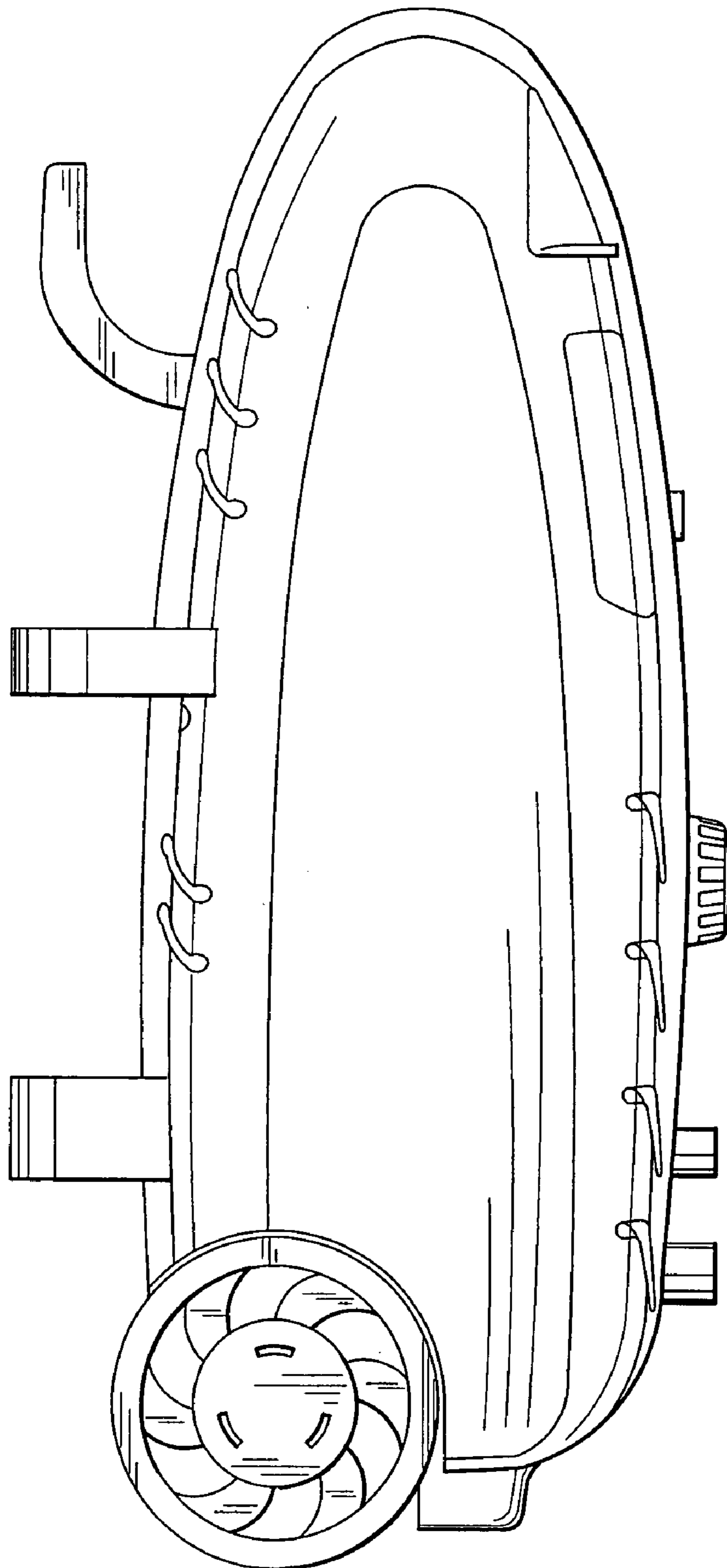


FIG. 7

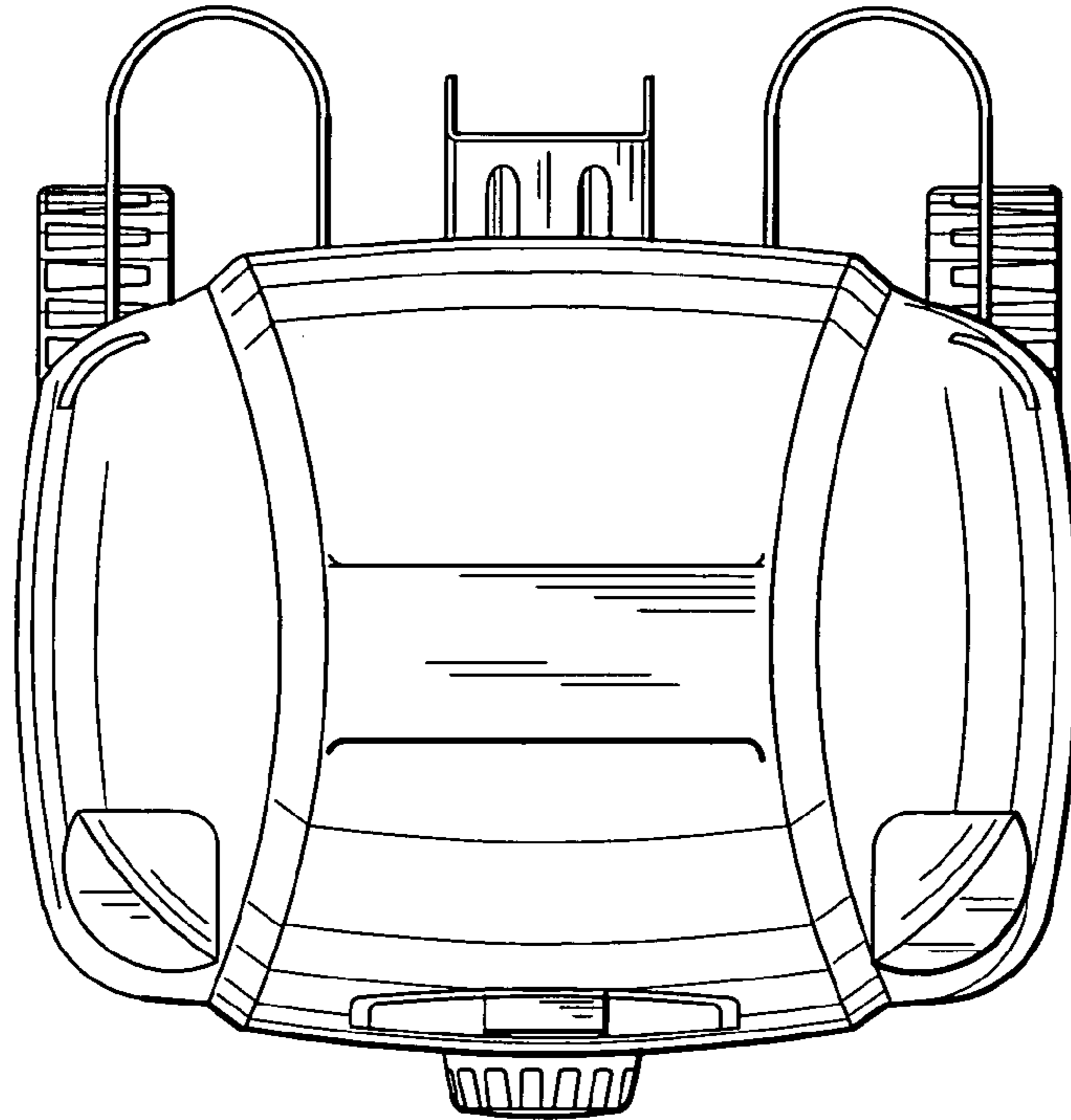


FIG. 8

