



US00D568547S

(12) **United States Design Patent**
Yanick

(10) **Patent No.:** **US D568,547 S**

(45) **Date of Patent:** **** May 6, 2008**

(54) **BIRD FEEDER**

D377,813 S * 2/1997 Hartman et al. D21/511
5,826,539 A 10/1998 Bloedorn

(76) Inventor: **Jeffrey S. Yanick**, 23250 Buchanan Rd., Stanwood, MI (US) 49346

(Continued)

(**) Term: **14 Years**

Primary Examiner—Melanie Tung
Assistant Examiner—Susan Moon Lee

(21) Appl. No.: **29/250,771**

(74) *Attorney, Agent, or Firm*—Price, Heneveld, Cooper, DeWitt & Litton LLP

(22) Filed: **Nov. 30, 2006**

(51) **LOC (8) Cl.** **30-03**

(52) **U.S. Cl.** **D30/125; D30/124; D30/126**

(58) **Field of Classification Search** D30/108,
D30/110, 121, 124–128, 133; 119/51.01,
119/52.2–52.4, 57.8, 57.9, 428, 429, 433,
119/53; 52/233; 446/105, 85, 123, 110,
446/127; 403/381; D21/511; D25/23
See application file for complete search history.

(57) **CLAIM**

I claim the ornamental design for a bird feeder, as shown.

DESCRIPTION

FIG. 1 is a top perspective view of the bird feeder of the present invention.

FIG. 2 is a top exploded perspective view of the bird feeder of the present invention.

FIG. 3 is a front elevational view of the bird feeder of the present invention.

FIG. 4 is a right side elevational view of the bird feeder of the present invention.

FIG. 5 is a back side elevational view of the bird feeder of the present invention.

FIG. 6 is a left side elevational view of the bird feeder of the present invention.

FIG. 7 is a top plan view of the bird feeder of the present invention.

FIG. 8 is a bottom plan view of the bird feeder of the present invention.

FIG. 9 is a top perspective view of the bottom piece of the bird feeder of the present invention shown alone for clarity; and,

FIG. 10 is a top plan view of the bottom piece of the bird feeder of the present invention shown alone for clarity.

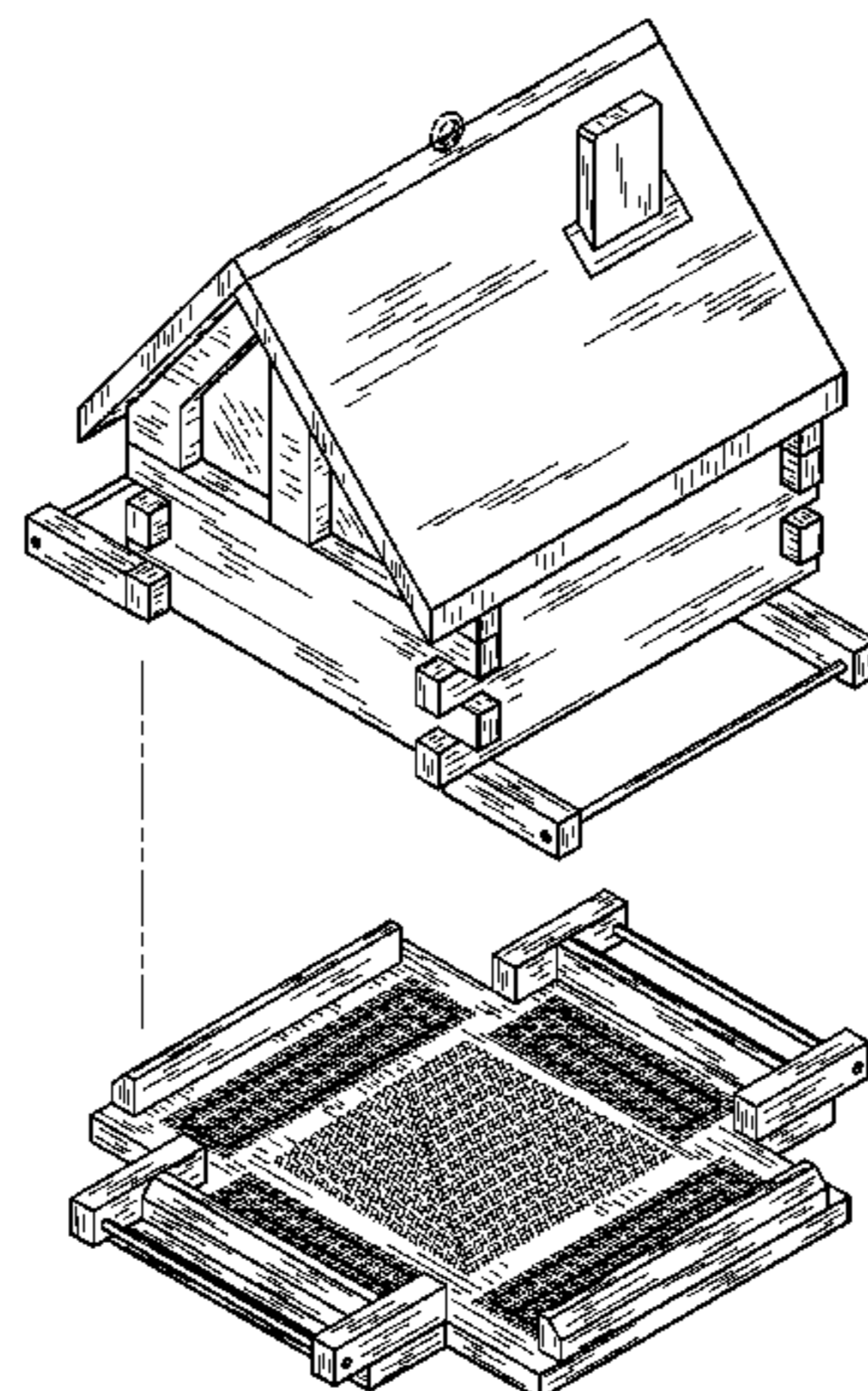
The portions shown in broken line are for illustrative purposes only and form no part of the claimed design.

(56) **References Cited**

U.S. PATENT DOCUMENTS

1,710,947	A *	4/1929	Payne	119/428
1,936,571	A *	11/1933	Bumann	446/123
D120,350	S	5/1940	Moore		
2,680,327	A *	6/1954	Harper	446/105
D175,677	S *	9/1955	Gallo	D30/126
D186,605	S *	11/1959	Malloy	D30/126
3,124,103	A *	3/1964	Stainbrook	119/52.3
3,157,159	A *	11/1964	Koistinen et al.	119/52.2
D214,173	S *	5/1969	Garten	D30/126
D240,743	S	7/1976	Renfro		
4,204,500	A	5/1980	Podjan		
D269,468	S *	6/1983	Babcock et al.	D30/110
4,649,865	A *	3/1987	Riggi	119/57.9
D289,209	S *	4/1987	Erichsen	D30/125
4,867,104	A	9/1989	Vandiver		
5,048,461	A *	9/1991	Wessner	119/52.3
5,078,098	A	1/1992	Ragen		
D328,655	S	8/1992	Embree		
5,134,970	A *	8/1992	Oh	119/428
D347,599	S *	6/1994	Johnson et al.	D11/130.1
5,354,223	A	10/1994	Wawzonek		
5,361,723	A	11/1994	Burleigh		
D364,010	S	11/1995	Wawzonek		
5,471,951	A *	12/1995	Collins	119/57.9

1 Claim, 6 Drawing Sheets



US D568,547 S

Page 2

U.S. PATENT DOCUMENTS

5,924,381 A	7/1999	Bloedorn		6,450,120 B1	9/2002	Nylen	
5,927,231 A	7/1999	Bloedorn		6,481,375 B1	11/2002	Scalf	
D420,470 S *	2/2000	Kolozsvari et al.	D30/108	6,691,641 B2	2/2004	Scalf	
6,095,087 A	8/2000	Bloedorn		2003/0051671 A1 *	3/2003	Leonard	119/52.2
D444,598 S	7/2001	McNeely et al.		2003/0226513 A1	12/2003	Swift et al.	
6,269,771 B1 *	8/2001	Cotter	119/57.9	2004/0079290 A1	4/2004	Swift et al.	
6,401,658 B1 *	6/2002	Teets	119/57.9	2005/0139163 A1	6/2005	Swift et al.	
D462,486 S	9/2002	Razor					

* cited by examiner

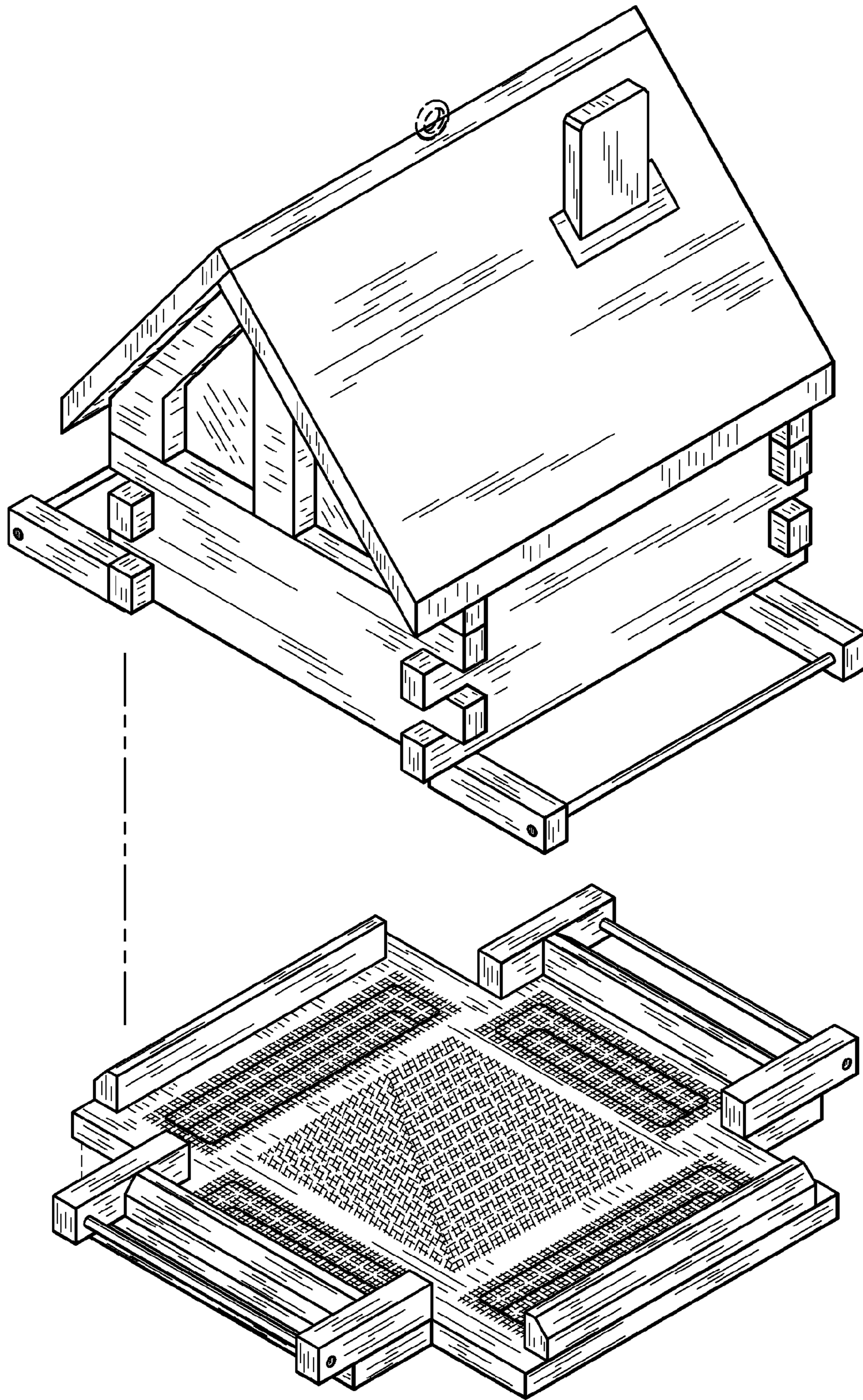


FIG. 1

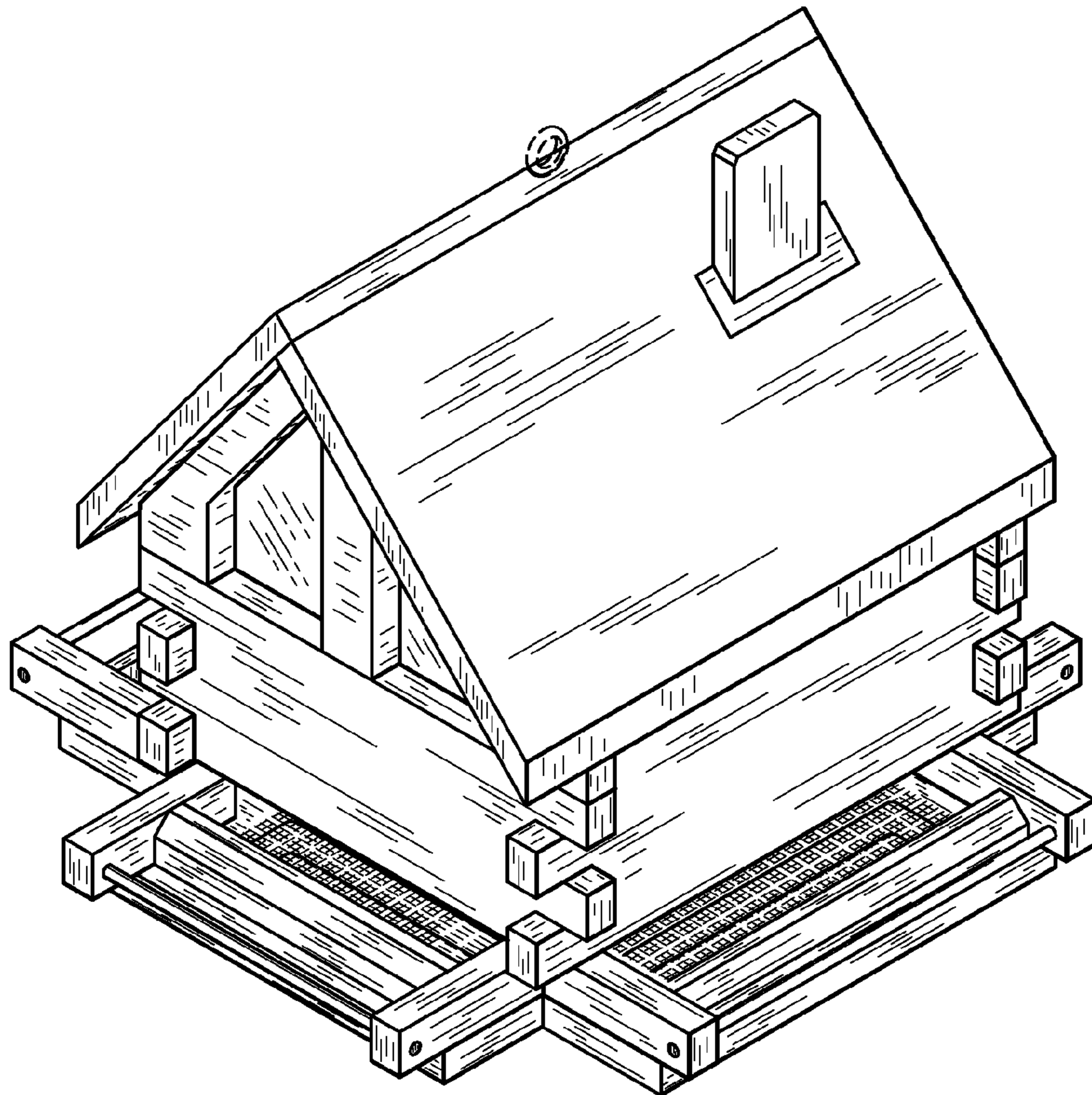


FIG. 2

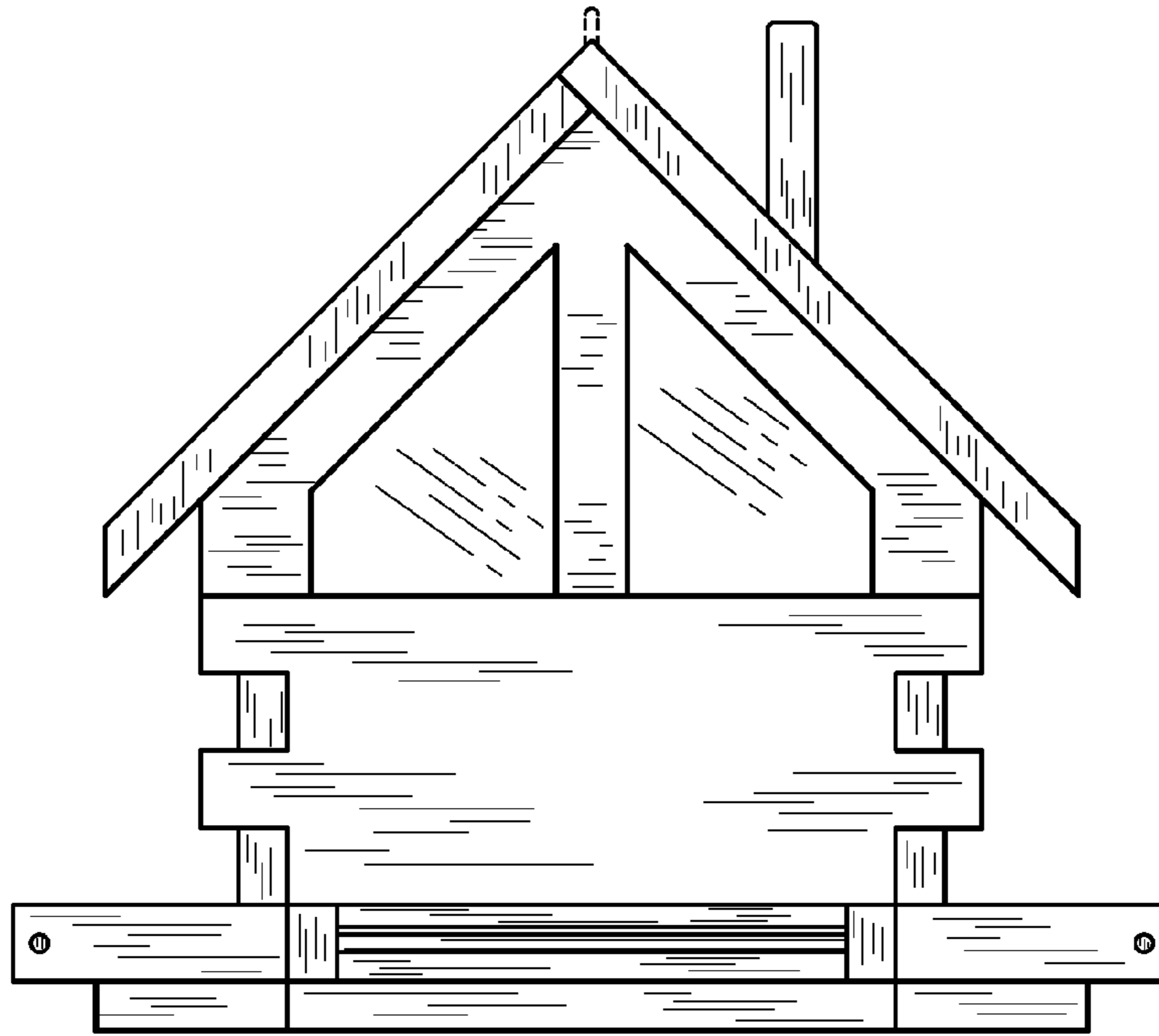


FIG. 3

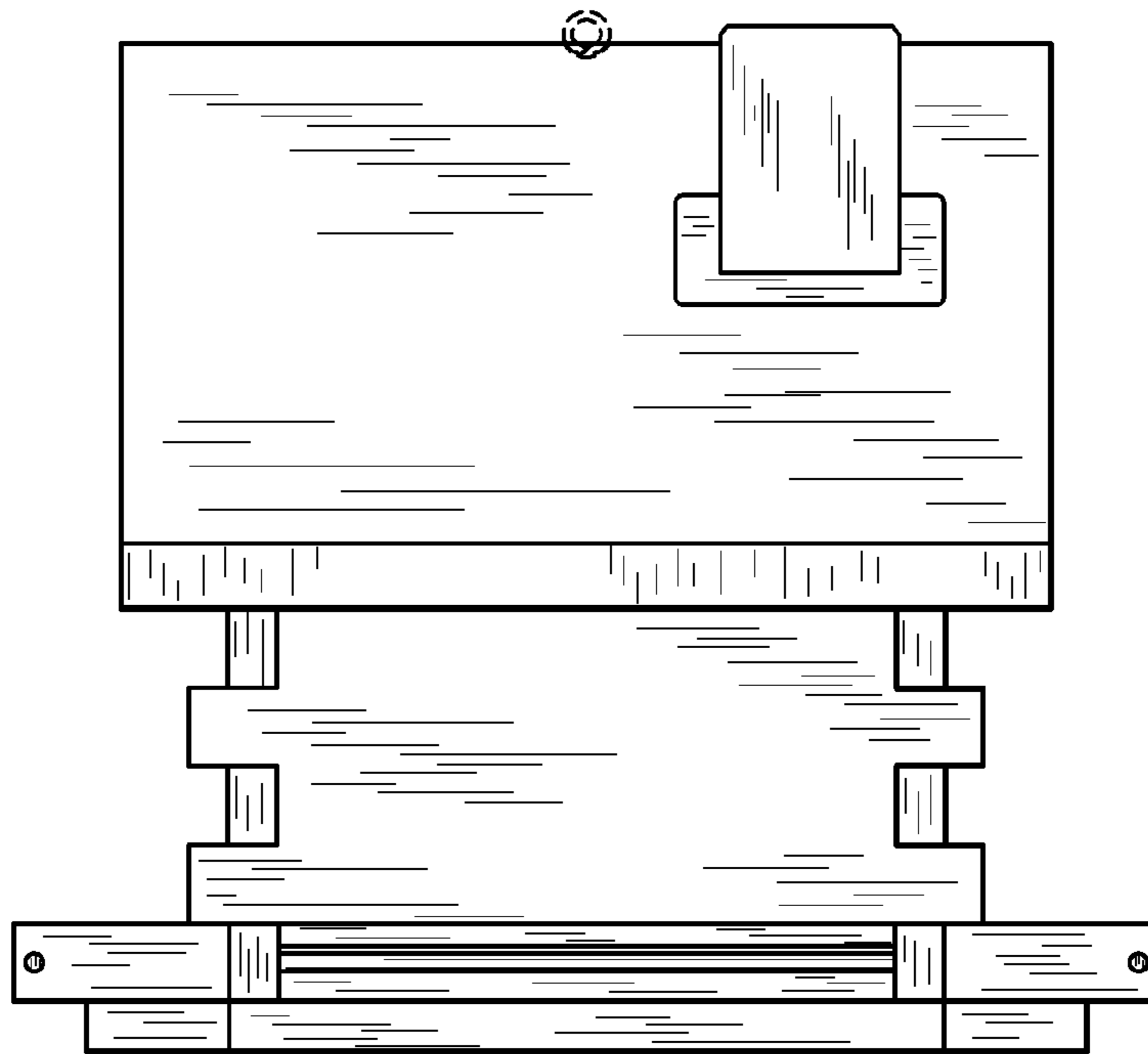


FIG. 4

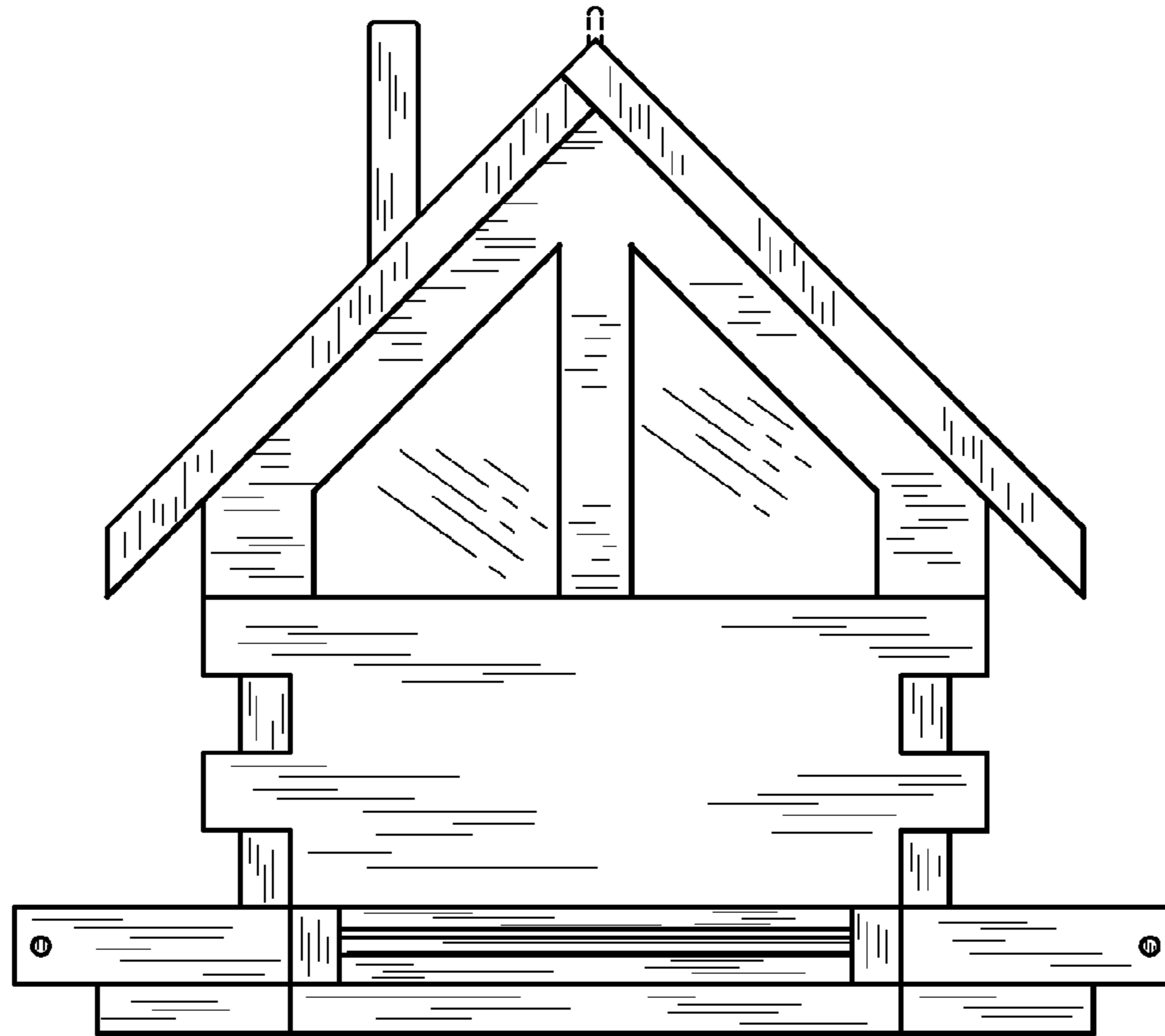


FIG. 5

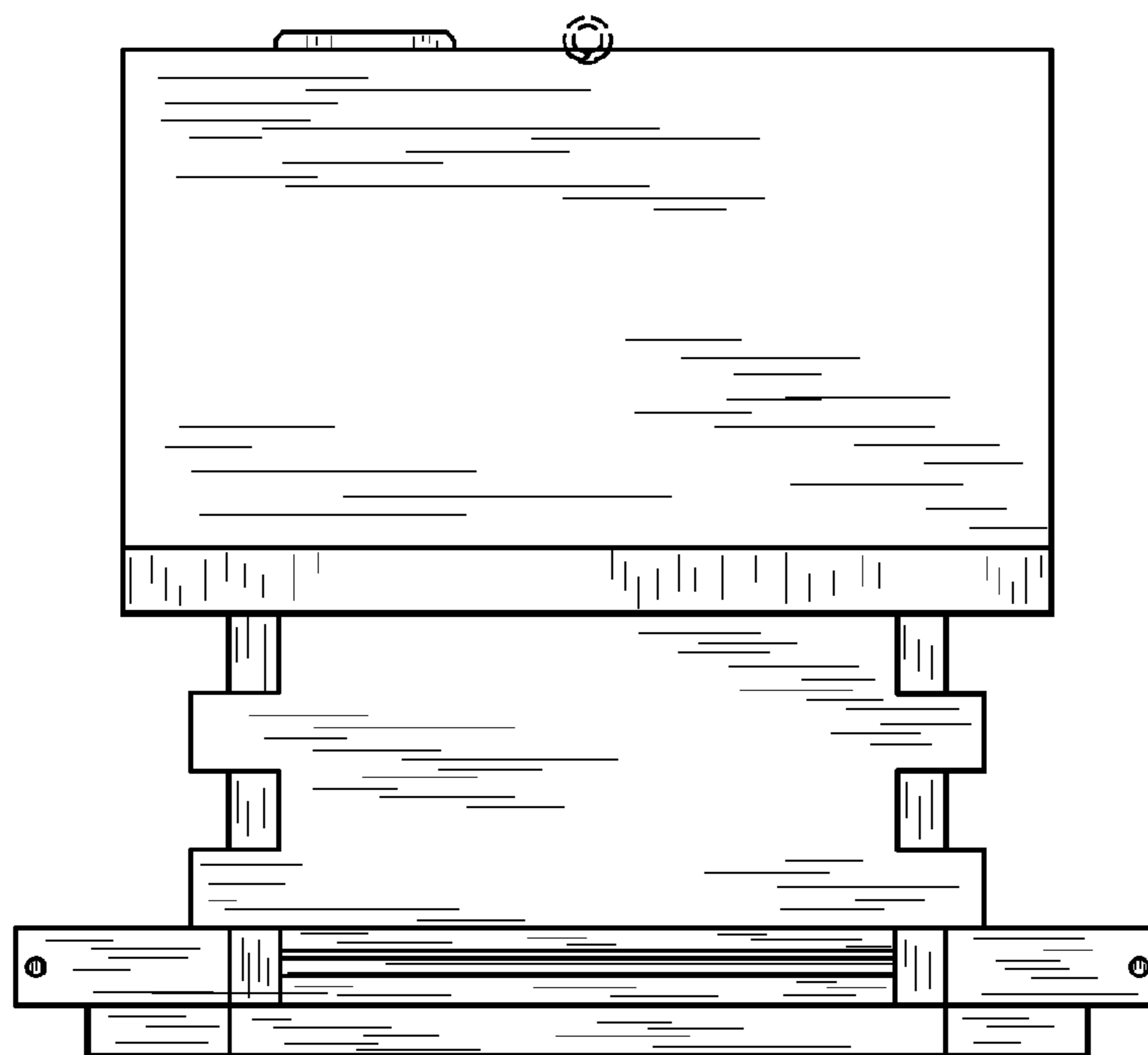


FIG. 6

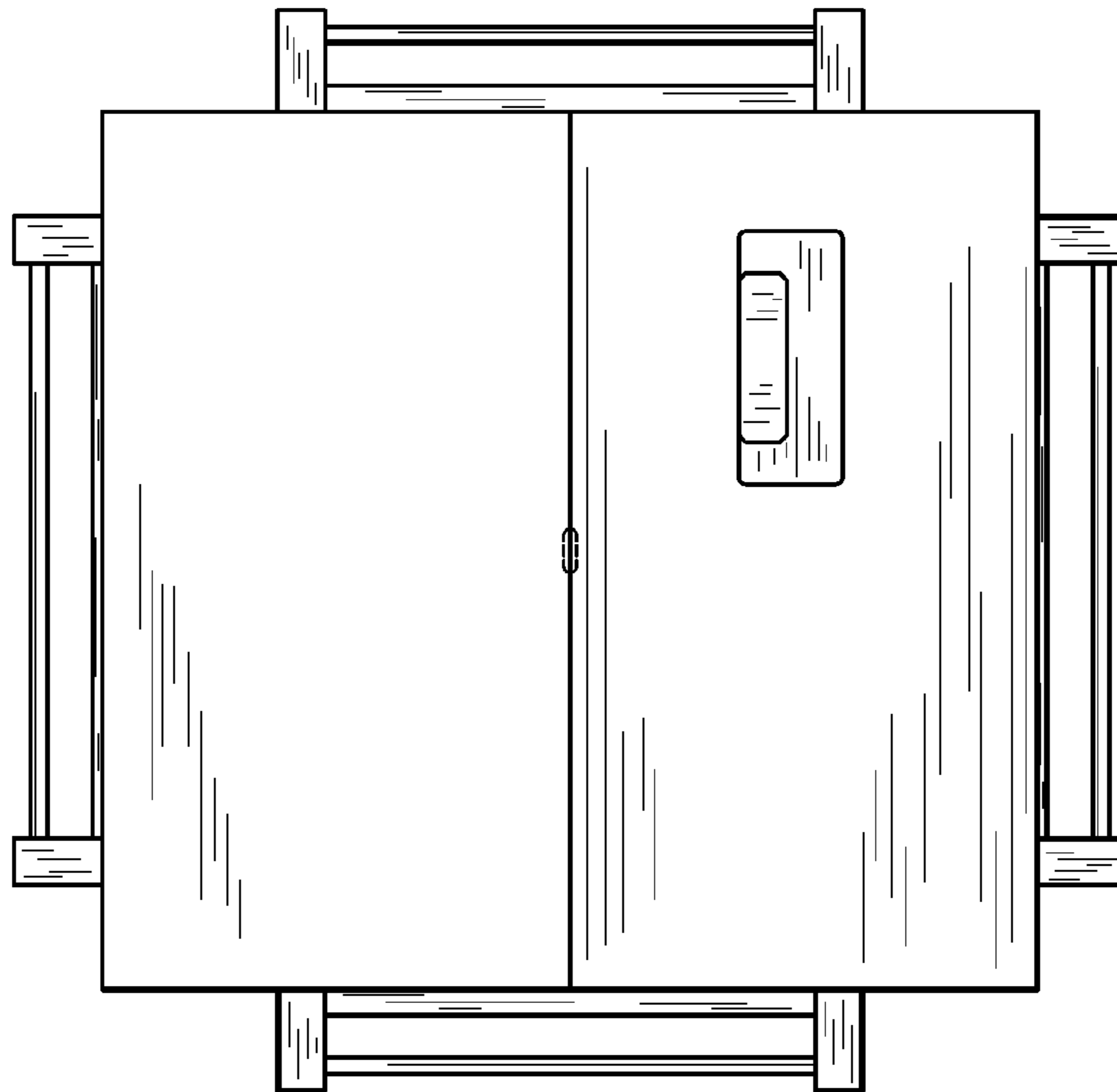


FIG. 7

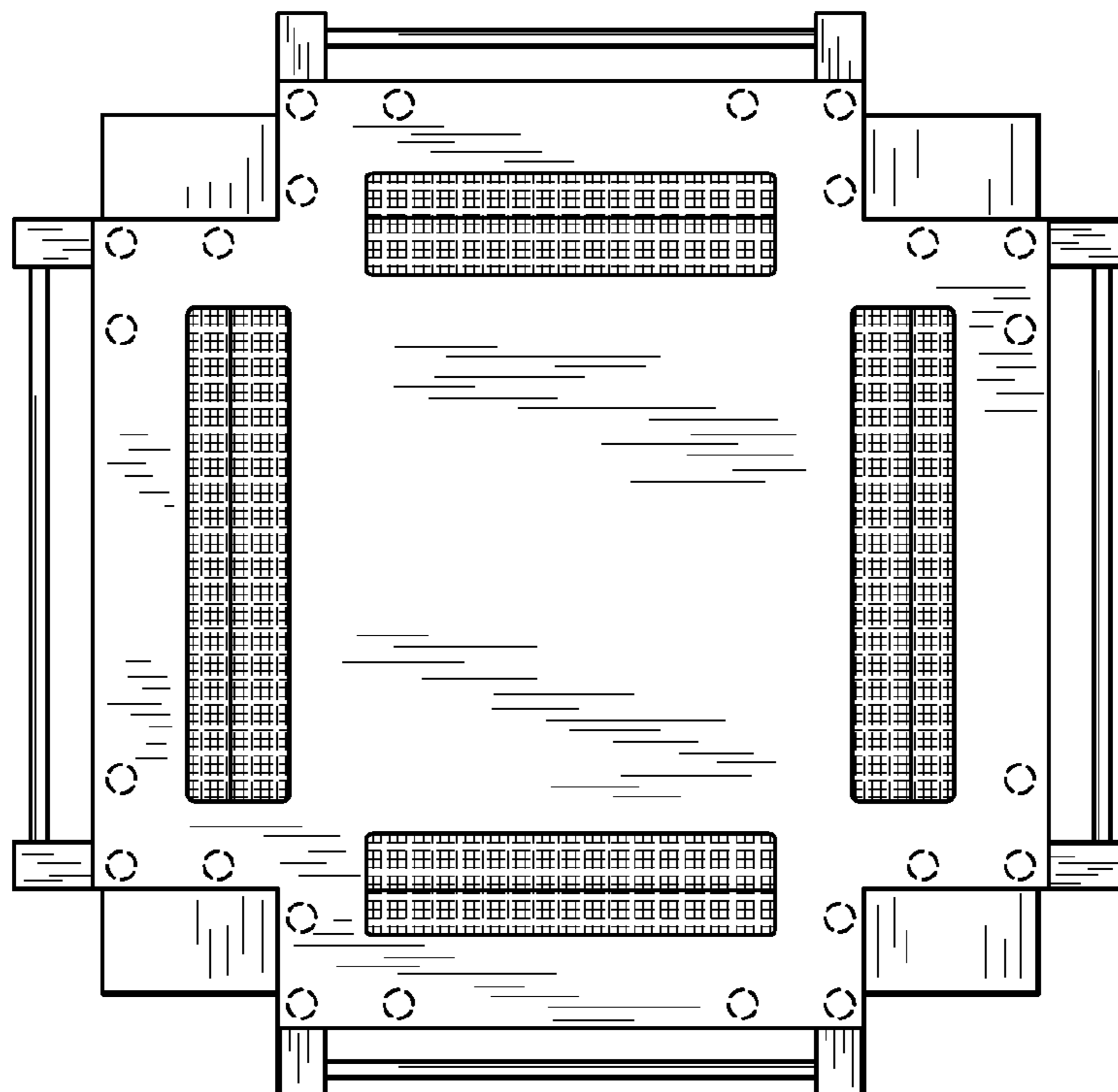


FIG. 8

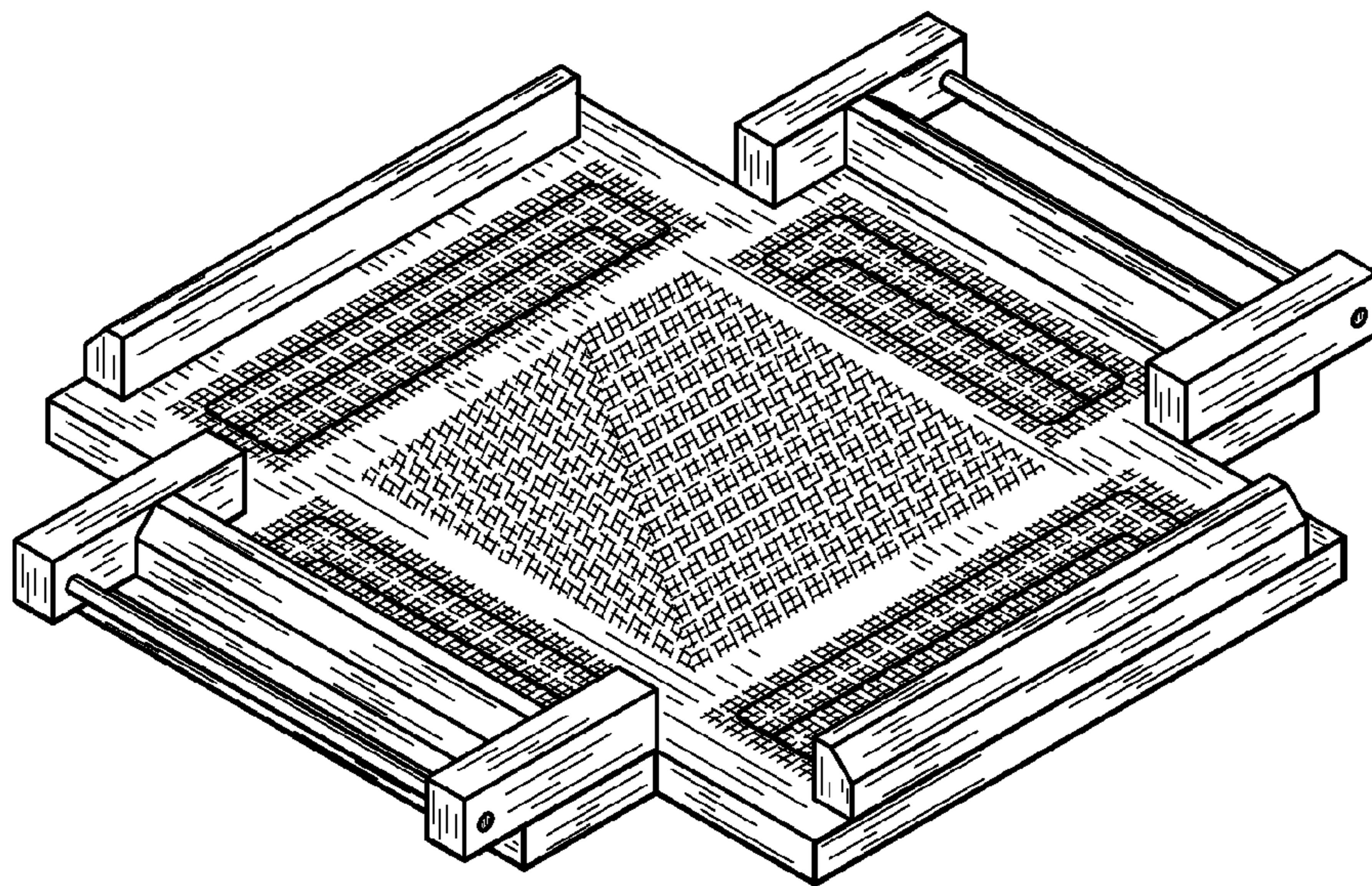


FIG. 9

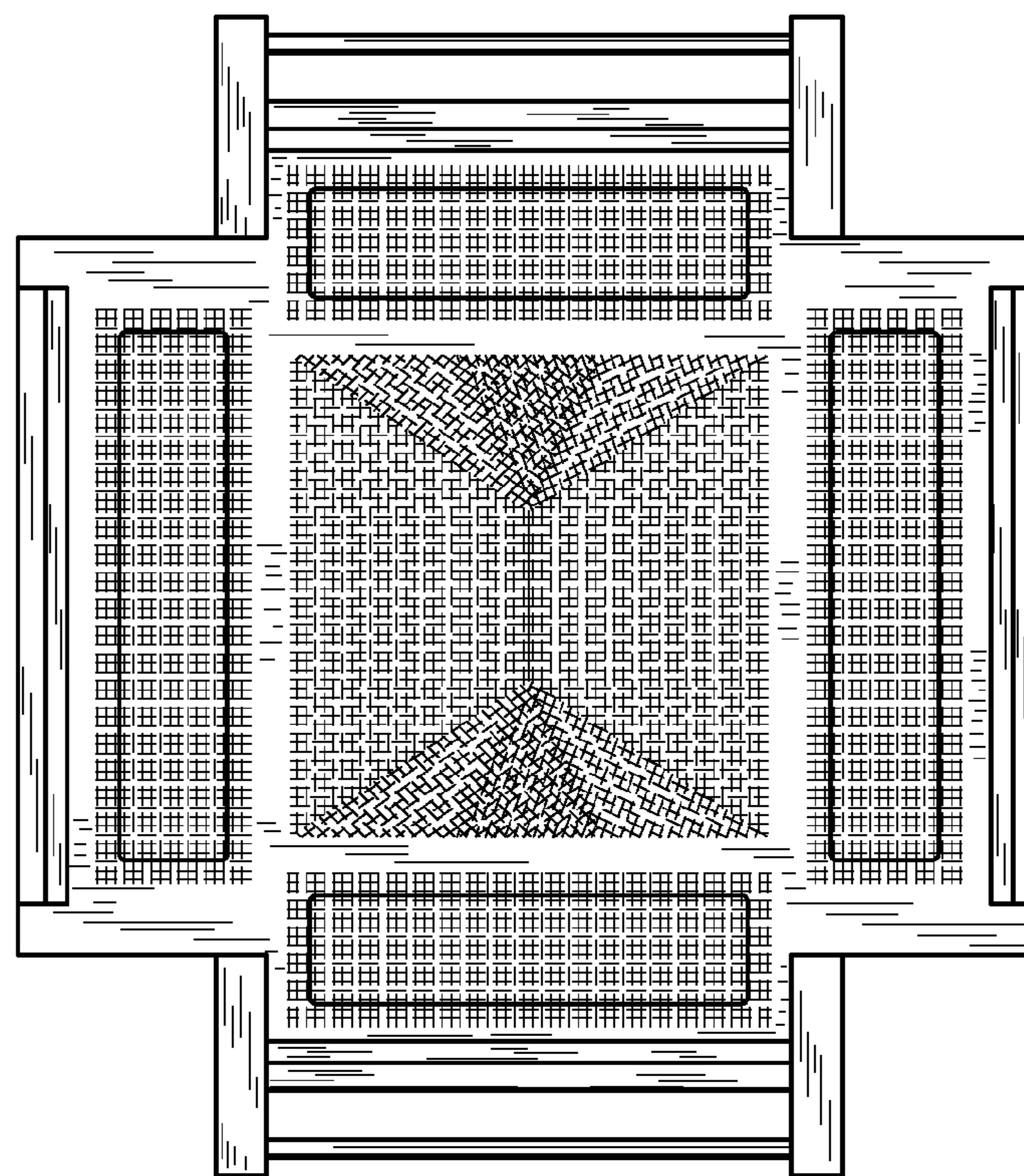


FIG. 10