



US00D568546S

(12) **United States Design Patent**  
**Mehrabani**

(10) **Patent No.:** **US D568,546 S**

(45) **Date of Patent:** **\*\* May 6, 2008**

(54) **INFANT HAND AND KNEE COVERING COMBINATION**

6,332,224 B1 12/2001 Walker et al.  
6,475,197 B1 \* 11/2002 Krzysik et al. .... 604/304  
2003/0070204 A1 4/2003 Summers

(76) Inventor: **Bitia Mehrabani**, 11 Coastal Oak, Aliso Viejo, CA (US) 92656

\* cited by examiner

(\*\*) Term: **14 Years**

*Primary Examiner*—Robert A Delehanty

(21) Appl. No.: **29/281,366**

(57) **CLAIM**

(22) Filed: **Jun. 21, 2007**

The ornamental design for an infant hand and knee covering combination, as shown and described.

(51) **LOC (8) Cl.** ..... **29-02**

(52) **U.S. Cl.** ..... **D29/117.2; D29/121.1**

(58) **Field of Classification Search** ..... D2/610, D2/612, 614–623; D29/113, 116.2, 117.1–119, D29/123, 121.1; 2/16, 159, 161.1–161.8, 2/162, 198; D24/190; D28/63; D32/42–43  
See application file for complete search history.

**DESCRIPTION**

(56) **References Cited**

**U.S. PATENT DOCUMENTS**

D54,333 S	12/1919	Reynolds	
2,794,982 A	6/1957	Kay	
4,577,625 A *	3/1986	Lohati et al. ....	601/128
4,691,387 A	9/1987	Lopez	
4,809,366 A *	3/1989	Pratt .....	2/170
4,879,765 A	11/1989	Bailie et al.	
5,819,312 A	10/1998	Snyder et al.	
5,978,962 A	11/1999	Hamowy	
5,987,643 A	11/1999	Beutler	
D431,883 S	10/2000	Obadiaru et al.	

FIG. 1 is a front elevated view of an infant hand and knee covering combination showing my new design and only showing the left hand covering wherein a right hand covering would be a mirror image of said left hand covering; FIG. 2 is a rear elevated view of the infant hand and knee covering combination; FIG. 3 is a right side elevated view of the infant hand and knee covering combination; FIG. 4 is a left side elevated view of the infant hand and knee covering combination; FIG. 5 is a top plan view of the infant hand and knee covering combination; and, FIG. 6 is a bottom plan view of the infant hand and knee covering combination.

**1 Claim, 3 Drawing Sheets**

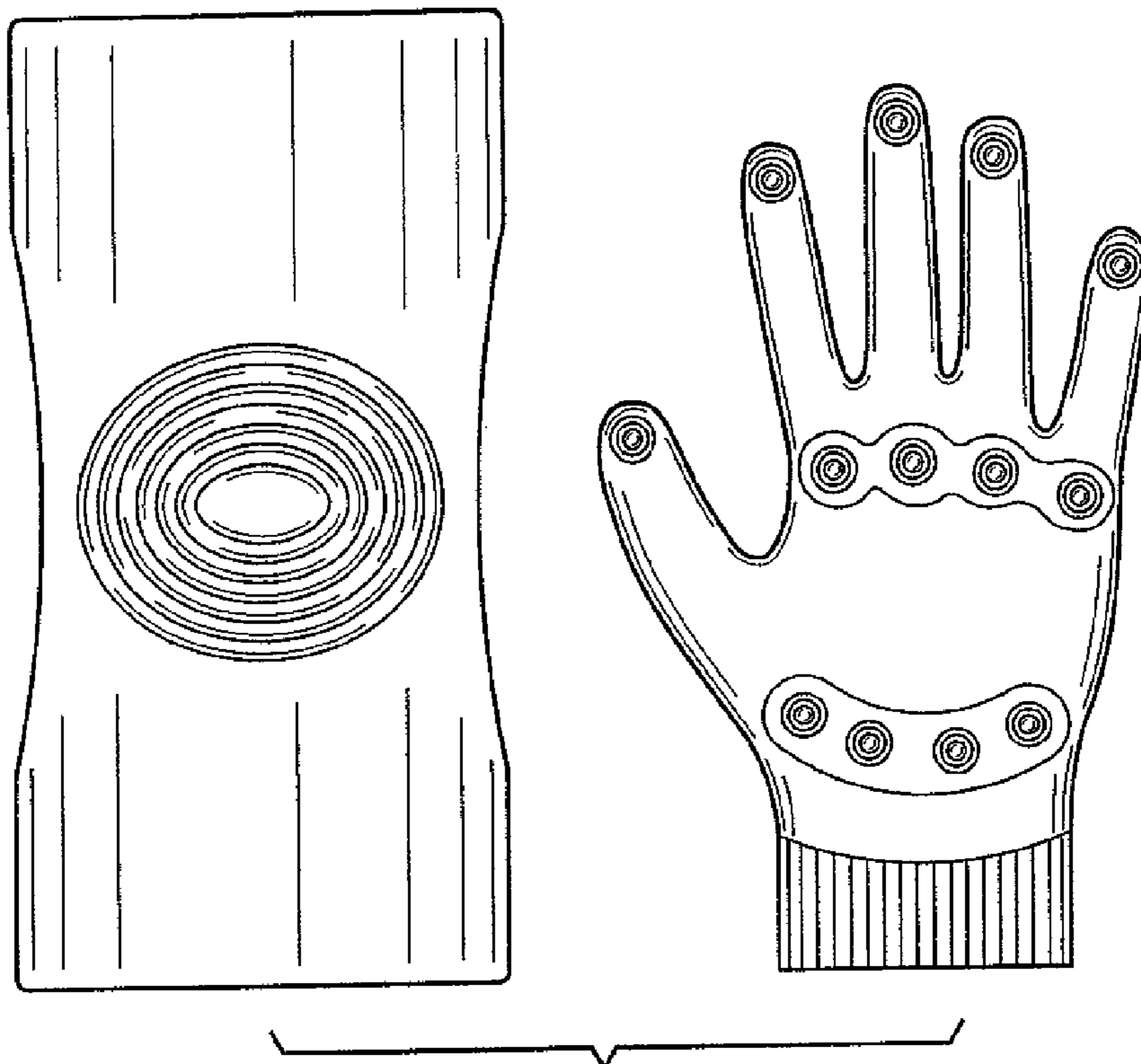


FIG. 1

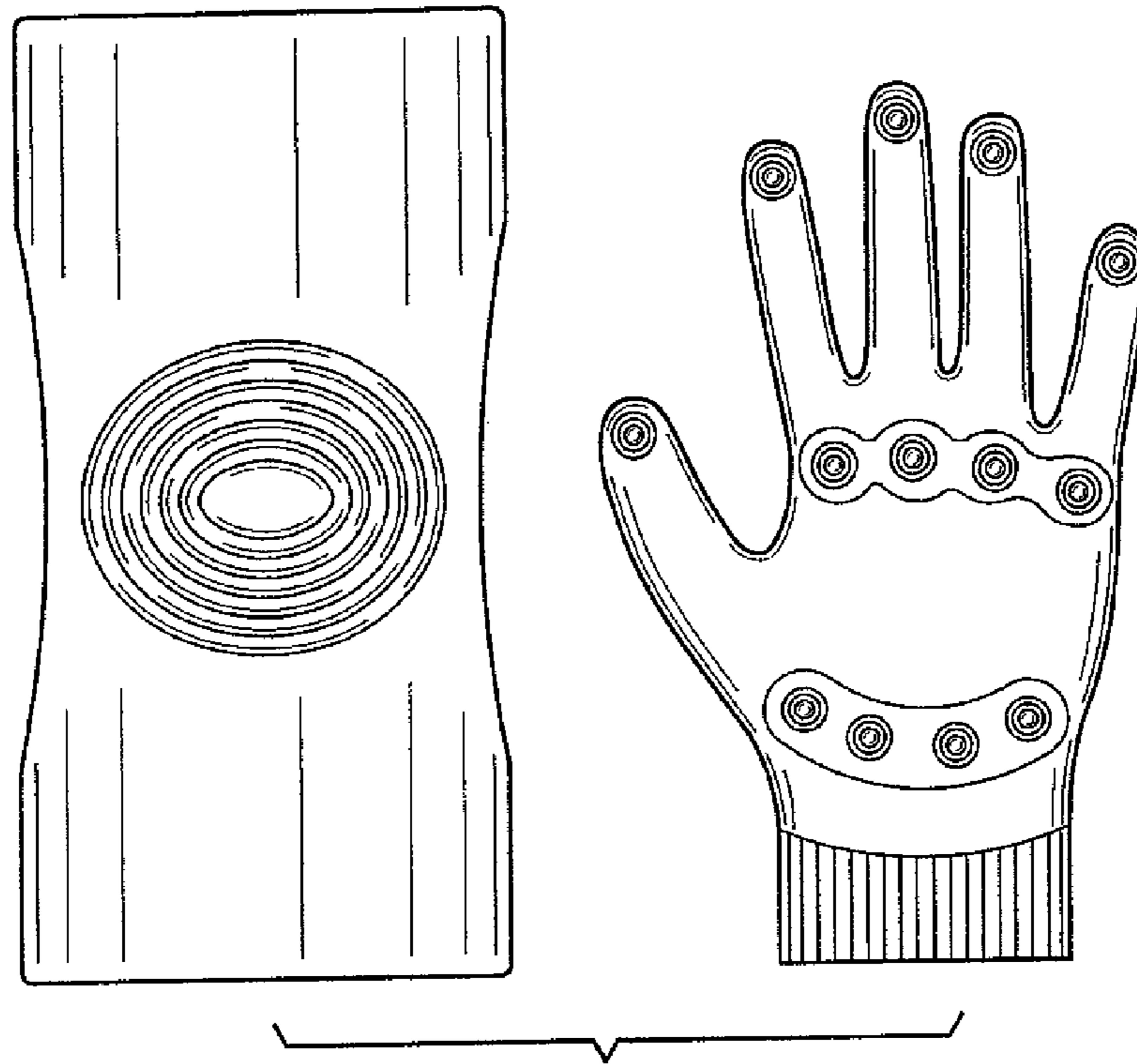
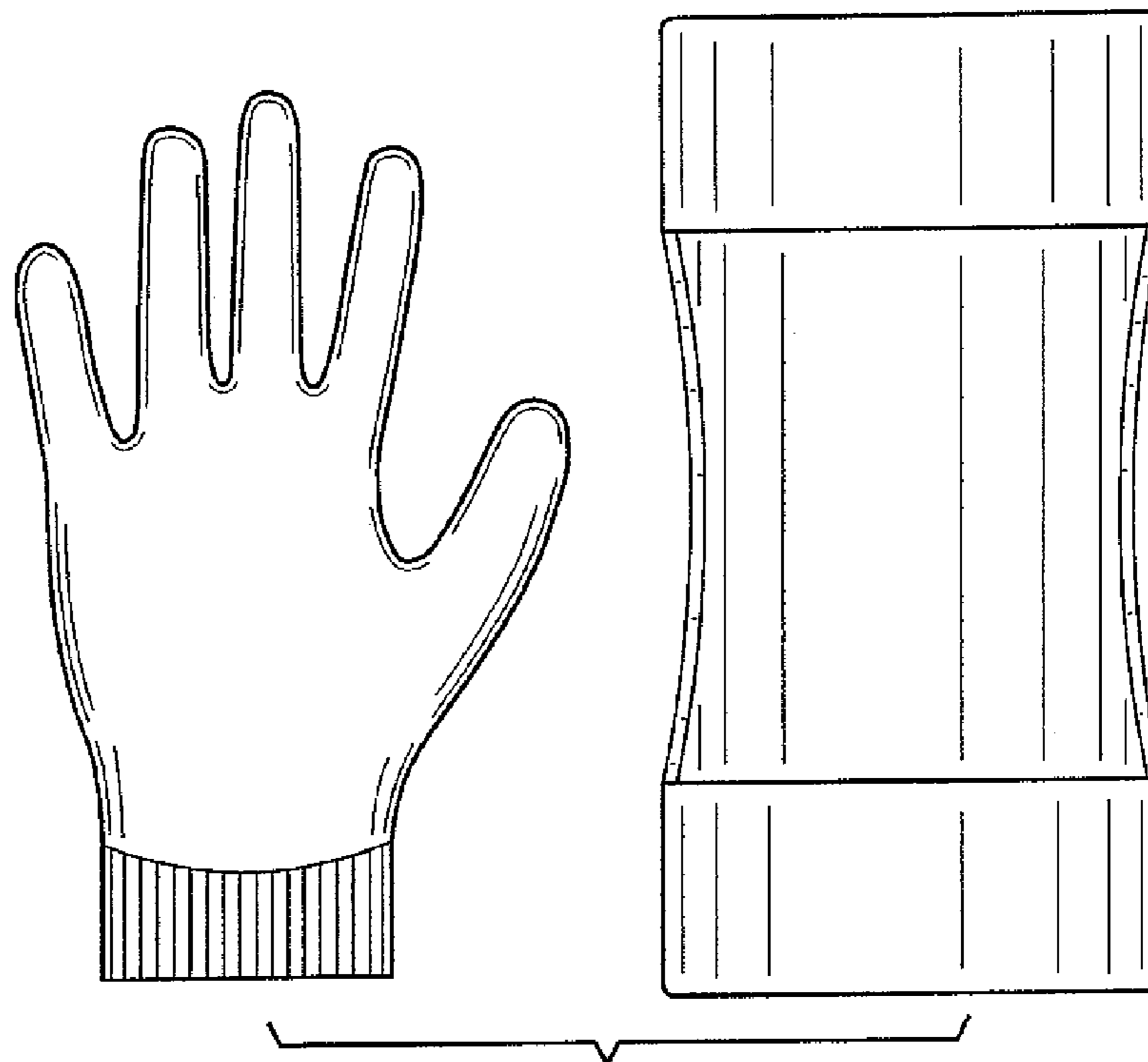


FIG. 2



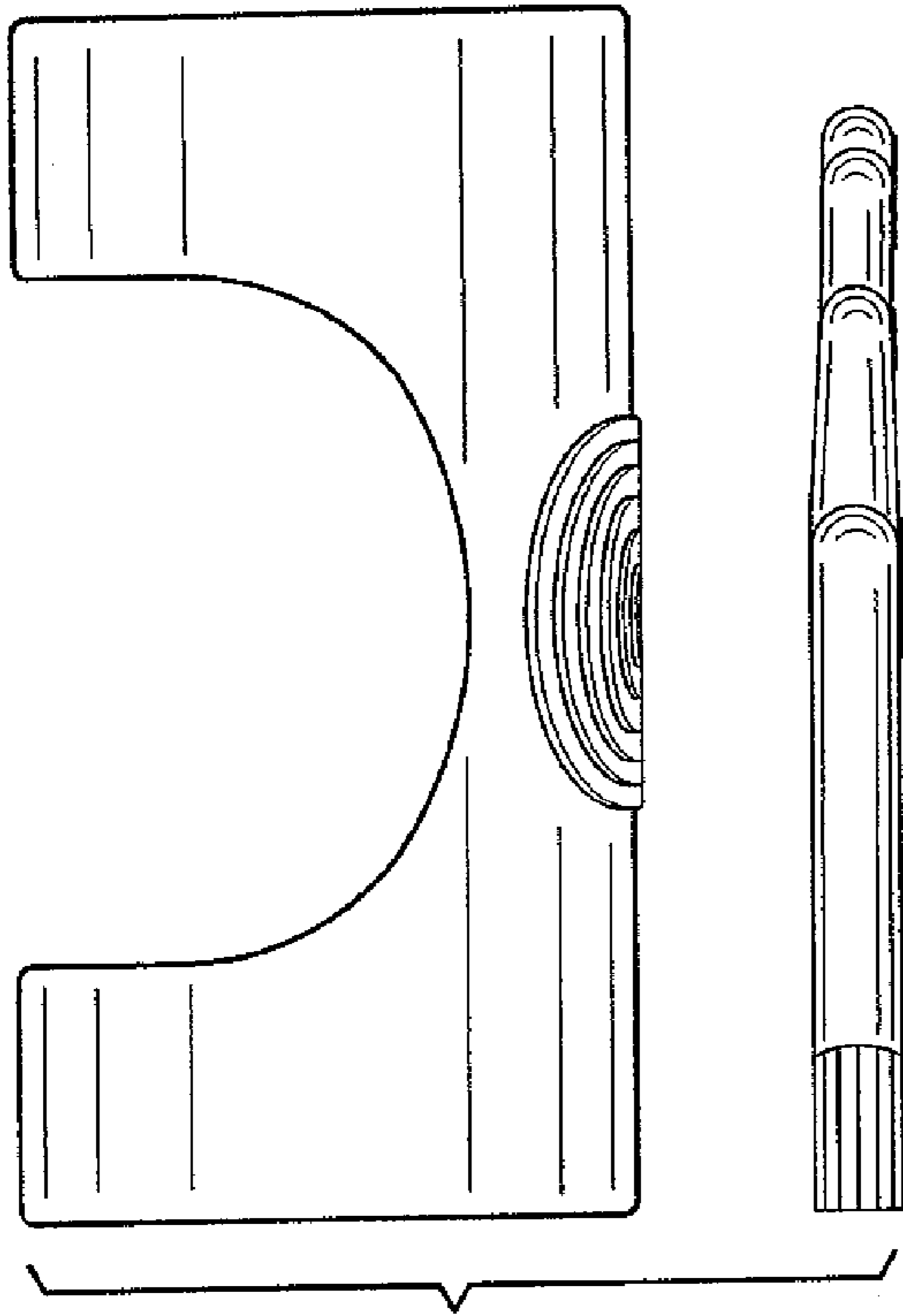
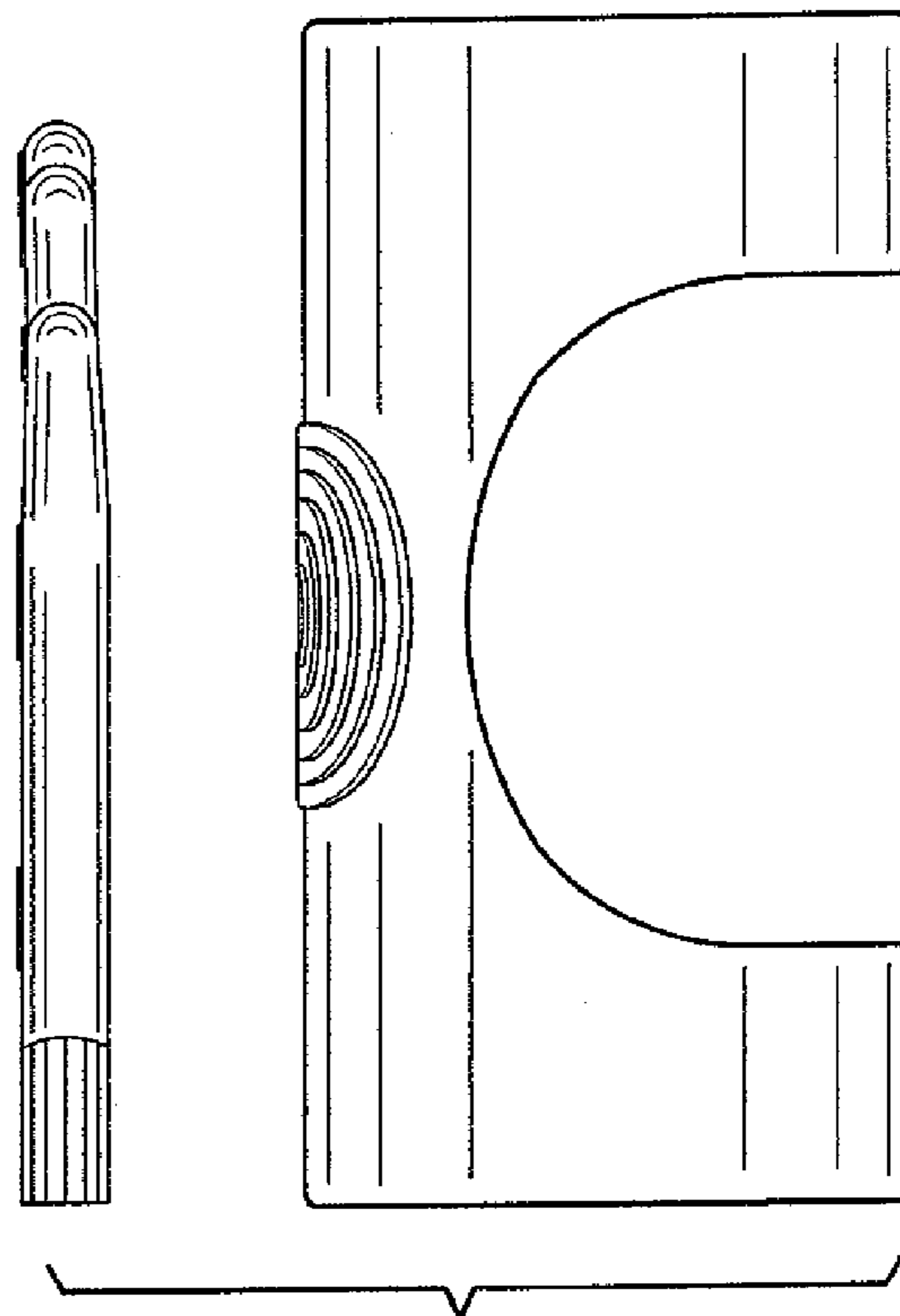


FIG. 3

FIG. 4



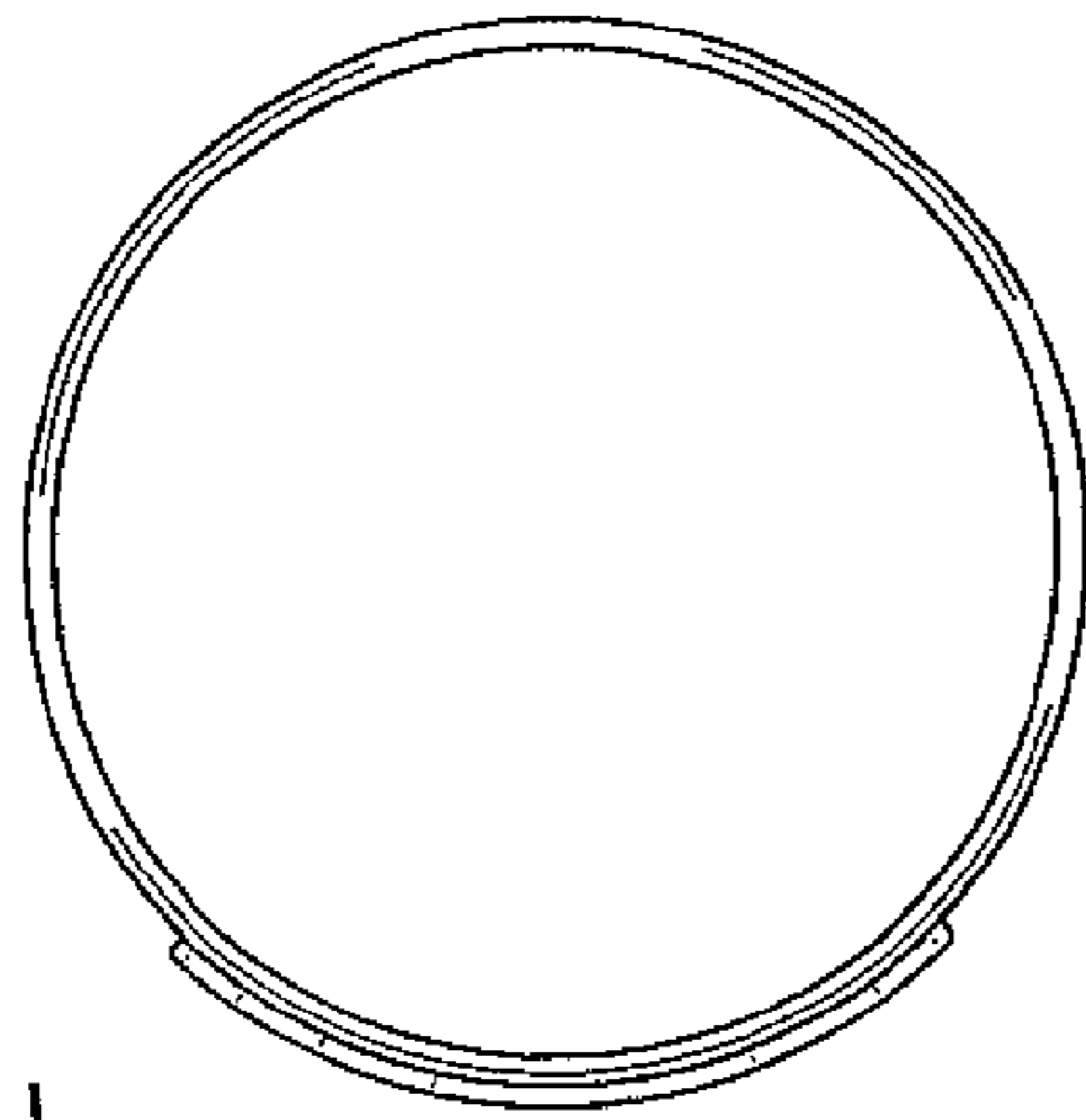


FIG. 5

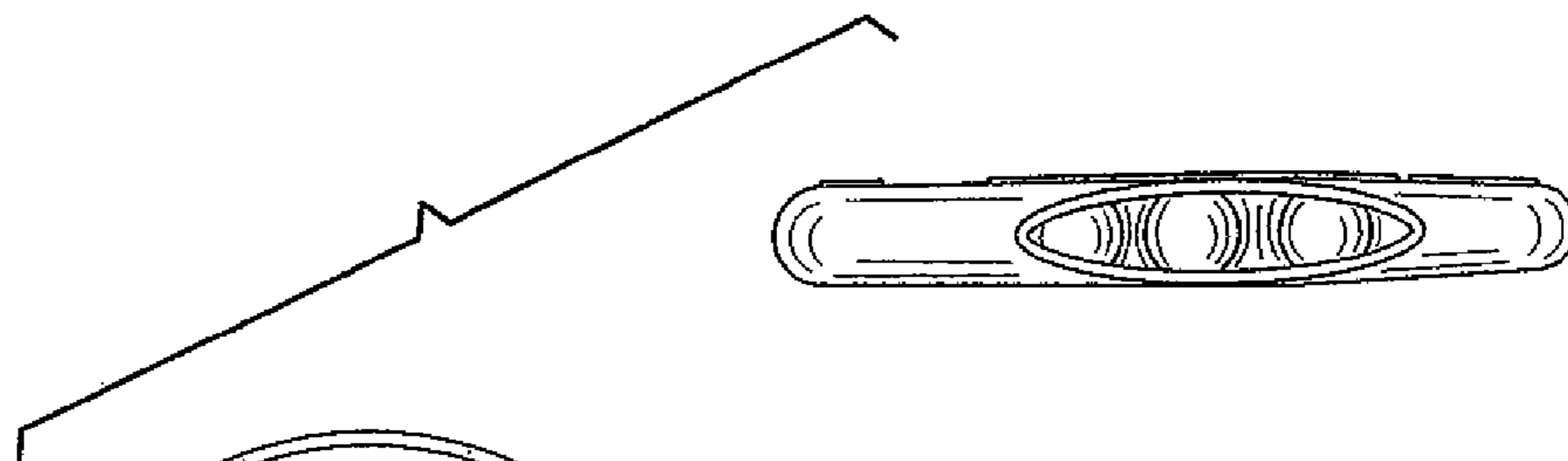
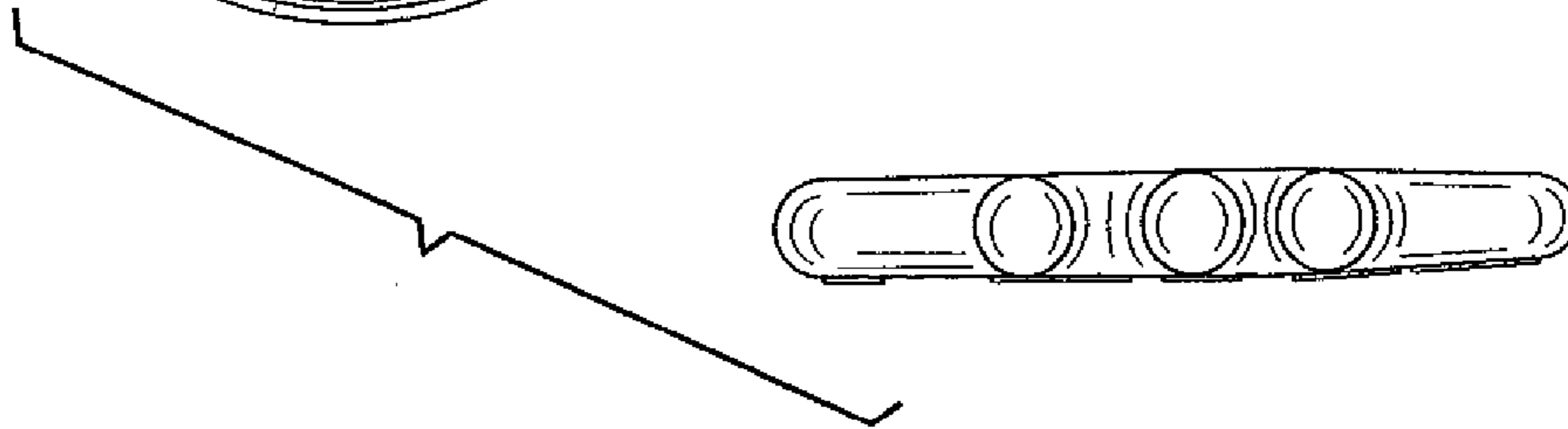


FIG. 6

