



US00D568543S

(12) **United States Design Patent**  
**Jan**

(10) **Patent No.:** **US D568,543 S**

(45) **Date of Patent:** **\*\* May 6, 2008**

(54) **EYEBROW BEAUTIFYING MACHINE**

(76) Inventor: **Ling-Li Jan**, 235 Chung-Ho Box 8-24,  
Taipei (TW)

(\*\*) Term: **14 Years**

(21) Appl. No.: **29/264,573**

(22) Filed: **Aug. 14, 2006**

(51) **LOC (8) Cl.** ..... **28-03**

(52) **U.S. Cl.** ..... **D28/55; D28/9**

(58) **Field of Classification Search** ..... D24/133,  
D24/146; D28/9-10, 55, 57; 600/186; 606/210-211,  
606/133, 186

See application file for complete search history.

(56) **References Cited**

**U.S. PATENT DOCUMENTS**

2,287,260	A	*	6/1942	Luck	.....	D24/146
D146,082	S	*	12/1946	Hunan	.....	D24/146
D219,979	S	*	2/1971	Coss	.....	D24/146
D266,109	S	*	9/1982	Sertich et al.	.....	D24/146
D384,743	S	*	10/1997	Chia	.....	D24/133
D393,318	S	*	4/1998	Wolter	.....	D24/133
D405,232	S	*	2/1999	Stevens et al.	.....	D24/133

D441,447	S	*	5/2001	Hjertman et al.	.....	D24/150
D447,801	S	*	9/2001	Saitoh	.....	D24/146
D465,279	S	*	11/2002	Etter et al.	.....	D24/133
D483,153	S	*	12/2003	Jan	.....	D28/55

\* cited by examiner

*Primary Examiner*—Charles A. Rademaker

*Assistant Examiner*—Wan Laymon

(57) **CLAIM**

The ornamental design for an eyebrow beautifying machine,  
as shown and described.

**DESCRIPTION**

FIG. 1 is a perspective view of an eyebrow beautifying machine showing my new design.

FIG. 2 is a front elevational view thereof.

FIG. 3 is a rear elevational view thereof.

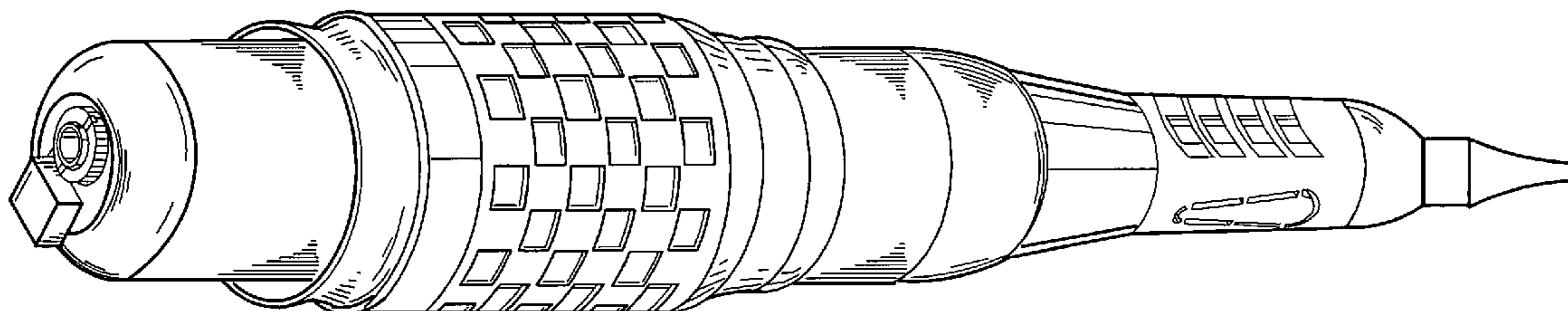
FIG. 4 is a left side view thereof.

FIG. 5 is a right side view thereof.

FIG. 6 is a top plan view thereof; and,

FIG. 7 is a bottom plan view thereof.

**1 Claim, 4 Drawing Sheets**



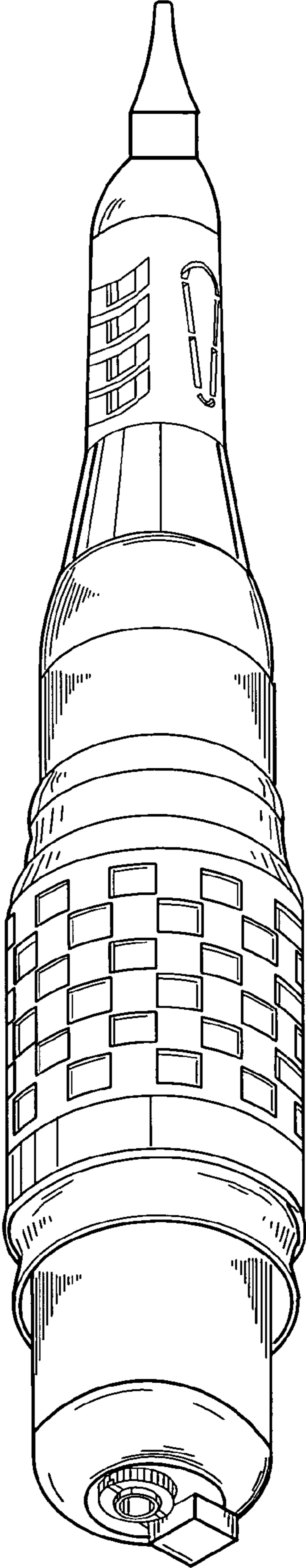


Fig. 1

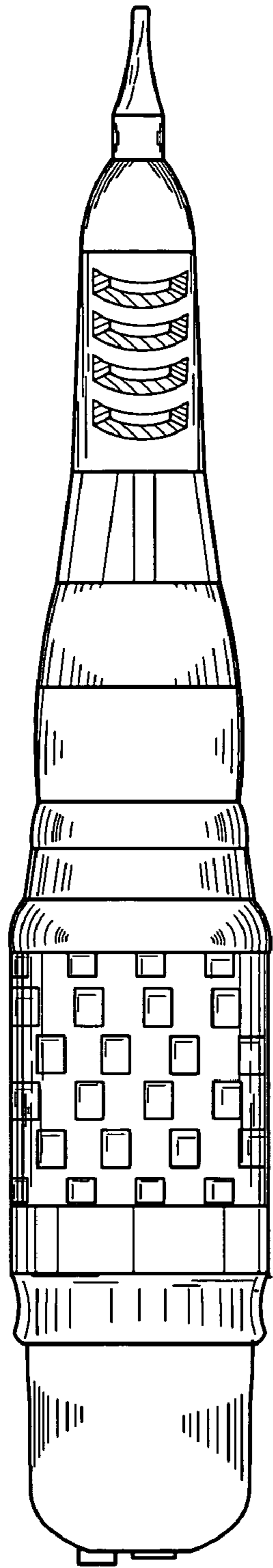


Fig. 2

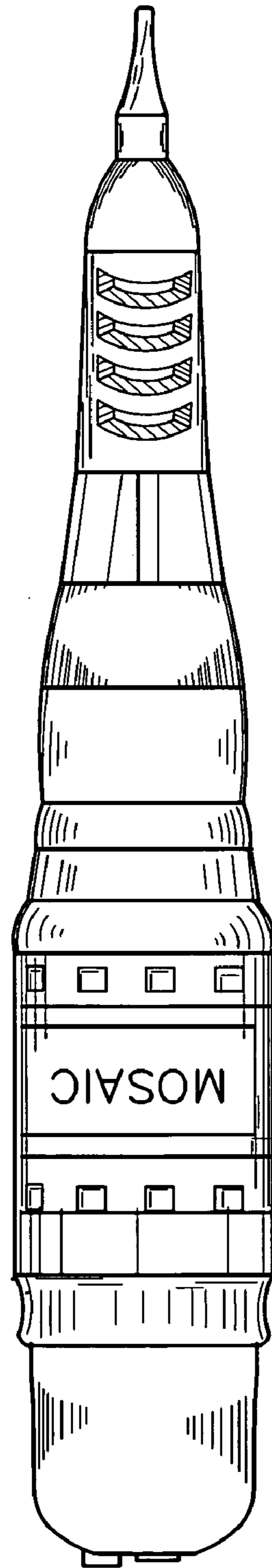


Fig. 3

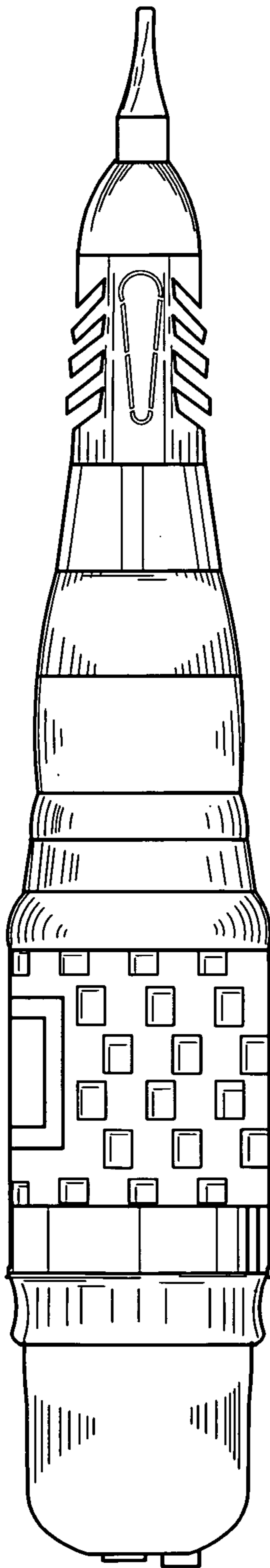


Fig. 4

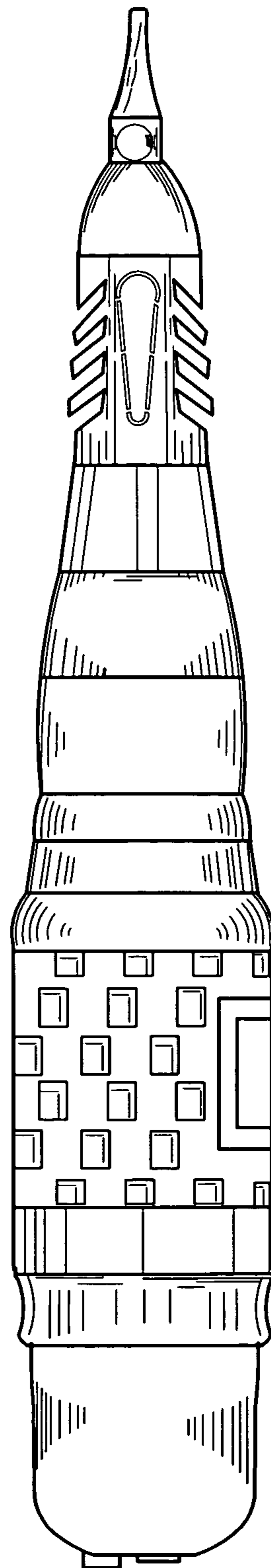


Fig. 5

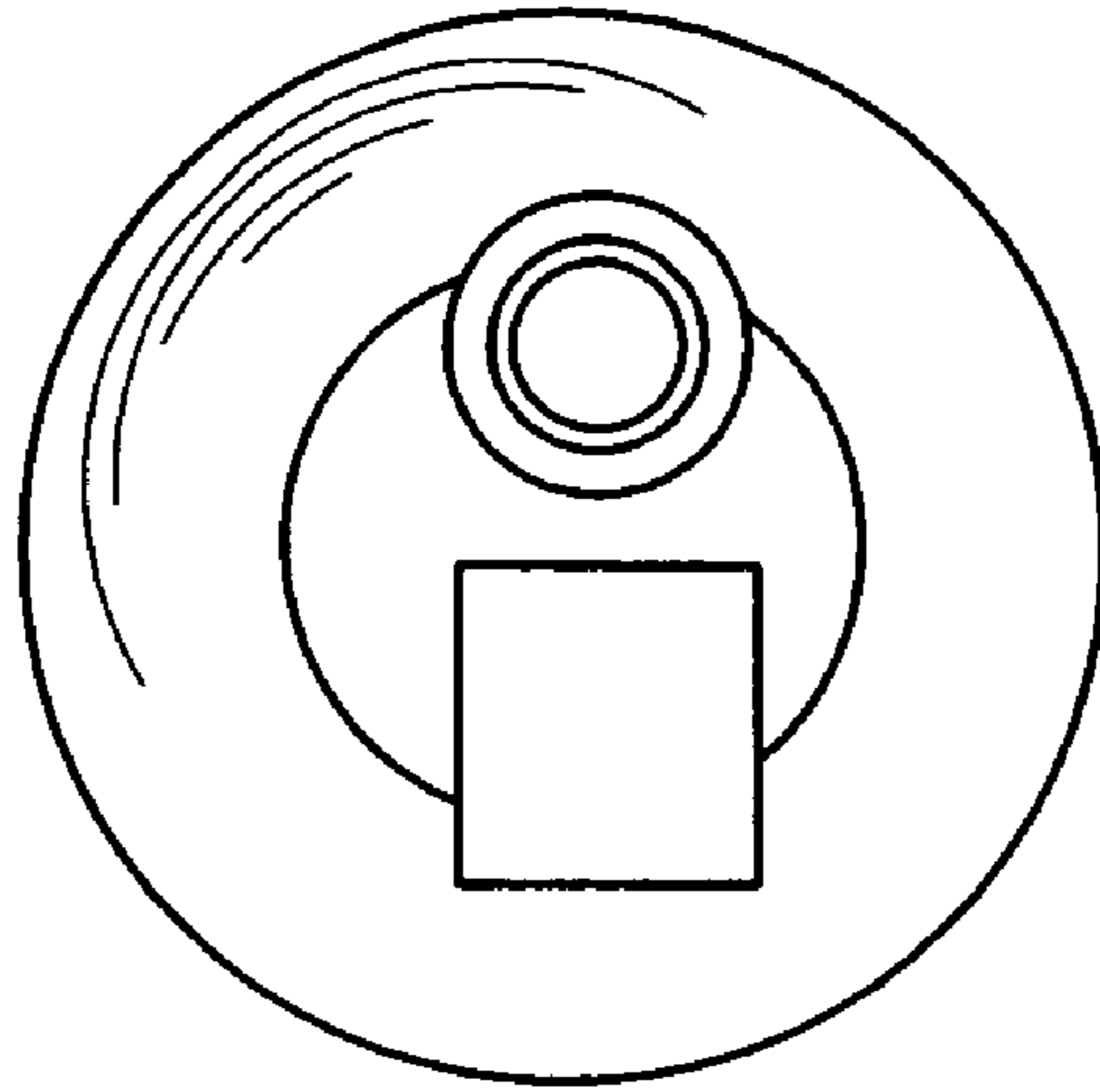


Fig. 6

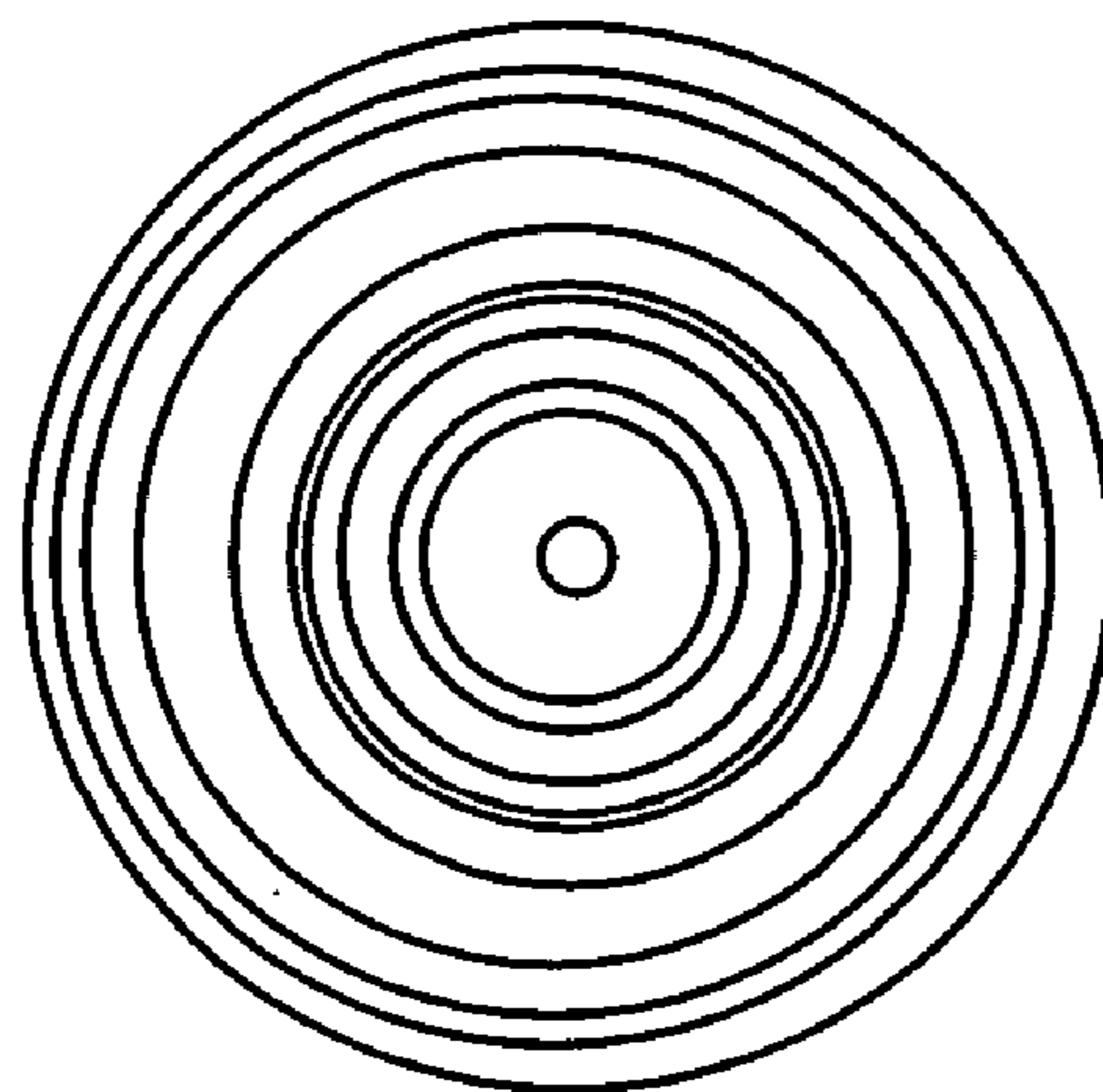


Fig. 7