



US00D568538S

(12) **United States Design Patent**  
**Rhoad et al.**

(10) **Patent No.:** **US D568,538 S**

(45) **Date of Patent:** **\*\* May 6, 2008**

(54) **SAFETY RAZOR HANDLE**

D389,272 S \* 1/1998 Ryu ..... D28/46  
D407,529 S \* 3/1999 May ..... D28/46

(75) Inventors: **Wes Rhoad**, Hamden, CT (US); **Jessica Jiang**, Guangzhou (CN)

\* cited by examiner

(73) Assignee: **Eveready Battery Company, Inc.**, St. Louis, MO (US)

*Primary Examiner*—Jennifer Rivard

(74) *Attorney, Agent, or Firm*—Michaud-Duffy Group LLP

(\*\*) Term: **14 Years**

(57) **CLAIM**

(21) Appl. No.: **29/291,422**

The ornamental design for the safety razor handle, as shown and described.

(22) Filed: **Aug. 27, 2007**

**DESCRIPTION**

(51) **LOC (8) Cl.** ..... **28-03**

(52) **U.S. Cl.** ..... **D28/48**

(58) **Field of Classification Search** ..... D28/44-54;  
30/30, 32, 34.05, 34.1, 34.2, 41-419, 526-527,  
30/532, 533, 537-540

See application file for complete search history.

FIG. 1 is a rear perspective view of the safety razor handle.

FIG. 2 is a front perspective view of the safety razor handle.

FIG. 3 is a rear elevation view of the safety razor handle.

FIG. 4 is a front elevation view of the safety razor handle.

FIG. 5 is a left view of FIG. 4.

FIG. 6 is a right view of FIG. 4.

FIG. 7 is a lower end view of FIG. 4; and,

FIG. 8 is an upper end view of FIG. 4.

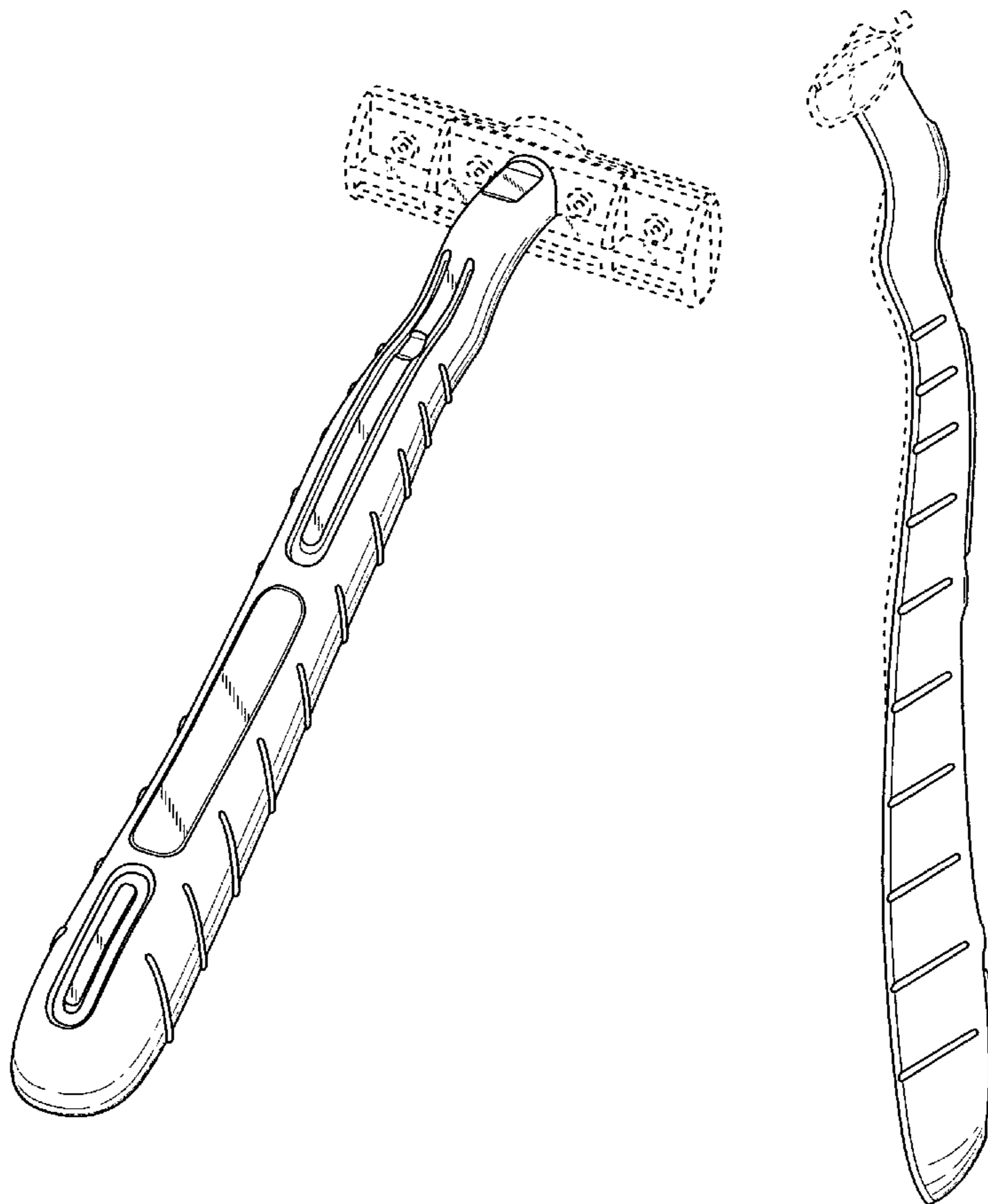
The broken lines are shown for illustrative purposes only and form no part of the claimed design.

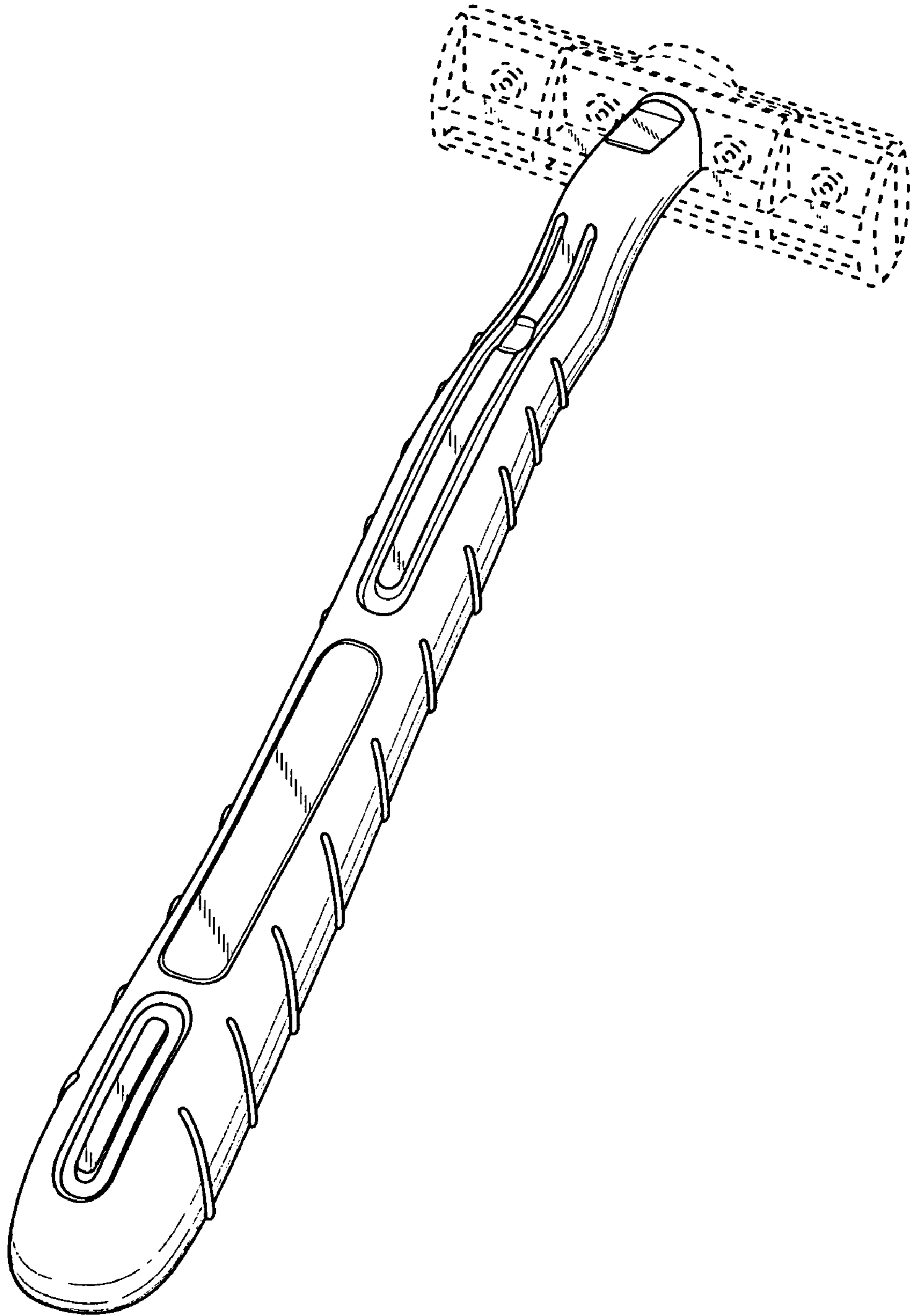
(56) **References Cited**

U.S. PATENT DOCUMENTS

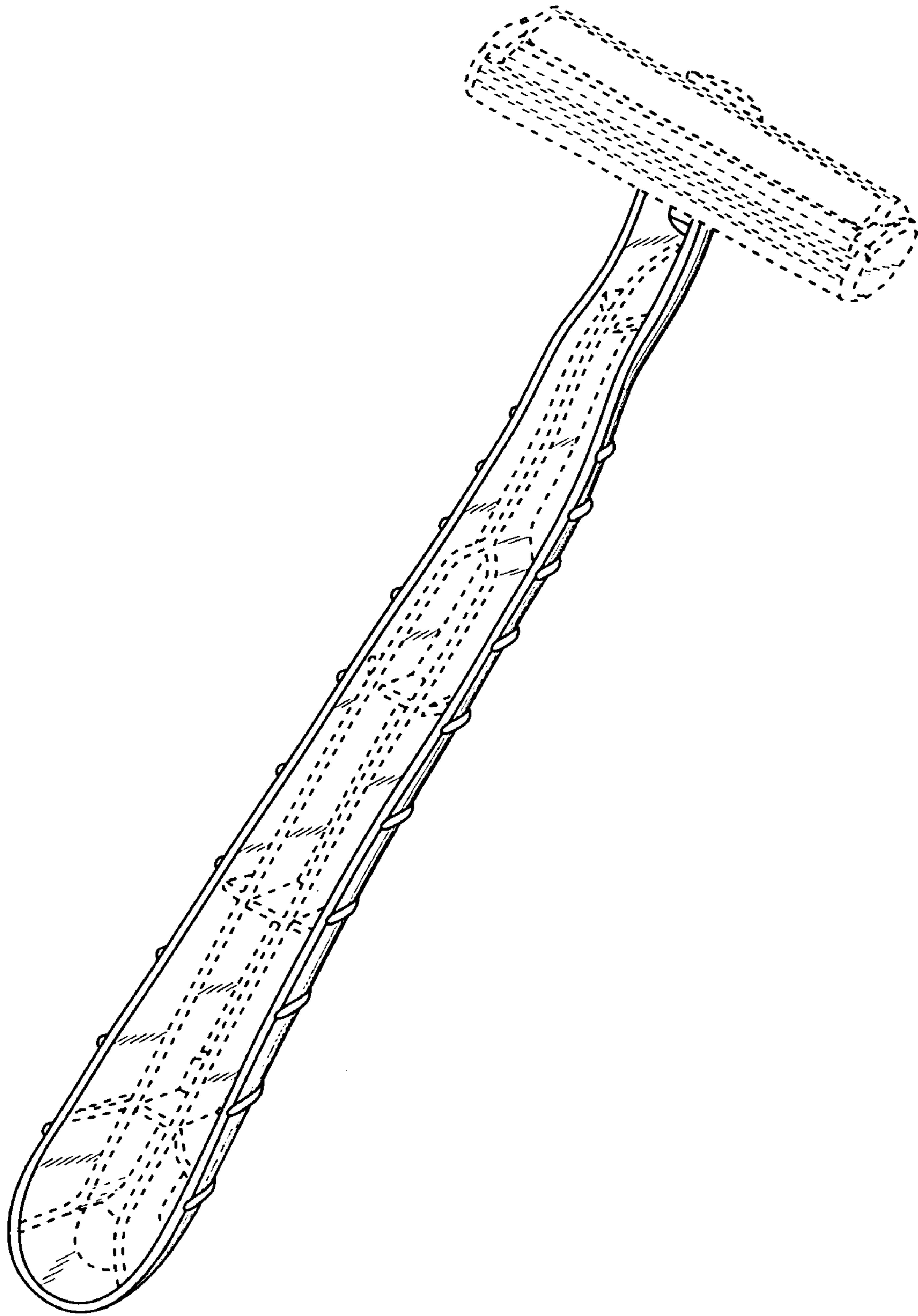
D254,692 S *	4/1980	Del Re	.....	D28/46
D260,303 S *	8/1981	Wordtmann	.....	D28/46
D279,824 S *	7/1985	Halm	.....	D28/48
5,031,319 A *	7/1991	Althaus et al.	.....	30/526
5,421,286 A *	6/1995	McLean	.....	30/41.7

**1 Claim, 6 Drawing Sheets**

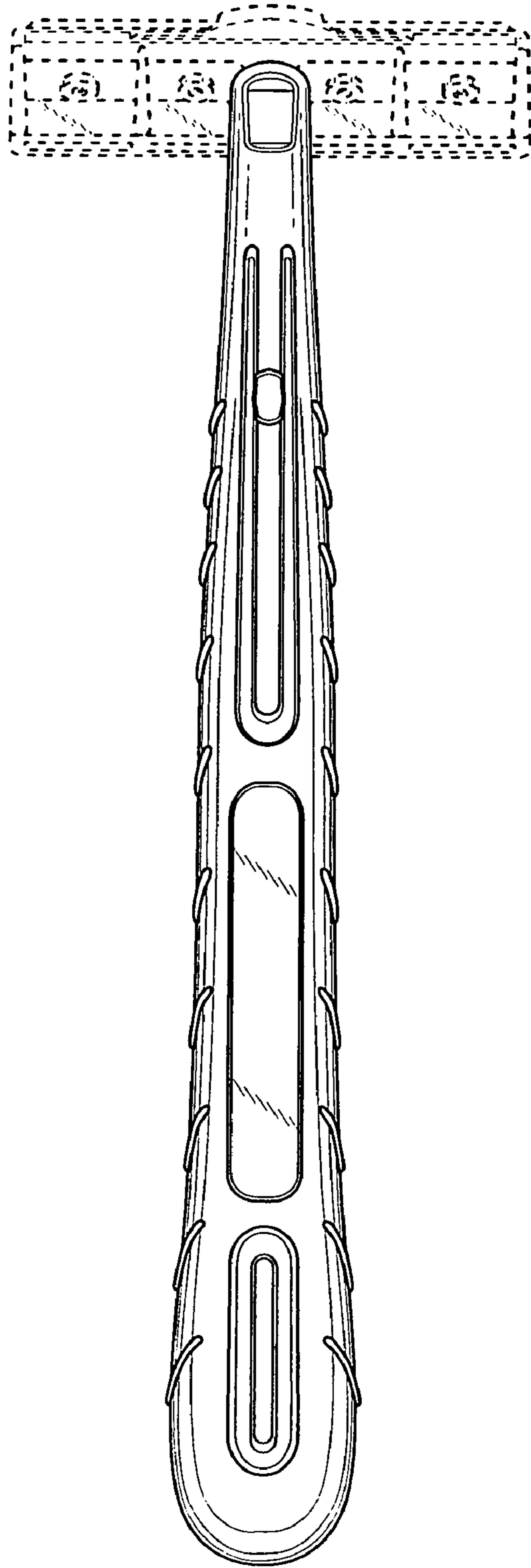




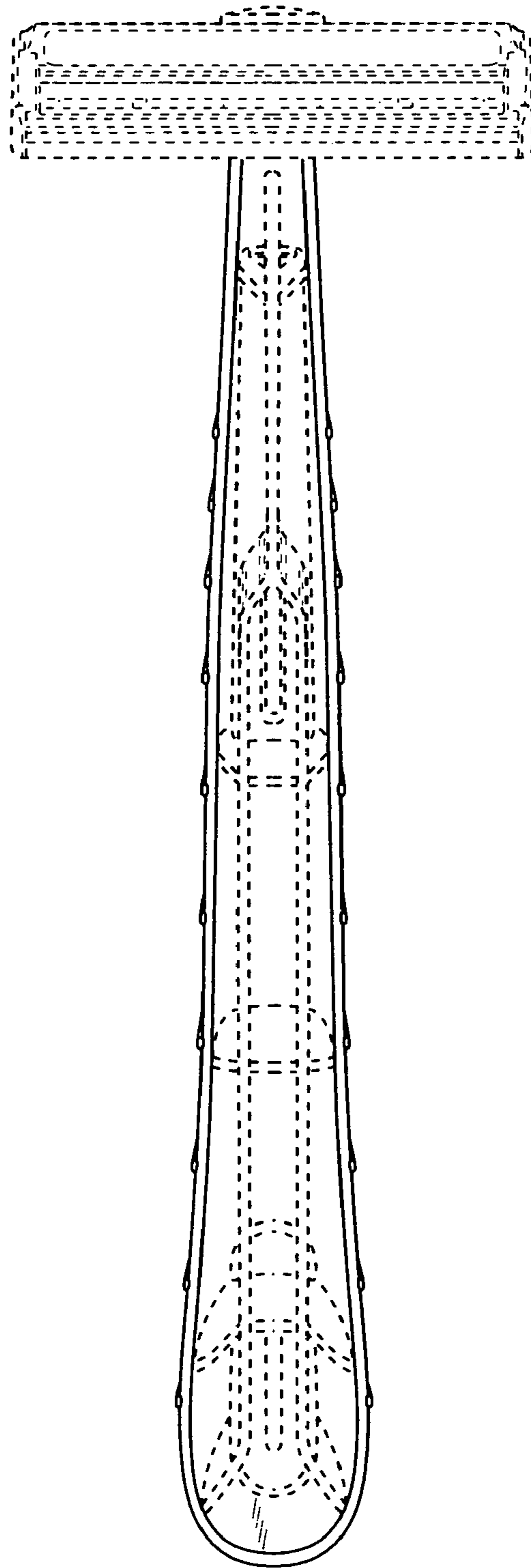
**Fig. 1**



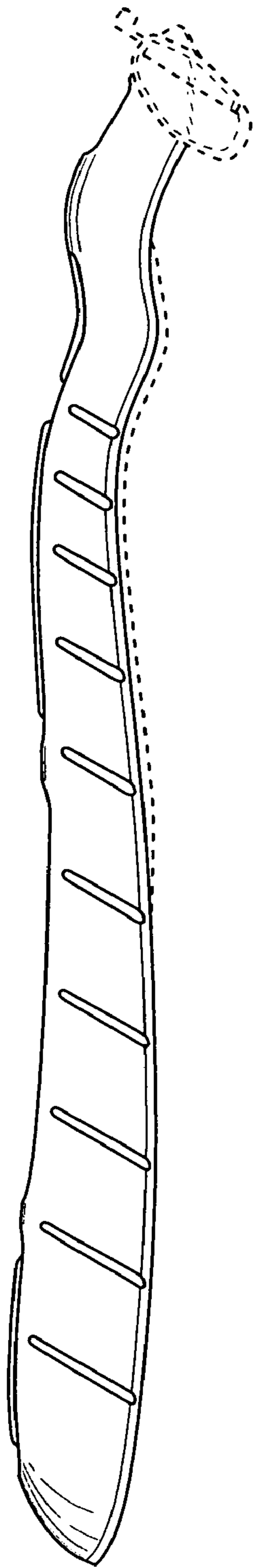
**Fig. 2**



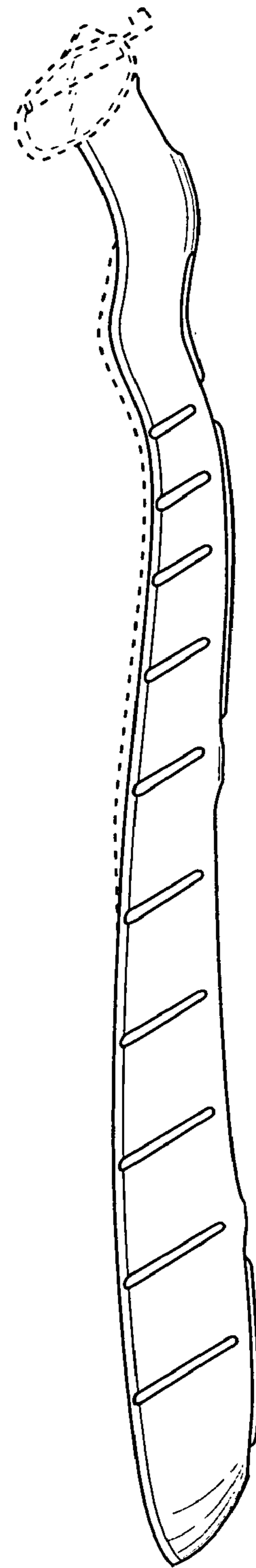
**Fig. 3**



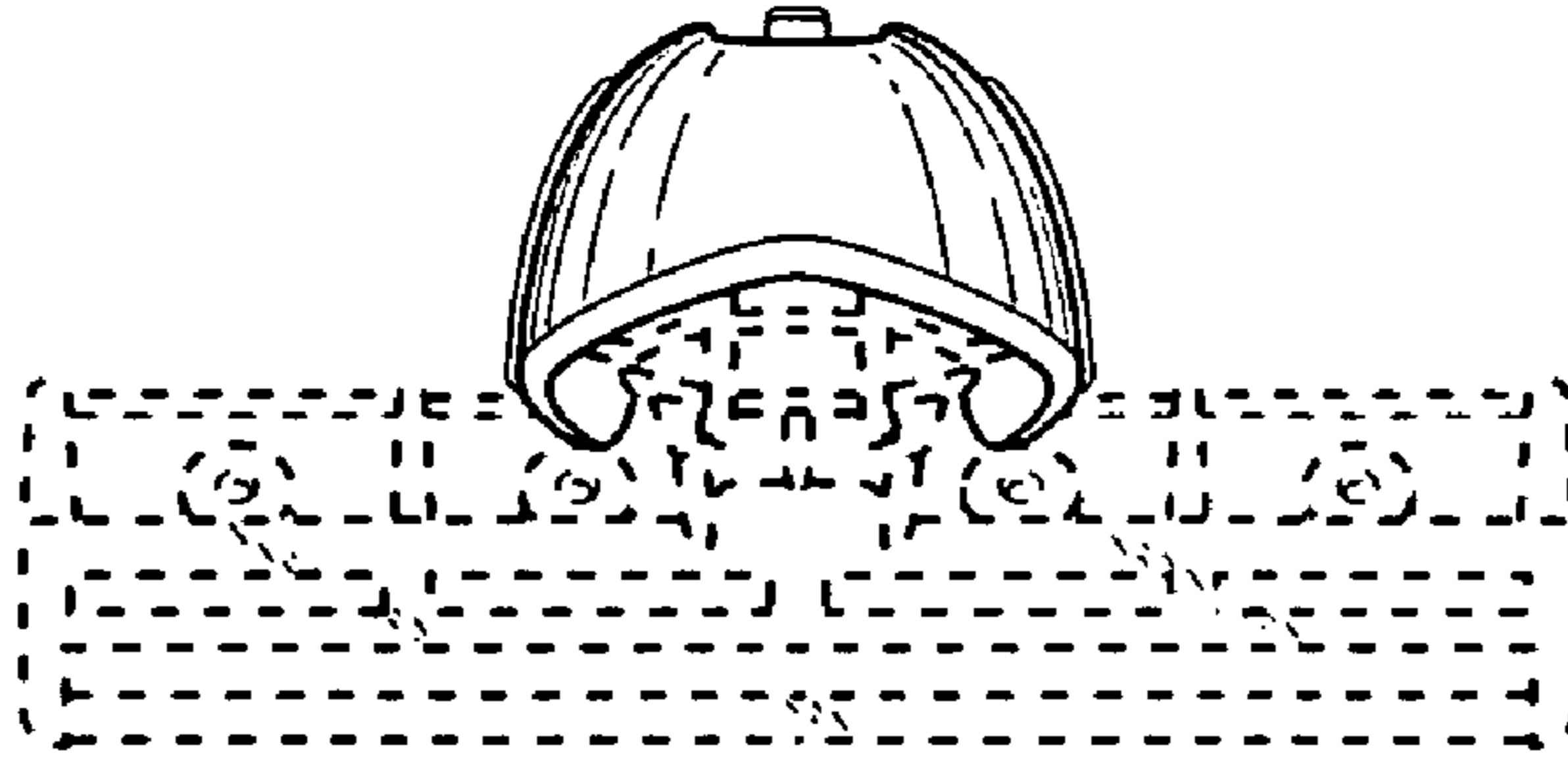
**Fig. 4**



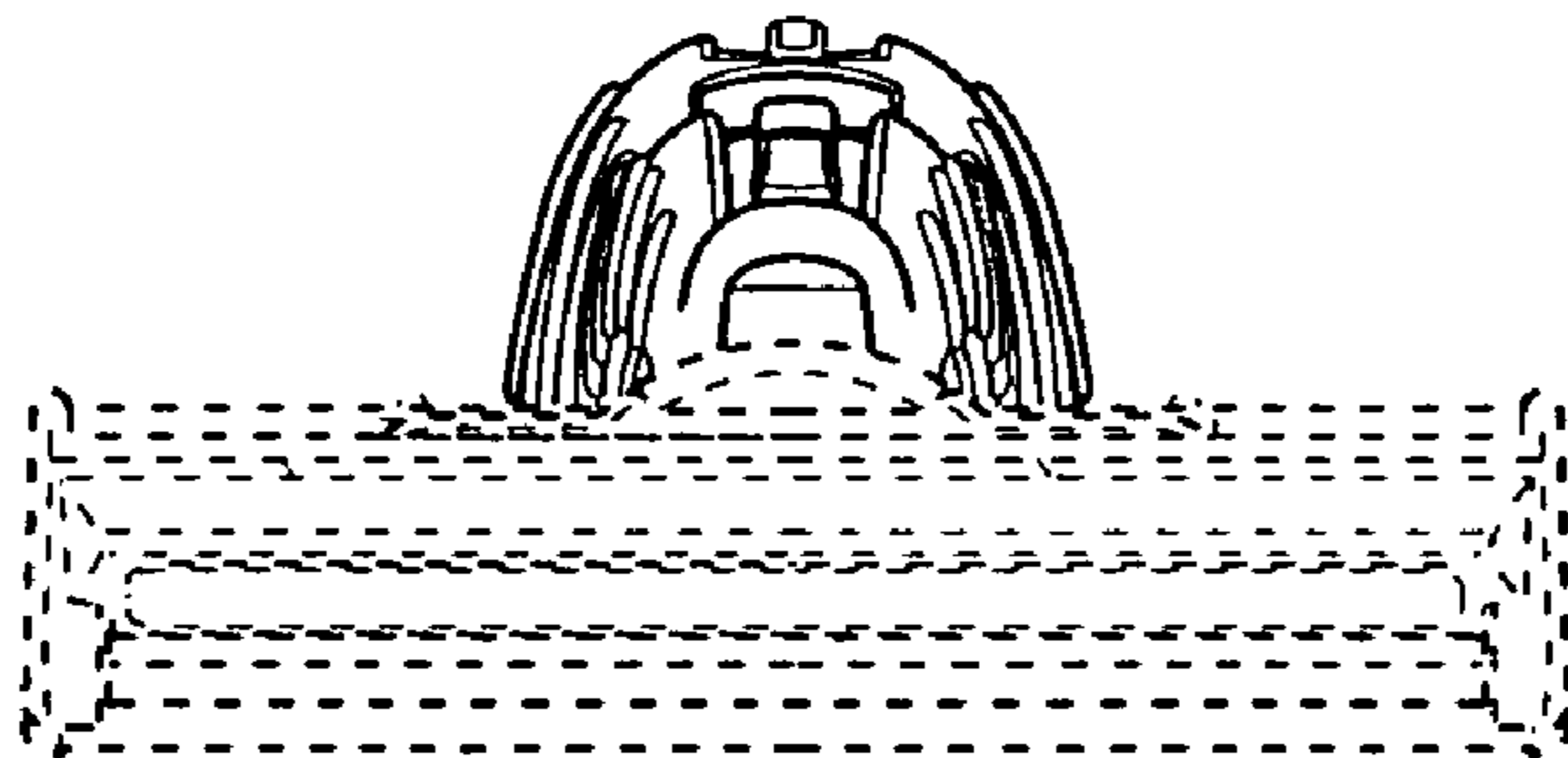
**Fig. 5**



**Fig. 6**



***Fig. 7***



***Fig. 8***